



Multistacker
Brouwer Type 1576
Harvester



Edition 02/08

SECTIE I - zonder keuze

00.23-1102	Transportband Aandrijving Main conveyor
00.23-1103	Transportband Geleiding Main conveyor
00.23-1104	Middenas Main conveyor
00.23-1105	4" Rol aandrijving Main conveyor
00.23-1106	Span as Main conveyor
00.23-1107	Aandrijving oprol conveyor Main conveyor
00.23-1108	Snijmes aandrijving Snijkop
00.23-1109	Floating head Frame Snijkop
00.23-1110	Afhakmes aandrijving Snijkop
00.23-1111	Mesarm en Dieptecontrol Snijkop
00.23-1112	Afhakmes en rol Snijkop
00.23-1113	Bevestiging Mainframe Main conveyor
00.23-1120	Snijkop 1576-16" Multistacker Snijkop
00.23-1108	Snijmes aandrijving Snijkop
00.23-1109	Floating head Frame Snijkop
00.23-1110	Afhakmes aandrijving Snijkop
00.23-1112	Afhakmes en rol Snijkop
00.23-1111	Mesarm en Dieptecontrol Snijkop
00.23-1153	Frontborstel vast op snijkop Brouwer
00.100-0201	Ringborstel Aslengte = 685 40cm /bt.006680
00.23-1313	Autosteer Brouwer Compleet tbv Multistacker
00.23-1310	Autosteer op fusee brouwer
00.23-1312	Autosteer op snijkop brouwer
21.11300	Hydr. Flap-adjuster
21.11562	Aandrukrollen Lang HYTEK 110
21.11670	Onderrol Startgate

SECTIE II - Lijst met Opties

Coulterkit

00.100-0500	10 inch rol met kouterschijven
00.100-0501	8 inch rol met kouterschijven

Starter Tray

00.36-0100	Starter Tray. Verstelbaar
00.36-0201	Starter Tray Brouwer

Beschermkap (Cabine/Zeildak)

00.23-1117	Beschermkap aandr. zeildak Main conveyor
00.23-1118	Beschermkap aandr. cabine Main conveyor

Oprolband

00.21-1125	Oprolband Rubber
00.21-1130	Oprolband Mintex

Einde



SECTION I - Core Assembly:

- 00.23-1102 Drive Line Main Conveyor
- 00.23-1103 Support Main Conveyor
- 00.23-1104 Center shaft
- 00.23-1105 Driveshaft conveyor
- 00.23-1106 Tensioner Main Conveyor
- 00.23-1107 Drive Line Roll-up Conveyor.....
- 00.23-1108 Knife driving Cuttinghead
- 00.23-1109 Floating Head Frame
- 00.23-1110 Cutter Blade Drive
- 00.23-1111 Blade Arm & Depth control
- 00.23-1112 Cut off knife Cuttinghead
- 00.23-1113 Mounting brackets Main conveyor
- 00.23-1120 Cutter Head
- 00.23-1108 Knife driving Cuttinghead.....
- 00.23-1109 Floating Head Frame
- 00.23-1110 Cutter Blade Drive
- 00.23-1112 Cut off knife Cuttinghead.....
- 00.23-1111 Blade Arm & Depth control
- 00.23-1153 Fixed Front Brush on Brouwer Cutter Head
- 00.100-0201 Front Brush 40cm
- 00.23-1313 Autosteer
- 00.23-1310 Autosteer on fusee brouwer.....
- 00.23-1312 Autosteer on cutterhead brouwer.....
- 21.11300 Hydr. Flap Adjuster
- 21.11562 Roller
- 21.11670 Bottom Roll

SECTION II - Option Listings:

Coulterkit

- 00.100-0500 Coulter Kit 10 inch
- 00.100-0501 Coulterset 8 inch.....

Starter Tray

- 00.36-0100 Starter Tray, Adjustable
- 00.36-0201 Starter tray BROUWER

Guards (Cabin/Canopy)

- 00.23-1117 Guard for use with Canopy.....
- 00.23-1118 Guard for use with Cab.....

Roll-up Conveyor

- 00.21-1125 Roll-up Conveyor Rubber belt
- 00.21-1130 Roll-Up Conveyor Mintex.....

TEIL 1 - Standardgruppe:

00.23-1102	Getriebe Haubtriemen
00.23-1103	Führung Transportriemen
00.23-1104	Welle
00.23-1105	Antriebswelle transportriemen
00.23-1106	Spannwelle Haubtriemen
00.23-1107	Getriebe Aufrollriemen
00.23-1108	Messer Antrieb Schneidkopf.....
00.23-1109	Flex. Schneidkopfgestell
00.23-1110	Abhackmessergetriebe
00.23-1111	Messerarm & Tiefeeinstellung
00.23-1112	Abhackmesser Schneidkopf
00.23-1113	Befestigung Haubtriemengestell.....
00.23-1120	Schneidkopf
00.23-1108	Messer Antrieb Schneidkopf
00.23-1109	Flex. Schneidkopfgestell
00.23-1110	Abhackmessergetriebe
00.23-1112	Abhackmesser Schneidkopf.....
00.23-1111	Messerarm & Tiefeeinstellung
00.23-1153	feste Frontbürsten am Brouwer Schneidkopf
00.100-0201	Bürstenwalze 40cm
00.23-1313	Autosteer
00.23-1310	Autosteer auf Aschschenkel brouwer.....
00.23-1312	Autosteer auf Schneidkopf brouwer.....
21.11300	Hydr. Aufrollklappe
21.11562	Rolle
21.11670	Rolle Unten

TEIL 2 - Auswahlliste:

Koltersatz

00.100-0500	Koltersatz 10 inch
00.100-0501	Koltersatz 8 inch

Afrollgitter

00.36-0100	Aufrollgitter, Verstellbar
00.36-0201	Aufrollgitter BROUWER

Schutzhaube (Kabine/Plane)

00.23-1117	Schützhaube
00.23-1118	Schützhaube

Aufrollriemen

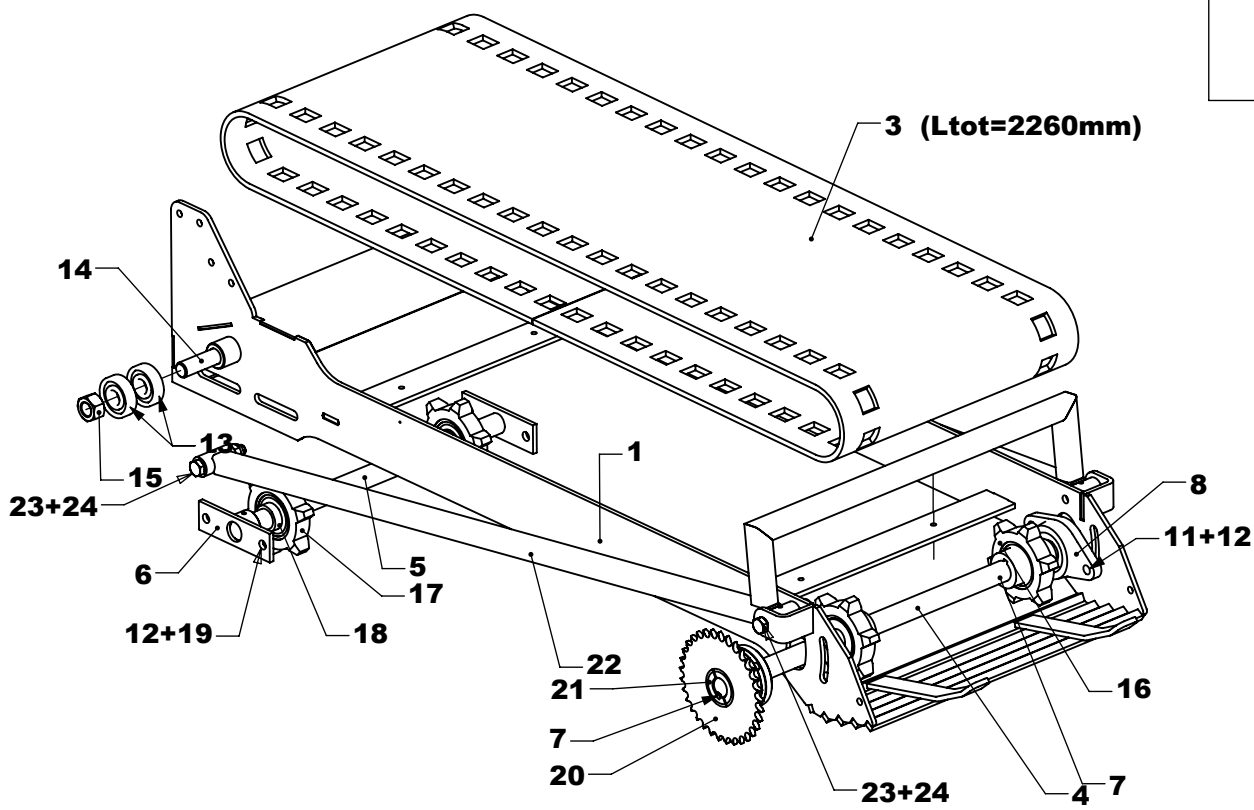
00.21-1125	Aufrollriemen Gummi
00.21-1130	Aufrollriemen Stahlgitter

Index (alphabetically)

Brouwer1576 Type Harvester.xls



Line	Article	Nederlands	English	Deutsch	Available
1	00.100-0201	Ringborstel Aslengte = 685 40cm /bt.006680	Front Brush 40cm	Bürstenwalze 40cm	
2	00.100-0500	10 inch rol met kouterschijven	Coulter Kit 10 inch	Koltersatz 10 inch	
3	00.100-0501	8 inch rol met kouterschijven	Coulterset 8 inch	Koltersatz 8 inch	
4	00.21-1125	Oprolband Rubber	Roll-up Conveyor Rubber belt	Aufrollriemen Gummi	
5	00.21-1130	Oprolband Mintex	Roll-Up Conveyor Mintex	Aufrollriemen Stahlgitter	
6	00.23-1102	Transportband Aandrijving Main conveyor	Drive Line Main Conveyor	Getriebe Haubtriemen	
7	00.23-1103	Transportband Geleiding Main conveyor	Support Main Conveyor	Führung Transportriemen	
8	00.23-1104	Middenas Main conveyor	Center shaft	Welle	
9	00.23-1105	4" Rol aandrijving Main conveyor	Driveshaft conveyor	Antriebswelle transportriemen	
10	00.23-1106	Span as Main conveyor	Tensioner Main Conveyor	Spannwelle Haubtriemen	
11	00.23-1107	Aandrijving oprol conveyor Main conveyor	Drive Line Roll-up Conveyor	Getriebe Aufrollriemen	
12	00.23-1108	Snijmes aandrijving Snijkop	Knife driving Cuttinghead	Messer Antrieb Schneidkopf	
13	00.23-1109	Floating head Frame Snijkop	Floating Head Frame	Flex. Schneidkopfgestell	
14	00.23-1110	Afhakmes aandrijving Snijkop	Cutter Blade Drive	Abhackmessergetriebe	
15	00.23-1111	Mesarm en Dieptecontrol Snijkop	Blade Arm & Depth control	Messerarm & Tiefeeinstellung	
16	00.23-1112	Afhakmes en rol Snijkop	Cut off knife Cuttinghead	Abhackmesser Schneidkopf	
17	00.23-1113	Bevestiging Mainframe Main conveyor	Mounting brackets Main conveyor	Befestigung Haubtriemengestell	
18	00.23-1117	Beschermkap aandr. zeildak Main conveyor	Guard for use with Canopy	Schützhaube	
19	00.23-1118	Beschermkap aandr. cabine Main conveyor	Guard for use with Cab	Schützhaube	
20	00.23-1120	Snijkop 1576-16" Multistacker Snijkop	Cutter Head	Schneidkopf	No drawing
21	00.23-1153	Frontborstel vast op snijkop Brouwer	Fixed Front Brush on Brouwer Cutter Head	feste Frontbürsten am Brouwer Schneidkopf	
22	00.23-1310	Autosteer op fusee brouwer	Autosteer on fusee brouwer	Autosteer auf Aschschenkel brouwer	
23	00.23-1312	Autosteer op snijkop brouwer	Autosteer on cutterhead brouwer	Autosteer auf Schneidkopf brouwer	
24	00.23-1313	Autosteer Brouwer Compleet tbv Multistacker	Autosteer	Autosteer	No drawing
25	00.36-0100	Starter Tray. Verstelbaar	Starter Tray, Adjustable	Aufrollgitter, Verstellbar	
26	00.36-0201	Starter Tray Brouwer	Starter tray BROUWER	Aufrollgitter BROUWER	
27	21.11300	Hydr. Flap-adjuster	Hydr. Flap Adjuster	Hydr. Aufrollklappe	
28	21.11562	Aandrukrollen Lang HYTEK 110	Roller	Rolle	
29	21.11670	Onderrol Startgate	Bottom Roll	Rolle Unten	



*) : See table sheet 2

24	4	BT.F5012	Nylon Locknut 1/2	Lock Nut	Sicherungsmutter	
23	4	BT.F5217	Kapbout 1/2x3	Hex. Bolt 1/2x3	Hex. Bolzen 1/2x3	
22	1	21.113021	Hulpframe Oprolband	Frame	Gestell	
21	1	BT.D3006	Browning Klembus 1"	Browning Lock bush 1"	Klembüchse 1"	
20	1	BT.D1419	Sprocket 40p32	Chain sprocket	Kettenrolle	
19	4	BT.F4207	Bout 7/16x 1 1/4	Bout 7/16x 1 1/4	Bout 7/16x 1 1/4	933716114UNC
18	2	BT.B2022	Lager	Bearing Idler	Lager	
17	2	BT.014268	Conveyor Belt Drive Sprocket	Gear	Zahnrad	
16	2	BT.A03186	Drive Sprocket Assy	Drive Sprocket Assy	Zahnrad Mit Lager	
15	2	BT.64229-07	Locknut	Nut	Mutter	
14	2	BT.90-1228	Bout 3/4 X 3 1/2	Bolt	Bolzen	Bt.F7219
13	4	BT.B2048	Ball Bearing 3/4"	Ball Bearing	Ball Bearing	
12	8	BT.64229-04	Locknut Nylon 7/16-14	Nut	Mutter	
11	4	BT.90-0712	Bout 7/16x1-1/2	Bolt	Bolzen	
8	2	BT.55-FB23016	Flenslager 1" (BT.B0110)	Bearing	Flanschlager 1"	
7	3	BT.124424	Key 1/4 X 1/4 X 1 1/2	Key 1/4x1/4x 1 1/2	Passfeder	Spie = 6.35x6.35 -38.1
6	1	BT.015429	Mount shaft	Mounting Bracket	Welle	
5	1	BT.014580	Idler Shaft	Idler Shaft	Welle	
4	1	BT.002609	Roll Up Drive Shaft	Roll Up Drive Shaft	Aufrollwelle	
3	2	BT.A02008	Rubber Roll Up Belt New Style	Conveyor belt Rubber	Transportriemen Gummi	Nodig Shaft 002609(was 200535)
1	1	21.11302	Frame Oprolband Lang	Frame Roll-up	Gestell	Tbv Hydr. Flapadj.
Item	QTY	Reference	Omschrijving	Description	Benennung	Opmerking

Trilo BV
Astronaut 40
3824 MJ AMERSFOORT
the Netherlands

Oprolband kit
Rubber

Aufrollriemen
Gummi

Roll-up Conveyor
Rubber belt



00.21-1125

Sheet: 1/2 DWG: 021.1125-D 0

Tel +31(0)33 456 44 32
Fax +31(0)33 456 44 33
E-mail: Info@trilo.com
www.trilo.com

AVAILABLE SPROCKETS					
H BUSHINGS			P BUSHINGS		
Part nr.		Description	Part nr.		Description
D1401		40H15	D1443	s/o	40P24
D1402		40H16	D1441		40P28
D1403		40H17	D1442	s/o	40P29
D1404		40H18	D1417		40P30
D1405		40H19	D1418		40P31
D1406		40H20	D1419		40P32
D1407		40H21	D1420		40P33
D1408		40H22	D1421		40P34
D1409		40H23	D1422	s/o	40P35
D1410		40H24	D1423		40P36
D1411		40H25	D1424		40P37
D1412	s/o	40H26	D1425	s/o	40P38
D1413		40H27	D1426	s/o	40P39
D1414		40H28	D1427		40P40
D1415		40H29	D1428		40P41
D1416		40H30	D1429	s/o	40P42
			D1431		40P44
D1601	s/o	50H15	D1432		40P45
D1619	s/o	50H18	D1444	n/a	40P46
D1701	s/o	60H15	D1433		40P47
			D1434		40P48
			D1445	n/a	40P49
			D1435		40P50
			D1439		40P51
			D1440	s/o	40P52
			D1446	n/a	40P53
			D1436		40P54
			D1437		40P55
			D1438		40P56
			15443		40P43
			D1604	s/o	50P22
			D1606	s/o	50P24
			D1612	s/o	50P30
			D1618	s/o	50P23
			D1706	s/o	60P24
			D1709		60P27
			D1712	s/o	60P30

S/O= Special Order

N/A = Not Available

SUBSTITUTIONS

D1101	sub	D1124
D1131	sub	D1103
D1430	sub	15443
D1602	sub	D1216
D1603	sub	D1216
D1605	sub	D1219
D1611	sub	D1201

Trilo BV
Astronaut 40
3824 MJ AMERSFOORT
the Netherlands

Tel +31(0)33 456 44 32
Fax +31(0)33 456 44 33
E-mail: Info@trilo.com
www.trilo.com

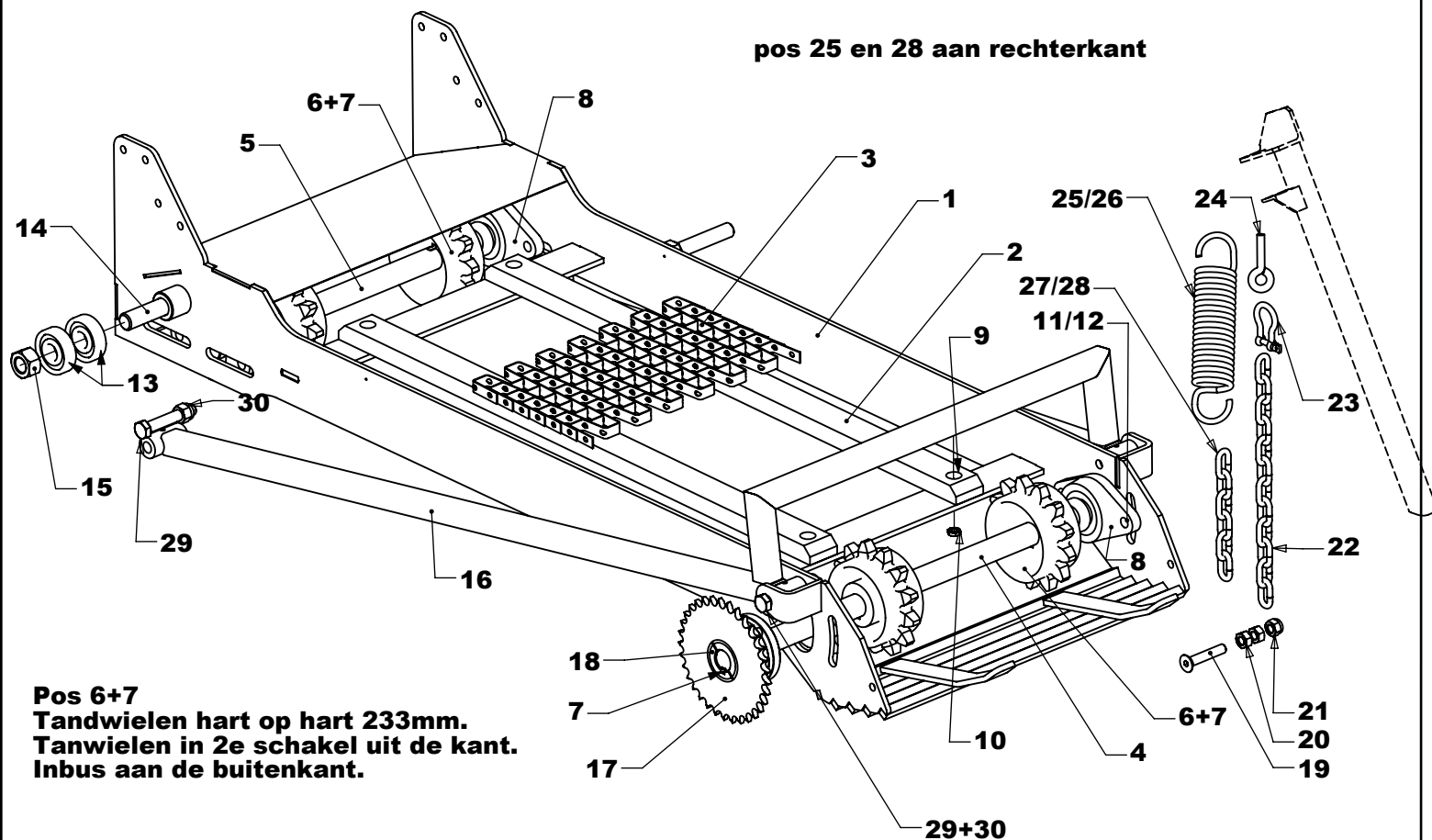
Oprolband kit
Rubber

Aufrollriemen
Gummi

Roll-up Conveyor
Rubber belt



00.21-1125




Trilo BV
 Astronaut 40
 3824 MJ AMERSFOORT
 the Netherlands

Tel +31(0)33 456 44 32
 Fax +31(0)33 456 44 33
 E-mail: Info@trilo.com
 www.trilo.com

Oprolband
 Mintex

Aufrollriemen
 Stahlgitter

Roll-Up Conveyor
 Mintex



00.21-1130

Sheet: 1/3 Dwg: 021.1130-D 0

*) : See sheet 3

30	4	BT.F5012	Nylon Locknut 1/2	Lock Nut	Sicherungsmutter	
29	4	BT.F5217	Kapbout 1/2x3	Hex. Bolt 1/2x3	Hex. Bolzen 1/2x3	
28	1	23.11770	Scheepsketting 6mm Verz	Chain	Kette	L= 10 schakels
27	1	23.11760	Scheepsketting 6mm Verz	Chain	Kette	L= 6 schakels
26	1	DE.4348018	Trekveer	Spring	Feder	ø40x4 L=145
25	1	BT.S2004	Veer	Tension Spring	Feder	Bt.41-047
24	2	KR.5808	Oogbout M 8 Verz.	Eye Bolt	Öse Bolzen	
23	2	KR.HA06	Harpsluiting 1/4"	Bow Shackle 1/4"	SchÄkel 1/4"	
22	2	23.11780	Scheepsketting 6mm Verz	Chain	Kette	L= 14 schakels
21	2	90.98510	Zelfborgende Moer M10	Self-locking nut M10	Selbstsichernde mutter M10	
20	4	90.93410	Moer M10	Nut	Mutter	
19	2	90.79911055	Plat Verz.Inbusbout M10x55	Recessed Inner Hex Bolt	Bolzen	
18	1	BT.83-H16	Klembus 1" H	Bushing 1"	Klembuchse 1"	
17	1	BT.D1419 *)	Sprocket 40p32	Chain sprocket	Kettenrolle	
16	1	21.113021	Hulpframe Oprolband	Frame	Gestell	
15	2	BT.64229-07	Locknut	Nut	Mutter	
14	2	BT.90-1228	Bout 3/4 X 3 1/2	Bolt	Bolzen	Bt.F7219
13	4	BT.B2048	Ball Bearing 3/4"	Ball Bearing	Ball Bearing	
12	8	BT.64229-04	Locknut Nylon 7/16-14	Nut	Mutter	
11	8	BT.90-0712	Bout 7/16x1-1/2	Bolt	Bolzen	
10	4	90.9368	Lage Moer M8 Verz.	Flat nut	Flachmutter	
9	4	90.7991830	Plat Verz.Inbusbout M8x30	Recessed Inner Hex Bolt	Bolzen	
8	4	BT.55-FB23016	Flenslager 1" (BT.B0110)	Bearing	Flanschlager 1"	
7	5	BT.124424	Key ¼ X ¼ X 1½	Key 1/4x1/4x 1 1/2	Passfeder	Sple = 6.35x6.35 -38.1
6	4	BT.001348	4" Tandwiel	4" Cast Sprocket	4"Zahnrad	
5	1	BT.001387	Roll Up Tray Rondselas	Roll Up Tray Idler Shaft	Welle	
4	1	BT.002609	Roll Up Drive Shaft	Roll Up Drive Shaft	Aufrollwelle	
3	1	21.11305	Mintex Band	Mintex Band	Mintex Band	12"
2	2	21.113025	Glijlat Oprolband	Sliding plate	Gleitpatten	
1	1	21.11302	Frame Oprolband Lang	Frame Roll-up	Gestell	Tbv Hydr. Flapadj.
Item	QTY	Reference	Omschrijving	Description	Benennung	Opmerking

Trilo BV
Astronaut 40
3824 MJ AMERSFOORT
the Netherlands

Oprolband
Mintex

Aufrollriemen
Stahlgitter

Roll-Up Conveyor
Mintex



00.21-1130

Sheet: 2/3 Dwg: 021.1130-D 0

Tel +31(0)33 456 44 32
Fax +31(0)33 456 44 33
E-mail: Info@trilo.com
www.trilo.com

AVAILABLE SPROCKETS					
H BUSHINGS			P BUSHINGS		
Part nr.		Description	Part nr.		Description
D1401		40H15	D1443	s/o	40P24
D1402		40H16	D1441		40P28
D1403		40H17	D1442	s/o	40P29
D1404		40H18	D1417		40P30
D1405		40H19	D1418		40P31
D1406		40H20	D1419		40P32
D1407		40H21	D1420		40P33
D1408		40H22	D1421		40P34
D1409		40H23	D1422	s/o	40P35
D1410		40H24	D1423		40P36
D1411		40H25	D1424		40P37
D1412	s/o	40H26	D1425	s/o	40P38
D1413		40H27	D1426	s/o	40P39
D1414		40H28	D1427		40P40
D1415		40H29	D1428		40P41
D1416		40H30	D1429	s/o	40P42
			D1431		40P44
D1601	s/o	50H15	D1432		40P45
D1619	s/o	50H18	D1444	n/a	40P46
D1701	s/o	60H15	D1433		40P47
			D1434		40P48
			D1445	n/a	40P49
			D1435		40P50
S/O= Special Order			D1439		40P51
			D1440	s/o	40P52
N/A = Not Available			D1446	n/a	40P53
			D1436		40P54
			D1437		40P55
SUBSTITUTIONS			D1438		40P56
D1101	sub	D1124	15443		40P43
D1131	sub	D1103			
D1430	sub	15443			
D1602	sub	D1216	D1604	s/o	50P22
D1603	sub	D1216	D1606	s/o	50P24
D1605	sub	D1219	D1612	s/o	50P30
D1611	sub	D1201	D1618	s/o	50P23
			D1706	s/o	60P24
			D1709		60P27
			D1712	s/o	60P30

Trilo BV
Astronaut 40
3824 MJ AMERSFOORT
the Netherlands

Oprolband
Mintex

Aufrollriemen
Stahlgitter

Roll-Up Conveyor
Mintex



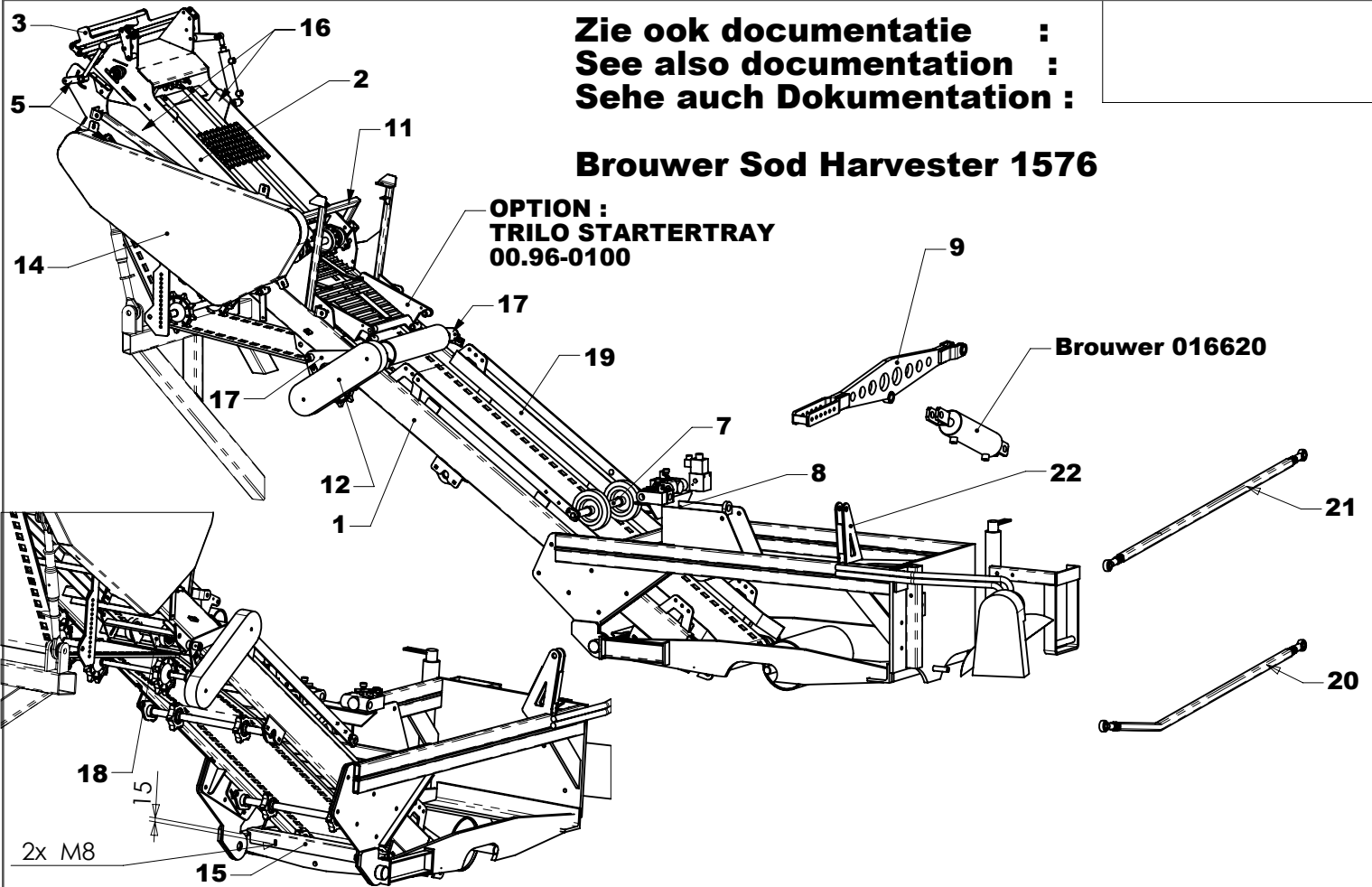
00.21-1130

Sheet: 3/3 Dwg: 021.1130-D 0

Tel +31(0)33 456 44 32
Fax +31(0)33 456 44 33
E-mail: Info@trilo.com
www.trilo.com

**Zie ook documentatie :
See also documentation :
Sehe auch Dokumentation :**

Brouwer Sod Harvester 1576



99	1	BT.5990297	Snijkop + Transportband	Mainconveyor With Cuttinghead	Transportband Mit Schneidkopf	Compleet. Tbv HYTEK
98	1	23.11180	Lift Safety	Lift Safety	"Hebe ""safety""	
22	1	23.11150	Steun Geleidingsstang Boven	Support	Stütze	
21	1	23.11130	Geleidingsstang Snijkop 1576	Draw Bar	Zugstange	Boven
20	1	23.11120	Geleidingsstang Snijkop 1576	Draw Bar	Zugstange	Onder
19	1	23.11270	Geleiders Set	Guiding Plates	Leitplatten	
18	1	21.11670	Onderrol Startgate	Underroll	Rolle Unten	
17	1	21.11650	Armset 4 Inch Roll	Lever 4 Inch Roll	Hebels	
16	1	21.11320	Oprolgeleiders Set	Roller Guide	Laufrolle	Verlengd
15	1	21.11750	Beschermkap Pivot Snijkop	Guard	Schutzhaube	
14	1	21.11741	Beschermkap Aandr. Oprolband	Guard	Schutzhaube	
12	1	21.11730	Beschermkap Aandr. 4 Inch Rol	Chain Covering	Ketten Belag	
11	1	21.113021	Hulpframe Oprolband	Frame	Gestell	
9	1	23.11100	Liftarm Snijkop	Lever	Hebel	
8	1	21.11140	Steun Regelventielen	Support	Stütze	
7	1	21.11562	Aandrukrollen Lang	Roller	Rolle	HYTEK 110
5	1	21.11400	Bedieningshevel Autosteer	Lever Autosteer On/off	Hebel	
3	1	21.11300	Hydr. Flap-adjuster	Hydr. Flap Adjuster	Hydr. Aufrollklappe	
1	1	23.11001	Frame Main-conveyor	Frame	Gestell	
Item	QTY	Reference	Omschrijving	Description	Benennung	Opmerking

Trilo BV
Astronaut 40
3824 MJ AMERSFOORT
the Netherlands

Tel +31(0)33 456 44 32
Fax +31(0)33 456 44 33
E-mail: Info@trilo.com
www.trilo.com

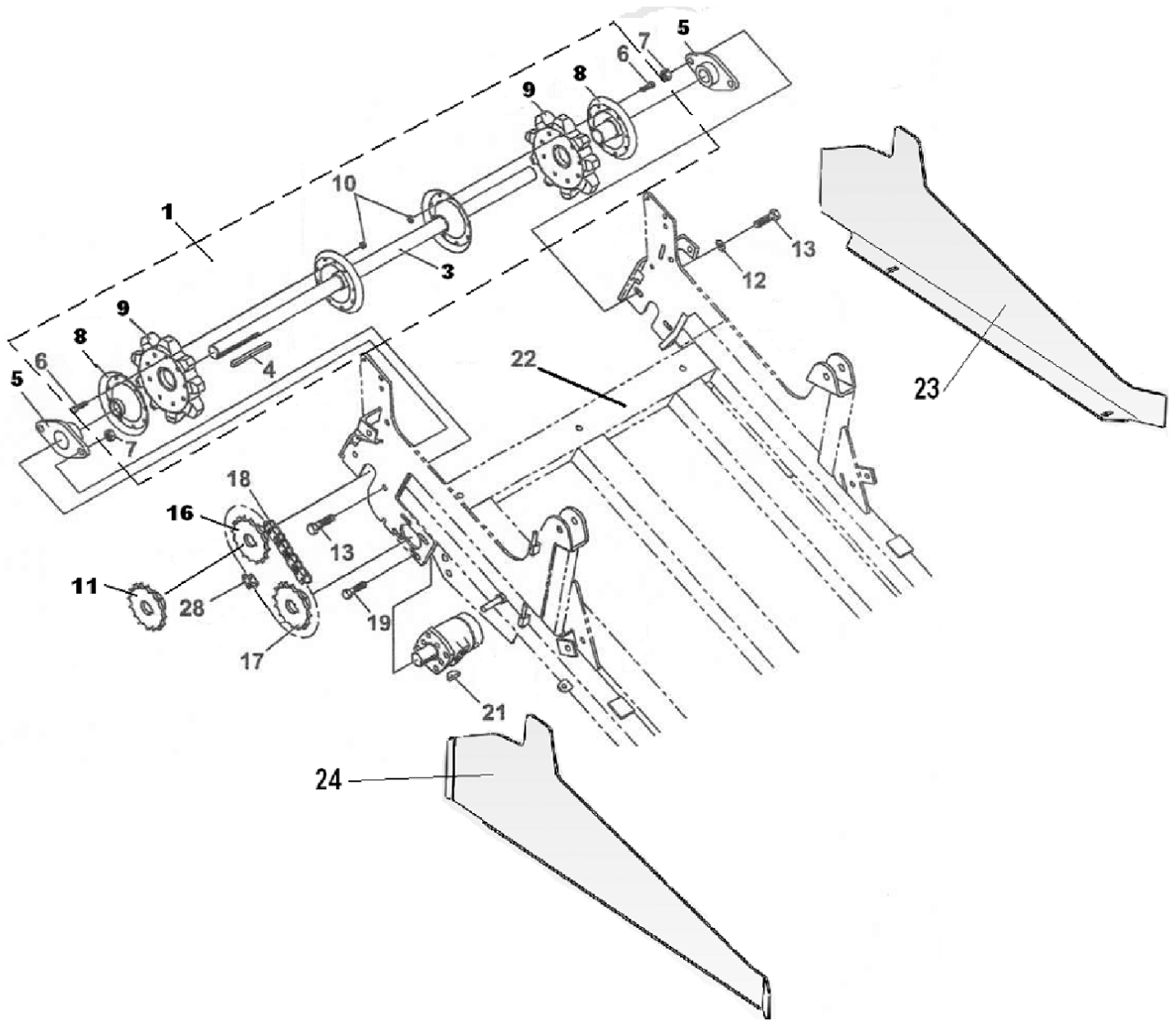
**Transportband Met Snijkop
i.c.m. zeildak**

**Transportband Mit Schneidkopf
Mainconveyor With Cuttinghead**



00.23-1100

Sheet: 1/1 Dwg: 023.1100-D 0



Trilo BV
 Astronaut 40
 3824 MJ AMERSFOORT
 the Netherlands

Transportband Aandrijving
 Main conveyor

Getriebe Haubtriemen

Drive Line Main Conveyor



00.23-1102

Sheet: 1/4 | DWG: 023.1100-D01

Tel +31(0)33 456 44 32
 Fax +31(0)33 456 44 33
 E-mail: Info@trilo.com
 www.trilo.com

*) = See sheet 3

**) = See sheet 4

28	1	KR.VE5838	Verb.Schakel 5/8" X 3/8"	Closing Link 5/8"	Kettenglied	
25	4	90.6031025	Slotbout M10x25	Carriage Bolt	Flachrundschraube	
24	1	21.11322	Oprolgeleider Rechts	Sod Guide Right	Sodeföhrungshalter Rechts	Verlengd
23	1	21.11321	Oprolgeleider Links	Sod Guide Left	Sodeföhrungshalter Links	Verlengd
22	1	23.11001	Frame Main-conveyor	Frame	Gestell	
21	1	BT.G8019	Woodruff Key 808	Woodruff Key 808	Passfeder	
19	4	BT.64139-24	Bolt-wlf 3/8-16x 1	Bolt-wlf 3/8-16 X 1 1/4	Bolzen	Bt.F3204
18	1	21.11715	Rollenketting 5/8"	Chain	Ketten	L=980
17	1	21.11702**)	Kettingwiel 5/8" 26t Ø1" Sp	Sprocket	Zahnrad	M8 Tappat
16	1	21.11710	Kettingwiel 5/8" 22t Ø1" Sp	Sprocket 5/8" 22t	Zahnrad 5/8"22z	M8 Tappat
13	4	90.9311040	Zeskantbout M10x40	Hex.Bolt M10x40	Schraube M10x40	
12	8	90.125A10	Sluitring M10	Washer M10	Unterlegscheibe M10	
11	1	BT.D1103*)	Tandwiel Asa 40 15t. 1"	Sprocket Asa 40,15 T	Zahnrad 15 Z	
7	4	90.98510	Zelfborgende Moer M10	Self-locking nut M10	Selbstsichernde mutter M10	
5	2	BT.B0110	Flenslager 1"	Bearing 1"	Lager 1"	Oud nr Bt.55-fb23016
4	1	BT.124458	Key ¼ X ¼ X 3 5/8	Key 1/4x1/4x 3 5/8	Passfeder 1/4x1/4x 3 5/8	Spie = 6.35x6.35 -92
1.10	18	BT.F1003	Borgmoer 1/4" UNC	"		
1.9	2	BT.83-053	Nylon Kettingwiel			
1.8	2	BT.D8001	Flens Nylon Tandwiel			
1.6	18	BT.64123-89	Bolt hex 1/4-20 X 3/4			
1.3	1	BT.014081	Shaft. Conveyor Drive			
1	1	BT.A03169	Drive Shaft Conveyor New Style	Drive Shaft Conveyor New Style	Antriebwelle Conveyor	
Item	QTY	Reference	Omschrijving	Description	Benennung	Opmerking

Trilo BV
Astronaut 40
3824 MJ AMERSFOORT
the Netherlands

Transportband Aandrijving
Main conveyor



Getriebe Haubtriemen

Drive Line Main Conveyor

00.23-1102

Sheet: 2/4

DWG: 023.1100-D01

Tel +31(0)33 456 44 32
Fax +31(0)33 456 44 33
E-mail: Info@trilo.com
www.trilo.com

AVAILABLE SPROCKETS					
FIXED BORE					
Part nr.		Description		Part nr.	Description
D1102		40x15Tx3/4		D1201	50x15Tx1
D1103		40x15Tx1		D1202	50x18Tx2
D1104		40x16Tx5/8		D1203	s/o 50x15Tx3/4
D1105		40x16Tx3/4		D1204	s/o 50x16Tx3/4
D1106		40x16Tx1		D1205	s/o 50x15Tx7/8
D1107		40x17Tx1		D1206	50x11Tx1
D1108		40x18Tx1		D1207	s/o 50x14Tx1
D1109		40x19Tx5/8		D1208	s/o 50x14Tx1 1/4
D1110		40x19Tx3/4		D1210	s/o 50x26Tx1 3/8
D1111		40x20Tx1		D1214	50x13Tx1
D1112		40x25Tx1		D1216	50x16Tx1
D1113		40x24Tx3/4		D1217	s/o 50x12Tx5/8
D1114	s/o	40x24Tx1		D1219	s/o 50x24Tx1
D1115	s/o	40x11Tx7/8			
D1116		40x28Tx1			
D1117		40x21Tx1		D1302	60x10Tx1
D1118		40x28Tx7/8		D1303	60x13Tx1
D1119		40x19Tx7/8		D1304	60x12Tx1
D1121		40x14Tx1/2			
D1122	s/o	40x60Tx3/4			
D1124		40x12Tx1		D1301	80x13Tx1
D1125		40x29Tx7/8			
D1126	s/o	40x14Tx5/8			
D1127	s/o	40x11Tx1/2			
D1128	s/o	40x21Tx7/8		S/O = Special Order	
D1129		40x24Tx7/8			
D1130		40x16Tx7/8			
D1132		40x22Tx1			
D1133		40x25Tx7/8			
D1134		40x14Tx7/8			
D1135	s/o	40x14Tx1			
D1137	s/o	40x32Tx3/4			
D1139	s/o	40x32Tx1 3/16			
D1141		40x10Tx3/4			

Trilo BV
Astronaut 40
3824 MJ AMERSFOORT
the Netherlands

Transportband Aandrijving
Main conveyor



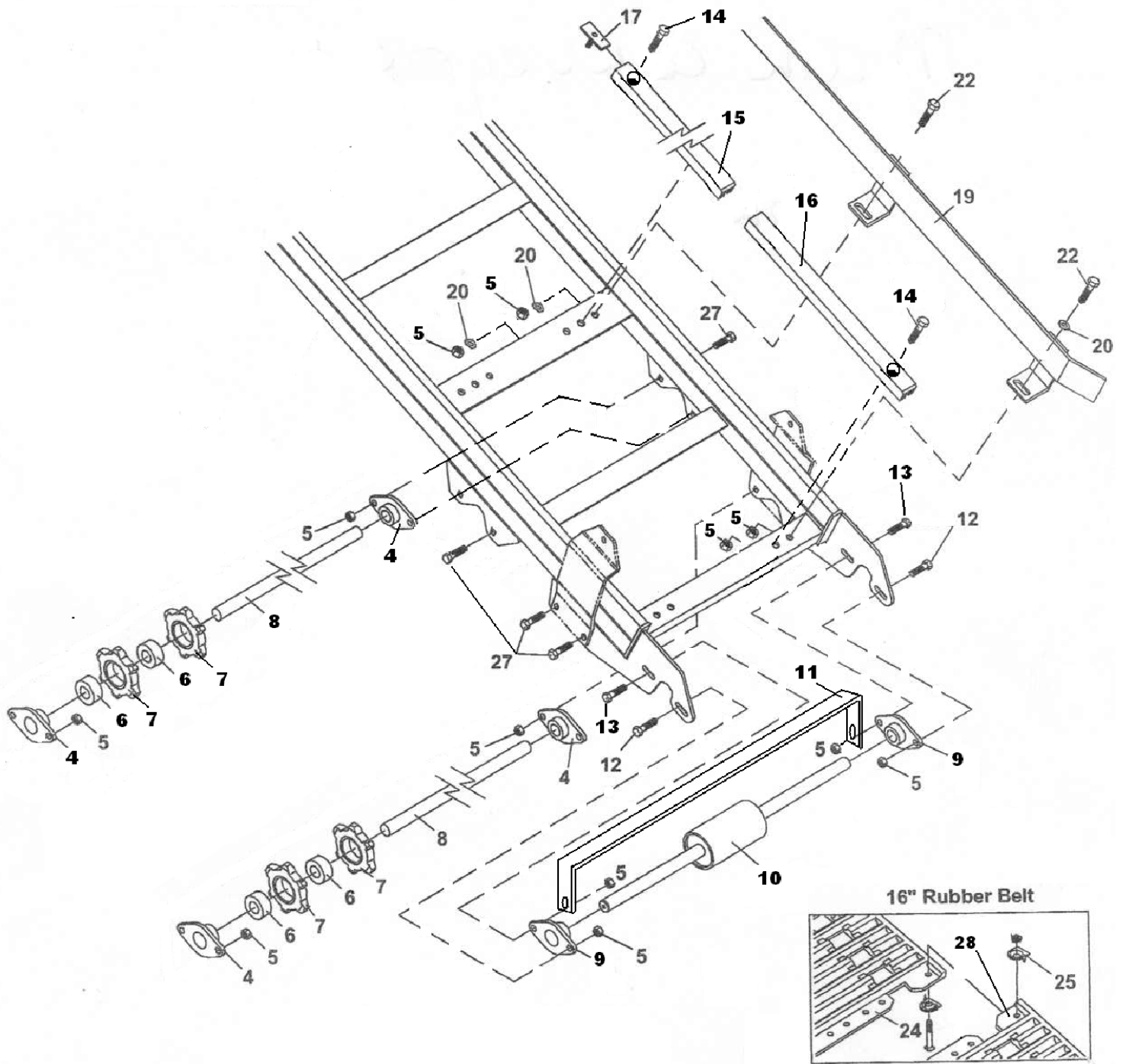
Getriebe Haubtriemen

Drive Line Main Conveyor

00.23-1102

Tel +31(0)33 456 44 32
Fax +31(0)33 456 44 33
E-mail: Info@trilo.com
www.trilo.com

Sheet: 3/4 DWG: 023.1100-D01



Trilo BV
 Astronaut 40
 3824 MJ AMERSFOORT
 the Netherlands

Transportband Geleiding
Main conveyor

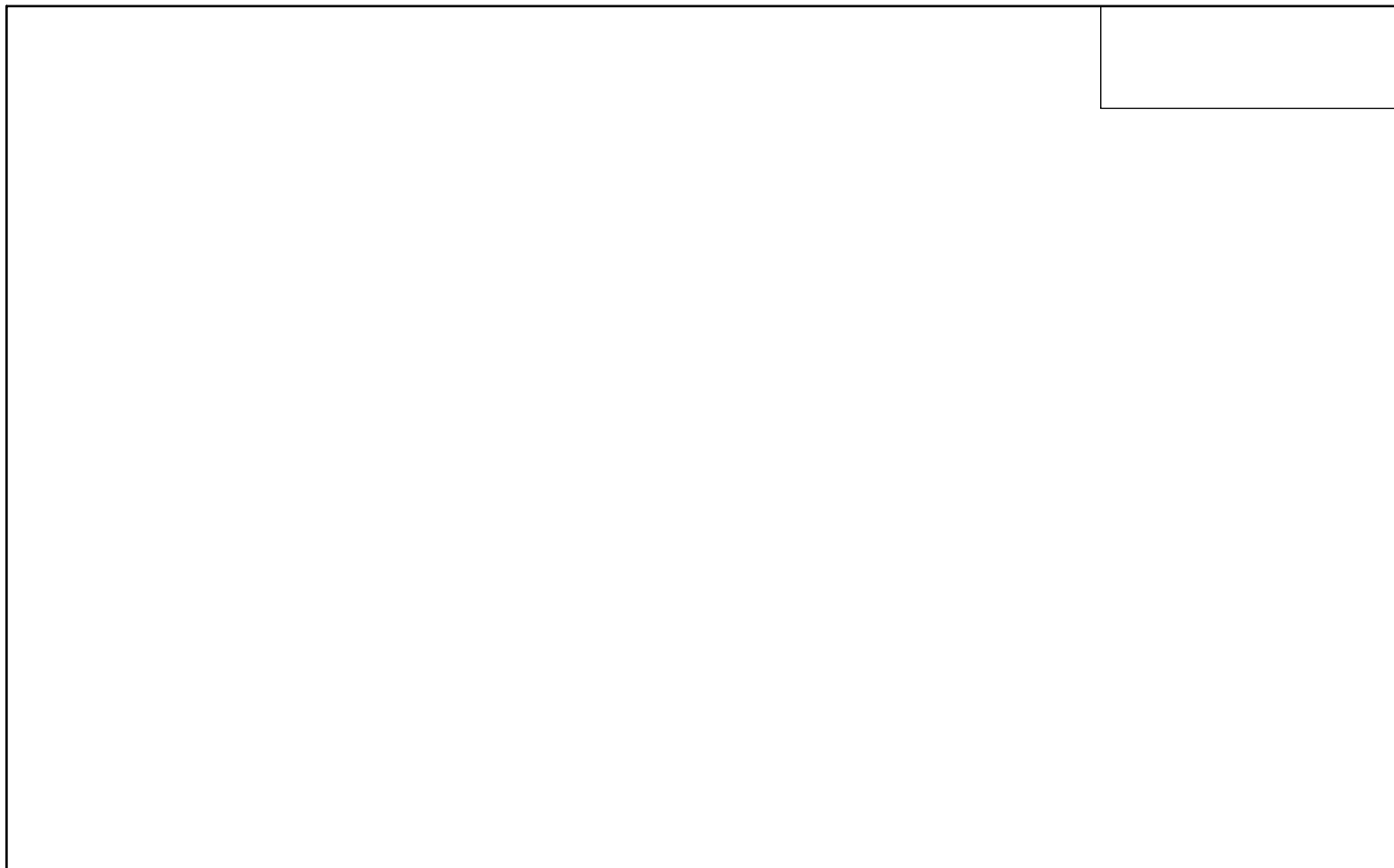


Führung Transportriemen

Support Main Conveyor

00.23-1103


Tel +31(0)33 456 44 32
 Fax +31(0)33 456 44 33
 E-mail: Info@trilo.com
 www.trilo.com



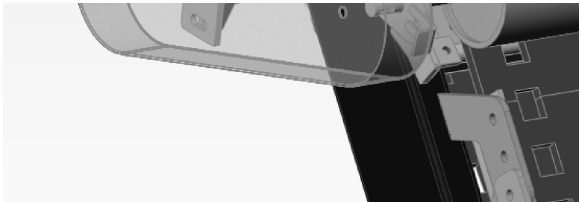
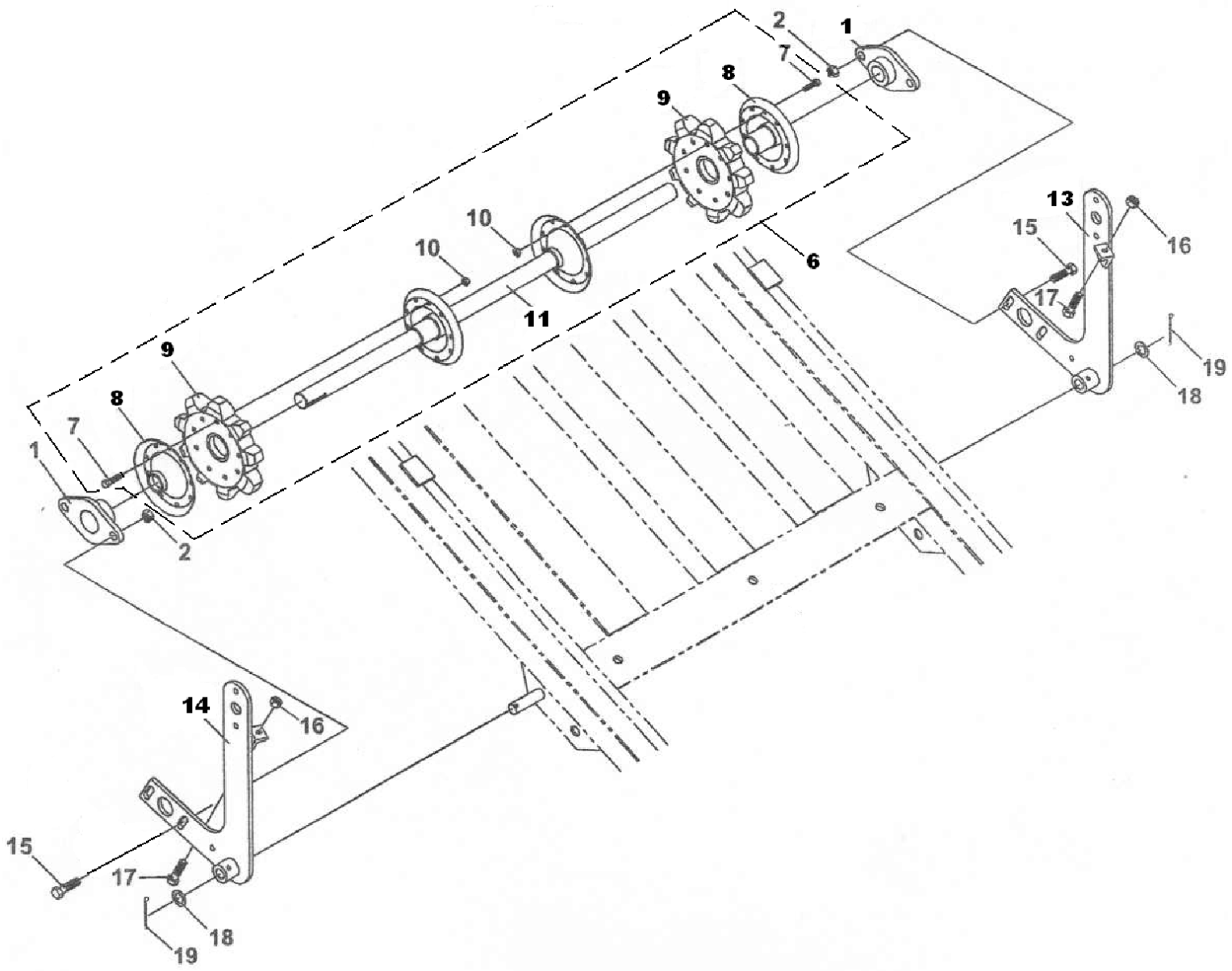
28	1	BT.002636	Belt 16"conveyor	Conveyor Belt	Transportriemen	
27	8	90.6031030	Slotbout M10x30	Carriage Bolt	Flachrundschaube	
26	6	BT.G8008	Sluitclip + Bout Transportband	Belt Clip	Gummi Band Clip	
25	4	BT.002641	Splicer 1/2. New Mats	Slicer	Verbindungsstreifen	
24	1	23.11011	Belt 16" Conveyor	Belt 16"Conveyor	Transportriemen 16"	L=1665
22	6	90.6031025	Slotbout M10x25	Carriage Bolt	Flachrundschaube	
20	34	90.125A10	Sluitring M10	Washer M10	Unterlegscheibe M10	
19	1	23.11270	Geleiders Set	Guiding Plates	Leitplatten	
17	16	19.10075	klemstrip M10x30	Slider T-bolt	T-Bolzen	
16	2	23.11515	Glijstrip verlengstuk	Sliding strip	Gleitstreifen	Main conveyor
15	2	BT.016361	Glijstrip Transportband 1700	Slider 1560 Conveyor	Gleitstreifen	
14	4	90.79911040	Plat Verz.Inbusbout M10x40	Recessed inner hex bolt M10x40	Bolzen M10x40	
13	2	90.6031040	Slotbout M10x40	Carriage bolt	Flachrundschaube	
12	2	90.6031035	Slotbout M10x35	Carriage Bolt	Flachrundschaube	
11	1	23.06004	Schraper Rol Main Conv	Scraper	Abstreifer	
10	1	BT.016633	Roller. Crown	Roller	Rolle	
9	2	BT.B0110	Flenslager 1"	Bearing 1" "	Lager 1" "	Oud nr Bt.55-fb23016
8	2	BT.009472	Shaft. Idler	Shaft, Idler	Welle	
7	4	BT.014268	Conveyor Belt Drive Sprocket	Gear	Zahnrad	
6	4	BT.B2022	Lager	Bearing Idler	Lager	
5	34	90.98510	Zelfborgende Moer M10	Self-locking nut M10	Selbstsichernde mutter M10	
4	4	BT.016382	Flange. Shaft	Flange, Shaft	Welle	
Item	QTY	Reference	Omschrijving	Description	Benennung	Opmerking

Trilo BV
 Astronaut 40
 3824 MJ AMERSFOORT
 the Netherlands
 Tel +31(0)33 456 44 32
 Fax +31(0)33 456 44 33
 E-mail: Info@trilo.com
 www.trilo.com

Transportband Geleiding
Main conveyor
Führung Transportriemen
Support Main Conveyor



00.23-1103
 Sheet: 2/2 DWG: 023.1100-D02



Trilo BV
 Astronaut 40
 3824 MJ AMERSFOORT
 the Netherlands

Middenas
Main conveyor

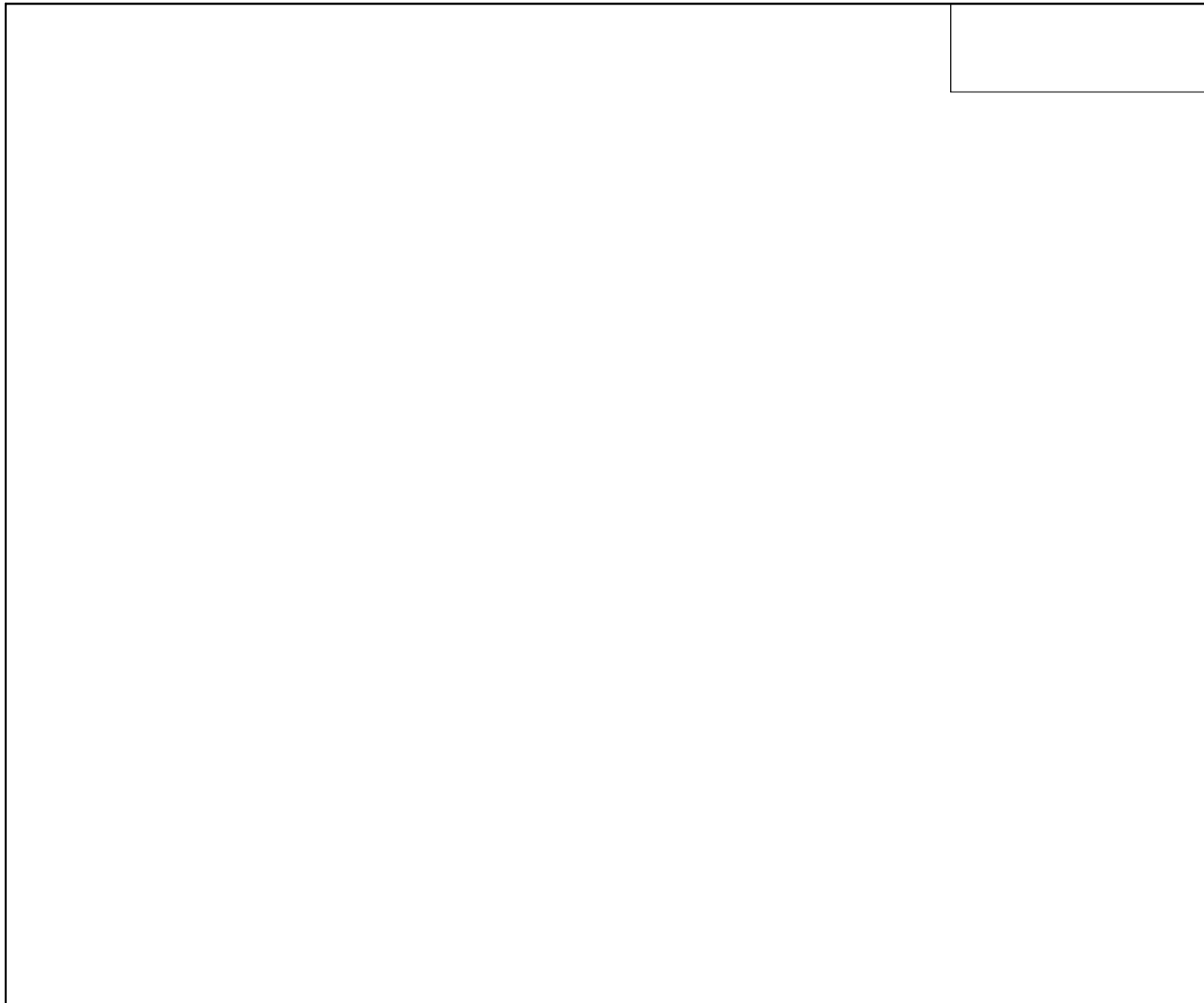


Welle

Center shaft

00.23-1104

Tel +31(0)33 456 44 32
 Fax +31(0)33 456 44 33
 E-mail: Info@trilo.com
 www.trilo.com




19	2	KR.94428	Splitpen 4x28	Cotter Pin	Splint	
18	2	90.125A16	Sluitring M16	Washer M16	Unterlegscheibe	
17	2	BT.F3748	Bout. Rubber Kop	Bolt, Rubber Head	Bolzen,gummi Kopf	
16	4	BT.64001-6	Nut. Hex Jam 3/8-16	Nut	Mutter	
15	4	90.9331035	Tapbout M10x35	Tap Bolt M10x35	Schraube	
14	1	21.11650	Arm links4 Inch Roll	Bracket RHS	Arm Links	
13	1	21.11660	Arm rechts 4 Inch Roll	Bracket RHS	Arm Rechts	
6.11	1	BT.014128	Shaft. 16"/18" Assembly	Shaft. 16"/18" Assembly	Welle	
6.10	18	BT.F1003	Borgmoer 1/4" UNC	Locknut	Sicherungsmutter	
6.9	2	BT.83-053	Nylon Kettingwiel	Chainwheel	Kettenrad	
6.8	2	BT.D8001	Flens Nylon Tandwiel	Flanche	Flange	
6.7	18	BT.64123-89	Bolt hex 1/4-20 X 3/4	Bolt hex 1/4-20 X 3/4	Bolzen	
6	1	BT.A03254	4" Roller Shaft Assy New Con	Roller Shaft Assy	Rollengetriebe	
2	4	90.98510	Zelfborgende Moer M10	Self-locking nut M10	Selbstsichernde mutter M10	
1	2	BT.B0105	3/4" Flenslager	3/4" Flange Bearing	Flanschlager 3/4"	
Item	QTY	Reference	Omschrijving	Description	Benennung	Opmerking

Trilo BV
 Astronaut 40
 3824 MJ AMERSFOORT
 the Netherlands

 Tel +31(0)33 456 44 32
 Fax +31(0)33 456 44 33
 E-mail: Info@trilo.com
 www.trilo.com

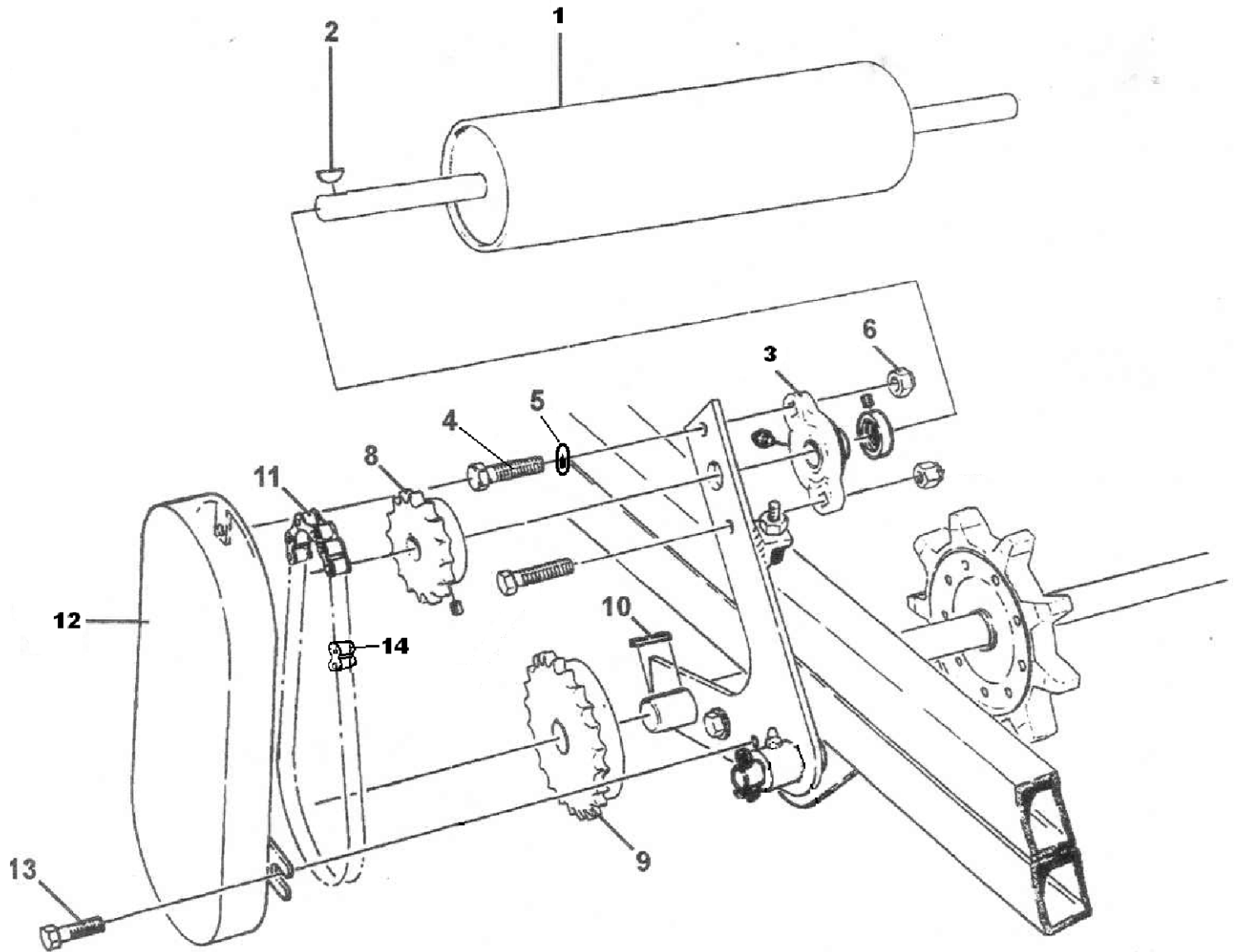
Middenas
Main conveyor

Welle



00.23-1104
 Sheet: 2/2 Dwg: 023.1100-D03

Center shaft



Trilo BV
 Astronaut 40
 3824 MJ AMERSFOORT
 the Netherlands

4" Rol aandrijving
 Main conveyor

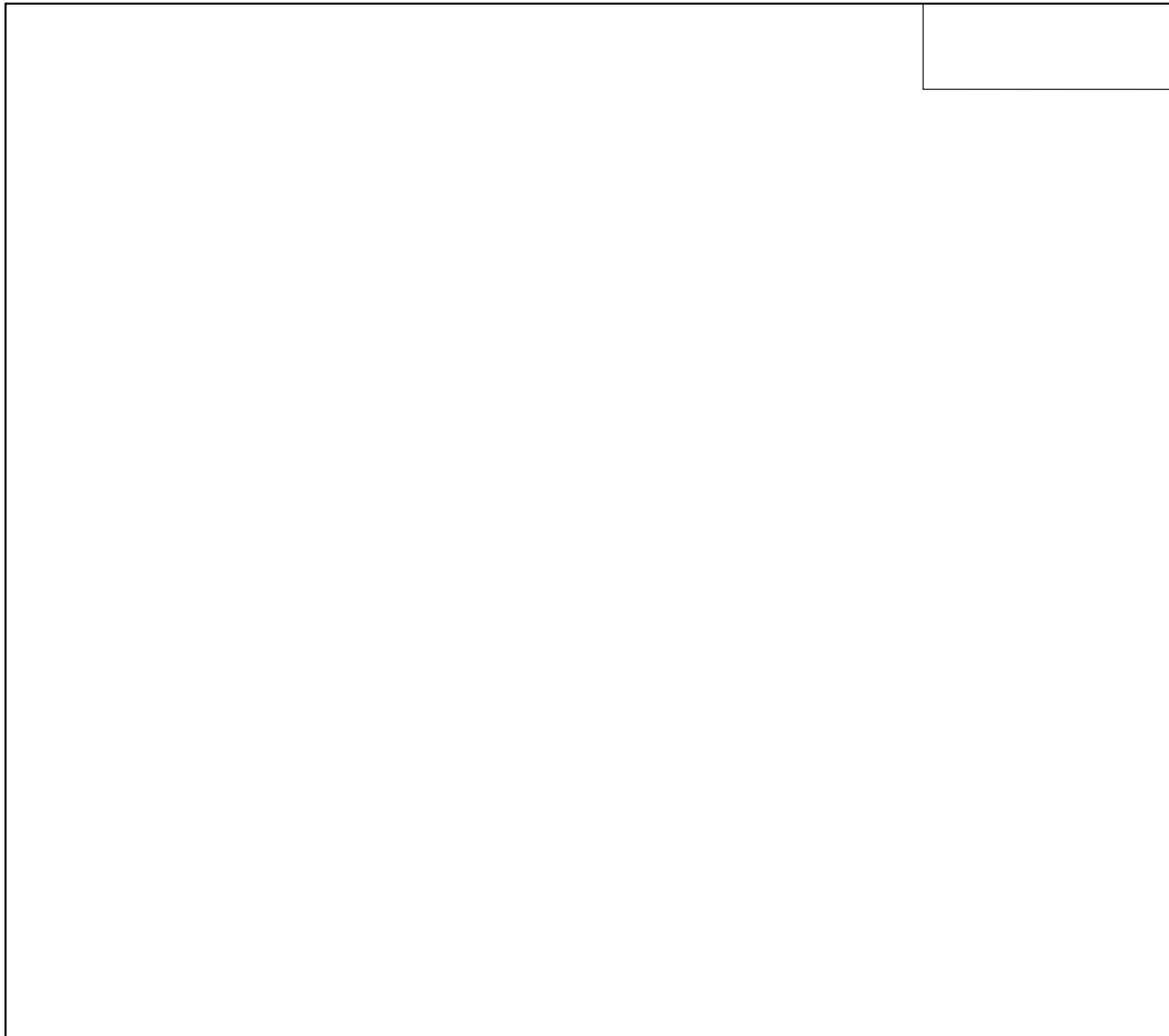
Tel +31(0)33 456 44 32
 Fax +31(0)33 456 44 33
 E-mail: Info@trilo.com
 www.trilo.com

Antriebswelle transportriemen Driveshaft conveyor



00.23-1105

Sheet: 1/2 DWG: 023.1100-D04




14	1	KR.VE40	Verbinding Asa 40	Closing link	Kettenglied	
13	1	BT.64139-08	Bolt 5/16-18 X 3/4	Bolt	Bolzen	
12	1	21.11730	Beschermkap Aandr. 4 Inch Rol	Chain Covering	Kettenbelag	
11	1	BT.Q8008	Ketting Asa 40	Chain 40	Rollenkette Asa 40	= D1001
10	1	BT.64164-11	Key 3/16 X 3/16 X 1 1/4	Parallel key	Passfeder	
9	1	BT.D1113	Tandwiel 24 Tands X 3/4"	Sprocket	Kettenrad 24z x 3/4"	
8	1	BT.D1104	Tandwiel 16 Tands 5/8"	Sprocket 5/8"	Kettenrad 16z 5/8"	
6	4	90.9858	Zelfborgende Moer M8	Self Locking Nut M8	Selbstsichernde Mutter M8	
5	8	90.125A8	Sluitring M8	Washer M8	Unterlegscheibe	
4	4	90.931835	Zeskantbout M8x35	Hex.Bolt M8x35	Schraube	
3	2	BT.B0002	5/8 Flenslager	5/8 Flange Bearing	Flanschlager 5/8"	
2	1	BT.64164-19	Key 3/16 halve maan	Woodruff key	Passfeder	
1	1	BT.014204	4" Roller W/a	4" Roller	4" Rolle	
Item	QTY	Reference	Omschrijving	Description	Benennung	Opmerking

Trilo BV
 Astronaut 40
 3824 MJ AMERSFOORT
 the Netherlands

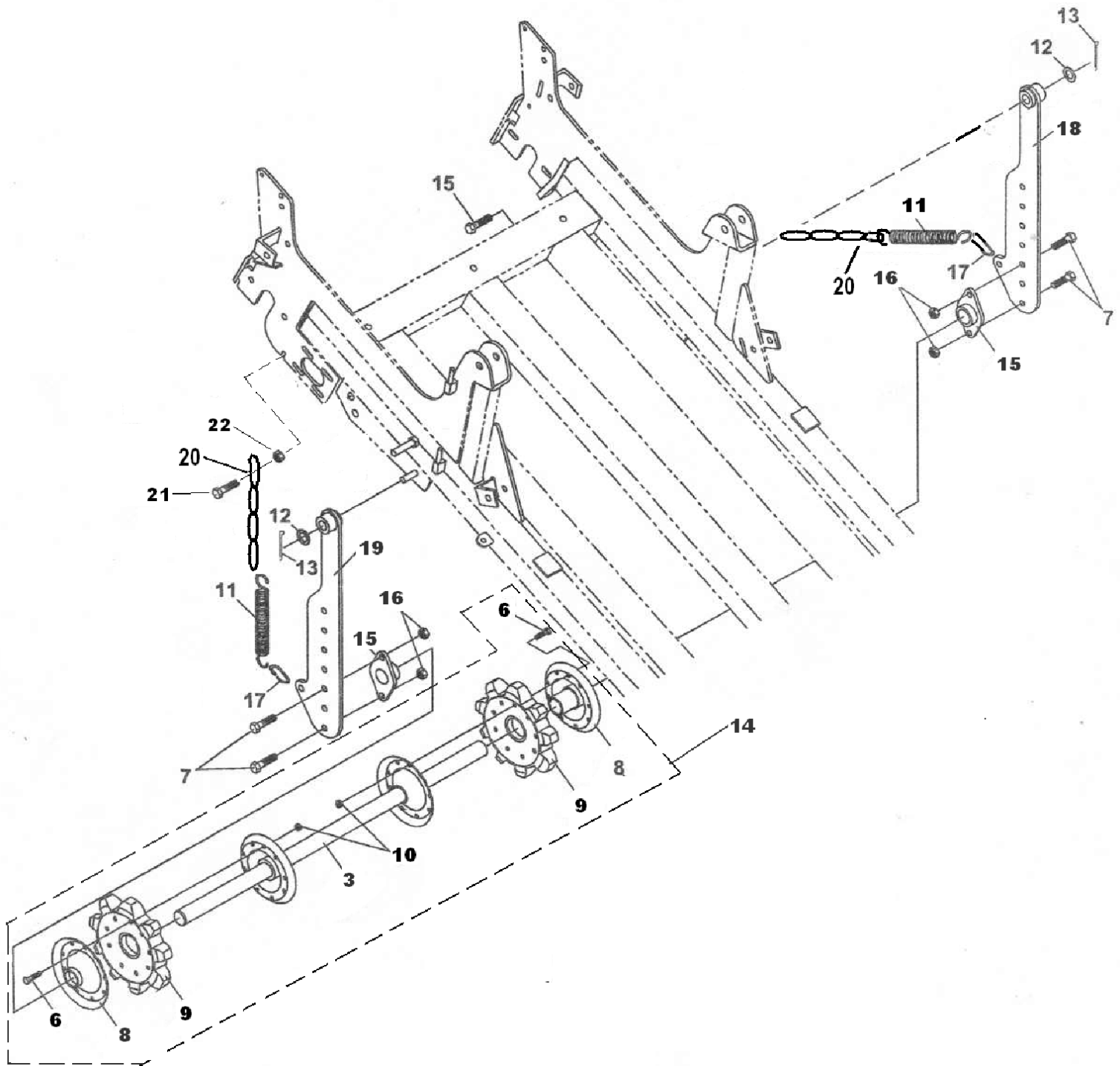
 Tel +31(0)33 456 44 32
 Fax +31(0)33 456 44 33
 E-mail: Info@trilo.com
 www.trilo.com

4" Rol aandrijving
Main conveyor

Antriebswelle transportriemen Driveshaft conveyor



00.23-1105
 Sheet: 2/2 Dwg: 023.1100-D04



Trilo BV
Astronaut 40
3824 MJ AMERSFOORT
the Netherlands

Span as
Main conveyor

Spannwelle
Haubtriemen

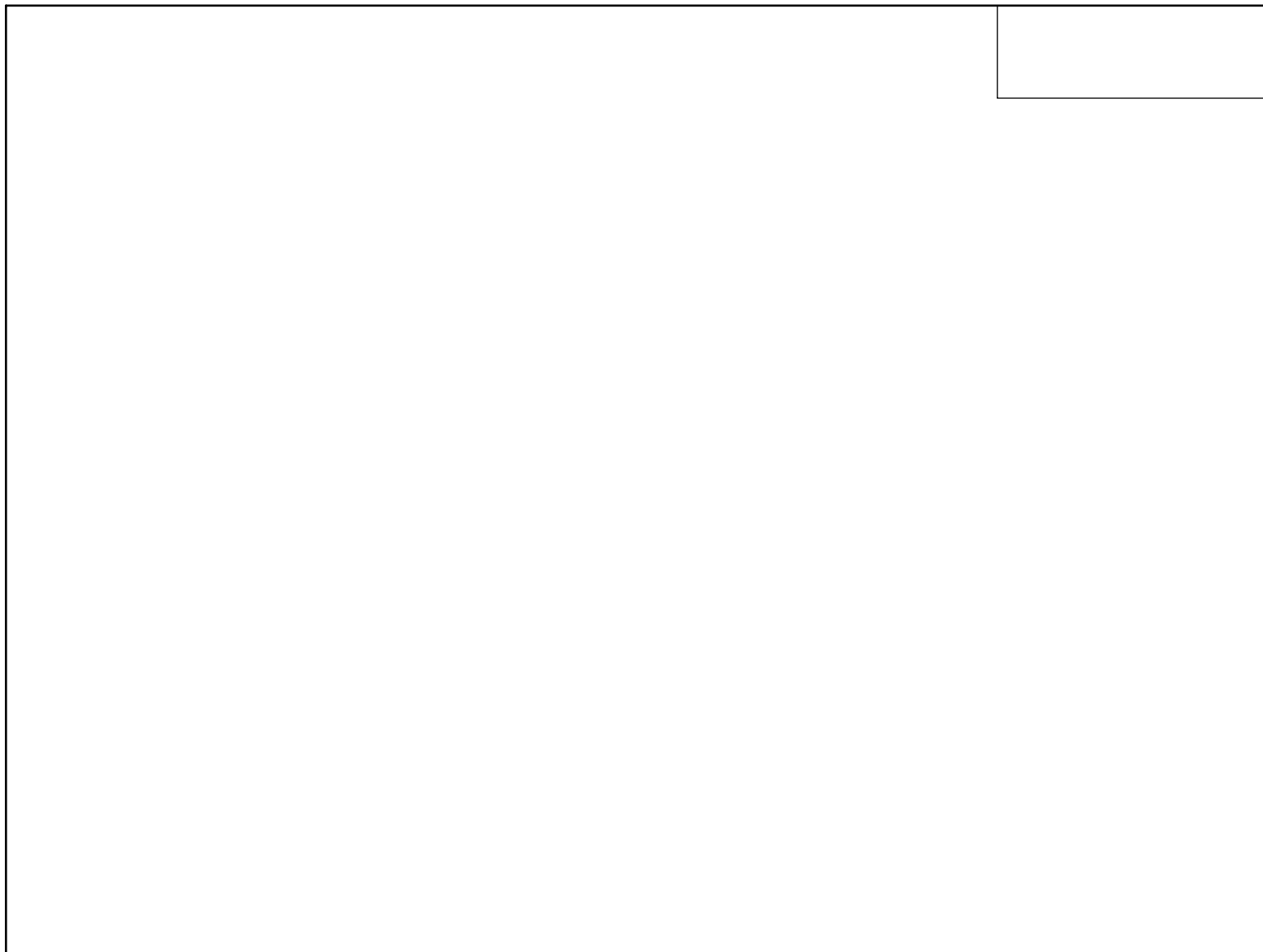
Tensioner
Main Conveyor



00.23-1106

Sheet: 1/2 | Dwg: 023.1100-D05

Tel +31(0)33 456 44 32
Fax +31(0)33 456 44 33
E-mail: Info@trilo.com
www.trilo.com



22	2	90.93412	Moer M12	Nut M12	Mutter	
21	2	90.9331230	Tapbout M12x30	Hex Bolt	Schraube	
20	2	23.11710	Voetketting Verzinkt Nr.50	Chain	Ketten	Lengte 7 sckakels
19	1	BT.016638	Tensioner Arm R.H.	Tensioner Arm R.H.	Abstellstreife Rechts	
18	1	BT.016637	Tensioner Arm Lh	Tensioner Arm Lh	Abstellstreife Links	
17	4	BT.G8084	Link	Link	Verbindungsstück	
16	4	90.98510	Zelfborgende Moer M10	Self-locking nut M10	Selbstsichernde mutter M10	
15	2	BT.B0121	Bearing	Bearing	Lager	
14.10	18	BT.F1003	Borgmoer 1/4" UNC	Locknut	Sicherungsmutter	
14.9	2	BT.83-053	Nylon Kettingwiel	Chainwheel	Kettenrad	
14.8	2	BT.D8001	Flens Nylon Tandwiel	Flanche	Flange	
14.6	18	BT.64123-89	Bolt hex 1/4-20 X 3/4	Bolt hex 1/4-20 X 3/4	Bolzen	
14.3	1	BT.014081	Shaft. Conveyor Drive	Shaft. Conveyor Drive	Welle	
14	1	BT.A03629	Shaft. Mid Idler. New Conveyor	Shaft	Welle	
13	2	KR.94428	Splitpen 4x28	Cotter Pin	Splint	
12	2	90.125A16	Sluitering M16	Washer M16	Unterlegscheibe	
11	2	BT.S2003	Trekveer	Extension Spring	Zugfeder	Dwg 300422
7	4	90.9331040	Tapbout M10x40	Hex Bolt	Schraube	
Item	QTY	Reference	Omschrijving	Description	Benennung	Opmerking


Trilo BV
 Astronaut 40
 3824 MJ AMERSFOORT
 the Netherlands

 Tel +31(0)33 456 44 32
 Fax +31(0)33 456 44 33
 E-mail: Info@trilo.com
 www.trilo.com

Span as
Main conveyor

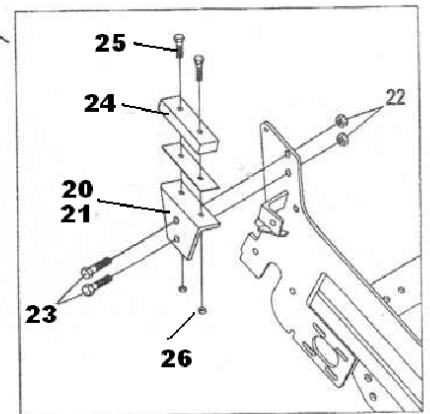
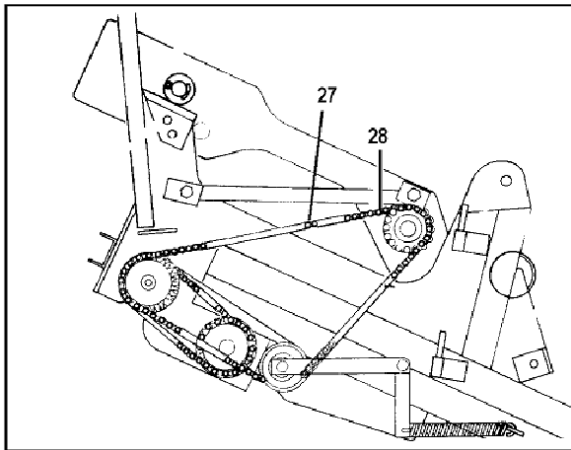
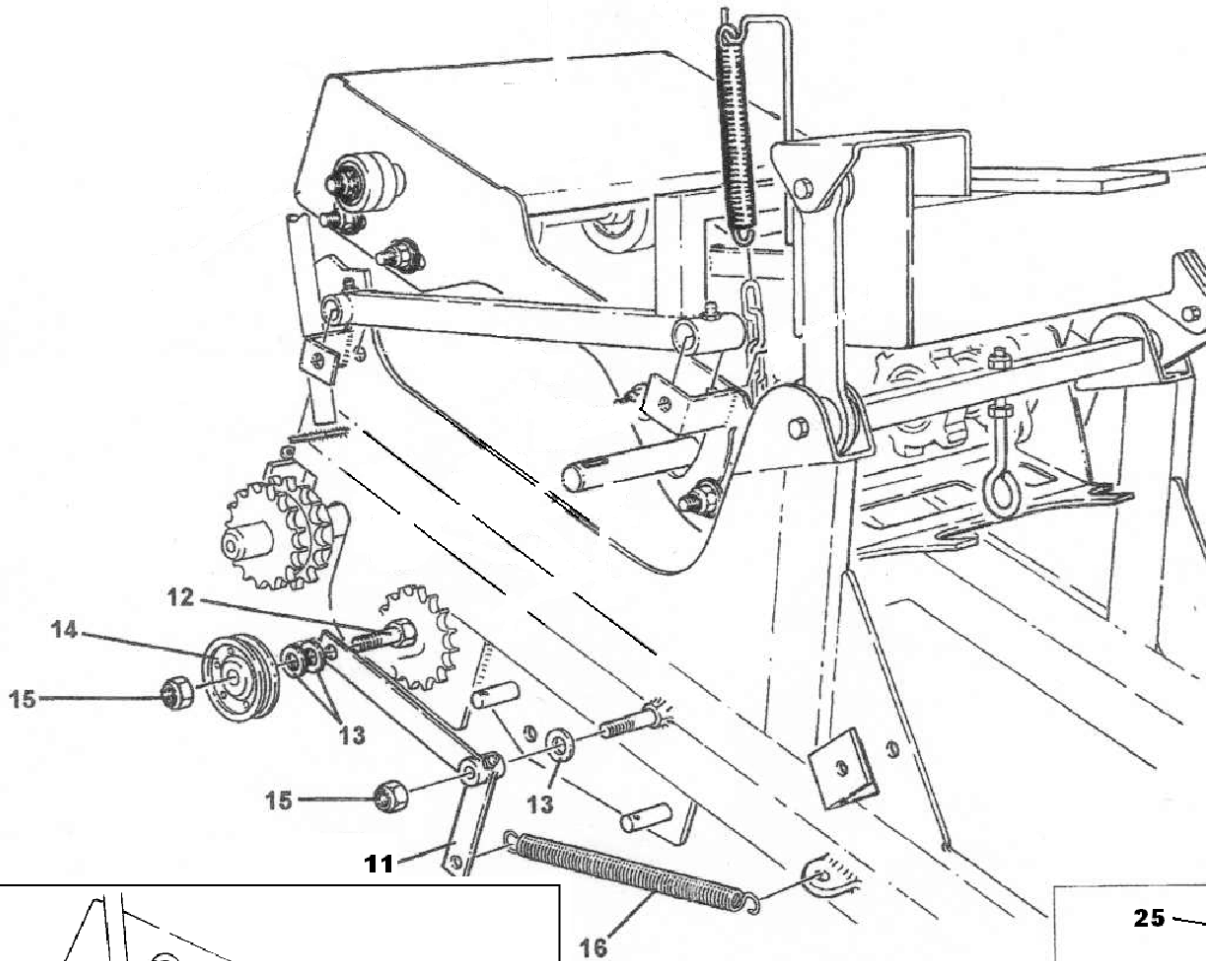
Spannwelle
Haubtriemen

Tensioner
Main Conveyor



00.23-1106

Sheet: 2/2 | Dwg: 023.1100-D05



Trilo BV
 Astronaut 40
 3824 MJ AMERSFOORT
 the Netherlands

Aandrijving oprol conveyor
Main conveyor

Tel +31(0)33 456 44 32
 Fax +31(0)33 456 44 33
 E-mail: Info@trilo.com
 www.trilo.com

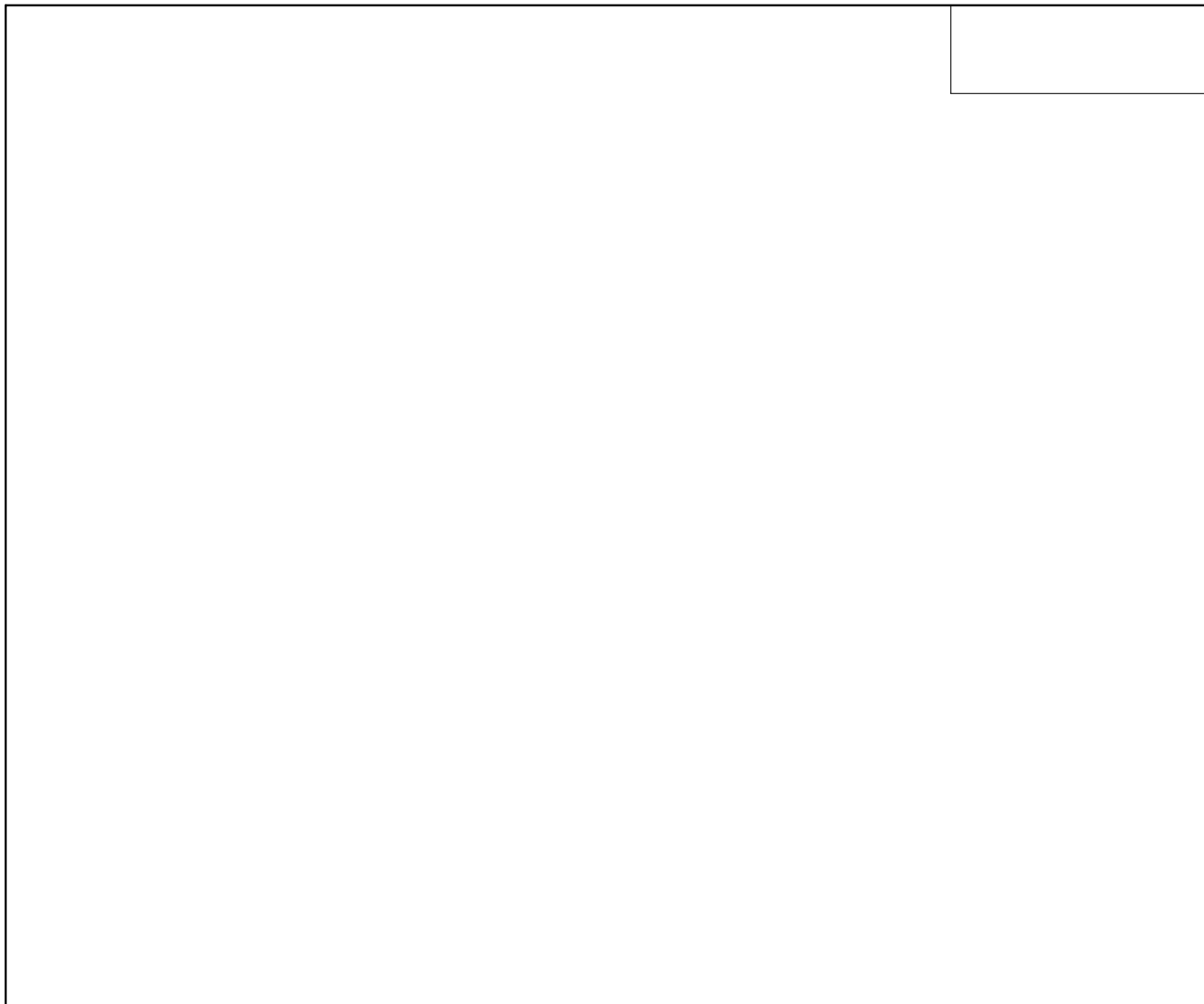
Getriebe Aufrollriemen

Drive Line Roll-up
Conveyor



00.23-1107

Sheet: 1/2 DWG: 023.1100-D06




28	1	23.11745	Rollenketting 1/2"	Chain	Ketten	L=2270
27	1	KR.VE12516	Verb.Schakel 1/2 X 5/16"	Closing Link	Kettenglied	
26	4	90.9856	Zelfborgende Moer M6	Lock Nut M6	Sicherungsmutter M6	
25	4	90.912620	Cil.Inbusbout M6x20	Cylinder Head Screw M6x20	Zylinderschraube	
24	1	21.08322	Canvas Flap	Rubber Flap	Flappe Gummi	1420x140x2
23	4	90.9331030	Tapbout M10x30	Hex Bolt	Schraube	
22	4	90.98510	Zelfborgende Moer M10	Self-locking nut M10	Selbstsichernde mutter M10	
21	1	BT.014083	Roll Up Tray Stop	Roll Up Tray Stop	Stop aufrollen	
20	1	BT.014084	Roll Up Tray Stop	Roll Up Tray Stop	Stop aufrollen	
16	1	BT.41-047	Veer	Spring	Feder Kettenspannung	Was Bt.52004
15	2	BT.F5018	Nut. Flanged Stover	Nut, Flanged Stover	Mutter	
14	1	BT.D2902	Spanrol	Idler	Spannrolle	
13	3	90.125A12	Sluistring M12	Washer M12	Unterlegscheibe	
12	1	BT.64123-24	Bolt Hex 1/2-13 X 2	Bolt Hex 1/2-13 X 2	Bolzen	
11	1	BT.001375	Arm Oprolaandrijving	Roll Up Drive Idler Arm	Roll Up Drive Idler Arm	
Item	QTY	Reference	Omschrijving	Description	Benennung	Opmerking

Trilo BV
 Astronaut 40
 3824 MJ AMERSFOORT
 the Netherlands

 Tel +31(0)33 456 44 32
 Fax +31(0)33 456 44 33
 E-mail: Info@trilo.com
 www.trilo.com

Aandrijving op rol conveyor
Main conveyor

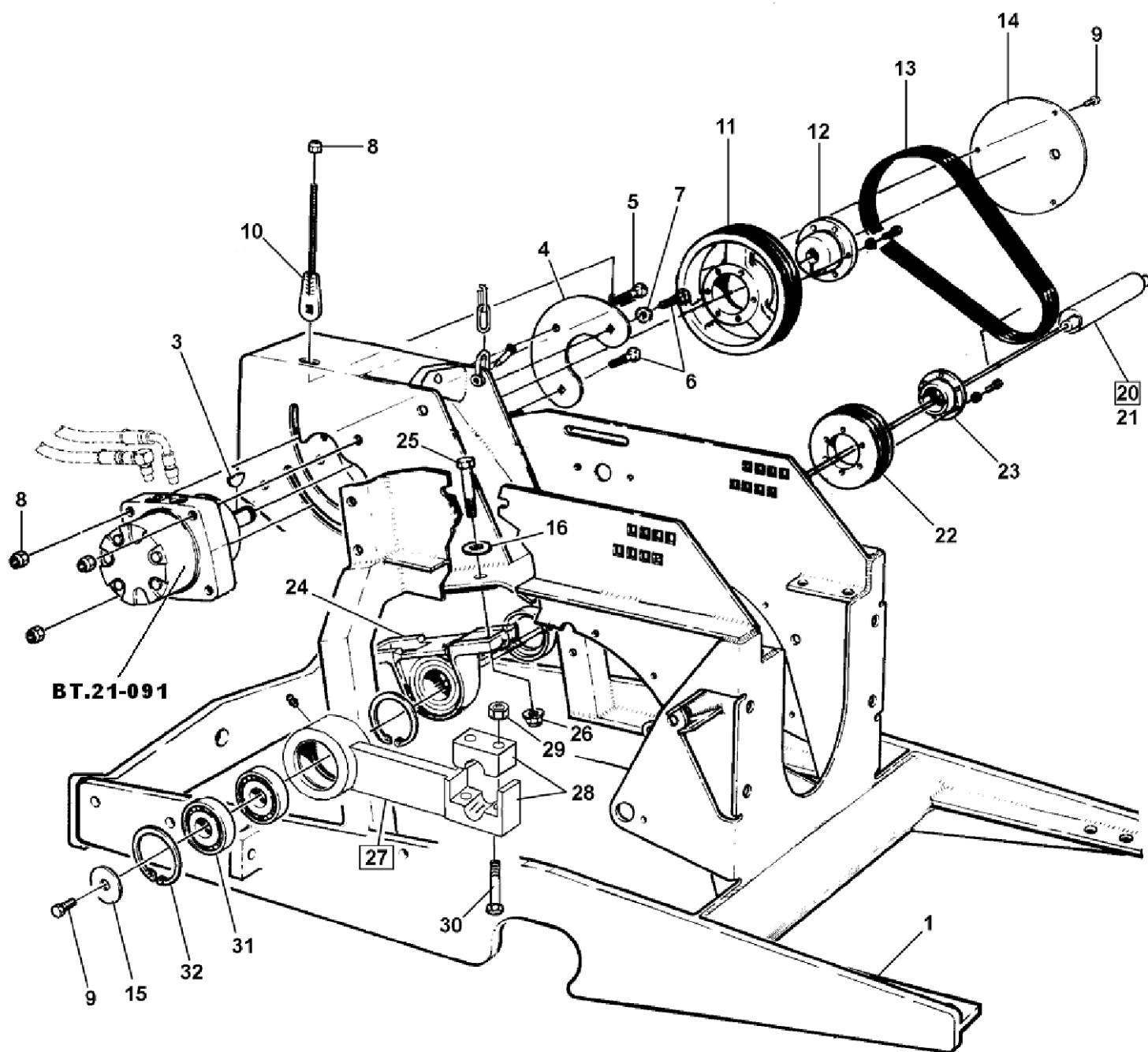
Getriebe Aufrollriemen



00.23-1107

Sheet: 2/2 | Dwg: 023.1100-D06

Drive Line Roll-up
Conveyor



BT.21-091

Trilo BV
Astronaut 40
3824 MJ AMERSFOORT
the Netherlands

Snijmes aandrijving
Snijkop

Messer Antrieb
Schneidkopf

Knife driving
Cuttinghead



00.23-1108

Sheet: 1/2 | Dwg: 023.1100-D07

Tel +31(0)33 456 44 32
Fax +31(0)33 456 44 33
E-mail: Info@trilo.com
www.trilo.com




32	2	BT.G1002	Seegerring Intern	Retaining ring	Sicherungsring	
31	2	BT.B2015	Lager	Bearing	Kugellager	
30	2	BT.F4216	Hex Kapschroef	Cap	Kappe	
29	2	BT.64229-04	Locknut Nylon 7/16-14	Nut	Mutter	
28	1	BT.001692	Drijfstang	Split Connecting Rod	Treibstange	
27	2	BT.A03008	Assy-connecting Rod	Assy-connecting Rod	Verbindungs Satz	
26	4	BT.F6010	Nut Flanged Stover	Nut	Mutter	
25	4	BT.90-1018	Bout 5/8-11 X 2-1/4UNC	Bolt	Bolzen	
24	2	BT.B1120	Lagerblok 2"	Bearingblock 2"	Lagerblock 2"	
23	1	BT.D3042	Bushing	Bushing	Klembüchse	
22	1	BT.D2705	Sheave	Sheave	Keilriemenscheibe	
21	1	BT.001287	Krukas	Crank Shaft	Kurbelwelle	
20	1	BT.A03589	Assy-crankshaft	Assembly Crank	Kurbelwelle satz	001287.d2705.d3042.f1713.96-04
16	4	BT.002222	Crnkshft Brg Wshr	Washer	Unterlegscheibe	
15	2	BT.99-B16	Flatwasher 3/8x 1 1/2	Washer	Unterlegscheibe	
14	1	23.11081	Schijf met Gat Voor Sensor	Disk	Scheibe	orgineel = bt.016228.18
13	1	BT.81-3-3VX400	V-snaar 3 Rib	V-belt	Keilriemen 3-rib	
12	1	BT.D3029	Split Taper Lock/bushing	Split Taper Lock/bushing	Klembüchse	
11	1	BT.D2704	Sheave	Sheave	Keilriemenscheibe	
10	1	BT.016296	Tensioner	Tensioner	Spanner	
9	5	BT.99-K61	Bolt. Flange 3/8 X 1/2	Bolt. Flange 3/8 X 1/2	Bolzen 3/8 x 1/2	
8	4	BT.F5018	Nut. Flanged Stover	Nut, Flanged Stover	Mutter	
7	1	90.9021A16	Carr.Ring M16	Washer	Unterlegscheibe	
6	2	BT.F5104	Slotbout 1/2 X 2 3/4	Carriage bolt	Flachrundschraube	
5	1	BT.F5102	Carriage Bolt 1/2x3	Carriage Bolt 1/2x3	Bolzen 1/2x3	
4	1	BT.016295	Scraper. Motor Sheave Us	Scraper. Motor Sheave Us	Schraper	
3	1	BT.G8019	Woodruff Key 808	Woodruff Key 808	Passfeder	
1	1	BT.002001	Frame Cut Off Nr.1/25	Frame Cut Off Nr.1/25	Rahmen Nr.1/25	
Item	QTY	Reference	Omschrijving	Description	Benennung	Opmerking

Trilo BV
 Astronaut 40
 3824 MJ AMERSFOORT
 the Netherlands

 Tel +31(0)33 456 44 32
 Fax +31(0)33 456 44 33
 E-mail: Info@trilo.com
 www.trilo.com

Snijmes aandrijving
Snijkop

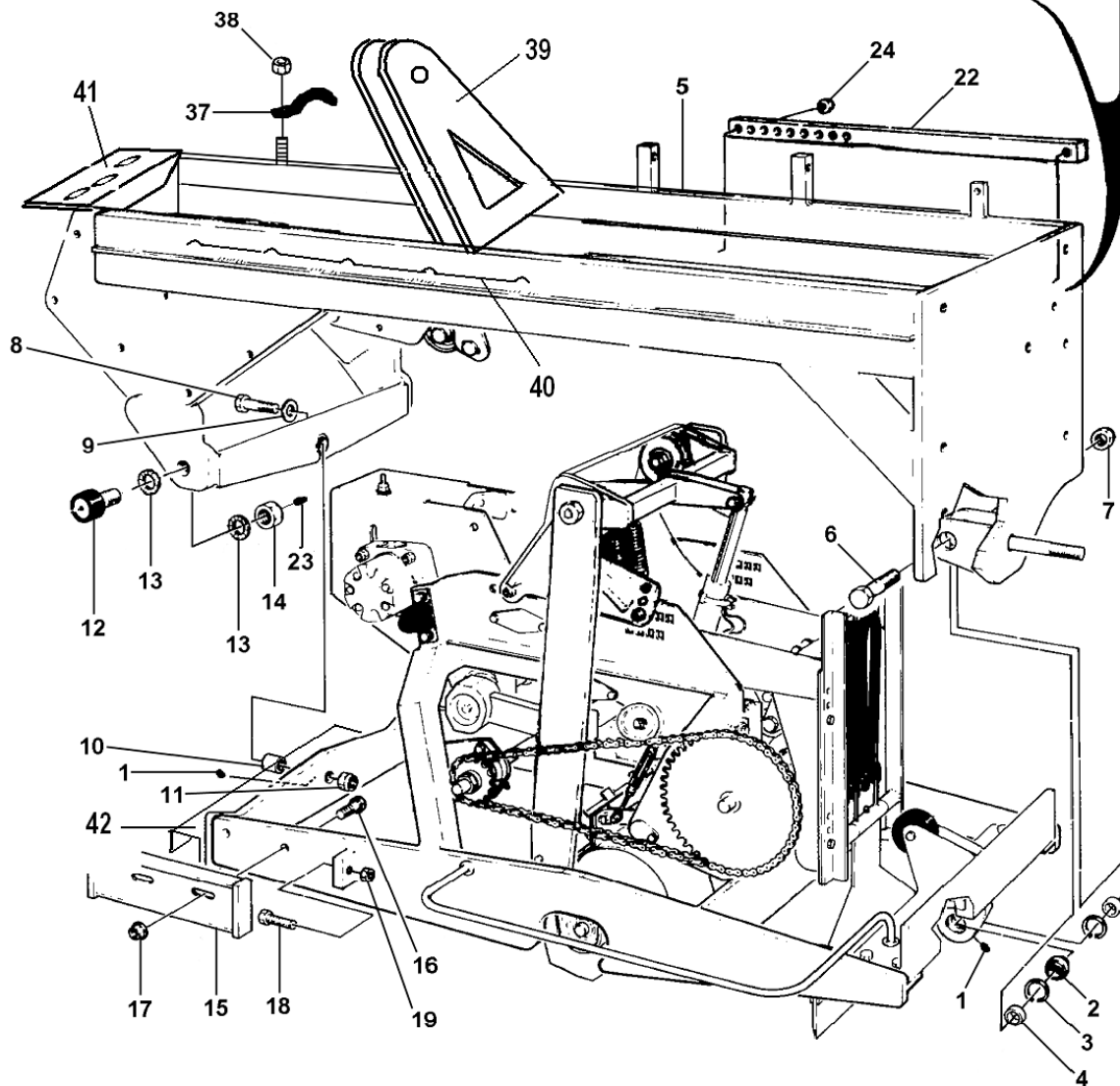
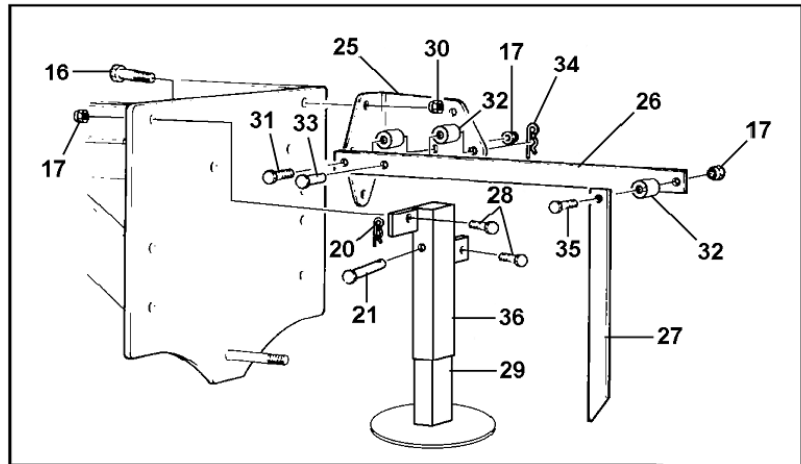
Messer Antrieb
Schneidkopf



00.23-1108

Sheet: 2/2 | Dwg: 023.1100-D07

Knife driving
Cuttinghead



Trilo BV
Astronaut 40
3824 MJ AMERSFOORT
the Netherlands

Floating head Frame
Snijkop

Flex. Schneidkopfgestell

Floating Head Frame



00.23-1109

Sheet: 1/2 | Dwg: 023.1100-D08

Tel +31(0)33 456 44 32
Fax +31(0)33 456 44 33
E-mail: Info@trilo.com
www.trilo.com

Item	QTY	Reference	Omschrijving	Description	Benennung	Opmerking
42	1	21.11750	Beschermkap Pivot Snijkop	Guard	Schutzhaube	
41	1	21.11140	Steun Regelventielen	Support	Stütze	
40	2	23.11095	Wafelijzer L=950			
39	1	23.11150	Steun Geleidingsstang Boven	Support	Stütze	
38	1	BT.64229-03	Locknut. Nylon 3/8-16	Locknut, Nylon 3/8-16	Bolzen	
37	1	BT.016711.18	Clamp. Single Hose			
36	1	BT.002502	Stand-upper Wldmt	Stand-upper Wldmt	Bolzen	
35	1	BT.90-0830	Bout 1/2 -13 X 3 3/4	Bolt 1/2-13 X 3 3/4	Bolzen	
34	1	BT.02-PP0524	Presto Pin	Presto Pin	Bolzen	
33	1	BT.G2022	Clevis Pin 1/2			
32	4	BT.014113	Spacer	Spacer	Bolzen	
31	1	BT.64123-72	Bolt Hex 1/2-13x 2 1/2	Bolt Hex 1/2-13 X 2 1/2	Bolzen	
30	3	BT.64141-13	Nut 1/2-13	Nut Wlf 1/2-13	Mutter	
29	1	BT.002506	Stand-base Wldmt	Stand-base Wldmt	Bolzen	
28	2	BT.90-0814	Bolt 1/2 X 1 3/4	Bolt 1/2 X 1 3/4	Bolzen	
27	0	BT.016514.17	Bar-drivers Guide			
26	1	BT.016513.17	Bar-driver Guide Supt	Lever	Ausleger	
25	1	BT.016512.18	Bracket-drivers Guide	Bracket	Arm	
24	2	BT.F3013	Locknut. Flanged Stover	Locknut, Flanged Stover	Sicherungsmutter	
23	2	BT.M0010	Grease Fitting. Straight 3/16	Grease Fitting, Straight	Bolzen	
22	1	BT.016652	Bar. Depth Adjuster	Depth Adjuster	Bolzen	
21	1	BT.03-0820	Clevis Pin	Clevis Pin	Bolzen	Was G2022
20	1	BT.02-PP0524	Presto Pin	Presto Pin	Mutter	
19	2	BT.64001-8	Nut. Hex Jam 1/2-13	Nut, Hex Jam 1/2-13	Mutter	
18	2	BT.F5707	Screw Hax Cap	Screw Hex Cap	Zechskantbolzen	
17	12	BT.F5018	Nut. Flanged Stover	Nut, Flanged Stover	Mutter	
16	12	BT.64123-117	Bolt Hex 1/2-13x 1 1/2	Bolt Hex 1/2-13 X 1 1/2	Bolzen1/2-13 X 1 1/2	
15	2	BT.016401	Block. Cam Follower			
14	2	BT.F8009	Hex Nut 1 1/8	Hex Nut 1 1/8	Lagerung	
13	4	BT.F8054	Washer.disc Lock 1 1/8	Washer,disc Lock 1 1/8	Lagerung	
12	2	BT.B8015	Bearing	Bearing Model 1600	Lagerung	
11	1	BT.64229-07	Locknut	Nut	Mutter	
10	1	BT.002248	Bushing-pivot	Bushing pivot	Gleitlager	
9	1	BT.64163-06	Washer	Washer	Scheibe	
8	1	BT.90-1228	Bout 3/4 X 3 1/2	Bolt	Bolzen	Bt.F7219
7	1	BT.64151-9	Hex Locknut	Lock screw	Sicherungsbolzen	
6	1	BT.91-1632	Bolt 1-14.X4 Nf	Bolt	Bolzen	
5	1	BT.016292.18	Frame-cutting HDCradle	Frame Cutting Head	Gestell Schneidkopf	
4	2	BT.016376	Spacer. Front Ball	Spacer, Front Ball	Buchsen	
3	2	BT.G1007	Seegerring	Retaining ring	Sicherungsring	
2	1	BT.B8041	Spherical Plain Bearing 1"	Spherical Plain Bearing 1""	Spherical Plain Bearing 1"	
1	2	BT.29-010	Greasefitting. 1/4-28 Short.	Grease Fitting		Bt.M0004


Trilo BV
Astronaut 40
3824 MJ AMERSFOORT
the Netherlands

Tel +31(0)33 456 44 32
Fax +31(0)33 456 44 33
E-mail: Info@trilo.com
www.trilo.com

**Floating head Frame
Snijkop**

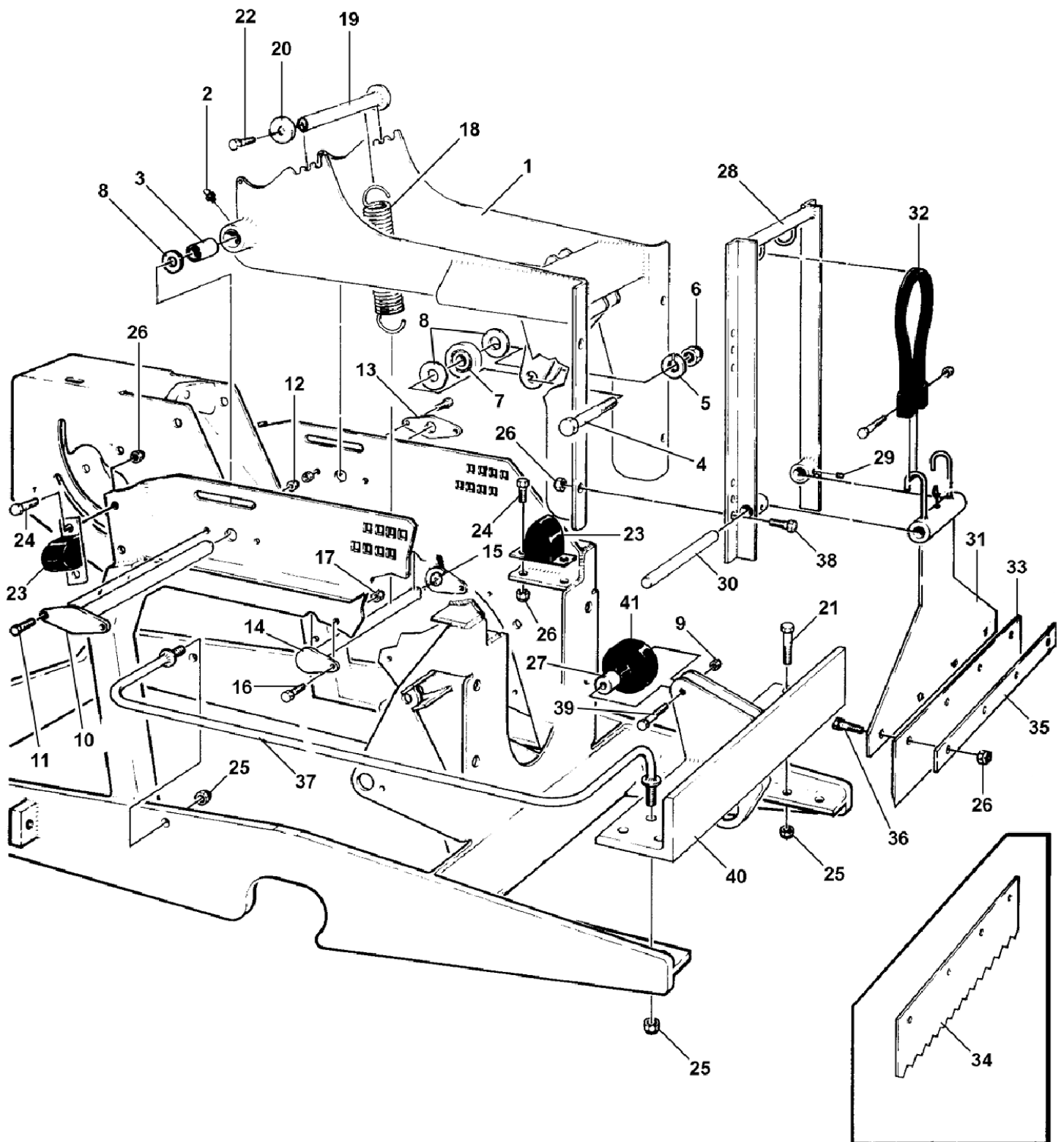
Flex. Schneidkopfgestell

Floating Head Frame



00.23-1109

Sheet: 2/2 | DWG: 023.1100-D08



Trilo BV
 Astronaut 40
 3824 MJ AMERSFOORT
 the Netherlands

Afhakmes aandrijving
 Snijkop

Tel +31(0)33 456 44 32
 Fax +31(0)33 456 44 33
 E-mail: Info@trilo.com
 www.trilo.com

Abhackmessergetriebe

Cutter Blade Drive



00.23-1110

Sheet: 1/2 DWG023.1100-D010

41	1	BT.001507	Rubber Bumper	Rubber Bumper	Bolzen 3/8	
40	1	BT.016270.18	Carrier. Front Pivot			
39	1	BT.64123-100	Bolt 3/8-16 X 2 1/4	Bolt 3/8-16 X 2 1/4	Bolzen 3/8	
38	4	BT.64139-18	Bolt-wlf 3/8-16x 1 1/4			Bt.F3204
37	1	BT.016508.17	Guard. Toe			
36	4	BT.F3701	Ploegbout 3/8	Bolt 3/8	Bolzen 3/8	
35	1	BT.001423	Reinforced Strip Cut Off Blade	Reinforced Strip Cut Off Blade	Abhack Messer Mit Warteln	
34	1	BT.001683	Kartel Afhakmes	Serated Cut Off Blade	Abhack Messer Mit Warteln	
33	1	BT.001304	Afhakmes 16"	"Cut Off Blade 16""	"Abhackmesser 16""	
32	2	BT.001452	Rubber Afsnij-veer	Rubber Cut Off Spring	Gummi Feder Abhack.	Is S8001/90-0416/94-04/99-e39
31	1	BT.001446.17	Snijmes Steun			
30	1	BT.001417	Blade Support Pivot Pin	Blade Support Pivot Pin	Mutter	
29	2	BT.85-SS14	Set Crew. 3/8-16x3/8 Skthd			Bt.F3601
28	1	BT.001301.18	Afhakmes Frame			
27	1	BT.001764	Bushing Roll Up Damper	Bushing Roll Up Damper	Mutter	
26	17	BT.64141-4	Nut 3/8-16	Nut 3/8-16	Mutter	
25	6	BT.64141-13	Nut 1/2-13	Nut Wlf 1/2-13	Mutter	
24	8	BT.64139-21	Bolt-wlf 3/8-16x3/4	Bolt	Bolzen	Bt.F3204
23	4	BT.014082	Rubber Bumper	Rubber Bumper	Gummi Stossblock	
22	1	BT.64139-22	Bolt-wlf 1/2-13 X 1	Bolt-wlf 1/2-13 X 1	Bolzen	
21	4	BT.90-0814	Bolt 1/2 X 1 3/4	Bolt 1/2 X 1 3/4	Bolzen	
20	1	BT.64163-16	Washer 41/64 X 1 3/8 X 12			
19	1	BT.016300	Shaft	Shaft-upper	Feder	
18	4	BT.S2006	Extension Spring	Extension Spring	Feder	
17	2	BT.64141-2	Nut-wlf 1/4-20	Nut-wlf 1/4-20	Mutter	
16	2	BT.99-K27	Bolt. Flange 1/4x1 UNC			
15	1	BT.016457	Anti Rotation Lug	Anti Rotation Lug	Mutter	
14	1	BT.016584	Shaft. Lower Spring 16/18"	Shaft	Mutter	
13	1	BT.016297	Lug. Anti-rotation			
12	4	BT.64141-6	Nut 5/16-18	Nut 5/16-18	Mutter	
11	4	BT.99-K02	Bolt. Flange	Bolt, Flange	Lager	
10	1	BT.016582	Shaft. Cut Off	Shaft, Cut Off	Lager	
9	1	BT.64229-03	Locknut. Nylon 3/8-16	Locknut, Nylon 3/8-16	Lager	
8	1	BT.64163-65	Washer	Washer	Lager	
7	1	BT.B8002	Lager	Bearing	Lager	
6	1	BT.N9022	Hex Nut	Hex Nut		
5	1	BT.07-C20	Lockwasher	Lockwasher		
4	1	BT.N9021	Bout	Screw		
3	2	BT.009536	Bronze Bushing	Bronze Bushing		
2	2	BT.29-010	Greasefitting. 1/4-28 Short.	Grease Fitting		Bt.M0004
1	1	BT.016262.18	Frame. Cut Off			
Item	QTY	Reference	Omschrijving	Description	Benennung	Opmerking

Trilo BV
Astronaut 40
3824 MJ AMERSFOORT
the Netherlands

Afhakmes aandrijving
Snijkop

Abhackmessergetriebe

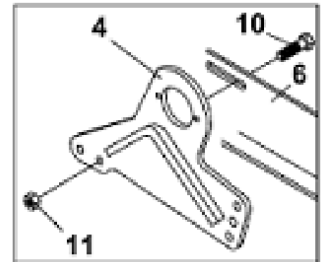
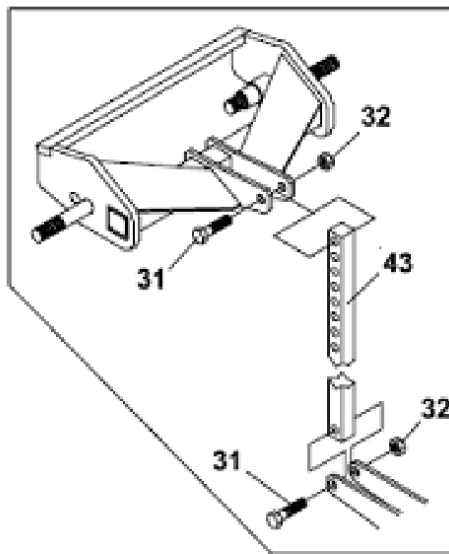
Cutter Blade Drive



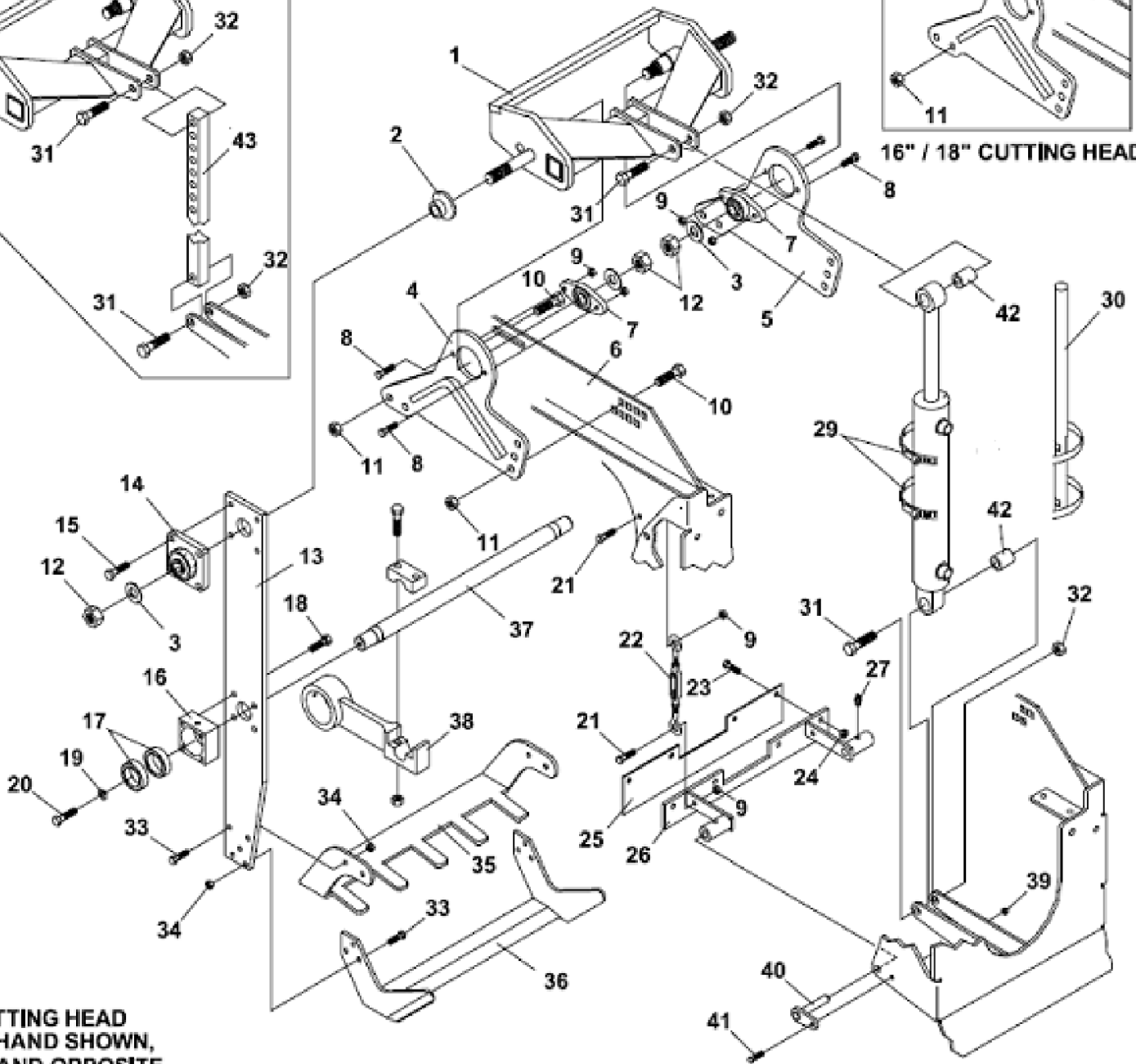
00.23-1110

Sheet: 2/2 Dwg023.1100-D010

Tel +31(0)33 456 44 32
Fax +31(0)33 456 44 33
E-mail: Info@trilo.com
www.trilo.com



16" / 18" CUTTING HEAD



16" CUTTING HEAD
RIGHT HAND SHOWN,
LEFT HAND OPPOSITE

Trilo BV
Astronaut 40
3824 MJ AMERSFOORT
the Netherlands

Mesarm en Dieptecontrol
Snijkop

Tel +31(0)33 456 44 32
Fax +31(0)33 456 44 33
E-mail: Info@trilo.com
www.trilo.com

Messerarm & Tiefeeinstellung

Blade Arm & Depth control



00.23-1111

Sheet: 1/2 DWG: 023.1100-D09

43	1	BT.016652	Bar. Depth Adjuster	Depth Adjuster	Treibstange	
42	2	BT.002397	Bushing Hydr.Cylinder			
41	2	BT.99-K27	Bolt. Flange 1/4x1 UNC			
40	2	BT.016304	Shaft. Scraper Blade	Shaft, Scraper Blade	Treibstange	
39	2	BT.64141-2	Nut-wlf 1/4-20	Nut-wlf 1/4-20	Treibstange	
38	1	BT.001692	Drijfstang	Split Connecting Rod	Treibstange	
37	1	BT.001525	Wrist Shaft 16"	Wrist Shaft	Messer	
36	1	BT.015638	Mes 16	"Blade 16""	Messer	
35	1	BT.002403	Zode Geleidingsbeugel 16"	"Sod Guide Bracket 16""	"Sode FÜhrungsblech 16""	
34	10	BT.64025-03	Nut. Hex 5/16-24	Nut, Hex 5/16-24	Mutter	
33	10	BT.515011	5/16x1 UNF			Bt.F2702
32	2	BT.64229-05	Locknut 1/2-13	Lock nut	Sicherungsmutter	
31	2	BT.64123-31	Bolt 1/2-13 X 3	Bolt 1/2-13 X 3	Bolzen	
30	1	BT.002447	Rod. Depth Indicator	Rod, Depth Indicator		
29	2	BT.11-049	Clamp-hose			
27	2	BT.29-010	Greasefitting. 1/4-28 Short.	Grease Fitting		Bt.M0004
26	1	BT.002422	Scraper Blade Holder 16/18			
25	1	BT.002417.6	Blade. 16" Scraper	"Blade, 16""scraper	Mutter	
24	4	BT.64141-6	Nut 5/16-18	Nut 5/16-18	Mutter	
23	4	BT.64139-08	Bolt 5/16-18 X 3/4	Bolt	Bolzen	
22	2	BT.G8121	Turnbuckel	Turnbuckel	Bolzen 3/8 x 1/2	
21	4	BT.99-K02	Bolt. Flange	Bolt, Flange	Bolzen 3/8 x 1/2	
20	2	BT.99-K61	Bolt. Flange 3/8 X 1/2	Bolt. Flange 3/8 X 1/2	Bolzen 3/8 x 1/2	
19	2	BT.99-B16	Flatwasher 3/8x 1 1/2	Washer	Unterlegscheibe	
18	8	BT.64139-18	Bolt-wlf 3/8-16x 1 1/4			Bt.F3204
17	4	BT.B2014	Lager	Bearing	Kugellager	
16	2	BT.001281	Lagerblok	Bearing Block	Lagerblock	
15	8	BT.64139-24	Bolt-wlf 3/8-16x 1	Bolt-wlf 3/8-16 X 1 1/4	Bolzen	Bt.F3204
14	2	BT.55-HCFS20412	Flenslager	Bearing 4 Bolt 3/4""	Flanschlager 3/4""	
13	2	BT.016977	Cutter Arm			Of Bt.16977.18
12	4	BT.99-A12	Moer 3/4			Bt.F7004
11	4	BT.F5018	Nut. Flanged Stover	Nut, Flanged Stover	Mutter	
10	4	BT.97-0812	Carriage Bolt 1/2 X 1 1/2	Carriage Bolt 1/2 -13 X 1 1/2	Mutter	
9	6	BT.F2014	Nut 5/16	Nut 5/16	Mutter	
8	4	BT.99-K62	Bolt. Flange 5/16-18 X 1-1/			
7	2	BT.6550003	Lager	Bearing, Flange	Lager	FX205 / FHS205-16
6	1	BT.002001	Frame Cut Off Nr.1/25	Frame Cut Off Nr.1/25	Rahmen Nr.1/25	
5	1	BT.002318	Depth Adj.Pivot Bracket Lh			
4	1	BT.002317	Depth Adj.Pivot Bracket Rh			
3	4	BT.64163-06	Washer	Washer	Scheibe	
2	2	BT.016999	Bushing. Cutter Arm	Bushing, Cutter Arm	Depth Adjuster	
1	1	BT.002398	Crank.hyd Depth Adjust 16"/			
Item	QTY	Reference	Omschrijving	Description	Benennung	Opmerking

Trilo BV
Astronaut 40
3824 MJ AMERSFOORT
the Netherlands

Mesarm en Dieptecontrol
Snijkop

Messerarm & Tiefeinstellung

Blade Arm & Depth control

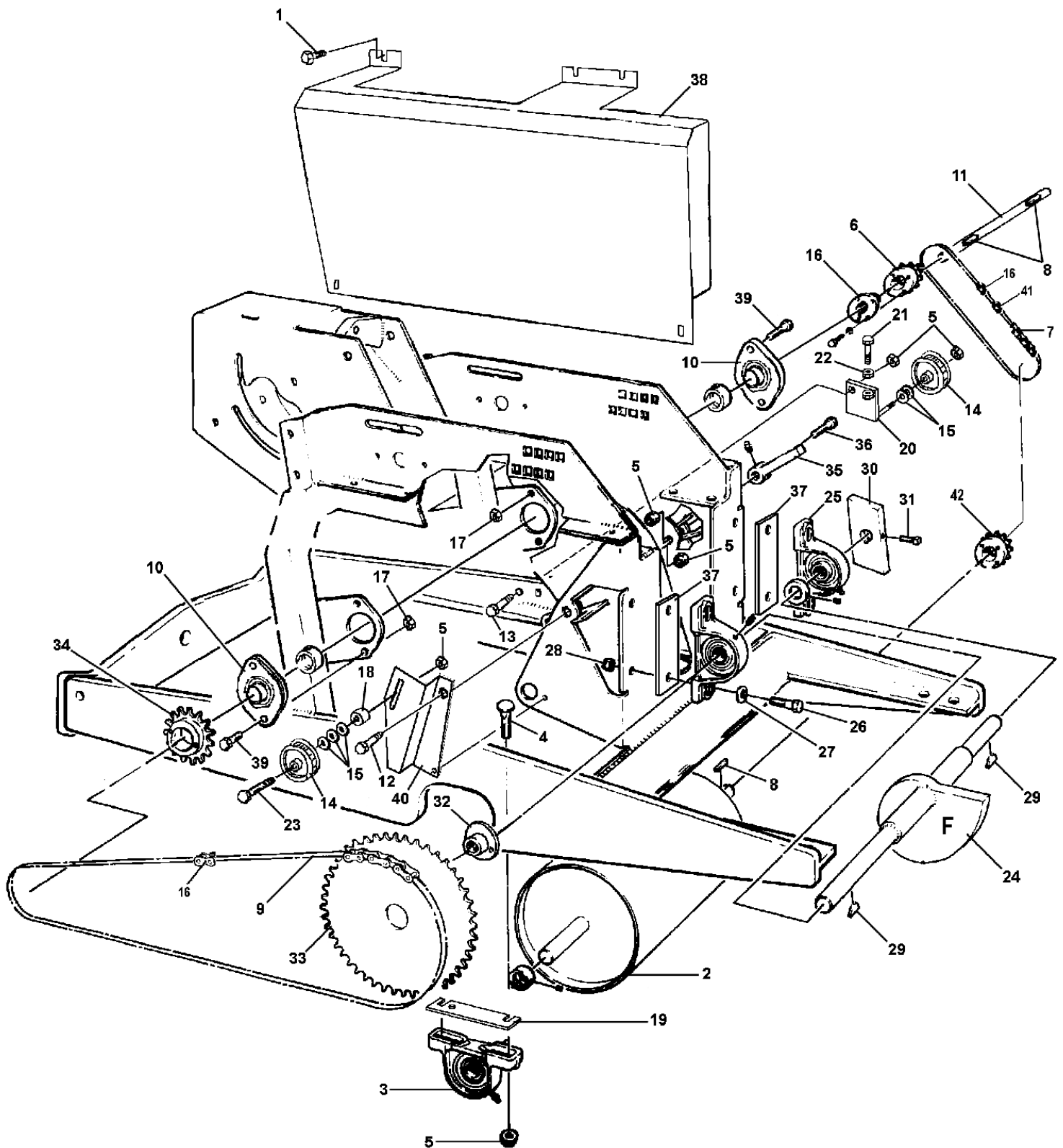


00.23-1111

Sheet: 2/2

DWG: 023.1100-D09

Tel +31(0)33 456 44 32
Fax +31(0)33 456 44 33
E-mail: info@trilo.com
www.trilo.com



Trilo BV
Astronaut 40
3824 MJ AMERSFOORT
the Netherlands

Afhakmes en rol
Snijkop

Abhackmesser
Schneidkopf

Cut off knife
Cuttinghead



00.23-1112

Sheet: 1/4 DWG023.1100-D011

Tel +31(0)33 456 44 32
Fax +31(0)33 456 44 33
E-mail: Info@trilo.com
www.trilo.com

****): See sheet 4**

***) : See sheet 3**

42	1	BT.D1103 *)	Tandwiel Asa 40 15t. 1"	Sprocket Asa 40,15 T	Zahnrad 15 Z	
41	1	KR.CE12516	Verloopschakel 1/2x5/16	Adapter Part	Verbindungsstück	
40	1	BT.016974	Bracket. Idler	Bracket, Idler	Halter	
39	4	BT.64018-15	Bolt 5/16 X 1	Bolt 5/16 X 1	Bolzen	Of 97-0508
38	1	BT.002011.6	Shield-cut Off Chain	Shield-cut Off Chain	Schutzhaube	
37	3	BT.015762	Shim. Crankshaft	Shim. Crankshaft	Scheibe	
36	1	BT.90-0832	Bout 1/2 -13 X 4	Bolt	Bolzen	
35	1	BT.001567	Return Cam Stop	Return Cam Stop	Stopblock	
34	1	BT.D1103 *)	Tandwiel Asa 40 15t. 1"	Sprocket Asa 40,15 T	Zahnrad 15 Z	
33	1	BT.D1420 **)	Tandwiel 33t	Sprocket 33-t	Zahnrad 33-t	
32	2	BT.83-H16SPL	Klembus 1"	Bushing 1"	Spannbuchse	Bt.D3003/d3043
31	1	BT.F3603	Stelschroef 3/8 X 3/4"	Set Screw 3/8 X 3/4	Schraube 3/8 X 3/4	
30	1	BT.001567	Return Cam Stop	Return Cam Stop	Stopblock	
29	2	BT.G8019	Woodruff Key 808	Woodruff Key 808	Passfeder	
28	4	BT.64141-4	Nut 3/8-16	Nut 3/8-16	Mutter	
27	4	BT.015907	Washer	Washer	Scheibe	
26	4	BT.64123-87	Bolt 3/8-16 X 1 3/4	Bolt 3/8-16 X 1 3/4	Bolzen	
25	2	BT.B1001	Lager 1"	Pillow Block	Lager 1"	
24	1	BT.016591	Shaft. Slow Lift Cam	Shaft. Slow Lift Cam	Welle	Snijkop
23	1	BT.64123-72	Bolt Hex 1/2-13x 2 1/2	Bolt Hex 1/2-13 X 2 1/2	Bolzen	
22	1	BT.64001-8	Nut. Hex Jam 1/2-13	Nut, Hex Jam 1/2-13	Mutter	
21	1	BT.99-K63	Bolt. 1/2-13 X 2	Bolt, 1/2-13 X 2	Bolzen	
20	1	BT.016976	Bracket. Idler	Support	Trager	
19	3	BT.002295	Shim. 10 Ga	Shim	Scheibe	
18	1	BT.002016	Idler Chain	Chain	Kette	
17	4	BT.64141-6	Nut 5/16-18	Nut 5/16-18	Mutter	
16	2	KR.VE12516	Verb.Schakel 1/2 X 5/16"	Closing Link	Kettenglied	
15	5	90.125A12	Sluitring M12	Washer M12	Unterlegscheibe	
14	2	BT.D2902	Spanrol	Idler	Spannrolle	
13	1	BT.90-0814	Bolt 1/2 X 1 3/4	Bolt 1/2 X 1 3/4	Bolzen	
12	1	BT.64123-31	Bolt 1/2-13 X 3	Bolt 1/2-13 X 3	Bolzen	
11	1	BT.016404	Shaft. Cutting Head Jack 16"	Shaft-cutting Head 16	Welle	
10	2	BT.6550002	Lager 1"	Bearing	Lager	Met Lager Schaaltes
9	1	23.11730	Rollenketting 1/2"	Roller chain	Rollenkette	L=2438
8	3	BT.124422	Key ¼ X ¼ X 1 3/8	Key 1/4x1/4x 1 3/8	Passfeder 1/4 X 1/4 X 1 3/8	Spie = 6.35x6.35 -34.92
7	1	23.11740	Rollenketting 1/2"	Roller chain	Rollenkette	L=762
6	1	BT.D1108 *)	Tandwiel 18t	Sprocket 18t	Zahnrad 18 Zähne	
5	9	BT.F5018	Nut. Flanged Stover	Nut, Flanged Stover	Mutter	
4	4	BT.F5106	Bolt 1/2x 1 3/4 UNC	Bolt 1/2x 1 3/4	Bolzen	
3	2	BT.B1111	Lager 1-1/4"	Bearing Pillow Block 1-1/4"	Lager cone	
2	1	BT.015997	Roller 8"	Roller 8"	Roll 8"	
1	5	BT.64139-08	Bolt 5/16-18 X 3/4	Bolt	Bolzen	
Item	QTY	Reference	Omschrijving	Description	Benennung	Opmerking

Trilo BV
Astronaut 40
3824 MJ AMERSFOORT
the Netherlands

Tel +31(0)33 456 44 32
Fax +31(0)33 456 44 33
E-mail: info@trilo.com
www.trilo.com

**Afhakmes en rol
Snijkop**

**Abhackmesser
Schneidkopf**

**Cut off knife
Cuttinghead**



00.23-1112

Sheet: 2/4 | Dwg023.1100-D011

AVAILABLE SPROCKETS					
FIXED BORE					
Part nr.		Description		Part nr.	Description
D1102		40x15Tx3/4		D1201	50x15Tx1
D1103		40x15Tx1		D1202	50x18Tx2
D1104		40x16Tx5/8		D1203	s/o 50x15Tx3/4
D1105		40x16Tx3/4		D1204	s/o 50x16Tx3/4
D1106		40x16Tx1		D1205	s/o 50x15Tx7/8
D1107		40x17Tx1		D1206	50x11Tx1
D1108		40x18Tx1		D1207	s/o 50x14Tx1
D1109		40x19Tx5/8		D1208	s/o 50x14Tx1 1/4
D1110		40x19Tx3/4		D1210	s/o 50x26Tx1 3/8
D1111		40x20Tx1		D1214	50x13Tx1
D1112		40x25Tx1		D1216	50x16Tx1
D1113		40x24Tx3/4		D1217	s/o 50x12Tx5/8
D1114	s/o	40x24Tx1		D1219	s/o 50x24Tx1
D1115	s/o	40x11Tx7/8			
D1116		40x28Tx1			
D1117		40x21Tx1		D1302	60x10Tx1
D1118		40x28Tx7/8		D1303	60x13Tx1
D1119		40x19Tx7/8		D1304	60x12Tx1
D1121		40x14Tx1/2			
D1122	s/o	40x60Tx3/4			
D1124		40x12Tx1		D1301	80x13Tx1
D1125		40x29Tx7/8			
D1126	s/o	40x14Tx5/8			
D1127	s/o	40x11Tx1/2			
D1128	s/o	40x21Tx7/8		S/O = Special Order	
D1129		40x24Tx7/8			
D1130		40x16Tx7/8			
D1132		40x22Tx1			
D1133		40x25Tx7/8			
D1134		40x14Tx7/8			
D1135	s/o	40x14Tx1			
D1137	s/o	40x32Tx3/4			
D1139	s/o	40x32Tx1 3/16			
D1141		40x10Tx3/4			

Trilo BV
Astronaut 40
3824 MJ AMERSFOORT
the Netherlands

Afhakmes en rol
Snijkop

Abhackmesser
Schneidkopf

Cut off knife
Cuttinghead



00.23-1112

Sheet: 3/4 Dwg023.1100-D011

Tel +31(0)33 456 44 32
Fax +31(0)33 456 44 33
E-mail: Info@trilo.com
www.trilo.com

AVAILABLE SPROCKETS					
H BUSHINGS			P BUSHINGS		
Part nr.		Description	Part nr.		Description
D1401		40H15	D1443	s/o	40P24
D1402		40H16	D1441		40P28
D1403		40H17	D1442	s/o	40P29
D1404		40H18	D1417		40P30
D1405		40H19	D1418		40P31
D1406		40H20	D1419		40P32
D1407		40H21	D1420		40P33
D1408		40H22	D1421		40P34
D1409		40H23	D1422	s/o	40P35
D1410		40H24	D1423		40P36
D1411		40H25	D1424		40P37
D1412	s/o	40H26	D1425	s/o	40P38
D1413		40H27	D1426	s/o	40P39
D1414		40H28	D1427		40P40
D1415		40H29	D1428		40P41
D1416		40H30	D1429	s/o	40P42
			D1431		40P44
D1601	s/o	50H15	D1432		40P45
D1619	s/o	50H18	D1444	n/a	40P46
D1701	s/o	60H15	D1433		40P47
			D1434		40P48
			D1445	n/a	40P49
			D1435		40P50
S/O= Special Order			D1439		40P51
			D1440	s/o	40P52
N/A = Not Available			D1446	n/a	40P53
			D1436		40P54
			D1437		40P55
SUBSTITUTIONS			D1438		40P56
D1101	sub	D1124	15443		40P43
D1131	sub	D1103			
D1430	sub	15443			
D1602	sub	D1216	D1604	s/o	50P22
D1603	sub	D1216	D1606	s/o	50P24
D1605	sub	D1219	D1612	s/o	50P30
D1611	sub	D1201	D1618	s/o	50P23
			D1706	s/o	60P24
			D1709		60P27
			D1712	s/o	60P30

Trilo BV
Astronaut 40
3824 MJ AMERSFOORT
the Netherlands

Afhakmes en rol
Snijkop

Abhackmesser
Schneidkopf

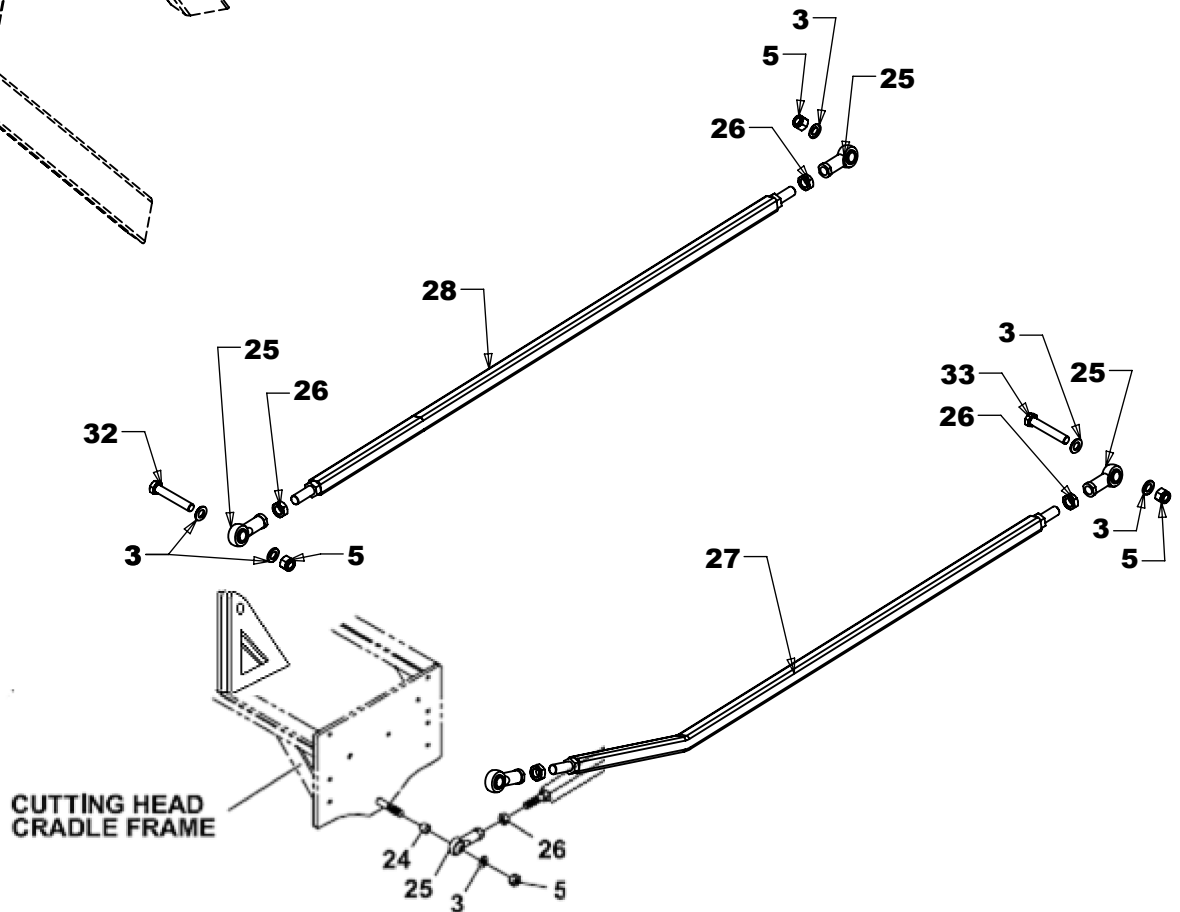
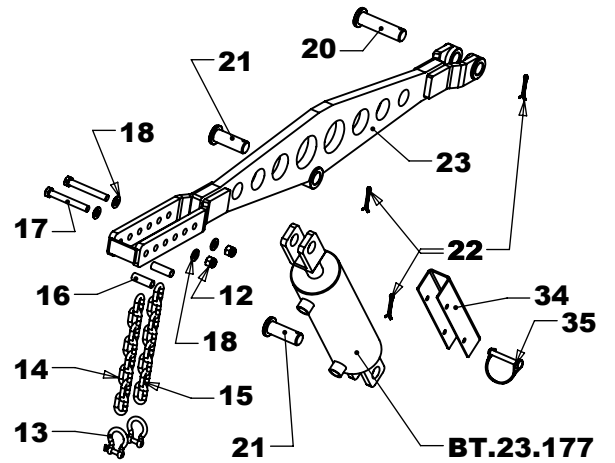
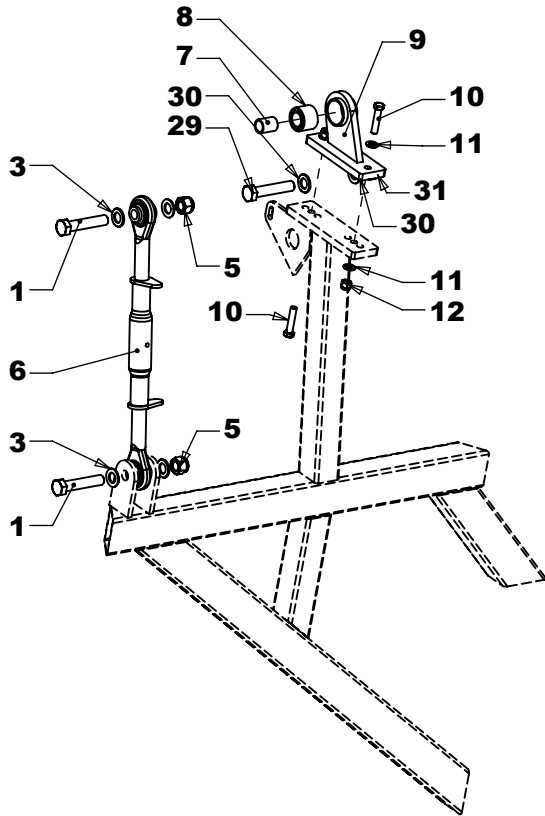
Cut off knife
Cuttinghead



00.23-1112

Sheet: 4/4 Dwg023.1100-D011

Tel +31(0)33 456 44 32
Fax +31(0)33 456 44 33
E-mail: Info@trilo.com
www.trilo.com



Trilo BV
 Astronaut 40
 3824 MJ AMERSFOORT
 the Netherlands

Tel +31(0)33 456 44 32
 Fax +31(0)33 456 44 33
 E-mail: Info@trilo.com
 www.trilo.com

Bevestiging Mainframe
Main conveyor

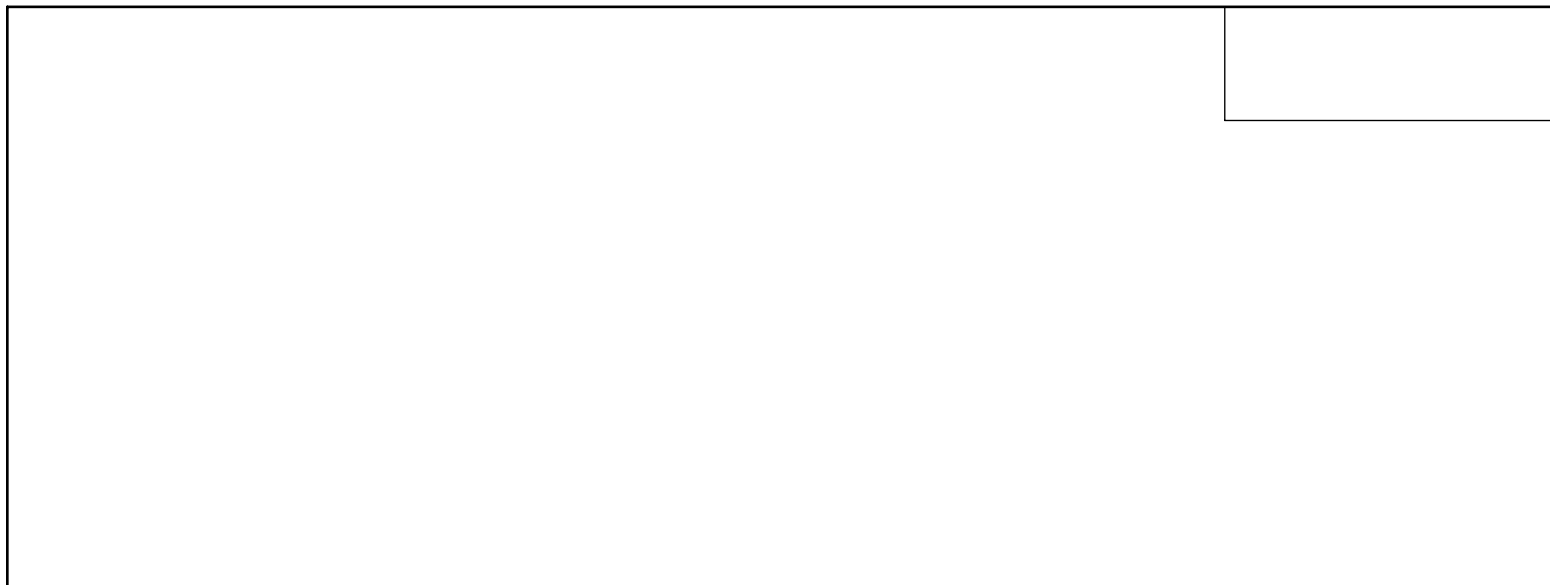
Befestigung
Haubtriemengestell

Mounting brackets
Main conveyor



00.23-1113

Sheet: 1/2 DWG023.1100-D013



35	2	KR.LP9568	Borgpen 9.5x68 mm	Lock Pin	Sicherungstift	
34	1	23.11180	Lift Safety	Lift Safety	"Hebe ""safety""	
33	1	BT.F7229	Kapbout 3/4x6	Bolt	Bolzen	
32	1	BT.F7219	Bout 3/4 X 3 1/2	Bout 3/4 X 3 1/2	Bolzen 3/4x3 1/2	
31	1	90.98578UNC	Zelfborgende Moer 7/8 UNC	Self-locking nut	Selbstsichernde mutter	
30	2	90.125A22	Sluitring M22	Washer	Unterlegscheibe	
29	1	90.931784UNC	Bout 7/8 UNC	Bolt	Bolzen	
28	1	23.11130	Geleidingsstang Snijkop 1576	Draw Bar	Zugstange	Boven
27	1	23.11120	Geleidingsstang Snijkop 1576	Draw Bar	Zugstange	Onder
26	4	KM.F231250	Moer 3/4 UNF R.H.	Nut 3/4 Unf R.H.	Mutter 3/4 Unf R.H.	Bt.F7005
25	4	BT.M0310	Kogelgewricht	Ball End	Kugelgelenk	
24	1	BT.015630	Spacer. Track Rod Mounting	Spacer, Track Rod Mounting	Abstandsrohr	
23	1	23.11100	Liftarm Snijkop	Lever	Hebel	
22	3	KR.94545	Splitpen 5x45	Cotter Pin Ø5x45	Splint	
21	2	23.110033	Borgpen 2 L=60	Pin	Stift	
20	1	23.110032	Borgpen 1 L=100	Pin	Stift	
18	4	HA.38430	Sluitring M12	Washer	Unterlegscheibe	DIN 7349
17	2	90.93112100	Zeskantbout M12x100	Hex.Bolt	Schraube	
16	2	23.11090	Bus hefketting	Bush	Buchse	
15	1	23.11080	Scheepsketting Blank 13mm	Chain	Kette	10 schakels
14	1	23.11070	Scheepsketting Blank 13mm	Chain	Kette	9 schakels
13	2	KR.HA12	Harpsluiting 1/2"	Bow Shackle	SchÄkel	
12	4	90.98512	Zelfborgende Moer M12	Self-locking Nut	Selbstsichernde Mutter	
11	4	90.125A12	Sluitring M12	Washer M12	Unterlegscheibe	
10	2	90.9331240	Tapbout M12x40	Hex Bolt M12x40	Schraube	
9	1	23.11050	Steunpunt Transportband	Support	Stütze	
8	1	ER.10040865	Scharnierbus Rubber	Pivot Rubber	Gelenk Gummi	28x48-36x34
7	1	23.11060	BusTransportbandsteun	Bush	Buchse	
6	1	KR.Z119288	Topstang 288mm Cat.1	Rod	Lenker	Ø19.4-Ø19.4
5	6	90.98534UNC	UNC Borgmoer 3/4 UNC Ve	Self-locking nut	Selbstsichernde mutter	
3	10	90.125A18	Sluitring M18	Washer	Unterlegscheibe	
1	2	BT.F7221	Bout 3/4x4	Bout 3/4x4	Bolzen	90-1232 + KR.931344UNC
Item	QTY	Reference	Omschrijving	Description	Benennung	Opmerking

Trilo BV
 Astronaut 40
 3824 MJ AMERSFOORT
 the Netherlands

 Tel +31(0)33 456 44 32
 Fax +31(0)33 456 44 33
 E-mail: Info@trilo.com
 www.trilo.com

Befestiging Mainframe
Main conveyor

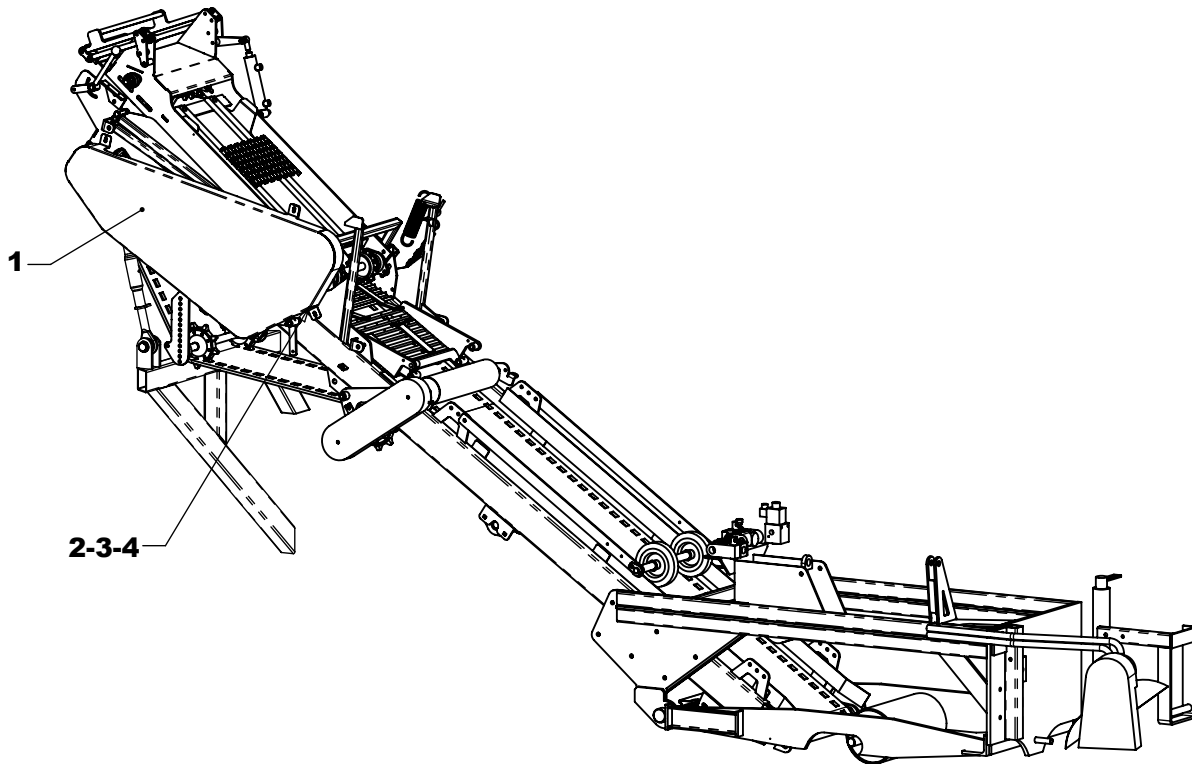
Befestigung
Haubtriemengestell

Mounting brackets
Main conveyor



00.23-1113

Sheet: 2/2 | Dwg023.1100-D013



4	4	90.127B8	Veerring M8	Spring Washer M8	Federring	
3	4	90.9021A8	Carr.Ring M8	Washer M8	Unterlegscheibe	
2	4	90.933816	Tapbout M8x16	Bolt M8x16	Schraube	
1	1	21.11741	Beschermkap Aandr. Oprolband	Guard	Schutzhaube	ZEILDAK
Item	QTY	Reference	Omschrijving	Description	Benennung	Opmerking

Trilo BV
 Astronaut 40
 3824 MJ AMERSFOORT
 the Netherlands
 Tel +31(0)33 456 44 32
 Fax +31(0)33 456 44 33
 E-mail: Info@trilo.com
 www.trilo.com

Beschermkap aandr. zeildak
Main conveyor

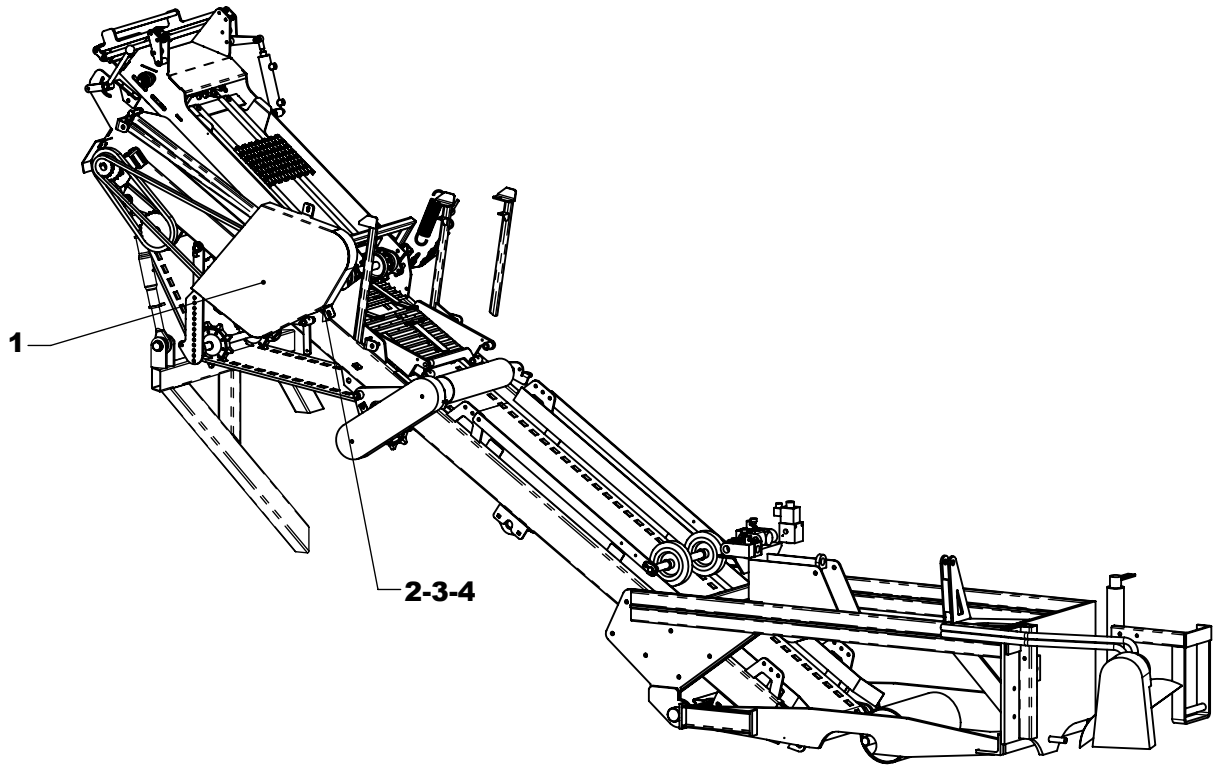
Schützhaube

Guard
 for use with Canopy



00.23-1117

Sheet: 1/1 | Dwg:023.1100-D 42



4	3	90.127B8	Veerring M8	Spring Washer M8	Federring	
3	3	90.9021A8	Carr.Ring M8	Washer M8	Unterlegscheibe	
2	3	90.933816	Tapbout M8x16	Bolt M8x16	Schraube	
1	1	21.11740	Beschermkap Aandr. Oprolband	Chain Covering	Ketten Belag	CABINE
Item	QTY	Reference	Omschrijving	Description	Benennung	Opmerking

Beschermkap aandr. cabine
Main conveyor

Schützhaube

Guard
for use with Cab

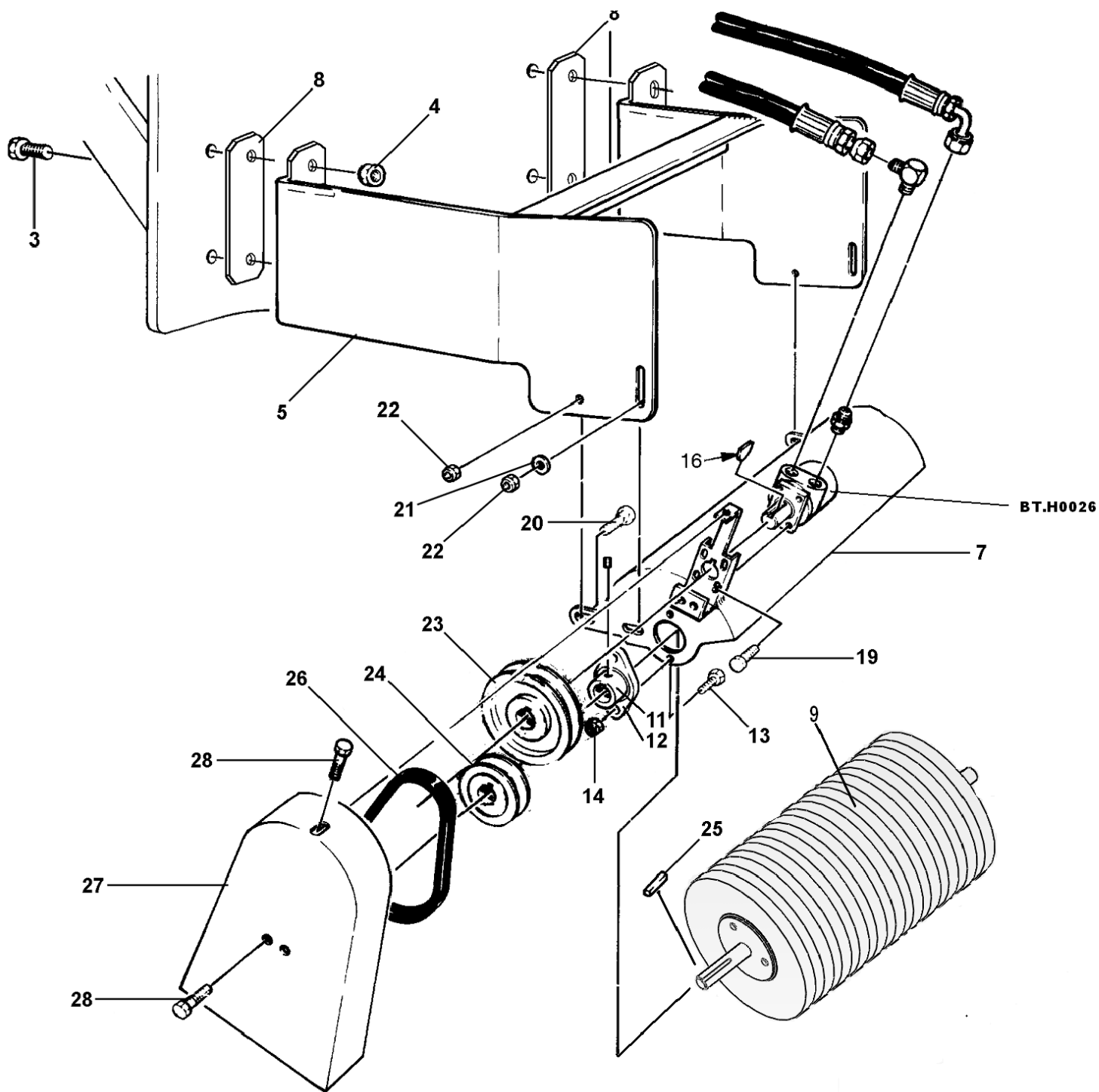


00.23-1118

Sheet: 1/1 | DWG:023.1100-D 43

Trilo BV
Astronaut 40
3824 MJ AMERSFOORT
the Netherlands

Tel +31(0)33 456 44 32
Fax +31(0)33 456 44 33
E-mail: Info@trilo.com
www.trilo.com



Trilo BV
 Astronaut 40
 3824 MJ AMERSFOORT
 the Netherlands

Frontborstel vast op snijkop
Brouwer



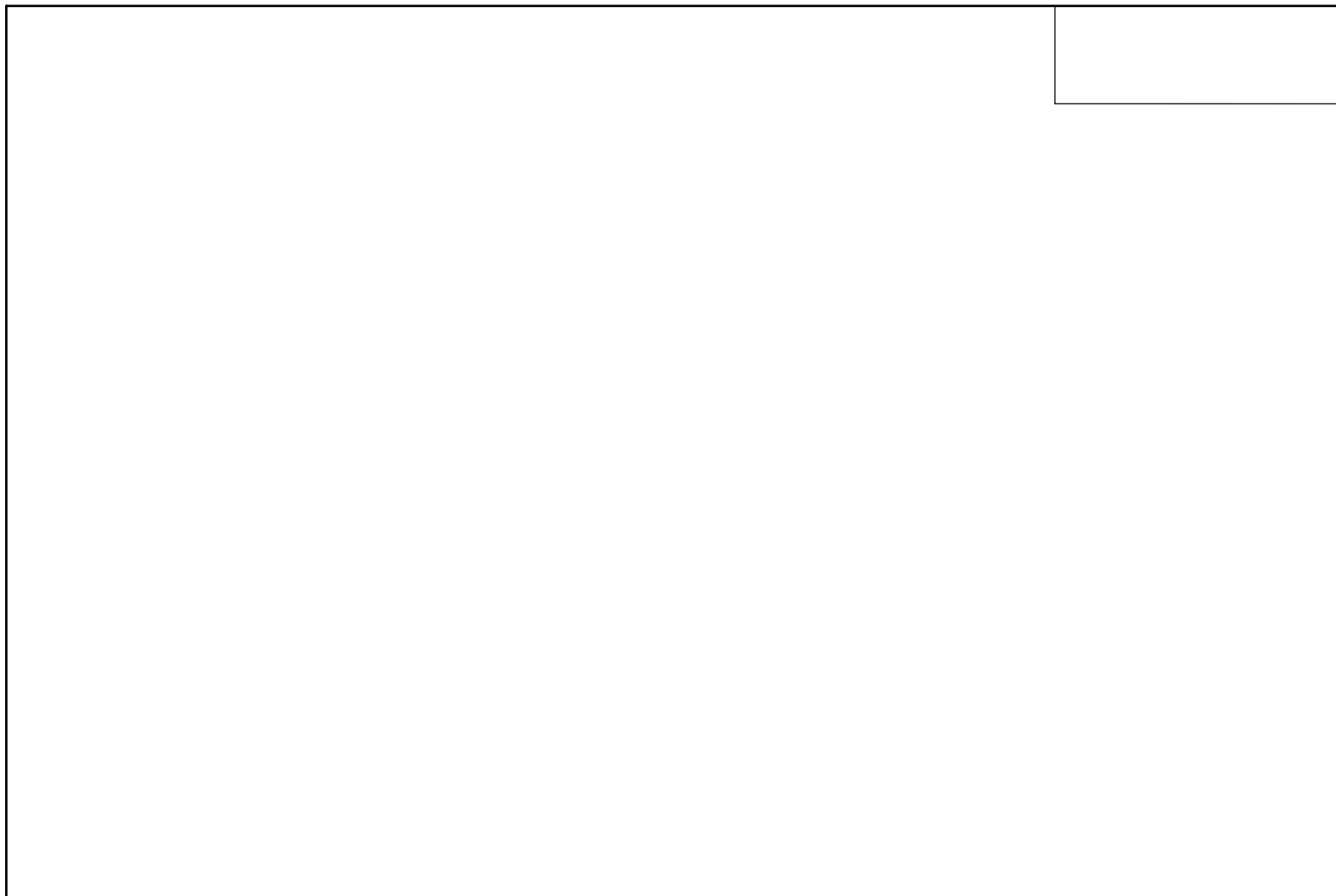
Tel +31(0)33 456 44 32
 Fax +31(0)33 456 44 33
 E-mail: Info@trilo.com
 www.trilo.com

feste Frontbürsten am
Brouwer Schneidkopf

Fixed Front Brush on
Brouwer Cutter Head

00.23-1153

Sheet: 1/2 | Dwg: 023.1153-D01



28	3	BT.64139-08	Bolt 5/16-18 X 3/4	Bolt	Bolzen	
27	1	BT.009259	Beschermkap. Borstelset	Guard	Schutzhaube	
26	1	BT.D2006	V-snaar B28	V-belt B28	Keilriemen B28	
25	1	BT.124422	Key 1/4 X 1/4 X 1 3/8	Key 1/4x1/4x 1 3/8	Passfeder 1/4 X 1/4 X 1 3/8	Spie = 6.35x6.35 -34.92
24	1	BT.D2207	Sheave	Sheave	Keilriemenscheibe	
23	1	BT.83-BK5016	Pulley. Bk50x1"	Pulley	Riemenscheibe	Was Bt.D2203
22	4	BT.F2014	Nut 5/16	Nut 5/16	Mutter	
21	2	90.9021A8	Carr.Ring M8	Washer M8	Unterlegscheibe	
20	4	BT.64018-15	Bolt 5/16 X 1	Bolt 5/16 X 1	Bolzen	Of 97-0508
19	4	BT.64139-21	Bolt-wlf 3/8-16x3/4	Bolt	Bolzen	Bt.F3204
16	1	BT.G8019	Woodruff Key 808	Woodruff Key 808	Passfeder	
14	4	BT.64141-6	Nut 5/16-18	Nut 5/16-18	Mutter	
13	4	BT.64123-68	Bolt Hex 5/16-18 X 1	Bolt Hex 5/16-18 X 1	Bolzen	
12	4	BT.B8008	Lagerschaal	Flange	Schale Lagerung	
11	2	BT.B8007	Lager 1"	Bearing	Lager	+ Bt.B8008 (2 Stuks)
9	1	00.100-0201	Ringborstel	Front Brush 40cm	Bürstenwalze 40cm	Aslengte = 685 40cm /bt.006680
8	2	BT.002321	Spacer-borstel montage	Spacer	Abstandsrohr	
7	1	BT.009249	Kap. Borstelset	Guard, Brush Kit	Schutzhaube	
5	1	BT.016420.7	Frame-rotary Brush	Frame-rotary Brush	Rahmen Burstensatz	
4	4	BT.64141-13	Nut 1/2-13	Nut Wlf 1/2-13	Mutter	
3	4	BT.90-0814	Bolt 1/2 X 1 3/4	Bolt 1/2 X 1 3/4	Bolzen	
Item	QTY	Reference	Omschrijving	Description	Benennung	Opmerking

Trilo BV
 Astronaut 40
 3824 MJ AMERSFOORT
 the Netherlands

 Tel +31(0)33 456 44 32
 Fax +31(0)33 456 44 33
 E-mail: Info@trilo.com
 www.trilo.com

Frontborstel vast op snijkop
Brouwer

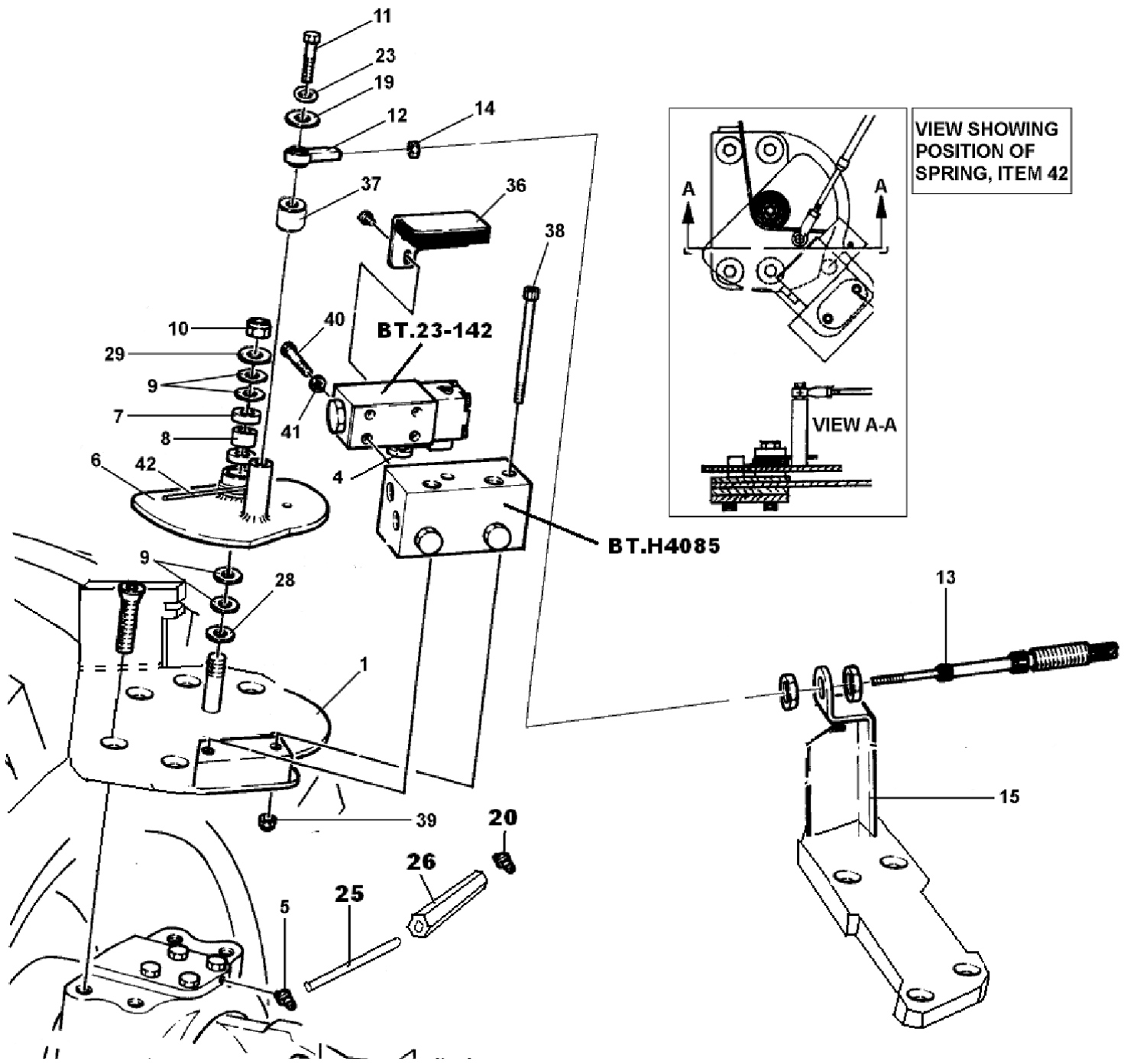
feste Frontbürsten am
Brouwer Schneidkopf

Fixed Front Brush on
Brouwer Cutter Head



00.23-1153

Sheet: 2/2 | DWG: 023.1153-D01



VIEW SHOWING POSITION OF SPRING, ITEM 42

VIEW A-A

BT.23-142

BT.H4085

Trilo BV
Astronaut 40
3824 MJ AMERSFOORT
the Netherlands

Autosteer op fusee
brouwer



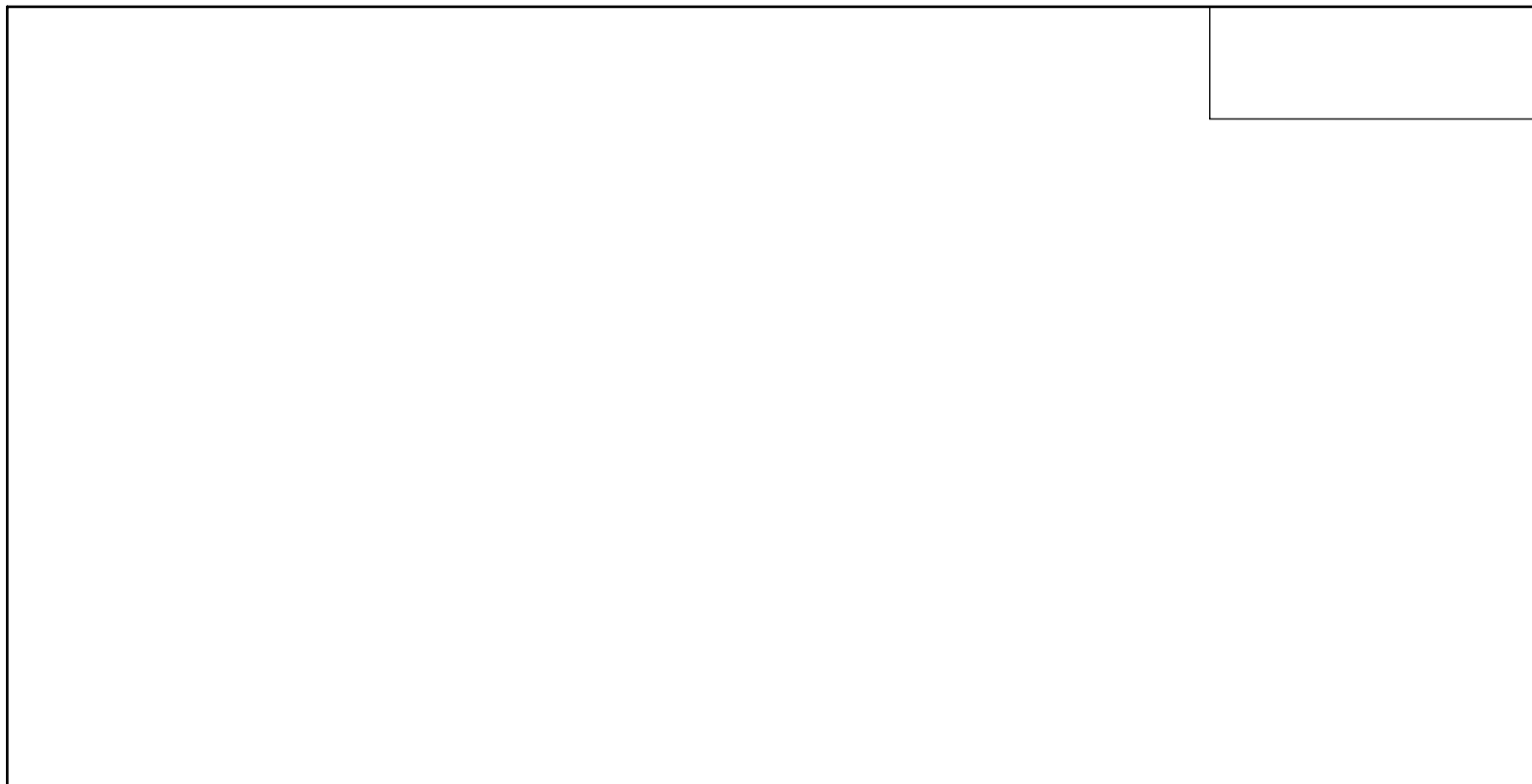
Tel +31(0)33 456 44 32
Fax +31(0)33 456 44 33
E-mail: Info@trilo.com
www.trilo.com

Autosteer auf Aschschenkel
brouwer

Autosteer on fusee
brouwer

00.23-1310

Sheet: 1/2 DWG: 023.1310-D01



42	1	BT.016796	Spring. Autosteer Backlash			
41	4	BT.F1002	Jam Nut			
40	4	BT.F0350	Screw. Hex Socket Cap			
39	2	BT.F1003	Borgmoer 1/4" UNC			
38	2	BT.F1735	Screw			
37	1	BT.6115506	Spacer			
36	1	BT.016664	Afdekplaat Valve			
29	1	15.15240	Schijf Ø58x8 - Ø17			
28	4	BT.64163-67	Washer-5/16 X 1 X 12			
26	1	90.63346	Verbindingsmoer M6			
25	1	23.13600	Hydr.Leiding 6x 1.5 Verz.			lengte = 60mm 2xM6
23	1	90.127B6	Veerring M6			
20	1	KR.GN61180	Vetnippel M6 180°			
19	1	90.125A6	Sluitring M6			
15	1	23.13300	Bevestiging Kabels V-as			
14	1	BT.F1006	Moer 1/4 UNF			
13	1	BT.M5270	Cable. Push/pull			
12	1	BT.43-004A	Rod End.1/4" (all Steel)			
11	1	90.933620	Tapbout M6x20			
10	1	BT.F5012	Nylon Locknut 1/2			
9	4	90.125A12	Sluitring M12			
8	1	BT.015256	Spacer. Sensor Pivot Us			
7	2	BT.B2010	Lager 1/2"			
6	1	23.13550	Stuurplaat Sensor Autosteer			
5	1	KR.GN6190	Vetnippel M6 90°			
4	1	BT.A02027	Autosteer Trip Arm Assembly			
1	1	23.13500	Grondplaat Sensor Autosteer			
Item	QTY	Reference	Omschrijving	Description	Benennung	Opmerking

Trilo BV
 Astronaut 40
 3824 MJ AMERSFOORT
 the Netherlands

 Tel +31(0)33 456 44 32
 Fax +31(0)33 456 44 33
 E-mail: Info@trilo.com
 www.trilo.com

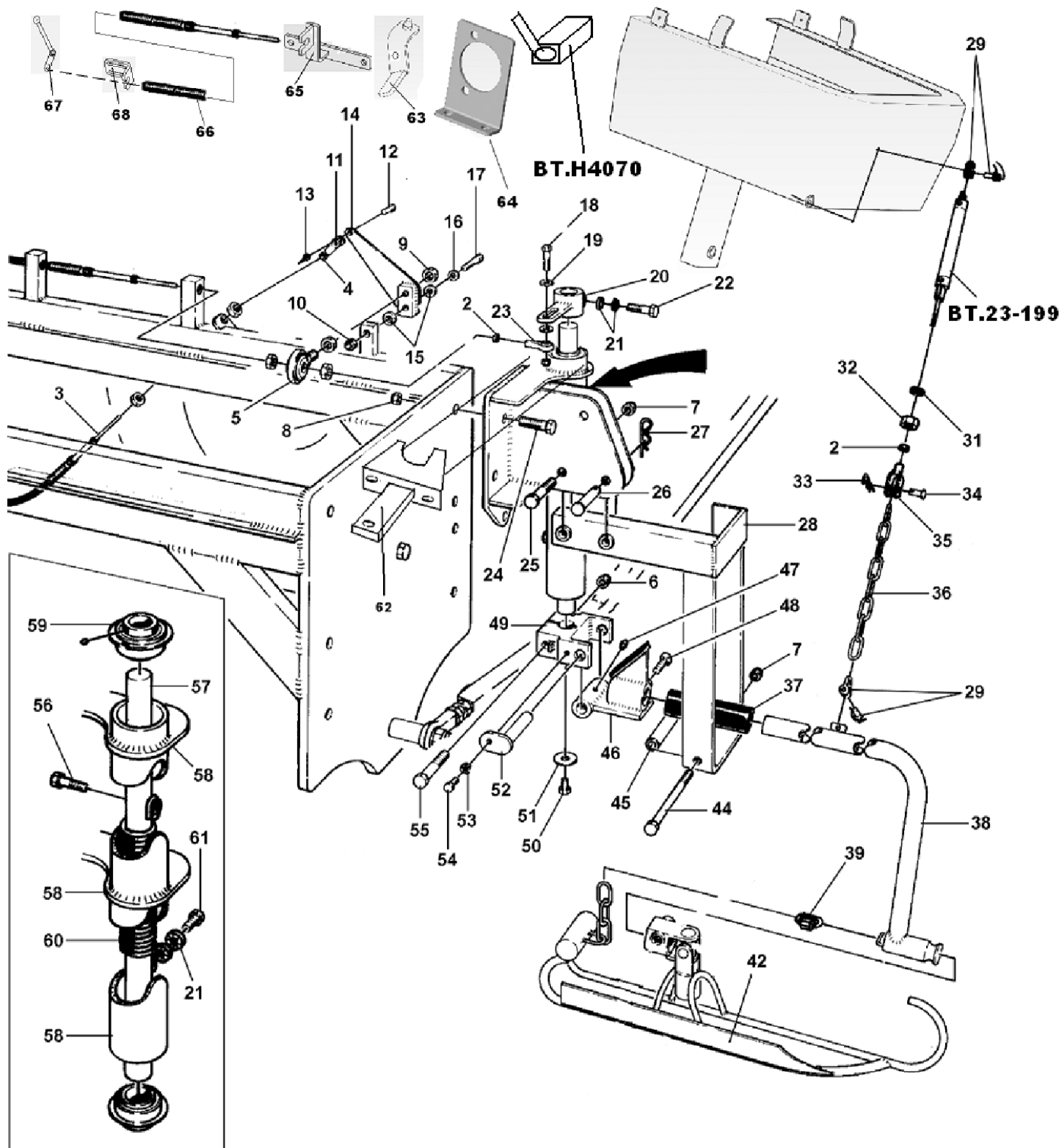
**Autosteer op fusee
 brouwer**

**Autosteer auf Aschschenkel
 brouwer**

**Autosteer on fusee
 brouwer**



00.23-1310
 Sheet: 2/2 | DWG: 023.1310-D01



Trilo BV
Astronaut 40
3824 MJ AMERSFOORT
the Netherlands

Autosteer op snijkop
brouwer

Tel +31(0)33 456 44 32
Fax +31(0)33 456 44 33
E-mail: Info@trilo.com
www.trilo.com

Autosteer auf Schneidkopf
brouwer

Autosteer on cutterhead
brouwer



00.23-1312

Sheet: 1/3 DWG: 023.1310-D03

50	1	BT.64139-21	Bolt-wlf 3/8-16x3/4	Bolt	Bolzen		BT.F3204
49	1	BT.015102	Shoe Arm Support Pivot	Shoe Arm Support Pivot	Shoe Arm Halterung		
48	2	BT.F3603	Stelschroef 3/8 X 3/4"	Set Screw 3/8 X 3/4	Schraube 3/8 X 3/4		
47	1	BT.M0002	Smeernippel 1/4	Grease nipple	Schmierkopf		29-045
46	1	BT.015061	Shoe Arm Support	Shoe Arm Support	Shoe Arm Halterung		
45	1	BT.016417	Roller	Roller	Roll		
44	1	BT.90-0860	Bout 1/2 X 7 1/2	Bolt	Bolzen		
42	1	BT.A21175	Slof Automatische Besturing	Auto Steer Shoe	Führungsschuh Autom.Lenkung		
39	1	BT.G8084	Link	Link	Verbindungstück		
38	1	BT.015110	Shoe Arm	Shoe Arm	Shoe Arm		
37	1	BT.016114	Polypipe Bumper	Polypipe Bumper	Polyrohr Bumper		
36	1	23.11750	Voetketting Verz. Nr.30	Chain	Kette		L=18 schakels
35	1	BT.43-Y0404F	Gaffel. 1/4-28	Yoke End, 1/4-28	Yoke End		
34	1	BT.64188-06	Clevis Pin 1/4x.77	Clevis Pin 1/4x.77	Bolzen		
33	1	BT.G2510	Hitch Pin	Hitsch Pin	Bolzen		
32	1	BT.016310	Retainer Nut (h0716)	Retainer Nut (h0716)	Mutter		
31	1	BT.E8024	Keerring	Seal	Ölring		
29	2	BT.G8048	Shacle. Anchor	Shacle. Anchor	Schäkel		
28	1	BT.016428.7	Guide. Auto Steer Shoe	Guide. Auto Steer Shoe	Halterung Shoe		
27	1	BT.G2503	Hitch Pin Clip	Hitsch Pin Clip	Clip		
26	1	BT.03-0820	Clevis Pin	Clevis Pin	Bolzen		Was G2022
25	1	BT.64123-72	Bolt Hex 1/2-13x 2 1/2	Bolt Hex 1/2-13 X 2 1/2	Bolzen		
24	3	BT.64123-117	Bolt Hex 1/2-13x 1 1/2	Bolt Hex 1/2-13 X 1 1/2	Bolzen1/2-13 X 1 1/2		
23	1	BT.43-004A	Rod End.1/4" (all Steel)	Eye	Kabel Öse		
22	1	BT.64123-87	Bolt 3/8-16 X 1 3/4	Bolt 3/8-16 X 1 3/4	Bolzen		
21	2	BT.F3076	Veerring 3/8	Spring washer	Federring 3/8"		
20	1	BT.016469	Arm. Top Linkage	Lever	Ausleger		BT.016469.18 of .7
19	2	90.9021A6	Carr.Ring M6	Washer M6	Unterlegscheibe		
18	1	BT.64123-80	Bolt 3/8-16 X 1 1/4	Bolt 3/8-16 X 1 1/4	Bolzen 3/8-16 X 1 1/4		
17	1	BT.64123-67	Bolt 3/8-16 X 2	Bolt 3/8-16 X 2	Bolzen 3/8-16 X 2		
16	1	BT.64163-61	Washer .81x.406x16ga	Washer .81x.406x16ga	Scheibe		
15	2	BT.301691	Friction Washer	Friction Washer	Federring		
14	1	BT.016530.6	Cable, arm	Bracket	Halter		
13	1	BT.64140-2	Cotter pin 1/16x1/2	Cotter pin	Splint		
12	1	BT.03-0305	Clevis Pin 3/16 X 5/8	Clevis Pin 3/16 X 5/8	Bolzen		
11	1	BT.43-Y0303F	Gaffel. 10-32 Draad X 3/16	Yoke, 10-32 Thrd 3/16"	Gabel		
10	2	BT.64229-03	Locknut. Nylon 3/8-16	Locknut, Nylon 3/8-16	Mutter		
9	1	BT.99-E11	Contra-moer 5/8 UNF	Nut	Mutter		
8	3	BT.64141-13	Nut 1/2-13	Nut Wlf 1/2-13	Mutter		
7	2	BT.F5018	Nut. Flanged Stover	Nut, Flanged Stover	Mutter		
6	1	BT.64229-05	Locknut 1/2-13	Lock nut	Sicherungsmutter		
5	1	BT.M0302	Stangeind R/h	Rod End	Stangenende		
4	1	BT.64025-03	Nut. Hex 5/16-24	Nut, Hex 5/16-24	Mutter		
3	1	22.20204	Fijnverstell. Kabel Autosteer	Cable Fine Adjustm.	Kabel		1576 Snijkop
2	2	BT.F1006	Moer 1/4 UNF	Nut, Jam 1/4 Unf	Mutter, 1/4 Unf		
Item	QTY	Reference	Omschrijving	Description	Benennung		Opmerking

Trilo BV
Astronaut 40
3824 MJ AMERSFOORT
the Netherlands

Autosteer op snijkop
brouwer

Autosteer auf Schneidkopf
brouwer

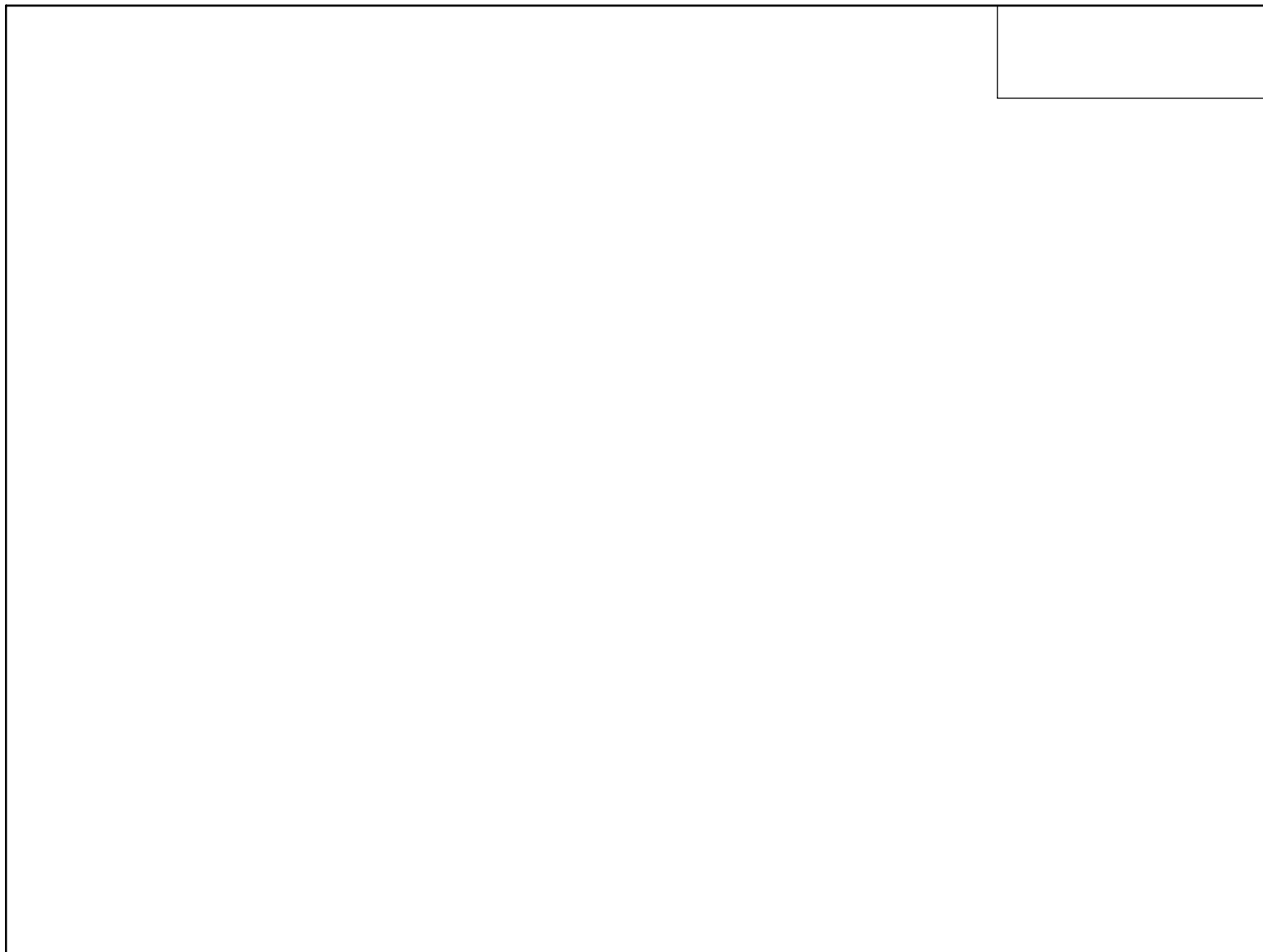
Autosteer on cutterhead
brouwer



00.23-1312

Sheet: 2/3 DWG: 023.1310-D03

Tel +31(0)33 456 44 32
Fax +31(0)33 456 44 33
E-mail: info@trilo.com
www.trilo.com



68	1	21.11410	Gaffel Autosteer	Yoke	Gabel	
67	1	21.11400	Bedieningshevel Autosteer	Lever Autosteer On/off	Hebel	
66	1	21.20203	Autosteer Kabel On/off	Autosteer Cable	Autosteuerungskabel	
65	1	21.12240	Steun Autosteerkabel Aan-uit	Support	Stütze	
64	1	21.12260	Steun Autosteerklep	Support	Stütze	
63	1	21.12250	Hevel Autosteerkabel Aan-uit	Lever	Hebel	
62	1	23.11801	Sensor Steun Autosteer-Kolom	Sensor bracket	Signalgeber stütze	
61	1	BT.64123-15	Bolt 3/8-16 X3/4	Bolt 3/8-16 X3/4	Bolzen 3/8-16 X3/4	
60	1	BT.015099	Shoe Column Spring W/a	Shoe Column Spring W/a	Shoe Halterung Feder	
59	2	BT.B2022	Lager	Bearing Idler	Lager	
58	1	BT.016418	Column autosteer	Column autosteer	Halterung autosteer	
57	1	BT.016498	Shaft. Shoe Column	Shaft. Shoe Column	Welle	
56	1	BT.64123-87	Bolt 3/8-16 X 1 3/4	Bolt 3/8-16 X 1 3/4	Bolzen	
55	1	BT.64123-31	Bolt 1/2-13 X 3	Bolt 1/2-13 X 3	Bolzen	
54	1	BT.64123-89	Bolt hex 1/4-20 X 3/4	Bolt hex 1/4-20 X 3/4	Bolzen	
53	1	BT.64006-01	Lockwasher 1/4	Spring washer	Federring	
52	1	BT.015059	Shoe Arm Pivot Pin	Shoe Arm Pivot Pin	Shoe Arm Pin	
51	1	BT.99-B16	Flatwasher 3/8x 1 1/2	Washer	Unterlegscheibe	
Item	QTY	Reference	Omschrijving	Description	Benennung	Opmerking

Trilo BV
 Astronaut 40
 3824 MJ AMERSFOORT
 the Netherlands

 Tel +31(0)33 456 44 32
 Fax +31(0)33 456 44 33
 E-mail: Info@trilo.com
 www.trilo.com

**Autosteer op snijkop
 brouwer**

**Autosteer auf Schneidkopf
 brouwer**

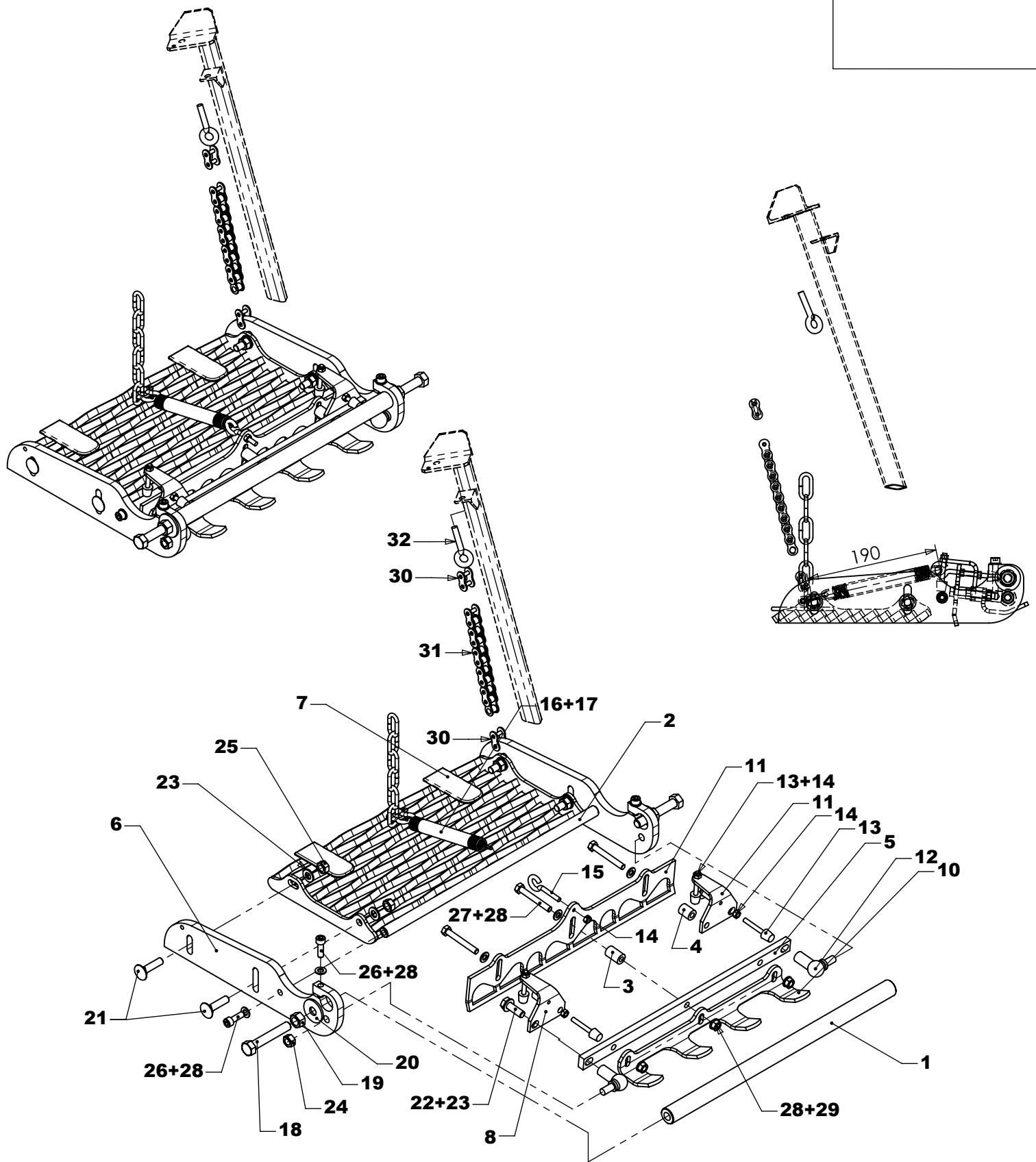
**Autosteer on cutterhead
 brouwer**



00.23-1312
 Sheet: 3/3 | Dwg: 023.1310-D03

REVISIONS						
ZONE	REV.	DESCRIPTION			DATE	APPROVED
	A	Art.nr.23.11790 van 238mm naar 304mm nu 220mm lang			10-10-2007	HH
32	2	HB.089610	Schroefoog M8x100x10	Eye bolt	Schrauböse	
31	2	23.11790	Rollenketting 5/8	Roller chain	Rollenkette	L= 220
30	4	KR.VE5838	Verb.Schakel 5/8" X 3/8"	Closing Link 5/8"	Kettenglied	
29	3	90.9858	Zelfborgende Moer M8	Self Locking Nut M8	Selbstsichernde Mutter M8	
28	10	90.125A8	Sluitring M8	Washer M8	Unterlegscheibe	
27	3	90.931860	Zeskantbout M8x60	Hex.Bolt M8x60	Schraube	
26	4	90.912825	Cil.Inbusbout M 8x 25	Cylinder head screw	Zylinderschraube	
25	4	90.98510	Zelfborgende Moer M10	Self-locking nut M10	Selbstsichernde mutter M10	
24	2	90.93410	Moer M10	Nut	Mutter	
23	6	90.125A10	Sluitring M10	Washer M10	Unterlegscheibe M10	
22	2	90.9331030	Tapbout M10x30	Hex Bolt	Schraube	
21	4	90.6031030	Slotbout M10x30	Carriage Bolt	Flachrundschrabe	
20	2	90.9021A12	Carr.Ring M12	Washer	Unterlegscheibe	
19	2	90.93412UNF	Moer 1/2"	Nut 1/2"	Mutter 1/2"	
18	2	90.931123UNF	Zeskantbout 1/2"x3" UNF	Hex.bolt 1/2"x3" UNF	Schraube 1/2"x3" UNF	= BT.F5735
17	1	KR.HA06	Harpsluiting 1/4"	Bow Shackle 1/4"	SchÄkel 1/4"	
16	1	BT.001277	Veer Starter Tray	Starter Tray Spring	Feder Aufrollgitter	
15	1	KR.SO064E	Schroefoog M6x40	Eye bolt	Schrauböse	
14	5	90.9346	Moer M6	Nut M6	Mutter	
13	4	96.01210	Bout Met Rubber Kop M6x40	Rubber Bumper	Gummi Stossblock	
12	2	KR.CA98530	Kogelgewricht M10	Ball joint	Kugelgelenk	
11	1	96.010112	Lip links	Support Left	Stütze Links	Est 907
10	1	96.010111	Glijplaat Met Lippen	Sliding plate	Gleitpatten	Est 907
9	1	96.010110	Middenplaat	Centerplate	Mittenplatte	Est 907
8	1	96.010109	Lip rechts	Support Richt	Stütz Rechts	Est 907
7	2	96.010108	Oprolrekje Los	Starter tray	Gitter Verstellb. Aufroltray	Est 907.verstellb.Startertray
6	2	96.010107	Zijplaat Startertray	Side plate	Seite plate	Est 907
5	1	96.010106	Strip	Strip	Streifen	
4	2	96.010205	Bus 16x4-20	Bush	Buchse	
3	1	96.010204	Bus 16x4-25	Bush	Buchse	
2	1	96.010203	Hoofdas 16 mm Starter Tray	Axle	Achse	
1	1	96.010202	Hoofdas 25 mm Startertray	Axle	Achse	
Item	QTY	Reference	Omschrijving	Description	Benennung	Opmerking

Trilo BV Astronaut 40 3824 MJ AMERSFOORT the Netherlands Tel +31(0)33 456 44 32 Fax +31(0)33 456 44 33 E-mail: info@trilo.com www.trilo.com	Starter Tray. Verstelbaar		
	Aufrollgitter, Verstellbar	Starter Tray, Adjustable	



Trilo BV
Astronaut 40
3824 MJ AMERSFOORT
the Netherlands

Starter Tray. Verstelbaar

Aufrollgitter, Verstellbar

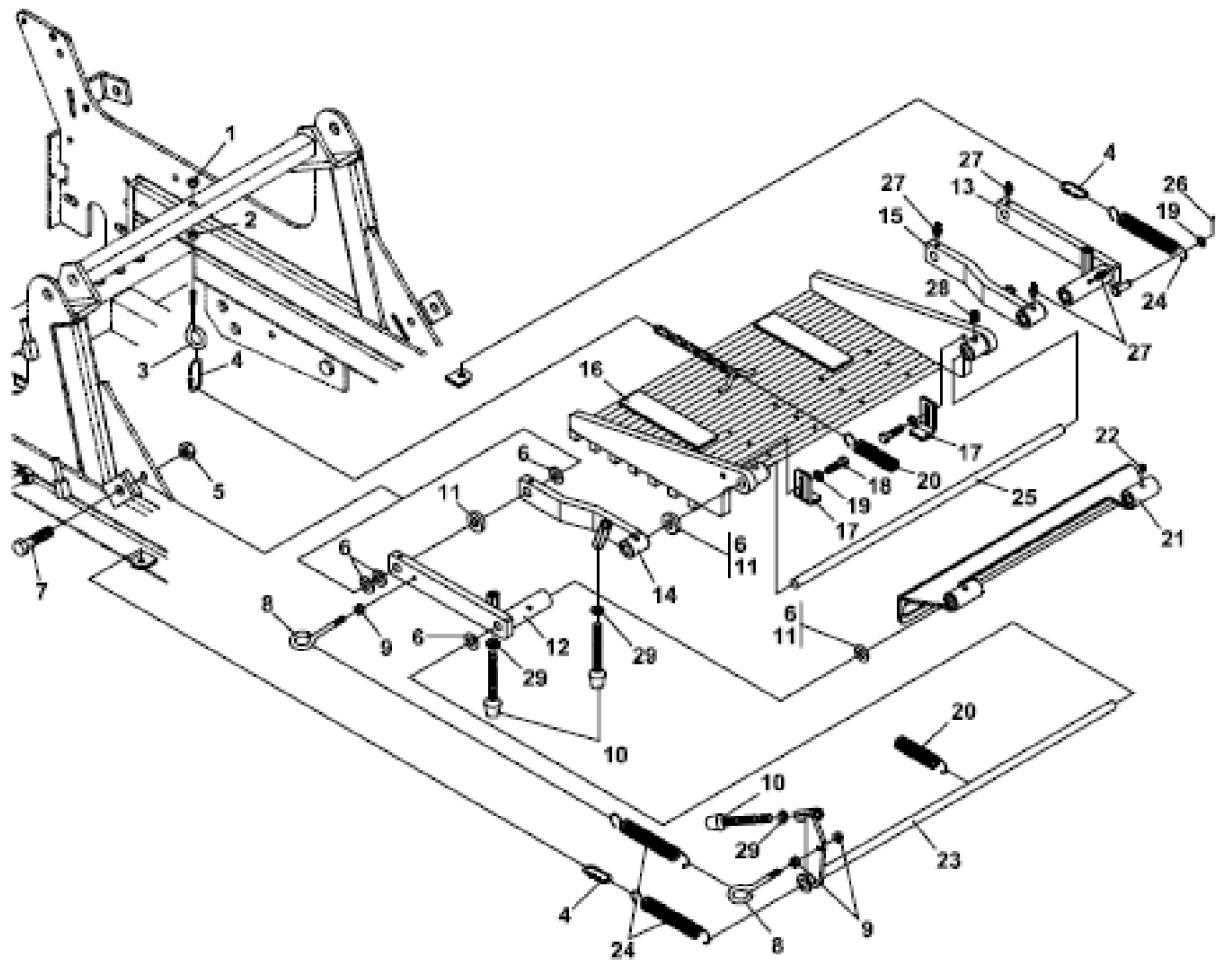
Starter Tray, Adjustable



00.36-0100

Sheet: 2/2 | Dwg: 036.0100-D0

Tel +31(0)33 456 44 32
Fax +31(0)33 456 44 33
E-mail: Info@trilo.com
www.trilo.com



Item	QTY	Reference	Omschrijving	Description	Benennung	Opmerking
------	-----	-----------	--------------	-------------	-----------	-----------

1	1	BT.A03016	Starter Tray Assy 16	Starter Tray Assy 16	Starter Tray Assy 16	
---	---	-----------	----------------------	----------------------	----------------------	--

Trilo BV
 Astronaut 40
 3824 MJ AMERSFOORT
 the Netherlands
 Tel +31(0)33 456 44 32
 Fax +31(0)33 456 44 33
 E-mail: Info@trilo.com
 www.trilo.com

Starter Tray Brouwer
Aufrollgitter BROUWER

Starter tray BROUWER



00.36-0201

Sheet: 1/2 Dwg: 036.0201-D 0

ITEM	PART NO.	DESCRIPTION	QTY	ITEM	PART NO.	DESCRIPTION	QTY
SERVICE KITS							
A02145		KIT-STARTER TRAY LINK ARM		48-16	6115834.7	STARTER TRAY (USED ON 16" & 18" ONLY)	1
6115857.7		LINK ARM WLDMT	1		6115835.7	STARTER TRAY (USED ON 24" ONLY)	1
F3748		BOLT	1				
29-010		GREASE FITTING	2	48-17	6115861.7	STOP-STARTER TRAY	2
64001-6		NUT-HEX JAM,3/8-16	1	48-18	64123-54	BOLT, 5/16-18X3/4	2
				48-19	64163-02	WASHER	3
A02146		KIT-STARTER TRAY LINK ARM		48-20	001277	SPRING-STARTER TRAY	1
6115858.7		LINK ARM WLDMT	1	48-21	6115825.7	STARTER GATE (USED ON 16" & 18" ONLY)	1
F3748		BOLT	1		6115826.7	STARTER GATE (USED ON 24" ONLY)	1
29-010		GREASE FITTING	2				
64001-6		NUT-HEX JAM,3/8-16	1	48-22	85-SS12	SET SCREW	2
				48-23	6115862.7	PIVOT ROD WLDMT (USED ON 16" & 18" ONLY)	1
A02147		KIT-STARTER TRAY LINK ARM			6115864.7	PIVOT ROD WLDMT (USED ON 24" ONLY)	1
6115859.7		LINK ARM WLDMT	1				
F3748		BOLT	1	48-24	001279	SPRING-SCRAPER BLADE	3
29-010		GREASE FITTING	2	48-25	6115891	ROD-STARTER TRAY PIVOT (USED ON 16" & 18" ONLY)	1
64001-6		NUT-HEX JAM,3/8-16	1		6115892	ROD-STARTER TRAY PIVOT (USED ON 24" ONLY)	1
48-1	64229-02	LOCKNUT-NYLON 5/16-18	1	48-26	02-CP0308	COTTER PIN	1
48-2	64025-02	NUT-HEX 5/16-18	1	48-27	29-010	GREASE FITTING	8
48-3	002102	EYEBOLT-STARTER TRAY	1	48-28	85-SS14	SET SCREW	2
48-4	G8084	QUICK LINK-3/16	3	48-29	64001-6	NUT-HEX JAM,3/8-16	5
48-5	F5012	NUT-JAM	2				
48-6	64163-67	WASHER-.516X1X12	A/R				
48-7	64123-72	BLT-HEX 1/2-13X2-1/2	2				
48-8	99-K25	EYE-BOLT 1/4 X 2	2				
48-9	64141-2	NUT-WLF 1/4-20	3				
48-10	F3748	BOLT	5				
48-11	99-B12	SPACER	A/R				
ITEMS 12 - 15 SEE ABOVE							
48-12	6115857.7	LINK ARM WLDMT	1				
48-13	6115858.7	LINK ARM WLDMT	1				
48-14	6115859.7	LINK ARM WLDMT	1				
48-15	6115860.7	LINK ARM WLDMT	1				

Trilo BV
Astronaut 40
3824 MJ AMERSFOORT
the Netherlands

Starter Tray Brouwer



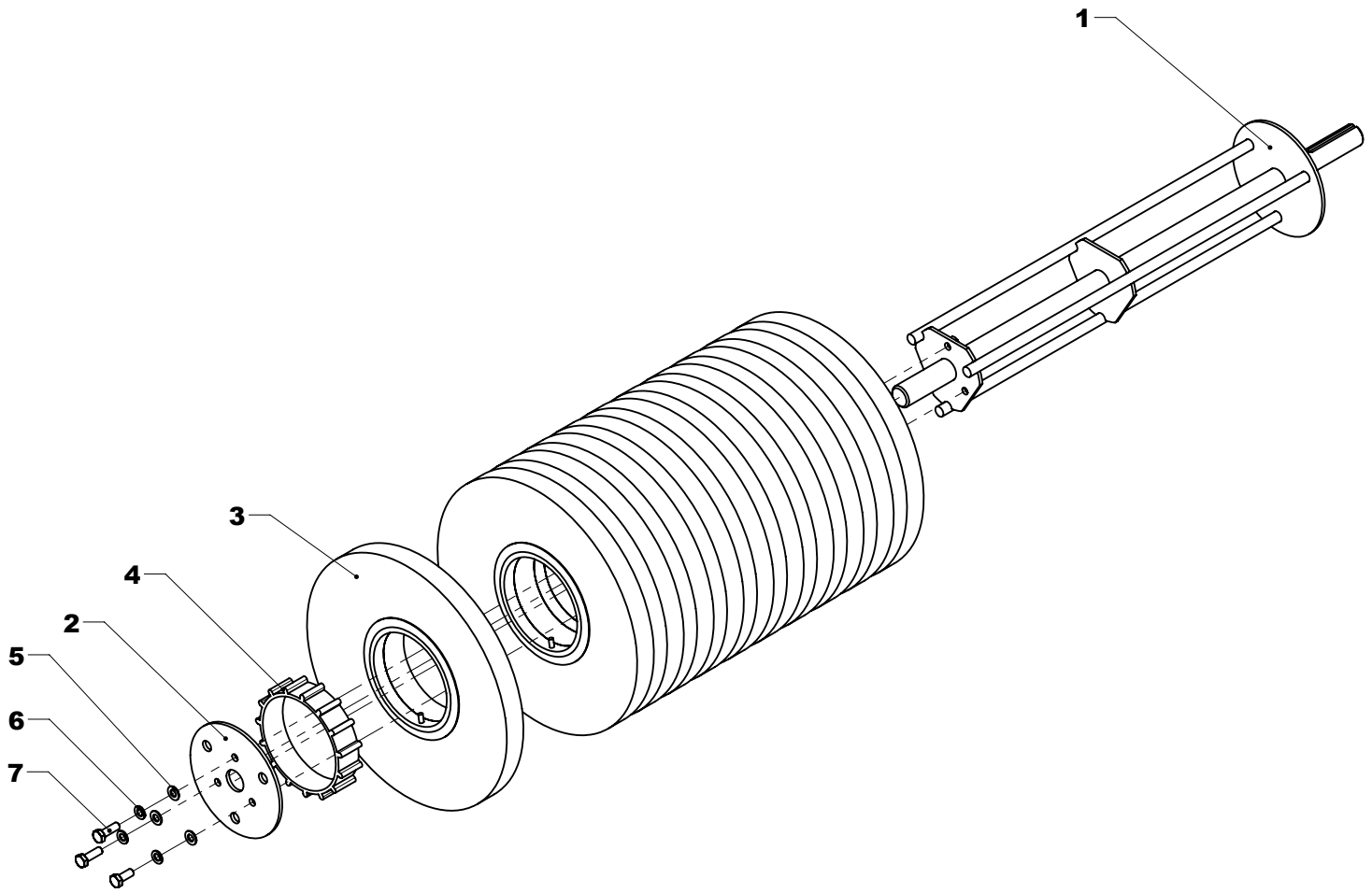
Aufrollgitter BROUWER

Starter tray BROUWER

00.36-0201

Sheet: 2/2 | Dwg: 036.0201-D 0

Tel +31(0)33 456 44 32
Fax +31(0)33 456 44 33
E-mail: Info@trilo.com
www.trilo.com



7	3	90.933825	Tapbout M8x25	Hex Bolt M8x25	Schraube	
6	3	90.127B8	Veerring M8	Spring Washer M8	Federring	
5	3	90.125A8	Sluitring M8	Washer M8	Unterlegscheibe	
4	11	15.104340	Vulring Kunststof 30mm	Shim	Distanzscheibe	
3	11	15.104320	Borstelring 110x300mm	Brush Disc	Burstescheibe	Kunststof
2	1	15.104130	Eindplaat Ringborstel-as	Lock Plate	Platte	
1	1	100.02002	Ringborstel-as 685 Lang	Ring brush shaft	Ringe bürstenachse	BROUWER Steker
Item	QTY	Reference	Omschrijving	Description	Benennung	Opmerking

Trilo BV
Astronaut 40
3824 MJ AMERSFOORT
the Netherlands

Tel +31(0)33 456 44 32
Fax +31(0)33 456 44 33
E-mail: Info@trilo.com
www.trilo.com

Ringborstel
Aslengte = 685 40cm /bt.006680

"Borstel 16"
"

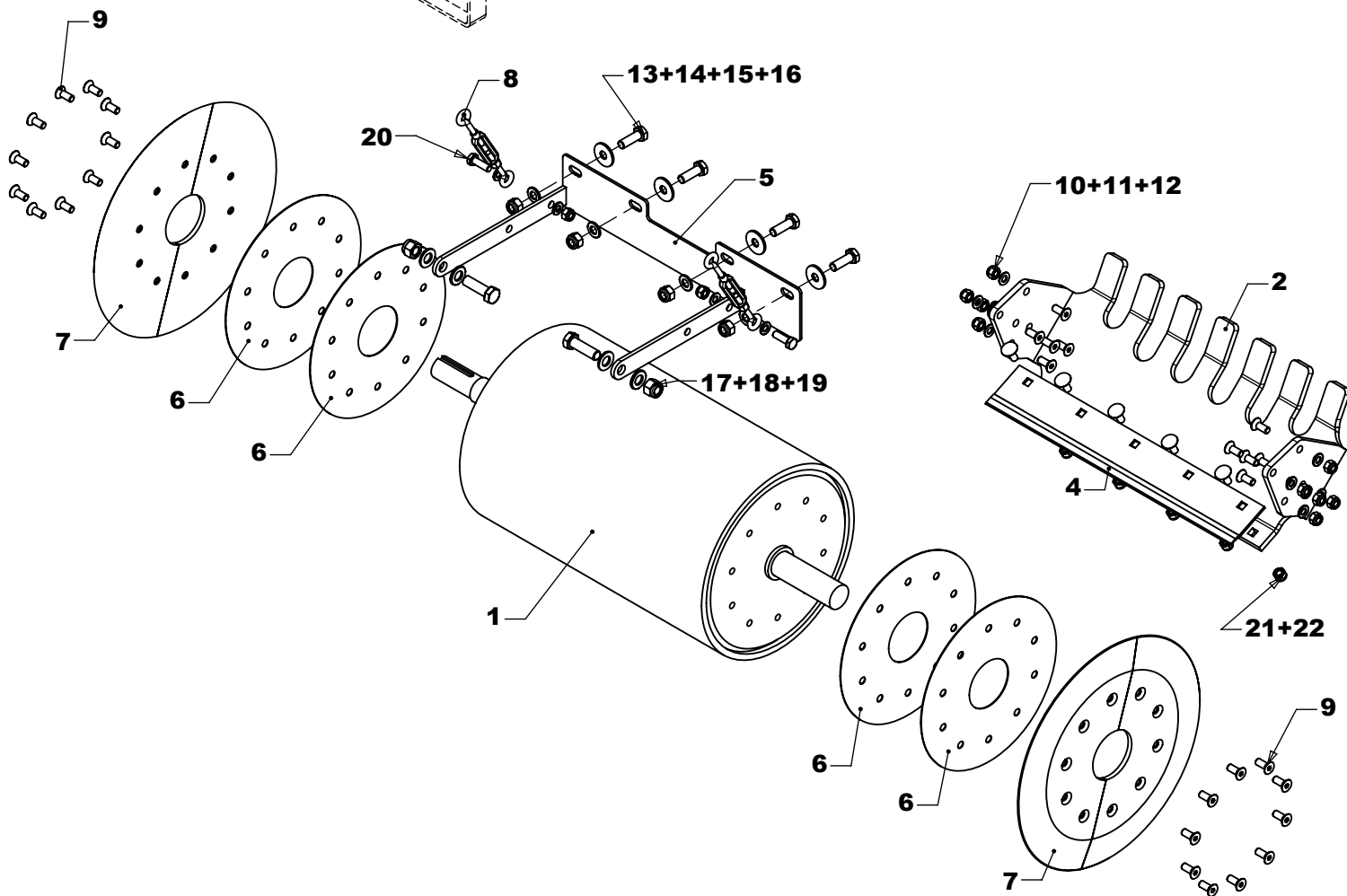
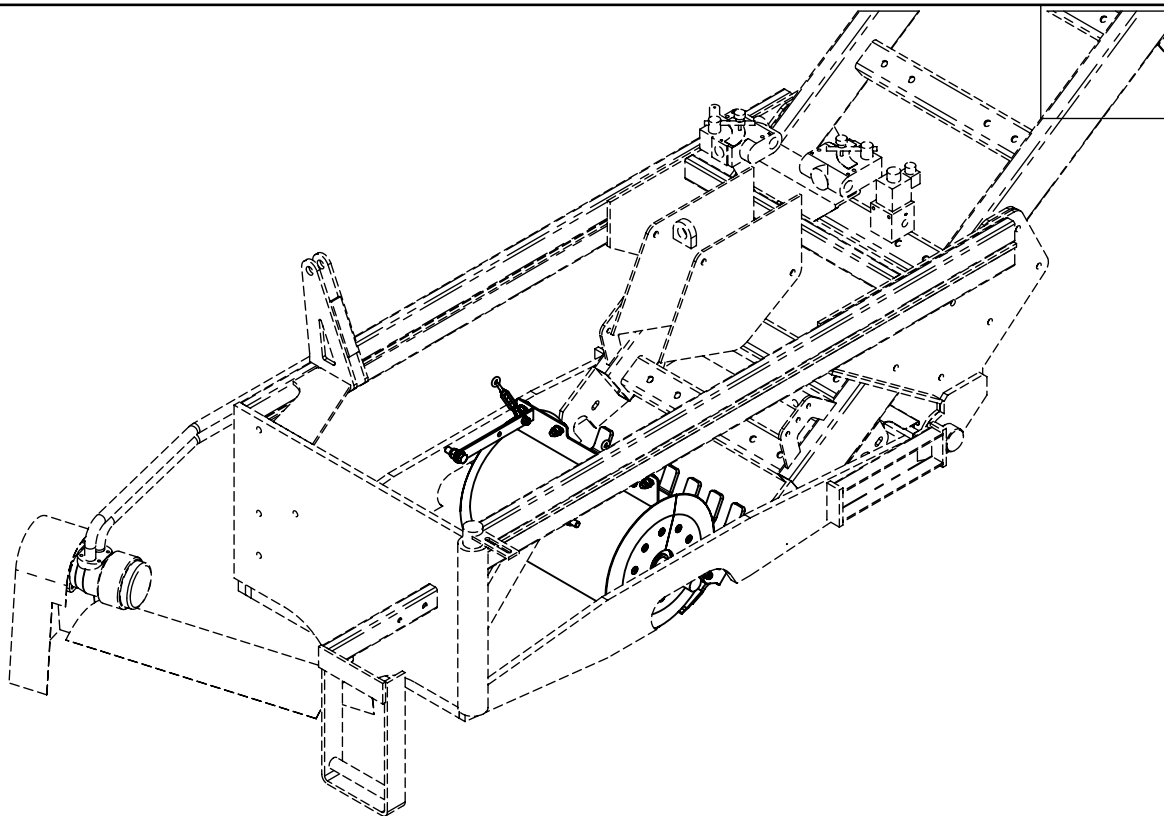
"Front Brush 16"

"Brosse 16"
"



00.100-0201

Sheet: 1/1 Dwg: 100.0200-D 4



Trilo BV
 Astronaut 40
 3824 MJ AMERSFOORT
 the Netherlands

10 inch rol met kouterschijven



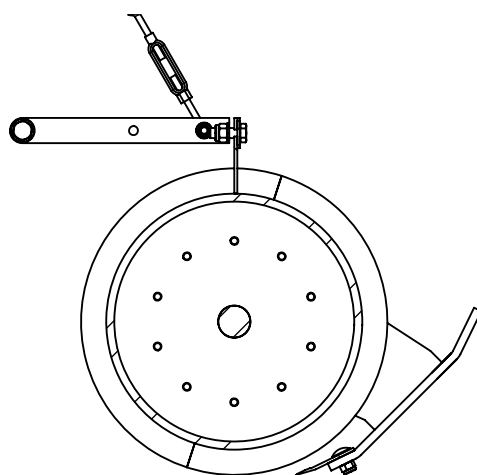
Tel +31(0)33 456 44 32
 Fax +31(0)33 456 44 33
 E-mail: Info@trilo.com
 www.trilo.com

Coulter Kit
 10 inch

Coulter Kit
 10 inch

00.100-0500

Sheet: 1/2 | Dwg: 100.0500-D 0



C-C (1 : 7.5)

22	5	90.9858	Zelfborgende Moer M8	Self Locking Nut M8	Selbstsichernde Mutter M8	
21	5	90.603820	Slotbout M8x20	Carriage Bolt	Flachrundschraube	
20	2	90.933825	Tapbout M8x25	Hex Bolt	Schraube	
19	2	90.98512	Zelfborgende Moer M12	Self-locking Nut	Selbstsichernde Mutter	
18	4	90.125A12	Sluitring M12	Washer M12	Unterlegscheibe	
17	2	90.9331235	Tapbout M12x35	Hex Bolt	Schraube	
16	4	90.98510	Zelfborgende Moer M10	Self-locking nut M10	Selbstsichernde mutter M10	
15	4	90.125A10	Sluitring M10	Washer M10	Unterlegscheibe M10	
14	4	90.9021A10	Carr.Ring M10	Washer M10	Unterlegscheibe	
13	4	90.9331030	Tapbout M10x30	Hex Bolt	Schraube	
12	12	90.9858	Zelfborgende Moer M8	Self Locking Nut M8	Selbstsichernde Mutter M8	
11	14	90.125A8	Sluitring M8	Washer M8	Unterlegscheibe	
10	10	90.7991830	Plat Verz.Inbusbout M8x30	Recessed Inner Hex Bolt	Bolzen	
9	20	90.7991820	Plat Verz.Inbusbout M8x20	Recessed Bolt M8x20	Bolzen	
8	2	BT.A03690	Turnbuckle Assy	Turnbuckle Assy	Turnbuckle Assy	
7	4	100.05007	Halve CoulterSchijf	CoulterDisk	CoulterScheibe	op 10" Wals - 4st per machine
6	4	100.05006	Opvulschijf	Disk	Scheibe	
5	1	100.05005	Schraper	Scraper	Abstreifer	
4	1	100.05004	Onder Mes	Underblade	Untermesser	
3	1	100.05003	Beugel	Brace	Buegel	
2	1	100.05002	Afstandshouder	Spacer	Abstandhülze	
1	1	100.05001	10 inch Rol	Roller	Rolle	
Item	QTY	Reference	Omschrijving	Description	Benennung	Opmerking

Trilo BV
Astronaut 40
3824 MJ AMERSFOORT
the Netherlands

Tel +31(0)33 456 44 32
Fax +31(0)33 456 44 33
E-mail: Info@trilo.com
www.trilo.com

10 inch rol met kouterschijven

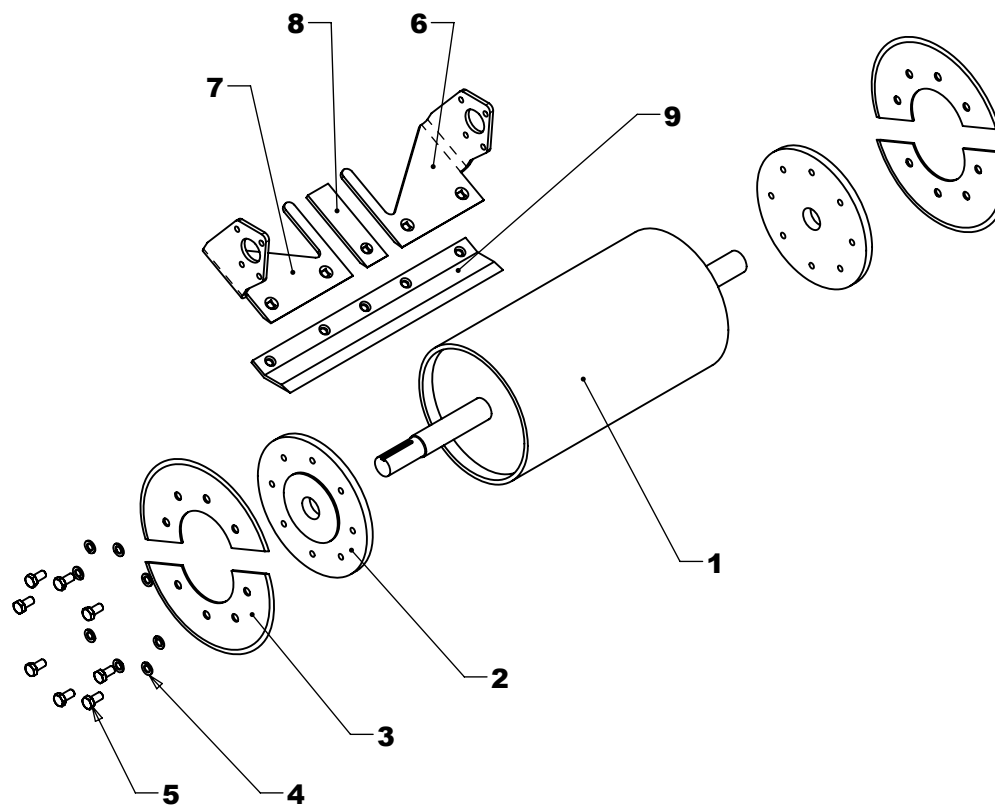
Coulter Kit
10 inch

Coulter Kit
10 inch



00.100-0500

Sheet: 2/2 | Dwg: 100.0500-D 0



9	1	100.05008	Snijmes 40 cm	Blade 40 cm	Messer 40 cm	3 delige assembly
8	1	BT.015184	Center Sod Guide	Center Sod Guide	Schraube	
7	1	BT.015178	Bottom Blade Holder Rh	Bottom Blade Holder Rh	Schraube	
6	1	BT.015177	Bottom Blade Holder Lh	Bottom Blade Holder Lh	Schraube	
5	16	90.9331020	Tapbout M10x20	Tap Bolt M10x20	Schraube	
4	16	90.127B10	Veerring M10	Spring Washer M10	Federring M10	
3	4	KM.KR00018	Coulter blade set 10"	Coulter blade set 10"	Kolter Messer Satz 10"	
2	2	100.05020	Mes adaptor	Blade adaptor	Messer adaptor	
1	1	BT.015997	Roller 8"	Roller 8"	Rol 8"	
Item	QTY	Reference	Omschrijving	Description	Benennung	Opmerking

8 inch rol met kouterschijven

Koltersatz
8 inch

Coulterset
8 inch

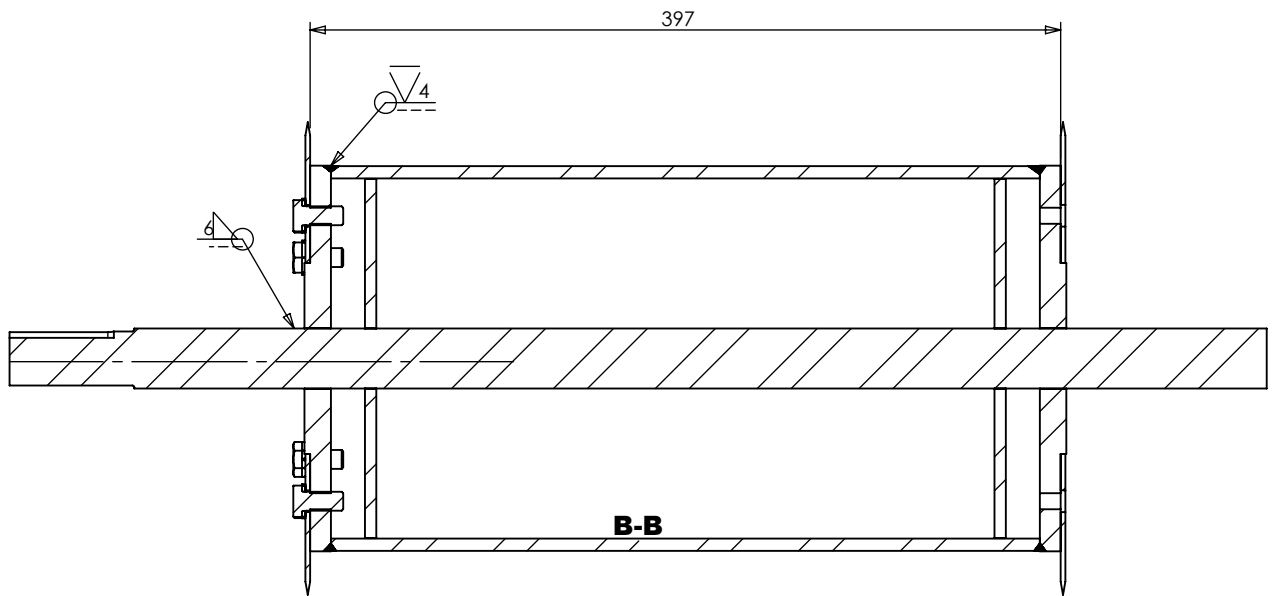


00.100-0501

Sheet: 1/2 | Dwg: 100.0501-D 0

Trilo BV
Astronaut 40
3824 MJ AMERSFOORT
the Netherlands

Tel +31(0)33 456 44 32
Fax +31(0)33 456 44 33
E-mail: Info@trilo.com
www.trilo.com



Trilo BV
 Astronaut 40
 3824 MJ AMERSFOORT
 the Netherlands

8 inch rol met kouterschijven



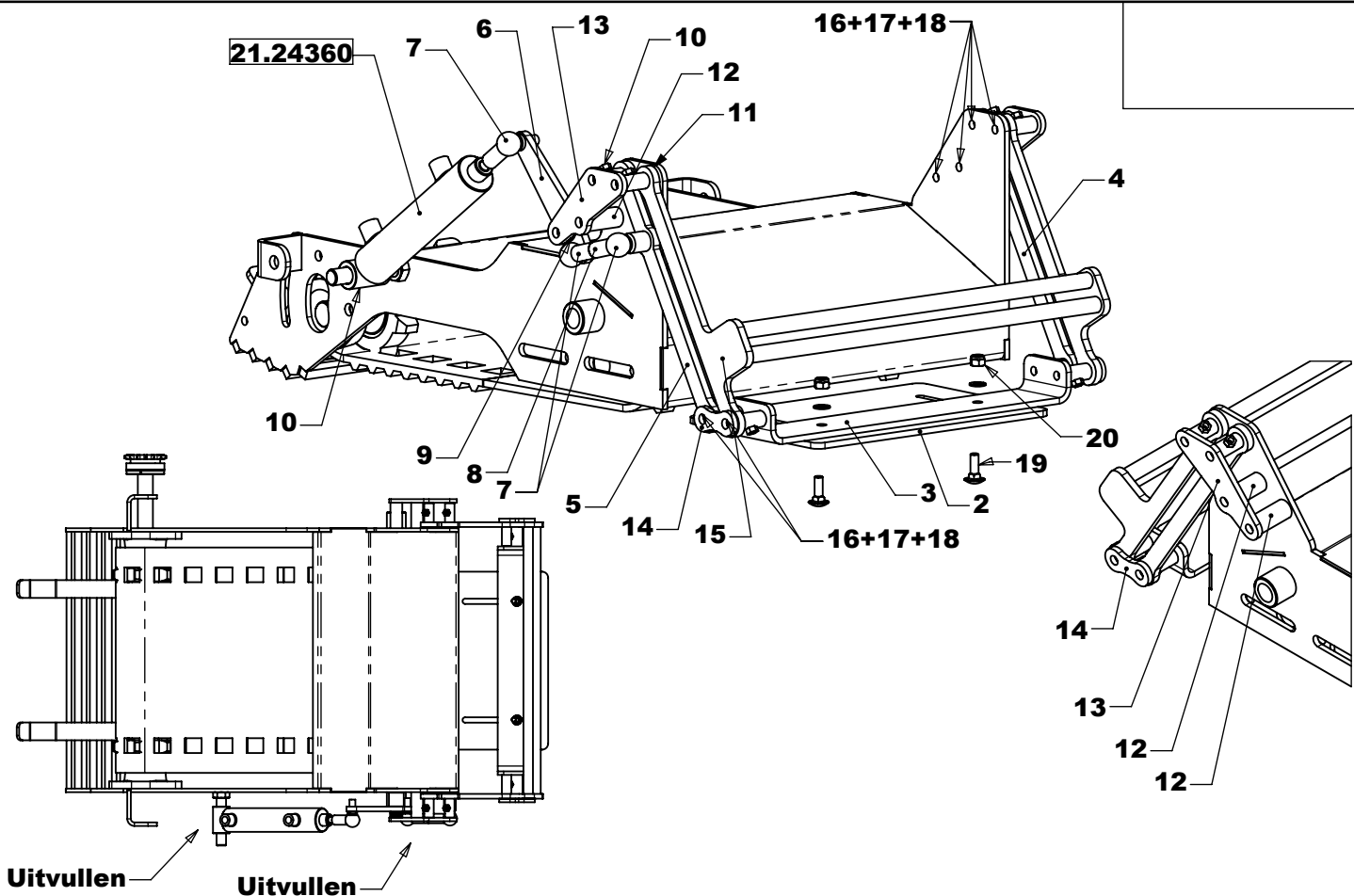
Tel +31(0)33 456 44 32
 Fax +31(0)33 456 44 33
 E-mail: Info@trilo.com
 www.trilo.com

Koltersatz
 8 inch

Coulterset
 8 inch

00.100-0501

Sheet: 2/2 | Dwg: 100.0501-D 0



20	2	90.9858	Zelfborgende Moer M8	Self Locking Nut M8	Selbstsichernde Mutter M8	
19	2	90.603825	Slotbout M8x25	Carriage Bolt	Flachrundschraube	
18	12	90.93610	Lage Moer M10 Verz.	Flat nut	Flachmutter	
17	12	90.125A10	Sluitring M10	Washer M10	Unterlegscheibe M10	
16	12	90.9311060	Zeskantbout M10x60	Hex.Bolt M10x60	Schraube	
15	1	21.1130010	Brug Flap-adjuster	Lever	Hebel	
14	2	21.113008	Schakelplaat Flap-adjuster	Link	Glied	
13	2	21.113007	Schakelplaat Flap-adjuster	Link	Glied	
12	3	21.113009	Bus Flap-adjuster	Bush	Buchse	Ø20x10.5 L=43
11	4	90.9021A10	Carr.Ring M10	Washer M10	Unterlegscheibe	
10	9	KR.GN61180	Vetnippel M6 180°	Grease Nipple M6 180°	Schmierkopf	
9	2	KR.WE2870013	Nylon Busje	Nylon Bush	Nylon Busche	
8	1	90.97510	Draadeind M10 8.8 Verzinkt	Screw Thread	Fadenende	
7	3	KR.CA98530	Kogelgewricht M10	Ball Joint	Kugelgelenk	
6	1	21.113006	Hevel Flap-adjuster	Lever	Hebel	
5	1	21.113005	Hevel Flap-adjuster	Lever	Hebel	
4	1	21.113004	Hevel Flap-adjuster	Lever	Hebel	
3	1	21.113003	Beugel Flap-adjuster	Brace	Buegel	
2	1	21.113002	Plaat Flap-adjuster	Plate	Blech	
Item	QTY	Reference	Omschrijving	Description	Benennung	Opmerking

Hydr. Flap-adjuster

Hydr. Aufrollklappe

Hydr. Flap Adjuster

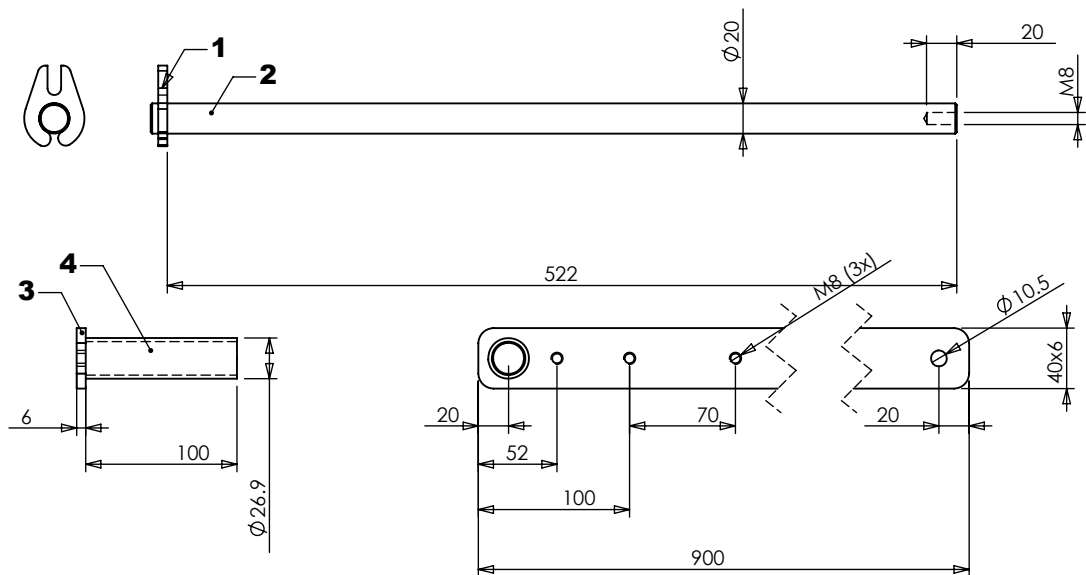
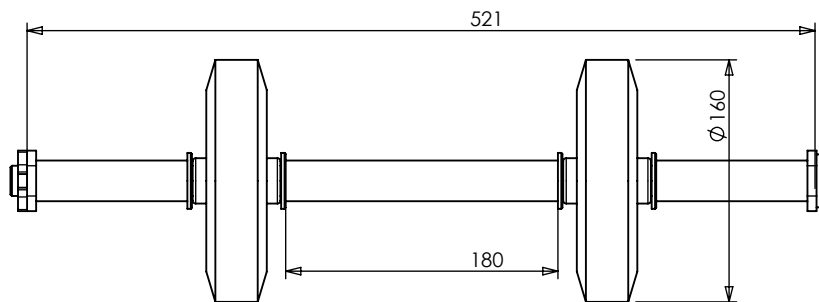
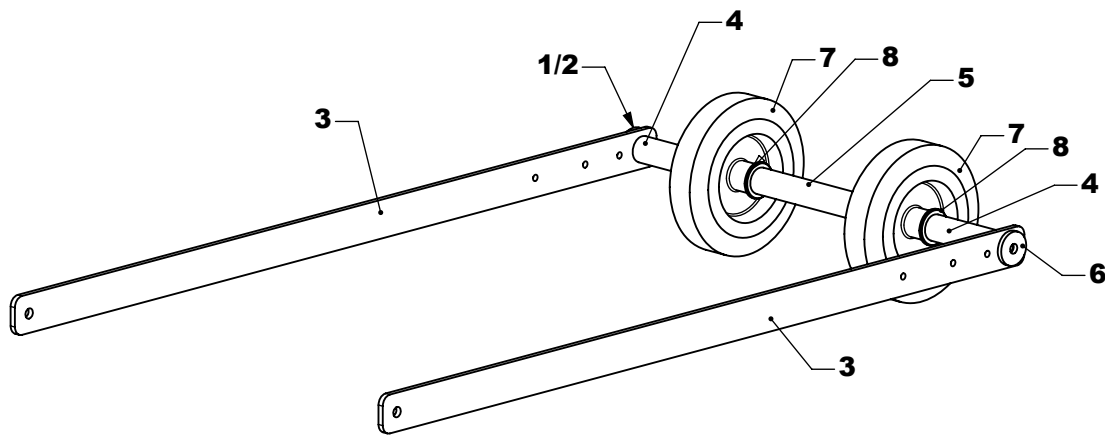


21.11300

Sheet: 1/1 Dwg: 21-1111

Trilo BV
Astronaut 40
3824 MJ AMERSFOORT
the Netherlands

Tel +31(0)33 456 44 32
Fax +31(0)33 456 44 33
E-mail: Info@trilo.com
www.trilo.com



8	4	90.125A20	Sluitering M20	Washer M20	Unterlegscheibe	
7	2	KR.WH81160	Los Wiel+rollager 160mm	Wheel complete	Rad komplett	
6	1	12.05021	Schijf Ø40.5x5-Ø8 Verzonken	Disk	Scheibe	
5	1	WE.GPZW3/4	3/4" Gelaste Gasbuis - Zwart	Welded gastube		S 235
4	2	WE.GPZW3/4	3/4" Gelaste Gasbuis - Zwart	Welded gastube		S 235
3	2	WE.P40X6	WW.Platstaal 40x6	Strip	Streifen	S 235
1	1	21.11540	As Aandrukrol	Axle	Achse	
Item	QTY	Reference	Omschrijving	Description	Benennung	Opmerking

Trilo BV
Astronaut 40
3824 MJ AMERSFOORT
the Netherlands

Aandrukrollen Lang
HYTEK 110



Tel +31(0)33 456 44 32
Fax +31(0)33 456 44 33
E-mail: Info@trilo.com
www.trilo.com

Rolle

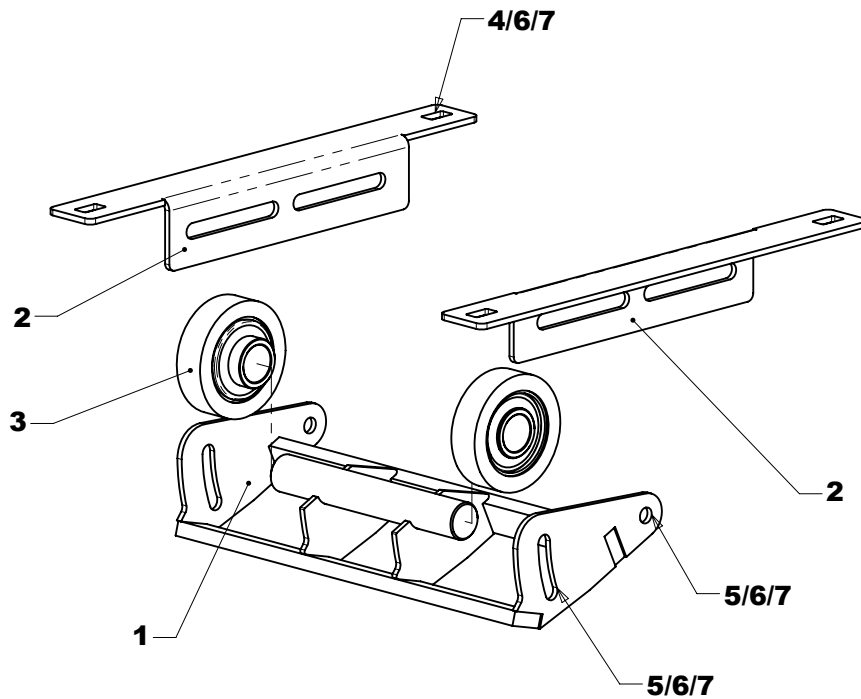
-

Roller

-

21.11562

Sheet: 1/1 | Dwg: 21-1129



7	8	90.98510	Zelfborgende Moer M10	Self-locking nut M10	Selbstsichernde mutter M10	
6	12	90.9021A10	Carr.Ring M10	Washer M10	Unterlegscheibe	
5	4	90.9331025	Tapbout M10x25	Tap Bolt M10x25	Schraube M10x25	
4	4	90.6031020	Slotbout M10x20	Carriage Bolt	Flachrundschaube	
3	2	BT.A03184	Spanrol En Lager	Idler Roller & Bearing	Spannrolle Und Lager	
2	2	21.116702	Steun Onderrol Startgate	Bracket	Halter	
1	1	21.116701	Frame Onderrol Startgate	Frame	Gestell	
Item	QTY	Reference	Omschrijving	Description	Benennung	Opmerking

Trilo BV
Astronaut 40
3824 MJ AMERSFOORT
the Netherlands

Tel +31(0)33 456 44 32
Fax +31(0)33 456 44 33
E-mail: Info@trilo.com
www.trilo.com

Onderrol Startgate

Rolle Unten

Underroll



21.11670

Sheet: 1/1 | Dwg:021.1100-D 28