

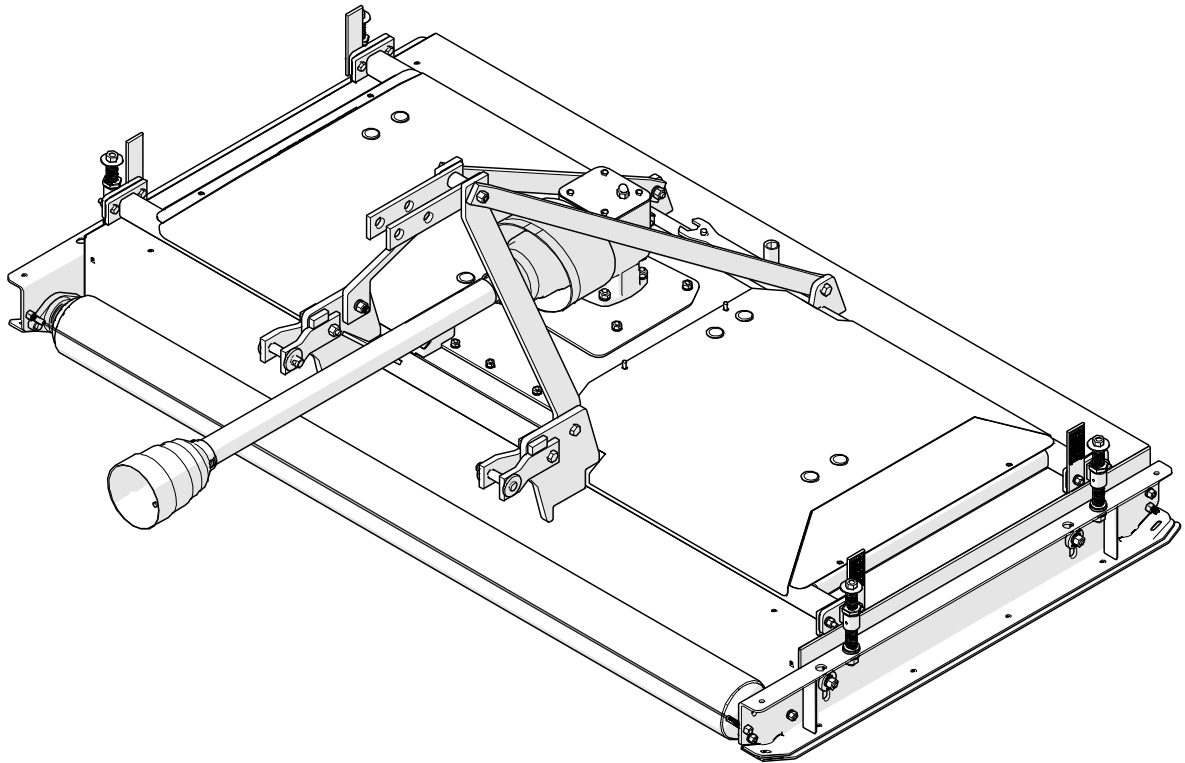


Operator's Manual and Parts List

SDR-90

Single Deck Rotary Finishing Mower

SDR-90 Serial No. 19390124 and up



PROGRESSIVE TURF EQUIPMENT INC.
137 WEST WILLIAM STREET
SEAFORTH, ONTARIO
CANADA N0K 1W0

PHONE: 519-527-1080
TOLL FREE: 800 668-8873
ISSUE DATE: May 2021

SERIAL # _____
WEB: www.progressiveturfequip.com

P.N.120521



Si No Lee Ingles, Pida Ayuda a Alguien Que Se Lo Lea
Para Que le Traduzca Las Medidas de Seguridad

Table of Contents

Page

TO THE OWNER:	4
GENERAL INFORMATION:.....	5
SAFETY	6
OPERATING SAFELY:	6
SDR MOWER SPECIFICATIONS	7
SAFETY & MAINTENANCE DECAL LOCATIONS ON MACHINE:	8
SDR DECAL LISTING.....	9
MAINTENANCE SAFETY:.....	11
PROPER TORQUE FOR FASTENERS:	11
OPERATING THE MOWER:	12
DAILY CHECK LIST:.....	12
HITCHING MOWER TO TRACTOR:.....	13
CONNECTING THE PTO SHAFT:	13
Adjusting the PTO shaft to the correct length	14
CUTTING HEIGHT ADJUSTMENT:.....	15
TRANSPORTING MOWERS:	16
POWER TAKE-OFF:.....	16
MAINTENANCE	17
LUBRICATION:	17
BLADE SPINDLE GREASING:	18
GREASE COMPATIBILITY	19
GEARBOX OIL LEVEL:.....	20
DECK GEARBOX:.....	20
BLADE SERVICING.....	21
SPINDLE SERVICE	24
SPINDLE INSPECTION.....	24
SPINDLE ASSEMBLY REMOVAL	24
SPINDLE ASSEMBLY INSTALLATION.....	24
SPINDLE REBUILDING	24
“V” BELT TENSION:.....	26
“V” BELT ADJUSTMENT:.....	27
TROUBLE SHOOTING:	28

TO THE OWNER:

Before you operate this mower, study this manual carefully. It has been prepared to help you do a better and safer job of maintaining your mower.

Use only genuine Progressive Turf Equipment Inc. replacement parts. Substitute parts will void the warranty and may not meet the standards required for safe and satisfactory operation of this equipment.

Blades are especially important. Their manufacturing process is a very exacting one and only a handful of blade producers are capable of this process. Always insist on purchasing and using OEM blades for your own protection and that of your employees.



ATTENTION - This safety symbol means your personal safety is involved. Be sure to observe and follow these instructions.



DANGER - An extreme intrinsic hazard exists which would result in high probability of death or serious injury if proper precautions are not taken.



WARNING - A hazard exists which can result in injury or death if proper precautions are not taken.



CAUTION - A reminder about safety practices, or directs attention to unsafe practices, which could result in personal injury if proper precautions are not taken.

GENERAL INFORMATION:

The purpose of this manual is to assist the operator in maintaining and operating Progressive Turf Equipment mowers. Read it carefully. It furnishes information and instructions that will help you achieve years of dependable performance.

Some information may be general in nature due to unknown and varying conditions. However, through experience and these instructions, you should be able to develop operating procedures suitable to your particular situation.

Throughout this manual, references are made to right and left directions. These are determined by standing at the rear of the equipment and facing the direction of forward travel. Blade rotation is counter-clockwise as viewed from the top of the mower.

For quick reference, record the following information.

MODEL: _____

DATE PURCHASED: _____

SERIAL NUMBER: _____

For additional information, assistance during assembly, or operation of this mower, contact the dealer from whom the machine was purchased, or call Progressive Turf Equipment Inc.

PHONE: 519-527-1080 1-800-668-8873 FAX: 519-527-2275

SAFETY

WORK SAFELY ---- FOLLOW THESE RULES



Instructions given with this symbol are for personal safety. Be sure you and your workers follow them.

A CAREFUL OPERATOR IS THE BEST INSURANCE AGAINST AN ACCIDENT

**BEFORE HANDLING ANY EQUIPMENT READ THE OPERATOR'S
MANUAL.**

- ❖ To avoid accident or injury, do not allow anyone to operate this equipment without proper instructions. Any person who operates this equipment must be instructed in and be capable of the safe operation of the unit.
- ❖ Know your controls and how to stop tractor engine, and mower quickly in an emergency.

OPERATING SAFELY:

- ❖ Shift tractor into neutral and disengage power take-off before starting tractor.
- ❖ Never allow riders on tractor or equipment.
- ❖ Use extreme care when operating on uneven terrain.
- ❖ Immediately stop mower and shut off tractor upon striking any object. Inspect mower and repair any damage before you continue mowing.
- ❖ Always turn off tractor before making any adjustments to mower, if operator has to dismount tractor.
- ❖ If mower becomes clogged, disengage power to mower and turn off tractor before dismounting.
- ❖ Always disengage PTO and be sure driveline has stopped rotating before raising decks into transport position.
- ❖ Always obey all local and state regulations when operating on public roadways and highways.
- ❖ Reduce speed while operating during wet conditions on slopes, especially when making sharp turns.

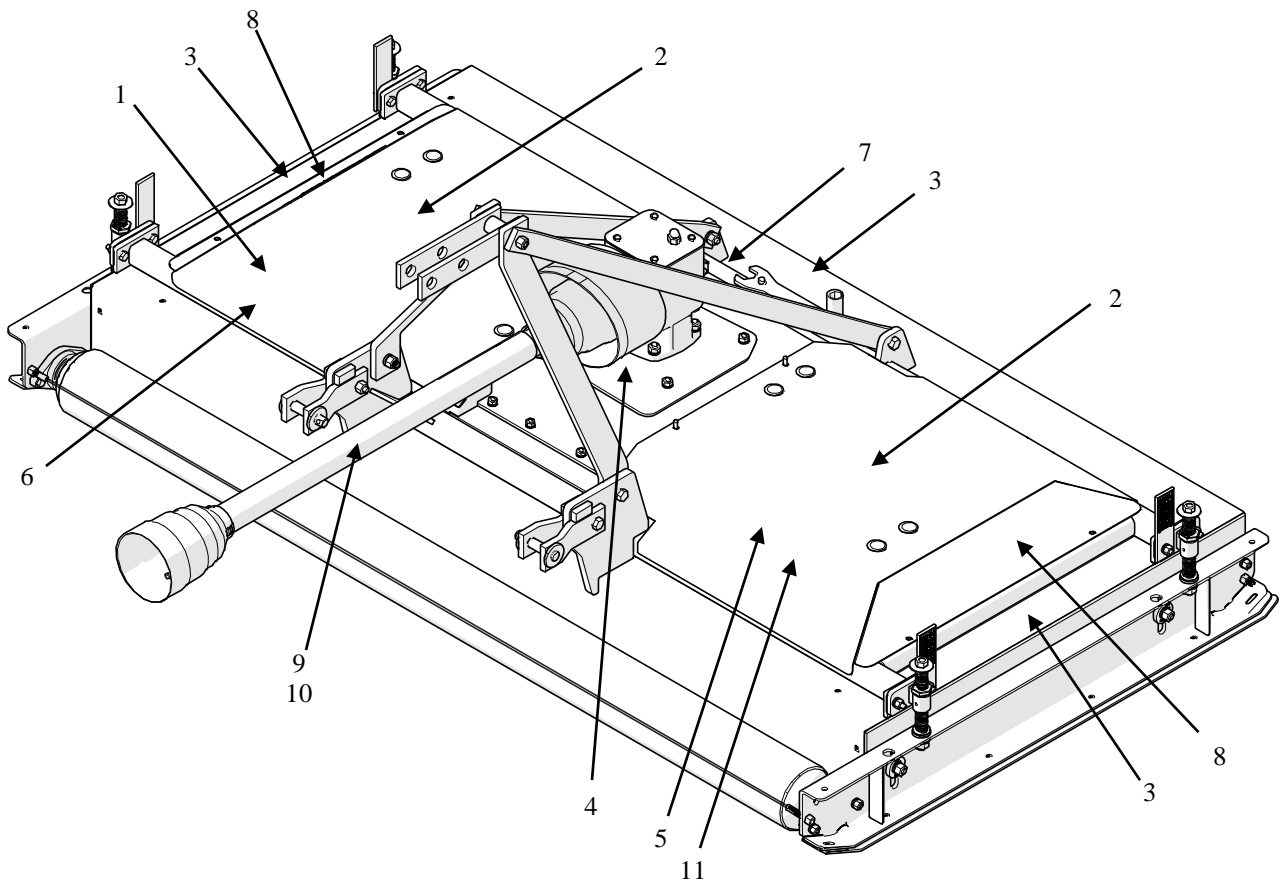
SDR MOWER SPECIFICATIONS

	SDR-65	SDR-90
Cutting Dimensions	65"	90"
Deck Dimensions	Width Length Depth 72" 51" 7"	Width Length Depth 97" 52" 7"
Recommended HP	25 hp*	35 hp*
Weight	975 LBS	1380 LBS
Speeds	TRACTOR PTO – 540 rpm Blades – 3040 rpm Blade tip speed - 18 287 rpm	TRACTOR PTO – 540 rpm Blades – 2890 rpm Blade tip speed – 18 300 fpm
Blades	3 - 23" Blades 5/16" x 2 1/2" heat treated alloy steel blades	4 - 24" Blades
Spindles	3 Spindles, 30 mm Supported by 2 deep groove ball bearings housed in a precision machined hub.	4 spindles, 35 mm
Cutting height	Infinite settings from 1/2" to 4"	
Deck Drive	PTO shaft to right angle gear box driving "B" section belts to heavy duty spindles.	
Blade Support	3/4" x 1/2" x 8" long bar welded to spindle and machined for balance. Two 1/2" bolts hold blade rigid to provide a clean level cut	
Deck Construction	A single piece of 3/16" steel plate formed and welded with supporting members at high stress areas to achieve maximum structural strength.	
Rollers	6" diameter with 0.188" wall thickness, supported by 1 1/4" two bolt ductile flange bearings.	
Belt Adjustment	Easily made by loosening hold down bolts and adjusting tap bolt to desired belt tension.	
P.T.O. Shaft	Telescoping category #4 agricultural PTO drive shaft, with proper safety shields, 1 3/8" – 6 spline quick disconnect yokes on both ends with ring lock collars	
Lift Link	Category 1	

*May require weights on the front of the tractor

SAFETY & MAINTENANCE DECAL LOCATIONS ON MACHINE:

ITEM NO.	DESCRIPTION	QTY			
1	DANGER – READ MANUAL	1			
2	CAUTION – REPLACE SHIELDS	2			
3	DANGER – BLADE HAZARD	3			
4	WARNING – OEM PARTS	1			
5	CAUTION – DISENGAGE PTO	1			
6	PTO GREASING	1			
7	COMPANY NAME	1			
8	MOWER MODEL	2			
9	DANGER – OUTER TUBE	1			
10	DANGER – OUTER SHIELD	1	11	DECAL - PRO-EZ BLADE HARDWARE	1
11	DECAL - PRO-EZ BLADE HARDWARE	1			



SDR DECAL LISTING

If decals become faded, damaged, or lost, replace immediately. Order decals according to corresponding Part # below. Complete decal kits are also available.

SDR Decal Kit - 531002



ITEM 1
(209172)



ITEM 2
(209113)



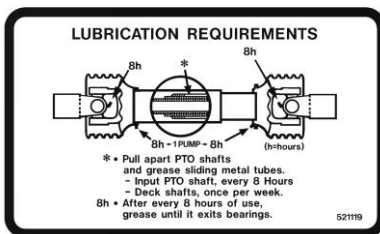
ITEM 3
(209173)



ITEM 4
(209115)



ITEM 5
(521820)



ITEM 6
(521119)



ITEM 7
(521817)

PROGRESSIVE SDR-90 ROLLER MOWER

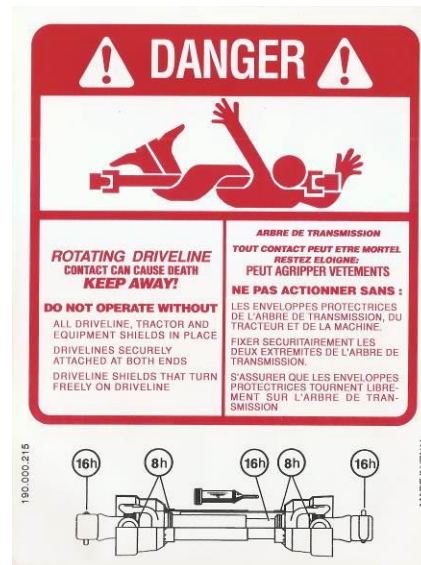
ITEM 8 – SDR-90
(209133)

PROGRESSIVE SDR-65 ROLLER MOWER

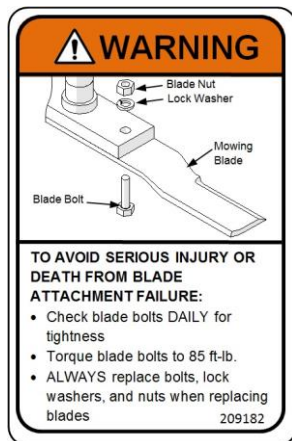
ITEM 8 – SDR-65
(209135)



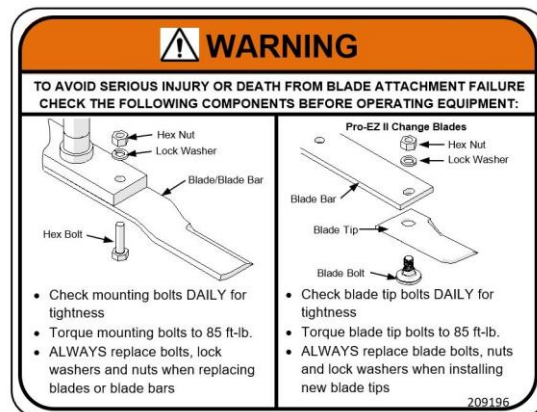
**ITEM 9
(521451)**



**ITEM 10
(521455)**



**ITEM 11 (SDR-65)
(209182)**



**ITEM 11 (SDR-90)
(209196)**

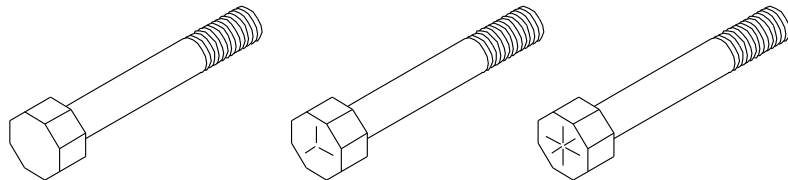
MAINTENANCE SAFETY:

- ❖ Never work on mower without safety locks in place, if decks are in raised position.
- ❖ Keep tractor and mower in good operating condition and all safety devices in place.
- ❖ Frequently check blade mounting bolts for tightness.
- ❖ Periodically check to ensure all bolts are tight and that all nuts, screws and cotter pins are properly installed to ensure that the mower is in a safe condition.

PROPER TORQUE FOR FASTENERS:

The chart lists the correct tightening torque for fasteners on Progressive Turf Equipment mowers. When bolts are to be tightened or replaced, refer to this chart to determine the proper torque except when specific torque values are assigned in the manual. Only SAE grade 5 fasteners are to be used in the assembly of this machine, or as otherwise specified in this manual.

Bolt Head Markings



SAE Grade 2
(No Dashes)

SAE Grade 5
(3 Dashes)

SAE Grade 8
(6 Dashes)

Recommended Torque in Foot Pounds (Newton-Meters)

Bolt Diameter	Grade 5 Recommended Torque in Foot Pounds (Newton-Meters)
5/16 UNC	17 (23)
3/8 UNC	31 (42)
7/16 UNC	49 (66)
1/2 UNC	75 (101)
9/16 UNC	109 (148)
5/8 UNC	150 (203)
3/4 UNC	266 (260)
7/8 UNC	429 (581)
1 UNC	644 (873)
1-14 LH Spindle Nut	60 (82)
Pro-EZ Change Bolt	85 (150)

OPERATING THE MOWER:

A careful and knowledgeable operator is the best insurance against an accident. Allow no riders on any equipment.

If tractor is equipped with R.O.P.S., use the seat belt for maximum protection.

Make sure that everyone is clear of the tractor and mower before starting the engine or operating.

DAILY CHECK LIST:

1. Always wear relatively tight and belted clothing to avoid entanglement in moving parts. Wear sturdy, rough soled work shoes. Never operate tractor or implements in bare feet, sandals or sneakers.
2. Check that mower is properly and securely attached to tractor with a safety chain.
3. Ensure all safety shielding is properly installed and check that all nuts and bolts are secure and pins are properly cotter-pinned.
4. Check condition of blades and security of attachment.
5. Ensure mower is properly mounted, adjusted and in good operating condition.
6. Clear area of stones, branches or other debris that might be thrown causing injury or damage.
7. Never permit any person other than the operator to ride or board the tractor at any time.
8. Check that all lubrication points with grease fittings have been lubricated as per schedule.
9. Check the gearbox for proper amount of gear oil. Mower must be on level surface when this is done.

HITCHING MOWER TO TRACTOR:



For proper mower operation and maximum PTO life, the mower and PTO driveline must be setup correctly.

- a) Lower three point hitch arms on tractor and align them with the lower hitch links on both ends of the hitch assembly. Insert a 7/8" pin to secure links to lower tractor arms.
- b) Adjust tractor top link length to match distance between top link of mower and tractor top link mount. Attach with 7/8" pin.
- c) Raise and lower mower to ensure that it does not come into contact with the tractor. The links should operate smoothly and should not bind. Note that the SDR-90 will require front bumper weights.

CONNECTING THE PTO SHAFT:

- a) Ensure that the tractor engine is shut off and the parking brake is locked.
- b) Holding the PTO against the end of the tractor PTO shaft, rotate the tractor PTO by hand until the shaft slides on slightly.
- c) Slide the locking collar on the PTO backwards, releasing the locking mechanism. Hold and slide the PTO on.
- d) Release the locking ring and pull the PTO shaft backwards until the locking mechanism snaps into place.
- e) Push the shaft forward and backwards to ensure that this is securely locked in place.
- f) **NOTE:** If mower is being used on another tractor, it is necessary to ensure that the overall length of the PTO is correct. Check and adjusted per the steps outlined above



CAUTION - If the PTO shaft comes off during operation, it may cause personal injury and damage to the PTO shaft and tractor PTO. When checking, make sure the locking collar is locked, and that the shaft is not just jammed against the end of the tractor PTO shaft.

Adjusting the PTO shaft to the correct length

IMPORTANT: When checking driveline PTO shaft minimum length, it is necessary to align and level the tractor's PTO shaft with the gearbox shaft of the mower.

1. Measure the shortest distance possible between the tractor PTO shaft and the gearbox shaft of the mower. The lower links on the 3 point hitch must be hanging downward to obtain the shortest length (see diagram 1).

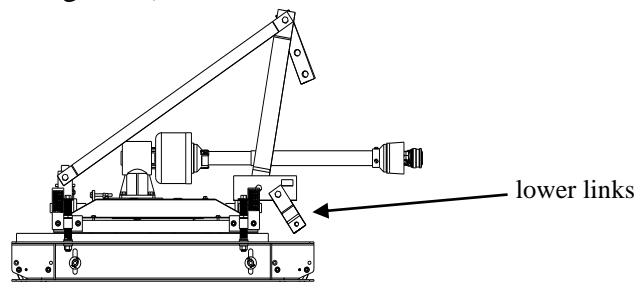


Diagram 1

2. Shorten the driveline PTO shaft as follows:
 - a. Make sure the tractor PTO shaft and the mower PTO shaft are level with each other.
 - b. Separate the two driveline shaft halves and connect one half to the tractor PTO shaft and the other half to the mower gearbox shaft.
 - c. Hold driveline shaft halves side by side to determine if they are too long. The shields on each half should end approximately 3" from the universal joint shield. Measure 3" back from the universal joint shield (dimension X on Diagram 2) and mark that location on the inner and outer shields.
 - d. Cut off the outer shield at dimension 'A'. Measure dimension 'A' from the end of the outer shaft and cut the same amount off of the outer shaft. Cut off the inner shield at dimension 'B'. Measure dimension 'B' from the end of the inner shaft and cut the same amount off of the inner shaft.
 - e. Remove all burrs from shafts. Keep shaft ends square not rounded off. Clean all filings from drive shield tubes.
 - f. Once driveline has been reassembled, check to make sure the driveline does not bottom out in the shortest position.

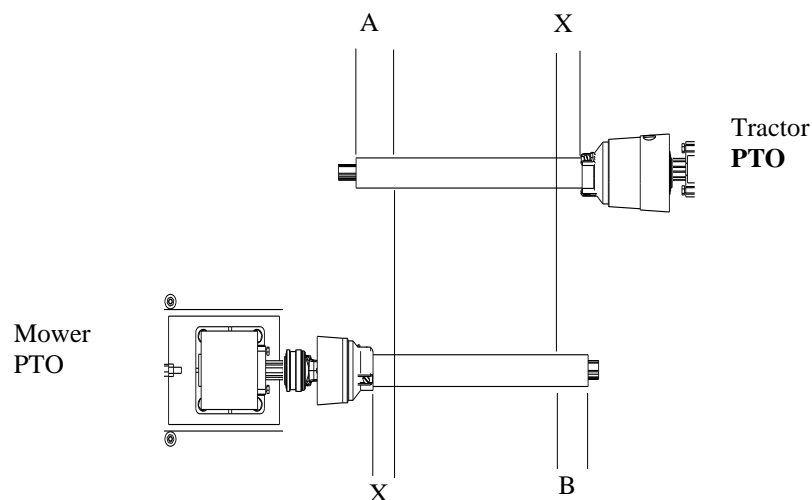


Diagram 2

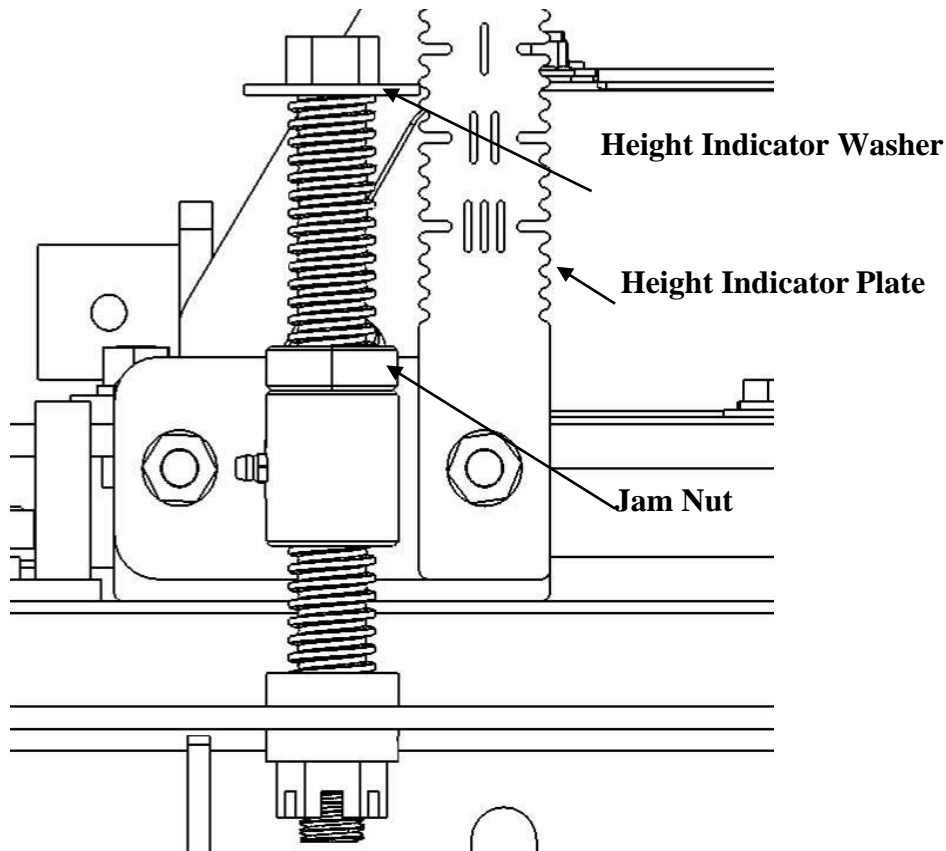
CUTTING HEIGHT ADJUSTMENT:

There are four height adjusters per mowing deck. Each adjuster (located in each corner of the deck) must be adjusted to the same height to ensure a smooth even cut. A wrench for this purpose is provided. Mower cutting height adjustment is made by turning a 5/8" nut on top of an acme threaded rod which makes up the height adjuster. A washer under the nut indicates the height against the decal. There are an infinite number of adjustments available from 1/2" to 4". Moving the adjuster up and down moves a side channel that mounts the front and rear rollers. The height decals at the back of the deck are set 1/4" lower, so that the back actually cuts 1/4" higher, this will provide a better cut, prolong the life of the blades, and reduce horsepower requirement.

To make a height adjustment, follow these steps:

- 1) Loosen the 2 locking bolts on the side channel
- 2) Loosen the ACME jam nut
- 3) Turn the 5/8" nut on top of the ACME threaded rod to desired height
- 4) Tighten ACME jam nut
- 5) Tighten the side channel locking bolts

SDR HEIGHT ADJUSTER



TRANSPORTING MOWERS:



CAUTION - When traveling on public roadways, use flashing amber lights and S.M.V. emblem on rear of mower to provide greater visibility to other traffic.



WARNING - When towing this mower the following information concerning road speed should be strictly adhered to.

WEIGHT OF
TOWING VEHICLE

4500# or more
Less than 4500# but
More than 2300#
Less than 2300#

MAXIMUM ALLOWABLE
ROAD SPEED

Up to 20 mph (32km/h)
Up to 10 mph (16km/h)
DO NOT TOW
DO NOT TOW



CAUTION - Always have safety chain attached to towing vehicle.

POWER TAKE-OFF:



CAUTION - Keep all safety shields in place.



CAUTION - When operating the power take-off, be sure the tractor shield is always in place, covering the exposed power take-off shaft.



WARNING - Before dismounting from the tractor, stop the power take-off, put tractor in neutral, set brakes in lock position and shut off engine.



CAUTION - When ready to engage PTO shaft, be sure engine RPM is at idle speed. Engaging PTO at full throttle will cause high shock loads to driveline, with the potential for future failure.

NOTE: Do not exceed the recommended PTO speed of 540 RPM.

MAINTENANCE



WARNING - Turn tractor engine off before performing any maintenance.



CAUTION - Always use personal protection devices such as eye and ear protectors when performing maintenance functions.



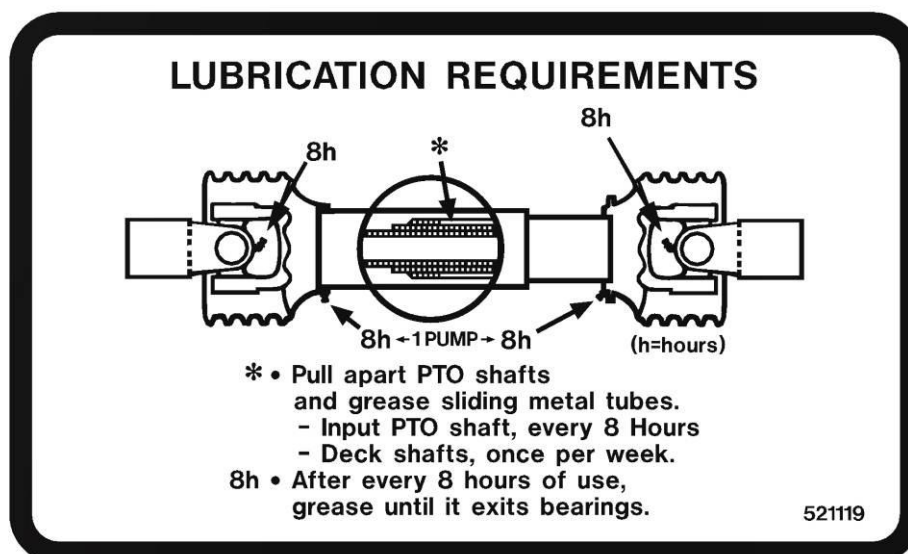
WARNING - When completing a maintenance or service function, make sure all safety shields are installed before placing mower in service.

LUBRICATION:

A properly maintained lubrication schedule will provide a smooth running machine for many years. The following information shows and describes where all lubrication points are located.

<p style="text-align: center;">DECK</p> <ul style="list-style-type: none"> • Spindles* (See Manual) <p>*As Required</p>	<p style="text-align: center;">P.T.O. SHAFTS</p> <ul style="list-style-type: none"> • Main Input*(See Below) • Pull Apart Sliding Tubes once per week and lubricate <p>*As Required</p>
---	---

CHECK FOR PROPER OIL LEVEL IN GEARBOXES DAILY
GREASING SCHEDULE & LOCATION



BLADE SPINDLE GREASING:

All SDR models prior to SDR65 s#14365073 and SDR90 S#14390080 are equipped with greaseable spindle assemblies. The top bearing on all spindle assemblies has a shield only. This allows grease to exit and relieves any pressure build up inside spindle housing, when greasing. Greasing of blade spindles should continue until grease can be seen exiting between the top bearing and the bottom of hub on pulley. Some working conditions will require this operation to take place every 4 to 5 running hours because of hot working areas. Cooler working areas will only require greasing every 8 to 10 hours. A proper greasing schedule can only be determined by operator, depending on working conditions in your particular area.

GREASE COMPATIBILITY

All greases are not compatible. Grease incompatibility will decrease the lubrication ability of the grease, and can cause premature part failure.

Grease can have mineral or synthetic base oils and thickening agents such as lithium, calcium, barium, sodium, or aluminum

What We Use:

- Progressive uses Shell Gadus S2 V220 2
- This grease has:
 - A mineral oil base
 - A lithium-12 hydroxy thickener (“lithium” thickener)
 - Extreme Pressure additives (EP)
 - An NLGI Grade 2

Recommended Grease Properties

The grease you use for this machine must have these properties:

- NLGI grade 2
- Lithium thickener (NOT LITHIUM COMPLEX)¹
- Kinematic Viscosity at 40°C is no greater than 220 cSt
- Dropping Point Less than 400° F
- General Purpose Grease, Not Heavy Duty
- **No MOLY (molybdenum disulphide) additives in the grease²**
- **No synthetic grease³**
- **No High Temperature Grease⁴**

Notes on grease compatibility:

- 1) If a thickener other than lithium is used (including lithium complex), the existing grease will be contaminated and the lubrication properties may be lost leading to component damage.
- 2) Molybdenum Disulfide (Moly) is an additive used in slow moving, extreme load applications. The particles in the “Moly” grease can actually increase bearing wear in a high speed mower application. Generally speaking Moly based greases will be grey in colour or have a metallic sheen.
- 3) If synthetic base oil is used rather than mineral base oil, the grease will be contaminated; the lubrication properties may be lost leading to component damage.
- 4) We do not recommend the use of “High Temperature” greases, mower component temperature should never reach temperatures above the level at which general purpose greases can operate. “High Temperature” greases may contain thickeners that are not compatible with Lithium-12 Hydroxy based thickeners.

Grease with these features is considered to be a “General Purpose Grease”. Use on all grease point locations on your Progressive Mower. Check the properties of the grease you wish to use with your supplier prior to use.

GEARBOX OIL LEVEL:

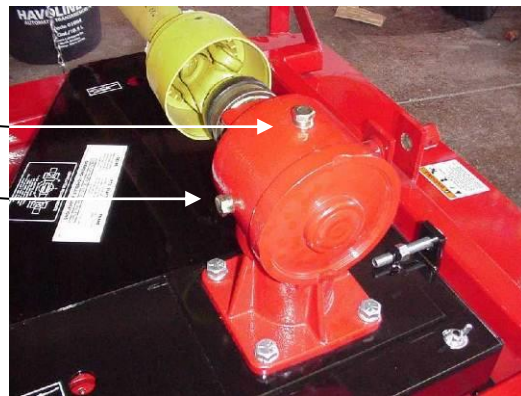
IMPORTANT! DO NOT OVERFILL! MOWER MUST BE LEVEL WHEN CHECKING GEARBOX OIL LEVEL

DECK GEARBOX:

Gearboxes all have an oil level plug located on the side of the gearbox. Oil should reach the bottom of this hole. If oil level is low, add oil through top plug hole of casing until oil just starts to flow out of side oil level hole. Replace and tighten plugs. Use 80W90-gear oil or equivalent.

Filler Plug

Level Plug



BLADE SERVICING

WARNING!

Always observe proper lock-out procedures when performing any maintenance work including changing or servicing the blades. Always remove and retain the ignition switch key, ensure parking brake is engaged, and block and or support machine using equipment designed for the task.

Be sure deck safety locks are engaged when working on decks in the raised position.

Use gloves when handling mower blades. Blades can be very sharp.

Inspect blades before each use to determine that they are mounted tightly and are in good condition. Replace any blade that is bent, excessively nicked, worn or has any other damage. Small nicks can be ground out when sharpening.

WARNING!

Use only original equipment blades when replacing worn or damaged mower blades. They are made of special steel alloys and subjected to rigid heat-treat and inspection requirements. Substitute blades may not meet these specifications and **MAY BE DANGEROUS.**

BLADE SELECTION (SDR-90 Only)

We offer four blade styles for use with this mower:

Fixed high lift

Combined with Progressive's high tip speed, the fixed High-Lift blade 'stands' grass blades up for a clean cut, even in damp conditions or at high mowing speeds.

Fixed low lift

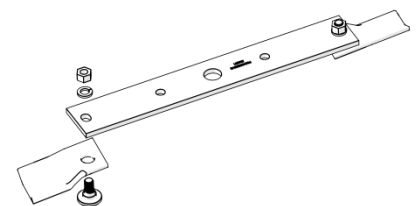
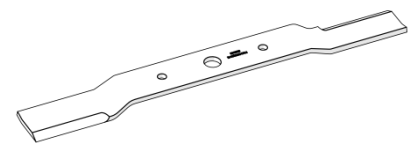
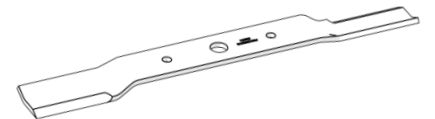
Developing less lift than the High-Lift blade, Progressive's Low-Lift fixed blade is ideal for both new growth or sandy soils where abrasion is a concern but superior cut quality can never be sacrificed. Also requires less tractor horse-power.

Pro-EZ Change System (Available in high or low lift)

Developed with turf professionals in mind:

- Economical as only the tips are changed
- Flat profile fastener extends life, reduces cost
- Standard hand-tools are used for reduced cost and easy change out
- Lower start-up torque requirement reduces stress on the complete drive train
- Thinner profile than a standard blade means the tips retain their sharpness after the equivalent number of mowing hours

Pro-Ez Change Blade System installs on the same blade support bar as a fixed blade. This allows users to easily swap blade types as growing conditions or mowing requirements change.



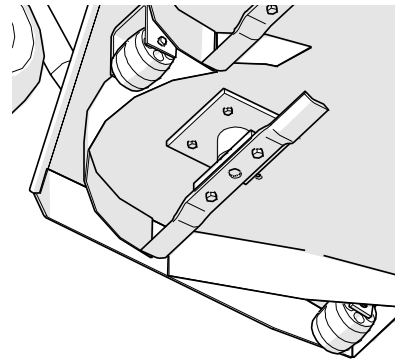
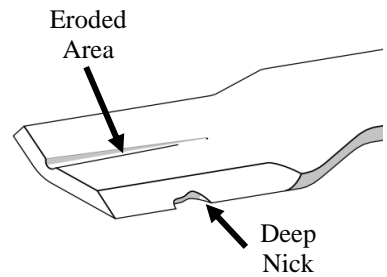
BLADE REMOVAL AND INSTALLATION

A 1" diameter pilot centers the blade on the spindle with two 1/2" grade 5 fasteners. When changing blades, be sure that pilot is properly seated in the blade and the blade lies flat on the spindle bar.

Always replace bolts, lock washers and nuts when replacing blades. Tighten bolts to proper torque as listed on Page **Error! Bookmark not defined.**

Replace any blade that is bent, nicked deeper than 1/4", excessively worn or has any other damage. Small nicks can be ground out during sharpening. Always balance blades before use.

In abrasive soil conditions, monitor condition of the blade wing. If erosion of the steel is evident at the base of the wing, replace blade.



WARNING

TO AVOID SERIOUS INJURY OR DEATH FROM BLADE ATTACHMENT FAILURE
CHECK THE FOLLOWING COMPONENTS BEFORE OPERATING EQUIPMENT:

<p style="font-size: x-small;">Hex Nut Lock Washer Blade/Blade Bar Hex Bolt</p> <ul style="list-style-type: none"> Check mounting bolts DAILY for tightness Torque mounting bolts to 85 ft-lb. ALWAYS replace bolts, lock washers and nuts when replacing blades or blade bars 	<p style="text-align: center; font-size: x-small;">Optional Pro-EZ Change Blades</p> <p style="font-size: x-small;">Hex Nut Lock Washer Blade Bar Blade Tip Blade Bolt</p> <ul style="list-style-type: none"> Check blade tip bolts DAILY for tightness Torque blade tip bolts to 110 ft-lb. ALWAYS replace blade bolts, nuts and lock washers when installing new blade tips
---	--

209196

BLADE SHARPENING

WARNING!

Use gloves when handling mower blades. Blades can be very sharp.

When sharpening blades, be sure material removed is equal on both sides of the blade. Unbalanced blades will cause excessive vibration leading to cracks in machine components.

- Clean all material from the blade prior to sharpening and balancing.
- Grind or file blades following original pattern as shown.
- Sharpen to a razor edge. Do not sharpen back side of blade.

Use the supplied cone balancer (pn 209000) to verify blade balance. When the blade is correctly balanced, the blade will remain horizontal.

WARNING!

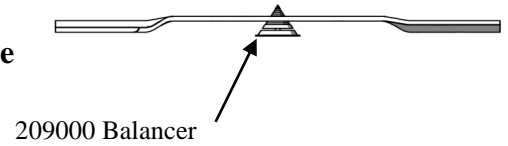
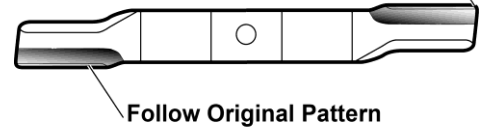
Failure to properly balance blades after sharpening can cause vibration leading to premature component damage. Pro-EZ Change blades must be balanced as a complete assembly (blade bar, blade tips & blade tip hardware).

WARNING!

Wear appropriate eye and face protection when sharpening blades.



Maintain Corners



SPINDLE SERVICE

NOTE: SDR series mowers have been equipped from the factory with two styles of blade spindles:

Up to SN 13365072 (SDR-65) / SN 13390079 (SDR-90)

Blade spindles are factory equipped with greasable bearings. These spindles are identified by a grease fitting in the center of the drive pulley. Grease must be added to these spindles at least every 8 hours of running for a proper service life.

SN 14365073 (SDR-65) / SN 14360080 (SDR-90) and Above

Blade spindles are factory equipped with sealed, maintenance free bearings. These spindles are identified by the absence of a grease fitting in the center of the drive pulley (early production & replacement maintenance free spindles have a set-screw in place of the grease fitting).

SPINDLE INSPECTION

- Spindles are equipped with two roller ball bearings. Adjustment is set by tightening the 1” left hand nut to 60 ft-lbs. torque for proper setting.
- Periodically inspect blade spindles by grasping blade, and moving from side to side. If any free play is noted, replace or repair.

SPINDLE ASSEMBLY REMOVAL

1. Remove blade from spindle.
2. Remove belt shield. Loosen 4 bolts that hold gearbox to mount.
3. Loosen 1/2” x 3 1/2” tap bolts and slide gearbox toward front until belt is easy to remove.
4. Remove belt.
5. Remove 4 bolts attaching spindle assembly to mower frame and remove as a unit, since pulley will come out through the hole in the deck.

SPINDLE ASSEMBLY INSTALLATION

Reverse above procedure. Be sure spindle mounting area of deck is clean of any foreign material before attaching spindle assembly.

SPINDLE REBUILDING

Note: A video showing this rebuild procedure is available on our website:
<http://www.progressiveturfequip.com/service>



CAUTION!

Spindle repair requires special skills and tools, a shop press is required. If your shop is not properly equipped or your mechanics are not properly trained in this type of repair, complete spindle assemblies are available as service parts.

- 1) Remove LH thread nut (1), lock washer (2), pulley (3), key (11) & shim (4,5) from spindle assembly. **The spindle nut is left-hand thread, the pulley has 2 setscrews.**

! CAUTION!

Make sure that the press ram and bed 100% square to each other. If bearings are not square in housing, bearings will wear out prematurely.

- 2) Place assembly in shop press with support under spindle housing flange and press spindle (12) down through housing.
- 3) Remove bottom bearing from spindle and top bearing from housing
- 4) **IMPORTANT! Removing bearings from spindle / housing causes permanent damage to the bearings. New bearings must be used in re-assembling the spindle.**
- 5) Replace bearing spacer tube (8) with new spacer tube if the ends are worn.
- 6) **IMPORTANT! Failure to replace a worn or damaged spacer will lead to premature bearing wear.**

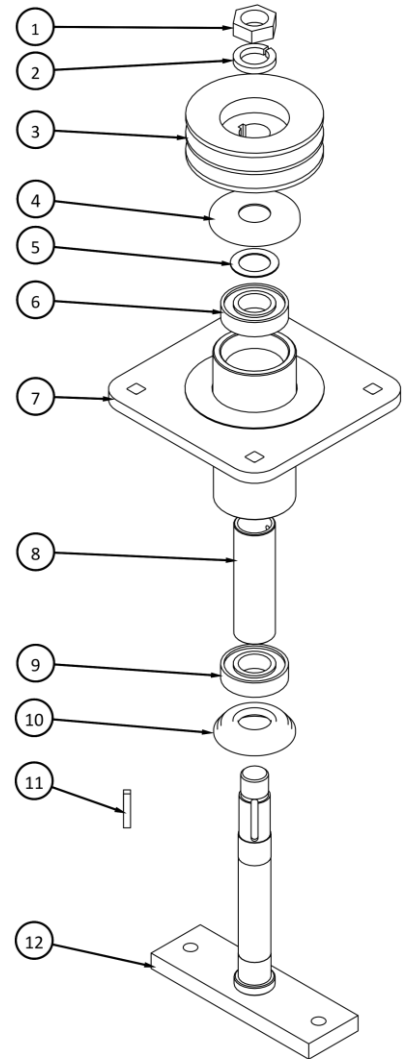
REASSEMBLY

- 7) Place housing (7) in press (upside down). **Pressing on the outer race;** install bottom bearing (9) into housing.
- 8) Place spindle (12) in press. Install bottom cap (10) on spindle.
- 9) Turn housing right side up, **Pressing on the inner race** of bottom bearing, press housing / bearing on to spindle. A steel tube will be required to slide over the spindle and press on inner race.
- 10) Install bearing spacer (8) with hole end up.
- 11) Set top bearing (6) on to spindle. **Pressing on inner race,** press top bearing on to spindle.
- 12) **IMPORTANT! Due to design tolerances, the top bearing may appear to be loose in the housing. This is normal and is not detrimental to the operation of the spindle.**
- 13) Install shim washer (5), cap (4), key (11), pulley (3) on to spindle.
- 14) Install LH lock washer (2) and LH nut (1) and torque to 60 ft-lb.
- 15) Tighten pulley set screws.

Rotate the housing six revolutions by hand and check for smooth, free movement.

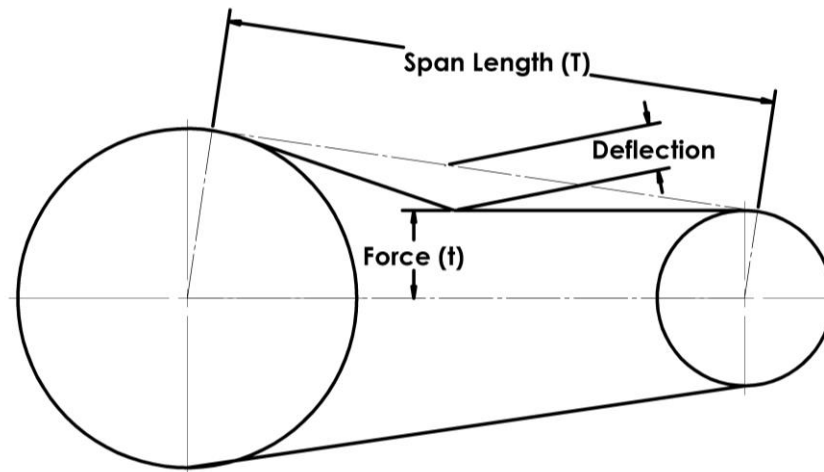
The assembly is now ready for installation into the mower deck.

Note: Orientation of genuine OEM maintenance free bearings are not important. Do not use greaseable bearings in this assembly



“V” BELT TENSION:

Proper belt tensioning is a fundamental factor in the successful V-belt operation. Lack of tension will cause slippage, and too much tension will cause excessive belt stretch as well as damage to the drive components, such as bearings and shafts. Therefore, to ensure proper belt tension, the following procedure is recommended.



CHECKING BELT TENSION

At the mid-point of the span, apply a deflection force with a spring scale in the direction perpendicular to the span until the belt is deflected the 3/8”.

The recommended force to deflect the belt is a minimum of 4.9 lbs. to a maximum of 7.3 lbs.

The first 24 to 48 hours of operation is the belt “run in” period. To ensure satisfactory belt performance, belt tension should be checked during this time period.

“V” BELT ADJUSTMENT:

SDR-65

Begin by loosening 4 bolts at the base of the gearbox. Adjusting long threaded bolt slides the gearbox back, tightening belt. After proper tension is achieved, tighten 4 bolts at base of gearbox. You may have to place a ½” nut under the head of the long threaded bolt to increase your adjustment length.

When changing belts, removal of grease fitting from the top of the center spindle will make installation easier. Be sure belts run in proper groove.

SDR-90

The mower deck has (2) belts to transmit power from the gear box to the blade spindles. Each drive belt utilizes an adjustable sliding tensioner idler to set belt tension.

In the event that belt adjustment must be made, follow these steps for each belt:

Loosen the jam nut on the adjusting screw.

Loosen the nut fixing the tensioning idler to the mower deck.

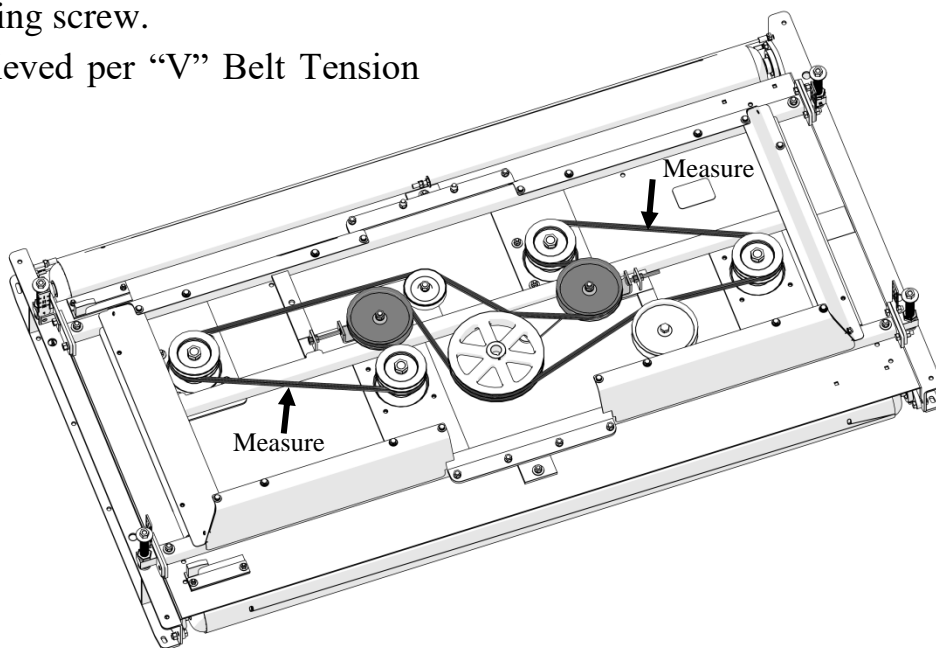
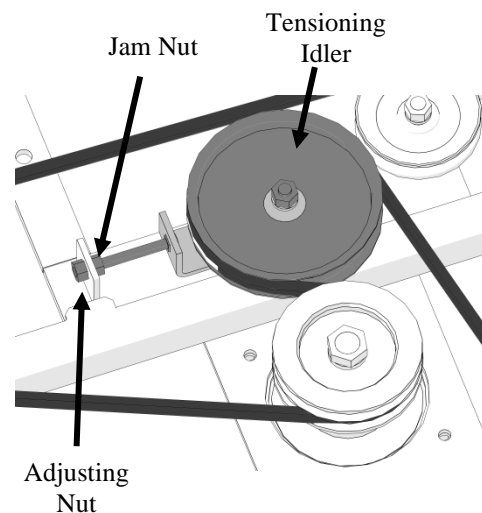
Set desired belt tension by turning the adjusting nut

- Clock Wise to tighten belts
- Counter Clock Wise to loosen belts

Tighten the nut fastening the tensioning idler to the mower deck.

Tighten jam nut on the adjusting screw.

Verify proper tension is achieved per “V” Belt Tension section above.

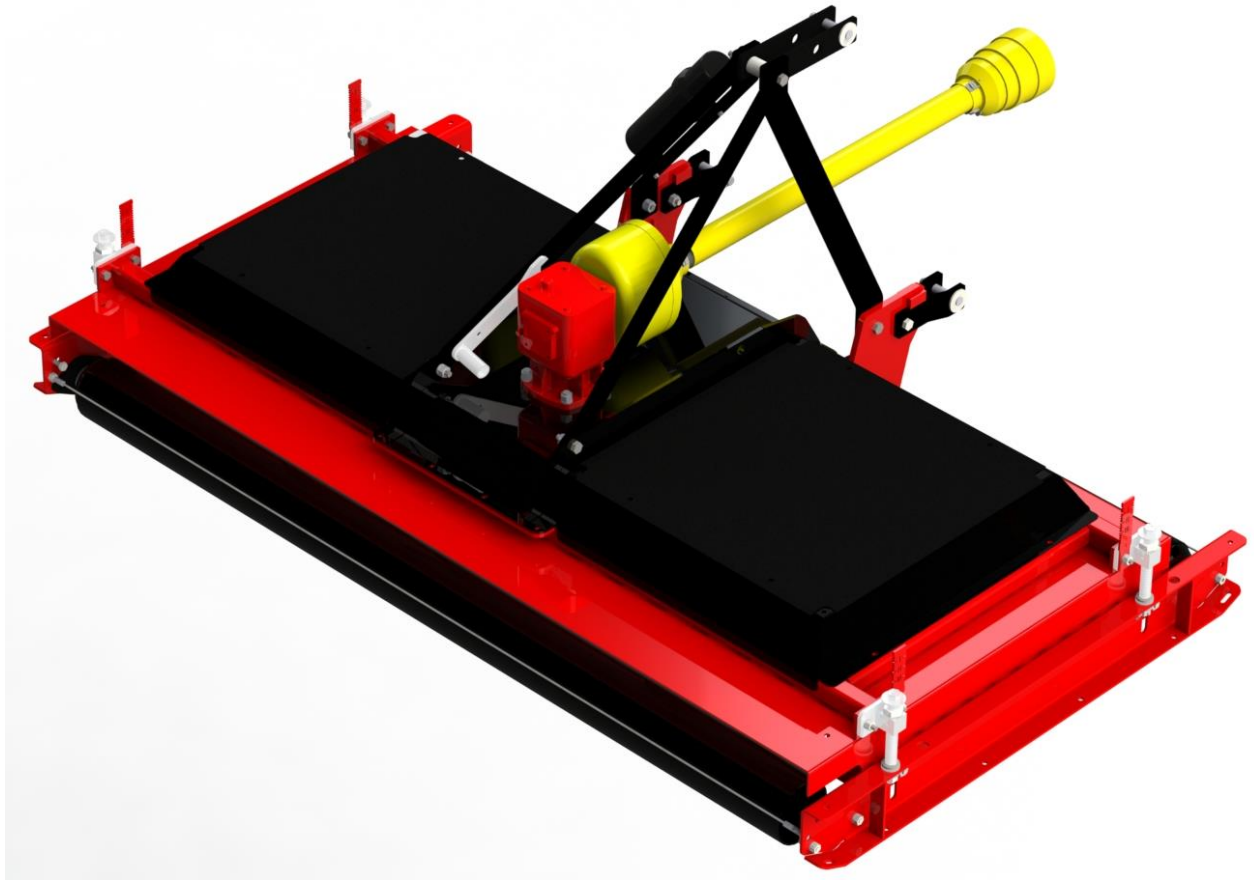


TROUBLE SHOOTING:

PROBLEM	CAUSE	REMEDY
Belt slippage	Lack of tension oily drive conditions	Increase tension Clean up drive
Rapid belt wear	Belt slippage belt not in proper groove	Increase tension Place in proper groove
Belt squeal	Belt slippage	Increase tension
Over-heated bearings	Belt slippage excessive drive tension	Increase Tension Tension drive properly
Input shaft does not collapse easily on turning.	Lack of grease at intermediate location of drive shaft	Remove driveshaft and pull apart. Grease splines. Grease every 8 hours.
Premature spindle bearing failure.	Lack of lubrication or grease is contaminated	See grease information and ensure grease being used is compatible. Grease per instructions

Parts List

SDR-90



Effective serial number: 19390124 and up.

Part # 120521

Issue Date : May 2021

 **DANGER!**

Si No Lee Ingles, Pida Ayuda a Alguien Que Se Lo Lea
Para Que le Traduzca Las Medidas de Seguridad



Serial Number Location

The serial number plate for the machine is located on the 2" tube welded to the deck at the front

For quick reference, record the following information:

Model: _____

Serial Number: _____

Date purchased: _____

Always state this information when contacting your selling dealer and when ordering spare parts.

Parts Information

Use only Genuine Original Equipment Manufacturers (O.E.M.) replacement parts. The use of "will fit" parts may reduce machine performance, void machine warranties and present a safety hazard. Use Genuine OEM parts.

Progressive Turf Equipment Inc.

137 West William Street

Seaforth, Ontario

Canada

NOK 1W0

Phone: 800-668-8873

Fax: 519-527-2275

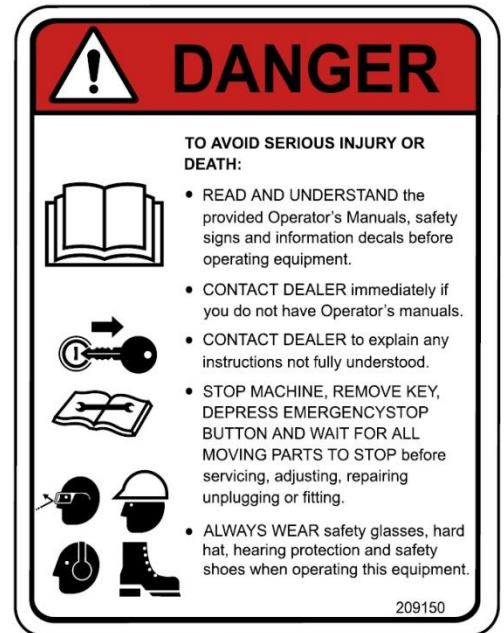
www.progressiveturfequip.com

Maintenance

Maintenance should always be performed by a qualified service technician familiar with servicing similar equipment, using good safety and workmanship practices.

Always observe proper lock-out procedures when performing any maintenance work. Other than maintaining the blade spindles or blades, always lower all decks before performing maintenance. Block and or support machine using equipment designed for the task. When maintaining blades or spindles, always ensure locks are seated correctly in place. When performing hydraulic maintenance, ensure that pressure has been released.

It is imperative that the operator or qualified service technician reads and understands all the safety information in the Operator's Manual before proceeding. Failure to follow the instructions or heed the warnings could result in injury or death. **Proper care is your responsibility.**



PARTS ORDERING GUIDE

The following instructions are offered to help eliminate needless delay and error in processing purchase orders for the equipment in this manual.

1. The Parts Section is prepared in logical sequence and grouping of parts that belong to the basic machine featured in this manual. Part Numbers and Descriptions are given to help locate the parts and quantities required.
2. The Purchase Order must indicate the Name and Address of the person or organization ordering the parts, who should be charged, and if possible the serial number of the machine for which the parts are being ordered.
3. The purchase order must clearly list the quantity of each part, the complete and correct part number, and the basic name of the part.
4. The manufacturer reserves the right to substitute parts where applicable.
5. Some parts may be unlisted items which are special production items not normally stocked and are subject to special handling. Request a quotation for such parts before sending purchase order.
6. The manufacturer reserves the right to change prices without notice.

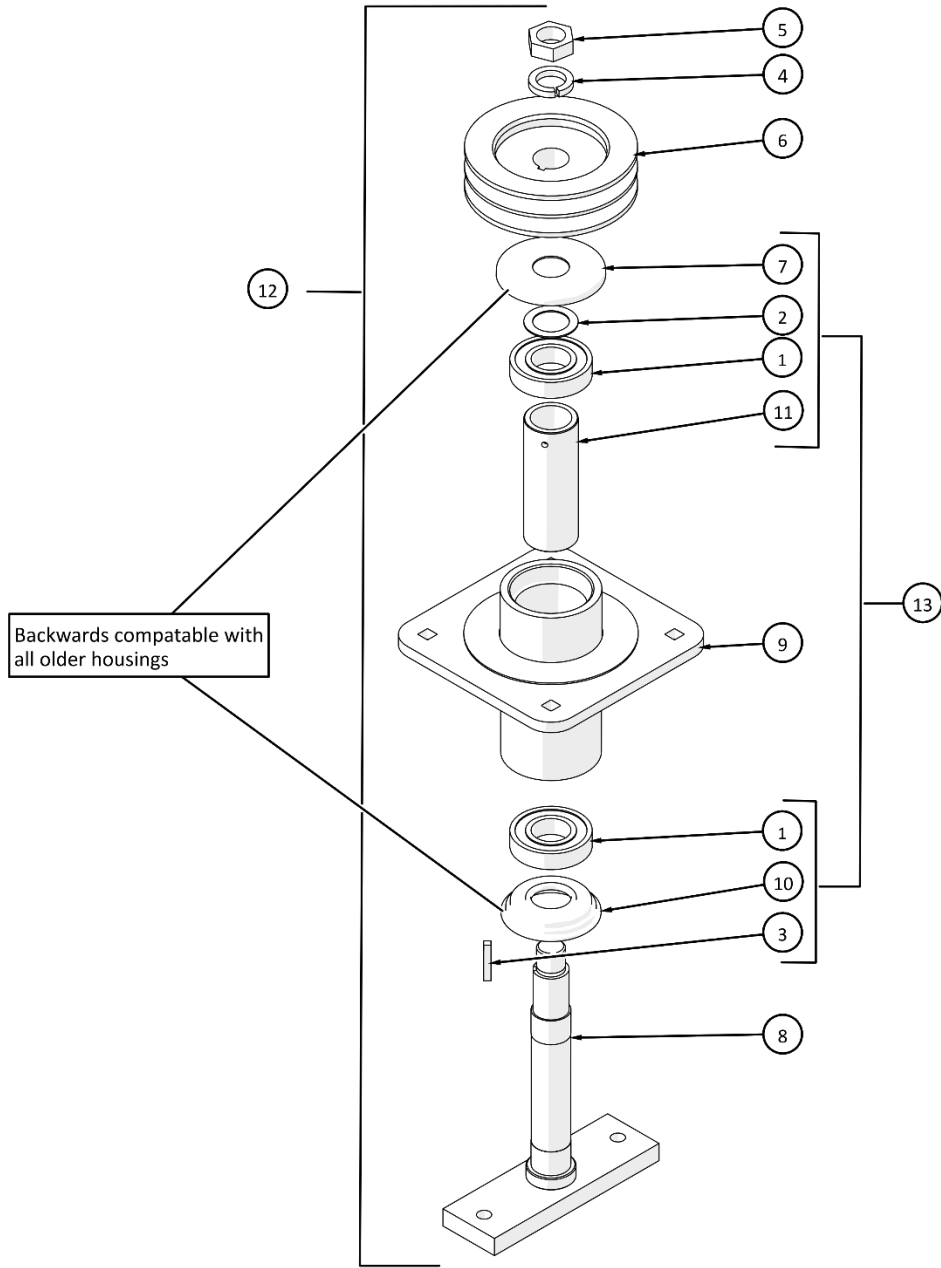


Table of Contents

SERIAL NUMBER LOCATION.....	II
1 DECK ASSEMBLY	2
1.1 BLADE SPINDLE ASSEMBLY – SERIAL # 21390128 AND UP	2
1.2 BLADE OPTIONS	3
1.3 GEAR BOX MOUNT	4
1.4 DECK ASSEMBLY	5
1.5 DECK DRIVE.....	6
1.6 DECK ROLLER.....	7
1.7 GUARDING	8
2 FRAME ASSEMBLY	9
2.1 3 PT HITCH LINKAGE	9
2.2 PTO SHAFT	10
3 DECALS	11

1 DECK ASSEMBLY

1.1 Blade Spindle Assembly – serial # 21390128 and up

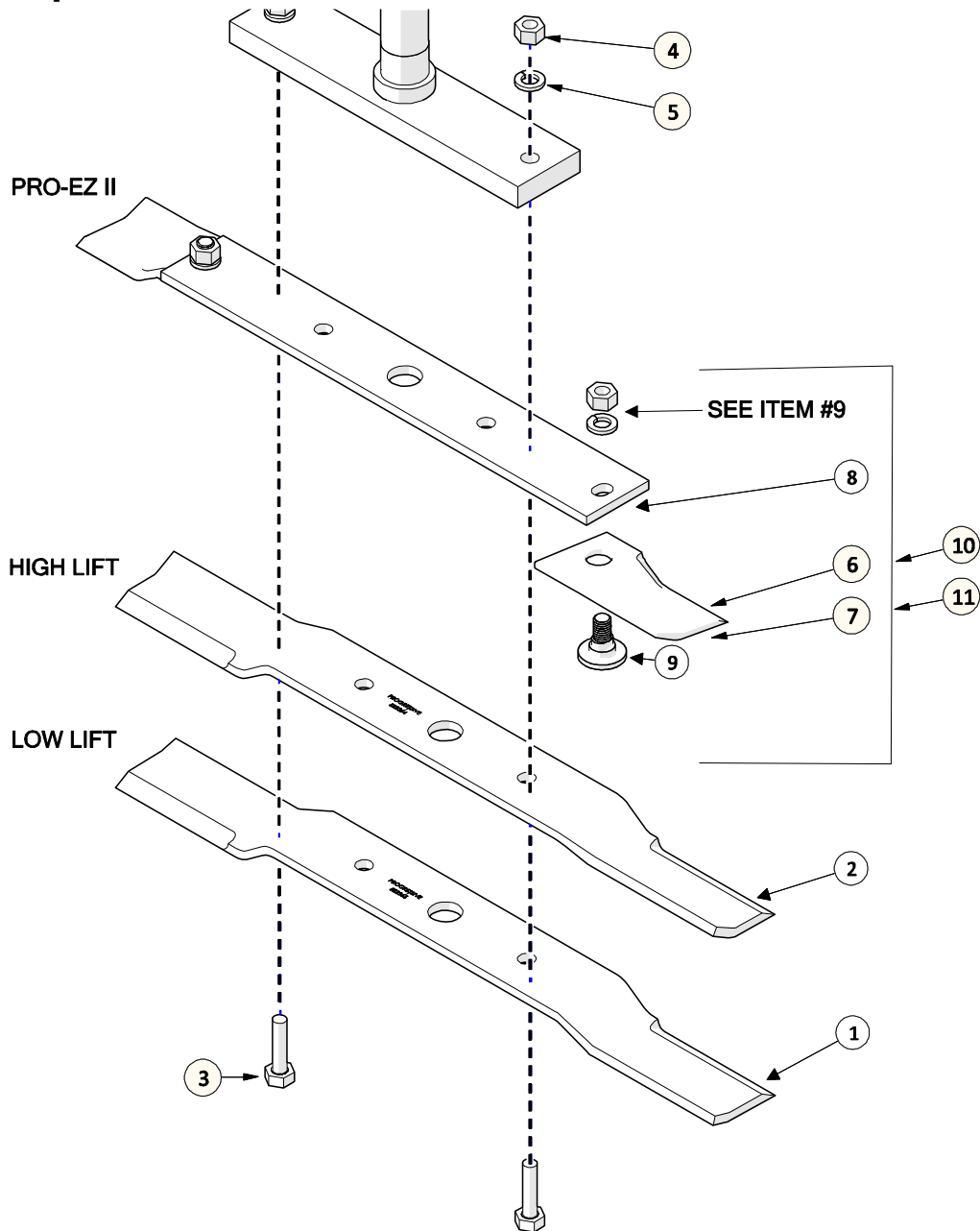


ITEM	PART #	DESCRIPTION	QTY
1	213052	BEARING - MAINTENANCE FREE	2
2	521004	SHIM WASHER - 1.25 (9 PCS)	1
3	O.L.	KEY - 1/4" X 1.50"	1
4	521002	LOCKWASHER L.H. (3 PCS)	1
5	521003	HEX NUT- L.H.	1
6	521790	5.9" PULLEY- 1-1/4" BORE	1
7	522557	SHIELD - SPINDLE TOP	1

ITEM	PART #	DESCRIPTION	QTY
8	522586	BLADE SPINDLE WELD- TDR-22	1
9	527552	SPINDLE HOUSING - TDR-22	1
10	527550	HOUSING BOTTOM CAP	1
11	526096	BEARING SPACER TUBE - TDR 22	1
12	527562	BLADE SPINDLE ASSY COMPLETE - TDR-22	1
13	527563	SPINDLE REBULD KIT MFREE TDR22	1

O.L. - OBTAIN LOCALLY

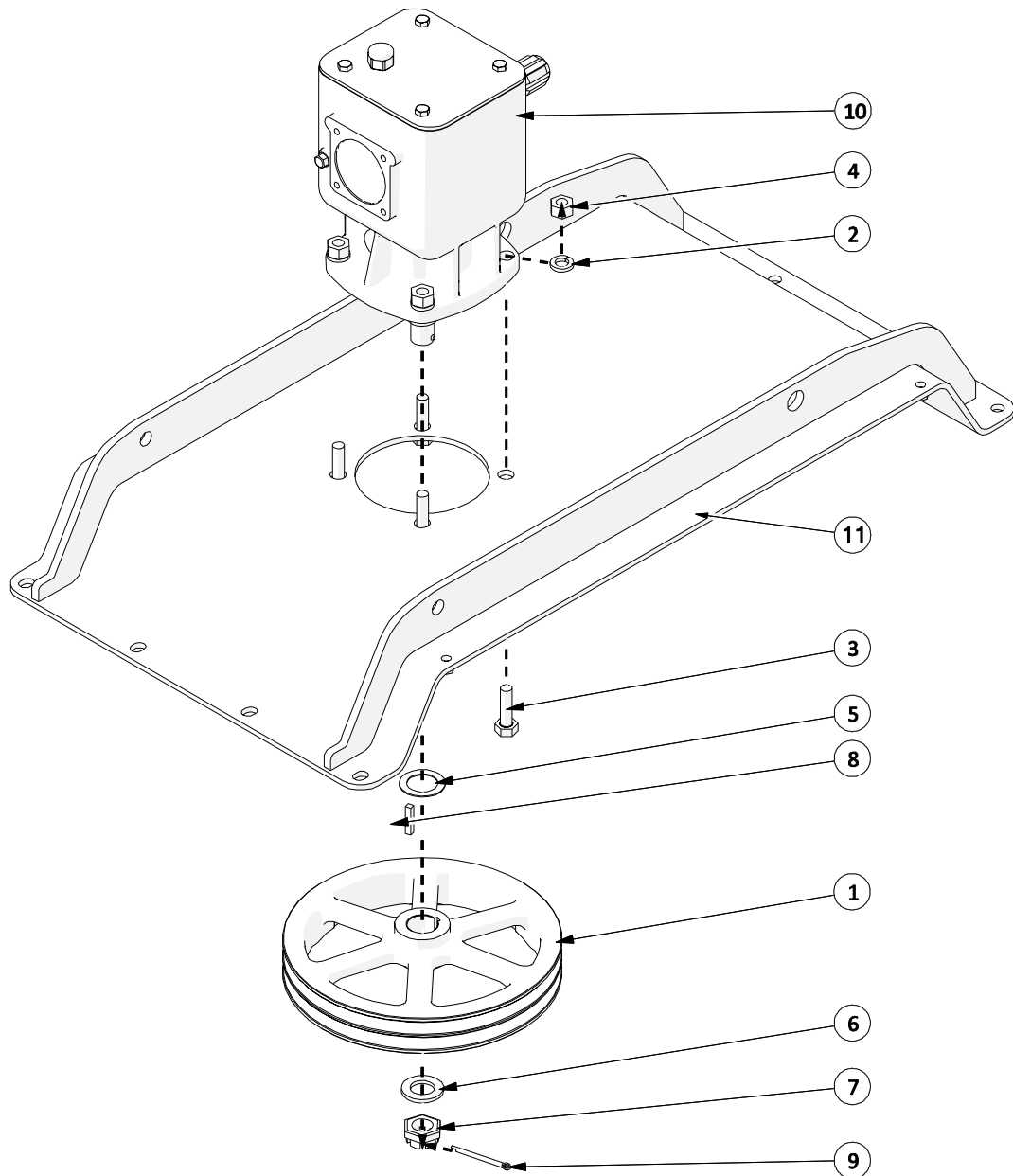
1.2 Blade Options



ITEM	PART #	DESCRIPTION	QTY
1	522618	LOW LIFT BLADE KIT (6 PCS)	1
2	522610	HIGH LIFT BLADE KIT (6 PCS)	1
3	O.L.	HEX BOLT- 1/2" X 1.75 NC GR5 PL	2
4	O.L.	HEX NUT - 1/2"NC GR5 PL	4
5	O.L.	LOCK WASHER- 1/2 PL	4
6	526594	HIGH LIFT TIP KIT (50 PC)	1
7	526648	LOW LIFT TIP KIT (50 PC)	1
8	526784	BLADE BAR KIT (12 PCS)	1
9	526840	BLADE BOLT KIT W/HW (25 PC)	1
10	526790	SINGLE HIGH LIFT BLADE ASSEMBLY (FOR 1 SPINDLE)	1
11	526792	SINGLE LOW LIFT BLADE ASSEMBLY (FOR 1 SPINDLE)	1

O.L. - OBTAIN LOCALLY

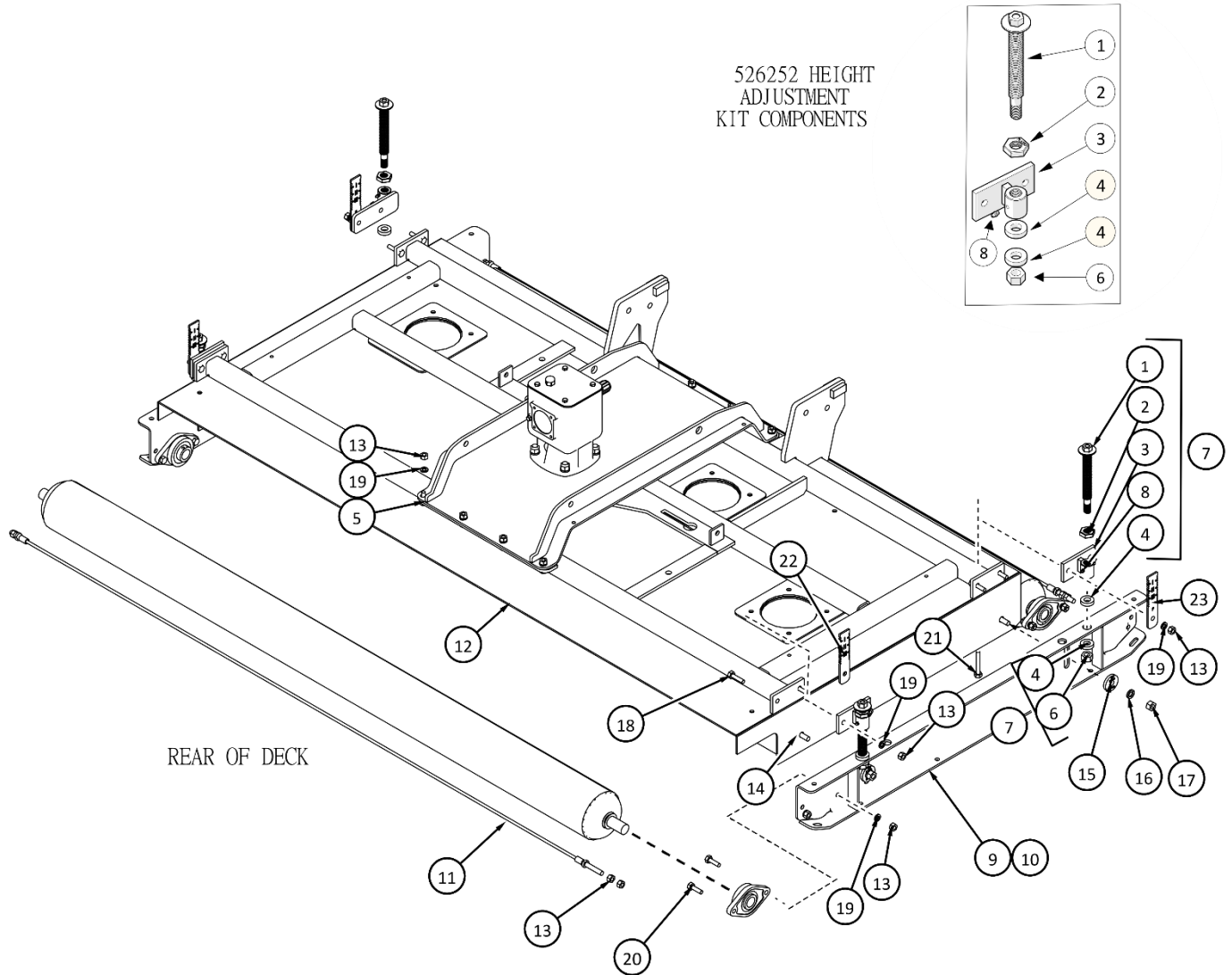
1.3 Gear Box Mount



ITEM	PART #	DESCRIPTION	QTY
1	212021	PULLEY - 11-1/4"	1
2	O.L.	LOCK WASHER- 5/8" PL	4
3	O.L.	HEX BOLT- 5/8" X 1.75 NC GR5 PL	4
4	O.L.	HEX NUT - 5/8"NC GR5 PL	4
5	521004	SHIM WASHER (9 PCS)	1
6	521129	WASHER KIT (3PCS)	1
7	521130	CASTLE NUT - M24	1
8	521390	DECK GEARBOX KEY (3 PCS)	1
9	O.L.	COTTER PIN - 3/16" X 1.50	1
10	521432	DECK GEARBOX	1
11	531126	GEAR BOX MOUNT	1

O.L. - OBTAIN LOCALLY

1.4 Deck Assembly

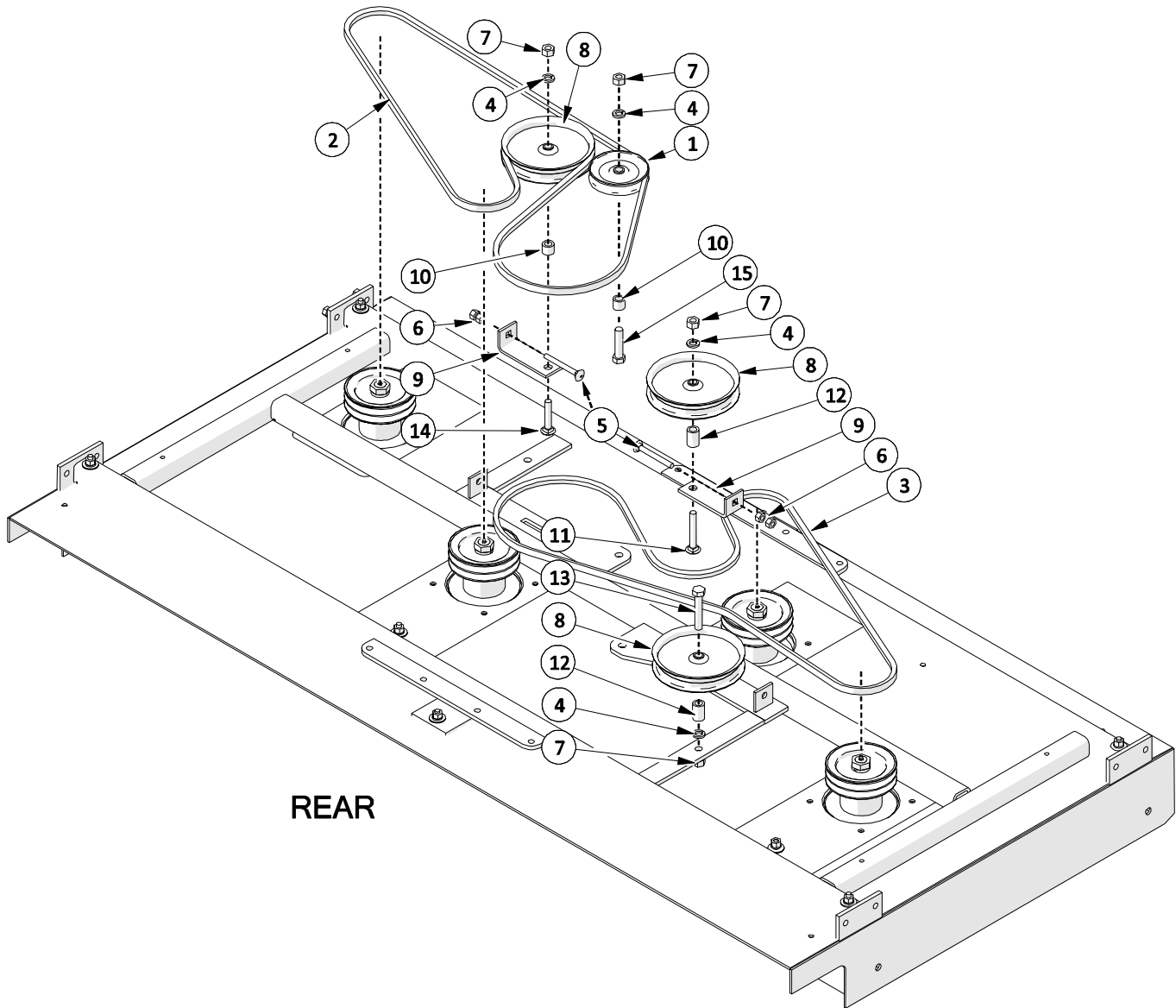


ITEM	PART #	DESCRIPTION	QTY
1	526176	HEIGHT ADJ. ROD	4
2	526144	ACME JAM NUT	4
3	SEE ITEM #7	DECK ADJ. BRACKET	3
4	607580	HEIGHT ADJ. BUSHING KIT (8PCS)	8
5	O.L.	HEX BOLT - 1/2 X 1.25 NC G5 PL	8
6	305715	SLOTTED NUT - 3/4-10 PL	4
7	526252	HEIGHT ADJ. KIT (ONE CORNER)	1
8	O.L.	GREASE FITTING 1/4 - 28, STRAIGHT	4
9	526186	DECK CHANNEL - PAINTED	2
10	526948	DECK CHANNEL - GALVANIZED	2
11	607649	WIPER CABLE - TDR 22	2
12	531122	DECK - SDR-90	1
13	O.L.	HEX NUT - 1/2NC GR5 PL	38

ITEM	PART #	DESCRIPTION	QTY
14	O.L.	CARR. BOLT- 5/8 X 2 NC GR5 PL	4
15	526148	CLAMP WASHER KIT (4PCS)	4
16	O.L.	LOCK WASHER- 5/8 PL	4
17	O.L.	HEX NUT - 5/8NC GR5 PL	4
18	O.L.	HEX BOLT- 1/2 X 1.75 NC GR5 PL	1
19	O.L.	LOCK WASHER- 1/2 PL	30
20	O.L.	HEX BOLT- 1/2 X 1.5 NC GR5 PL	8
21	O.L.	HEX BOLT- 1/2 X 3 NC GR5 PL	4
22	SEE ITEM 24	HEIGHT INDICATOR PLATE - REAR	2
23	SEE ITEM 24	HEIGHT INDICATOR PLATE - FRONT	2
24	527606	TDR HEIGHT PLATE KIT (4 PCS)	1

O.L. - OBTAIN LOCALLY

1.5 Deck Drive

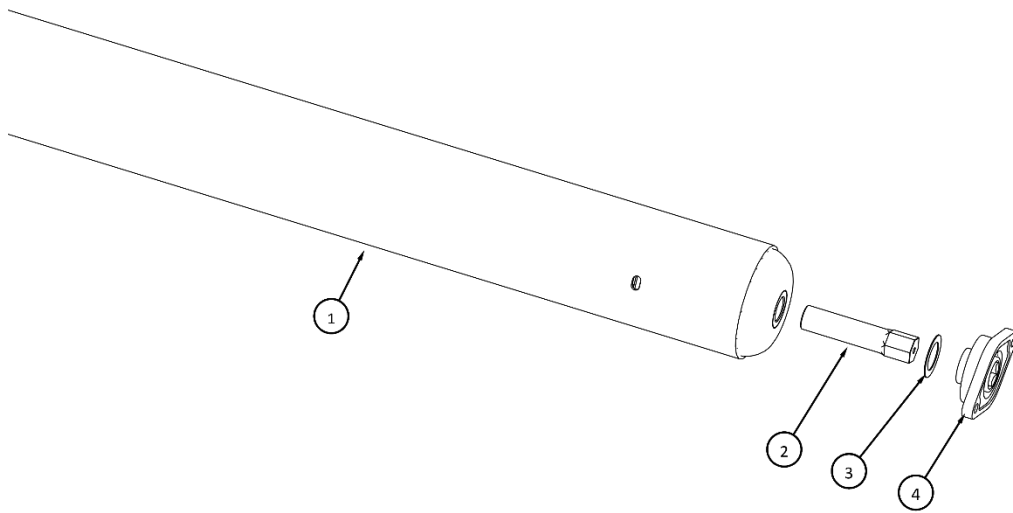


ITEM	PART #	DESCRIPTION	QTY
1	212009	IDLER PULLEY 5"	1
2	212045	BELT - B132	1
3	212046	BELT - B117	1
4	O.L.	LOCK WASHER- 5/8 PL	4
5	O.L.	CARR. BOLT- 1/2 X 4 NC GR5 PL	2
6	O.L.	HEX NUT - 1/2NC GR5 PL	4
7	O.L.	HEX NUT - 5/8NC GR5 PL	4
8	527097	IDLER PULLEY - 7" O.D.	3

ITEM	PART #	DESCRIPTION	QTY
9	527103	IDLER PULLEY BRACKET	2
10	527225	PULLEY SPACER - 0.875	2
11	O.L.	CARR. BOLT- 5/8 X 4 NC GR5 PL	1
12	527229	PULLEY SPACER - 1.48	2
13	O.L.	HEX BOLT- 5/8 X 3.5 NC GR5 PL	1
14	O.L.	CARR. BOLT- 5/8 X 3 NC GR5 PL	1
15	O.L.	HEX BOLT- 5/8 X 2.75 NC GR5 PL	1

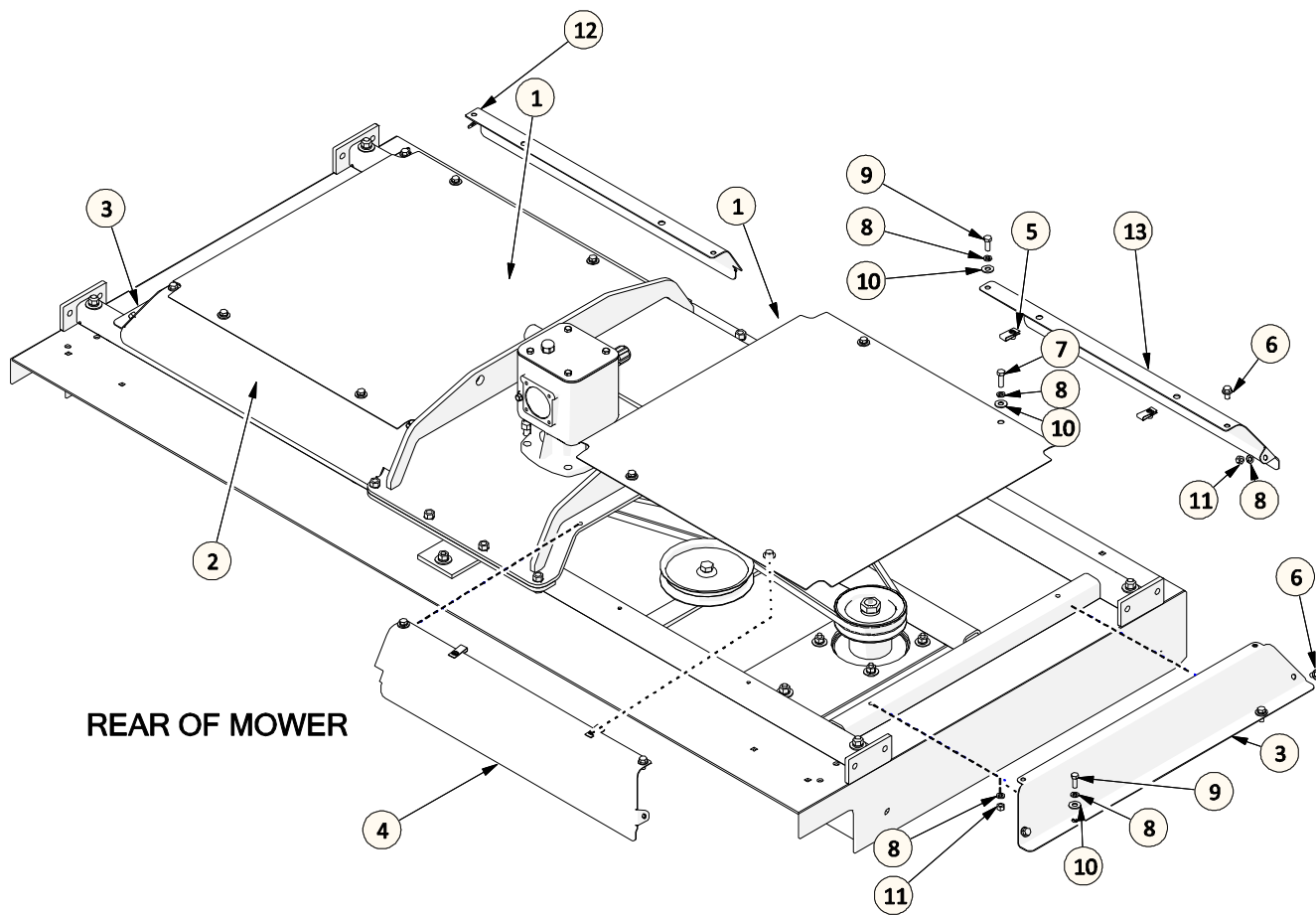
O.L. - OBTAIN LOCALLY

1.6 Deck Roller



ITEM	PART #	DESCRIPTION	QTY
1	607706	ROLLER - TDR 22 HEX /W SHAFTS	1
2	607705	HEX SHAFT REPLACEMENT KIT	1
3	607001	SHIM WASHER - 1.5 (9 PCS)	1
4	213025	2 BOLT FLANGE BEARING (HEX)	1

1.7 Guarding



REAR OF MOWER

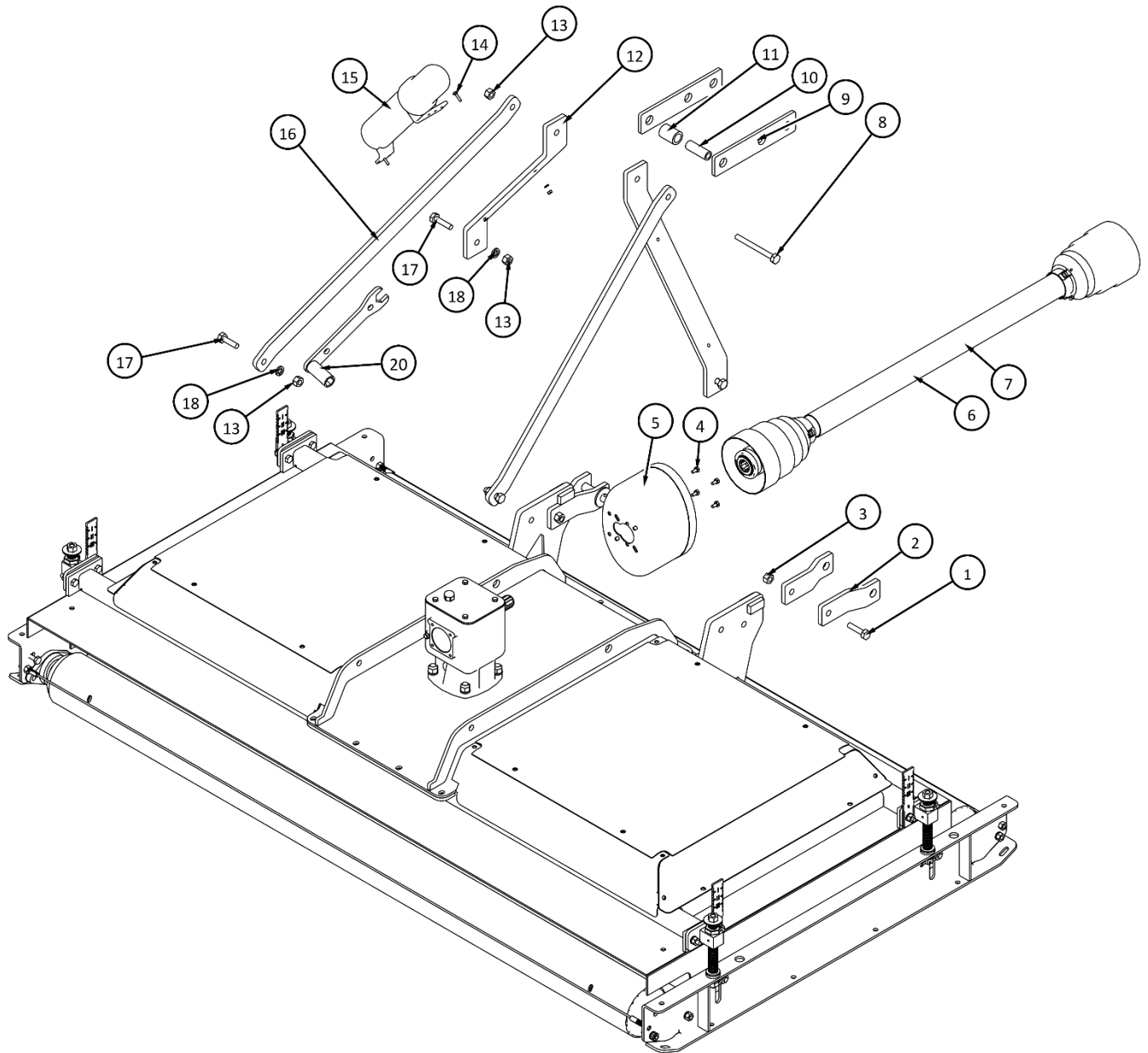
ITEM	PART #	DESCRIPTION	QTY
1	527367	DECK SHIELD	2
2	527359	DECK SHIELD SIDE - R.H.	1
3	527363	DECK SHIELD END	2
4	527361	DECK SHIELD SIDE - L.H.	1
5	527308	U-NUT - 3/8" NC	8
6	O.L.	FLANGE BOLT - 3/8 X 5/8	4
7	O.L.	HEX BOLT - 3/8 x 1.25 NC GR5 PL	4

ITEM	PART #	DESCRIPTION	QTY
8	O.L.	LOCK WASHER- 3/8 PL	12
9	O.L.	HEX BOLT- 3/8 X 1 NC GR5 PL	4
10	O.L.	FLAT WASHER- 3/8 PL	8
11	O.L.	HEX NUT - 3/8NC GR5 PL	4
12	531143	DECK SHIELD SIDE - L.H.	1
13	531145	DECK SHIELD SIDE - R.H.	1

O.L. - OBTAIN LOCALLY

2 FRAME ASSEMBLY

2.1 3 PT Hitch Linkage

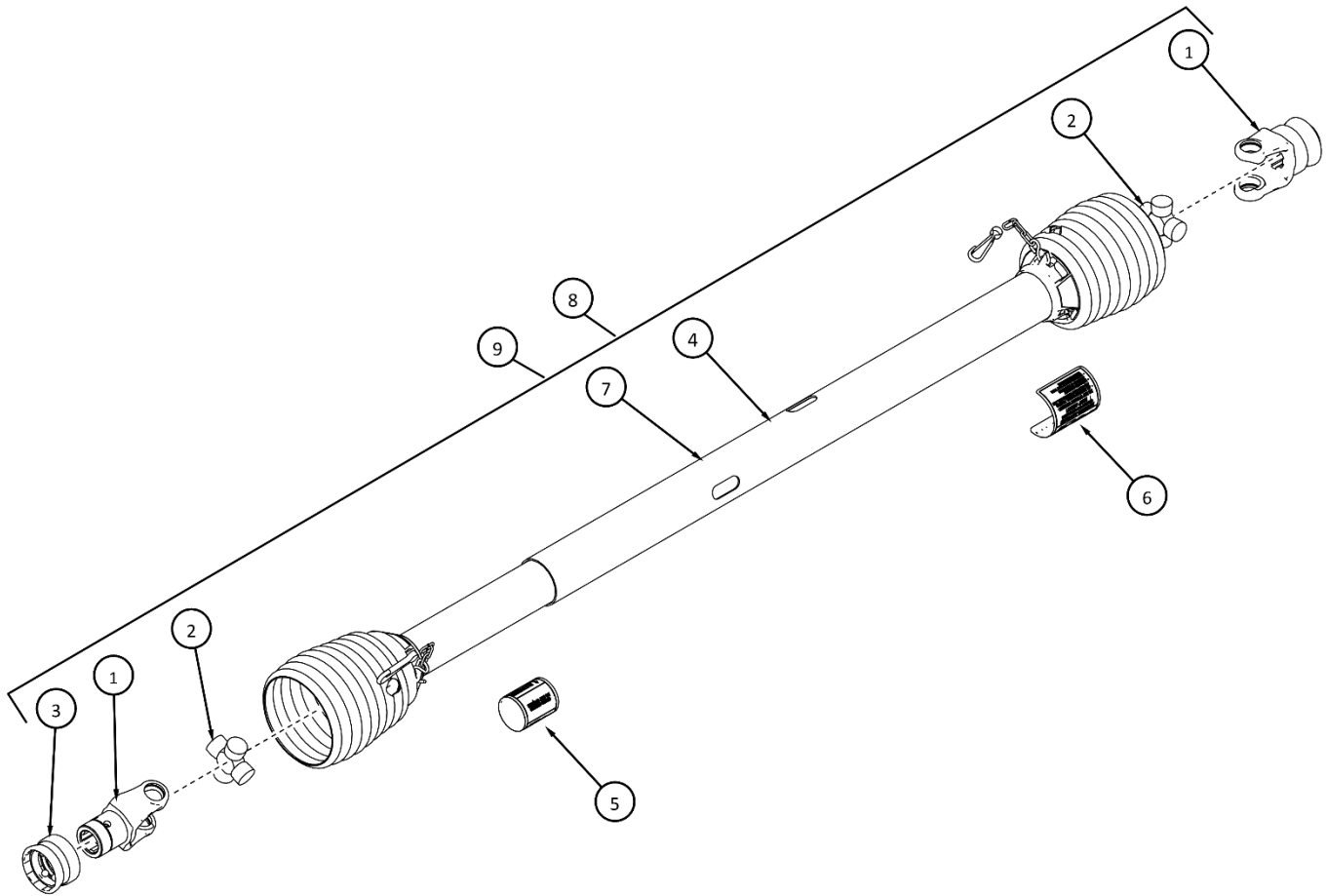


ITEM	Part Number	Description	QTY
1	O.L.	5/8" x 2.5" GR5 HEX BOLT	1
2	524031	LOWER HITCH LINK	2
3	O.L.	HEX LOCK NUT - 5/8 NC GR5	2
4	O.L.	M8 X1.25 X 14 mm HEX BOLT	4
5	210061	COUNTER CONE - DECK GEARBOX	1
6	210180	PTO SHAFT - North American	1
7	210184	PTO SHAFT - CE	1
8	O.L.	HEX BOLT - 5/8 X 6 NC GR5	1
9	524017	TOP HITCH LINK	2
10	524250	3RD LINK BUSHING	1

ITEM	Part Number	Description	QTY
11	524252	3RD LINK BUSHING	1
12	531103	SDR FRONT UPRIGHT LINK	2
13	O.L.	HEX NUT - 5/8 NC GR5	4
14	O.L.	CARR BOLT - 1/4 X 1 NC GR5	2
15	120519	MANUAL HOLDER TUBE	1
16	531135	SDR BACK LINK	2
17	O.L.	HEX BOLT 5/8" x 2" GR5	4
18	O.L.	LOCK WASHER - 5/8	4
20	526094	HEIGHT ADJUST WRENCH	1

O.L. - OBTAIN LOCALLY

2.2 PTO Shaft



ITEM	PART #	DESCRIPTION	QTY
1	210192	SPRING-LOK YOKE ASSM.	2
2	210191	CROSS AND BEARING KIT	2
3	210196	SPRING-LOK REPAIR KIT	2
4	210182	COMPLETE GUARD SET - STANDARD	1
5	210239	SAFETY SIGN - INNER GUARD	1
6	210237	SAFETY SIGN - OUTER GUARD	1
7	210183	COMPLETE GUARD KIT CE - SDR	1
8	210180	DECK SHAFT - STANDARD	1
9	210184	DECK SHAFT - SDR-90 CE	1

3 DECALS

Safety SDR Decal Kit - 531002



(209172)
GENERAL SAFETY



209113
REPLACE SHIELD



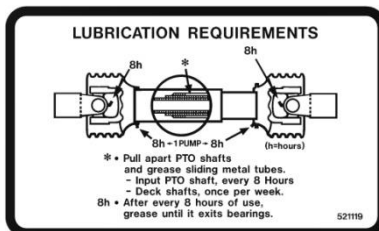
209173
ROTATING BLADE HAZARD



209115
OEM REPLACEMENT PARTS



521820
DISENGAGE PTO



521119
PTO LUBRICATION



521817

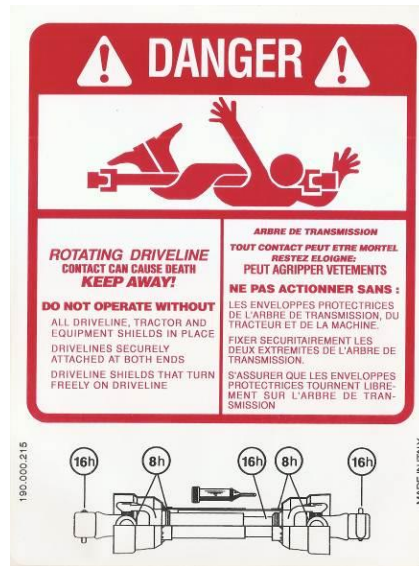
PROGRESSIVE SDR-90 ROLLER MOWER

209133
SDR-90 MODEL DECAL



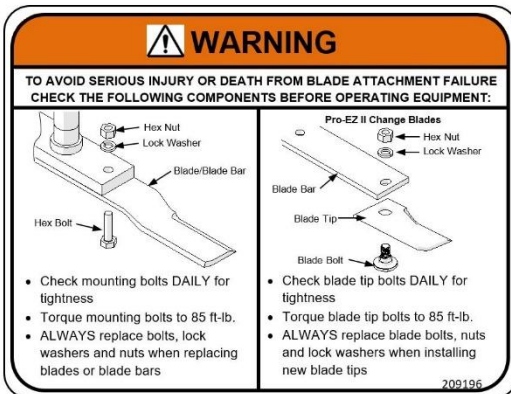
521451

PTO INNER WARNING



521455

PTO OUTER WARNING



209196 (SDR-90)

BLADE HARDWARE