



TRANSPORTABLE REEL MOWERS

5, 7, 9 and 11 Gang Mowers

PARTS LIST



Kesmac Inc.

23324 Woodbine Avenue, Keswick Ontario Canada L4P 0N1

Tel (905) 476-6222 Fax (905) 476-6744

Web Site www.brouwerkesmac.com Email info@kesmac.com

Oct. 2023
KM99027

KESMAC INC.
DBA BROUWER KESMAC
23324 Woodbine Ave.
Keswick, ON L4P 0N1
Phone: (905) 476-6222
Fax: (905) 476-6744
Website: www.brouwerkesmac.com



STATEMENT OF LIMITED WARRANTY

Brouwer Kesmac warrants its full line of equipment to be free from defects in material and factory workmanship for a period of 12 months. This warranty begins on the date of sale or use of the equipment to the original purchaser. This statement does not extend or limit engine, tractor or component warranties in which the engine, tractor or component manufacturers may carry extended time periods up to 24 months. Engine, tractor or component warranty claims will be subject to the engine, tractor or components manufacturer's approval.

Replacement Parts carry a 90 day replacement warranty and are reimbursed to the dealer. All electrical and hydraulic parts are limited by this policy and will only be covered upon approval by the service department after inspection of the part. The installation and removal of a part will automatically place that part under the replacement parts warranty.

This warranty is limited exclusively to equipment or accessories manufactured or supplied by **Brouwer Kesmac** and are subject to the inspection and analysis by the company to conclusively identify the nature and cause of failure.

PRODUCT REGISTRATION FORM must be completely filled out, signed by the customer at the original date of installation, and returned to **Brouwer Kesmac** before any claims will be considered.

Brouwer Kesmac reserves the right to incorporate improvements in material and design of its products without notice and is not obligated to make the same improvements to equipment previously manufactured.

Brouwer Kesmac is not obliged under any warranty policy different from the Kesmac Brouwer Turf warranty policy as published above.

BROUWER KESMAC RESPONSIBILITIES

Brouwer Kesmac's obligation under the terms of this warranty is limited to the repair, replacement or credit, at its option, of the equipment, parts or supply items that conform to its warranty.

DEALER'S RESPONSIBILITIES

1. Only factory-trained service or approved personnel will be permitted to perform warranty service on **Brouwer Kesmac** equipment.
2. All major warranty claims exceeding \$650.00 (in total including parts and labour) must be authorized by **Brouwer Kesmac** before work is performed.
3. All replacement parts used in warranty situations must be furnished by **Brouwer Kesmac** or approved by **Brouwer Kesmac** personnel. The use of non-recommended oil could nullify warranty.

OWNERS RESPONSIBILITIES

The owner is obligated to operate and maintain the equipment in accordance with the recommendations published by **Brouwer Kesmac** in the owners/operators manual for the unit. The owner is responsible for the costs associated with such maintenance and operating adjustments that may be required on a regularly scheduled basis. Where applicable the owner is responsible for transportation to and from the dealership or service calls made by the dealer.

CONDITIONS THAT VOID WARRANTY

This warranty shall not apply to equipment which:

- 1. Has had repairs or modifications not authorized by **Brouwer Kesmac**
- 2. Has been subject to abuse, improper maintenance, or improper application.
- 3. Has been modified from original equipment specifications.

WARRANTY EXCEPTIONS

This warranty does not apply to the following items:

- 1. Wear items including blades, cutting edges, cutting arms, spark plugs, belts, filters, bearings, sprockets, chains, tires, light bulbs, lubricants and fluids etc. Cost of normal maintenance including replacement of service items.
- 2. Damages to engine/drive systems caused by lack of/or improper lubricants and/or fluids.
- 3. Damages arising from accident, misuse or neglect.
- 4. Damages to engine/drive systems caused by improper operation and/or maintenance.
- 5. **Brouwer Kesmac** will not be liable for any incidental or consequential damage or injuries, including but not limited to loss of profits, loss of crops, rental of substitute equipment, or other commercial loss or for damage to the equipment in which the Company Product is installed.

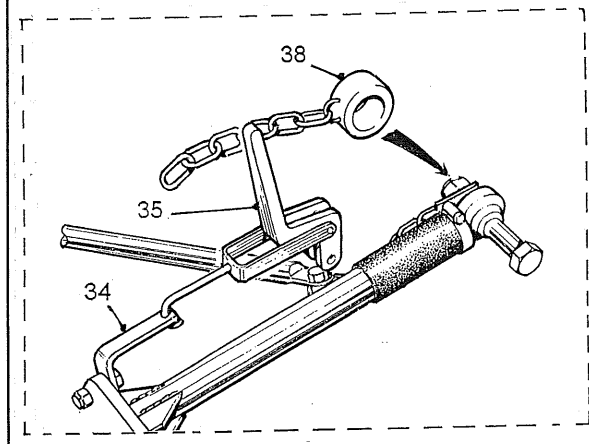
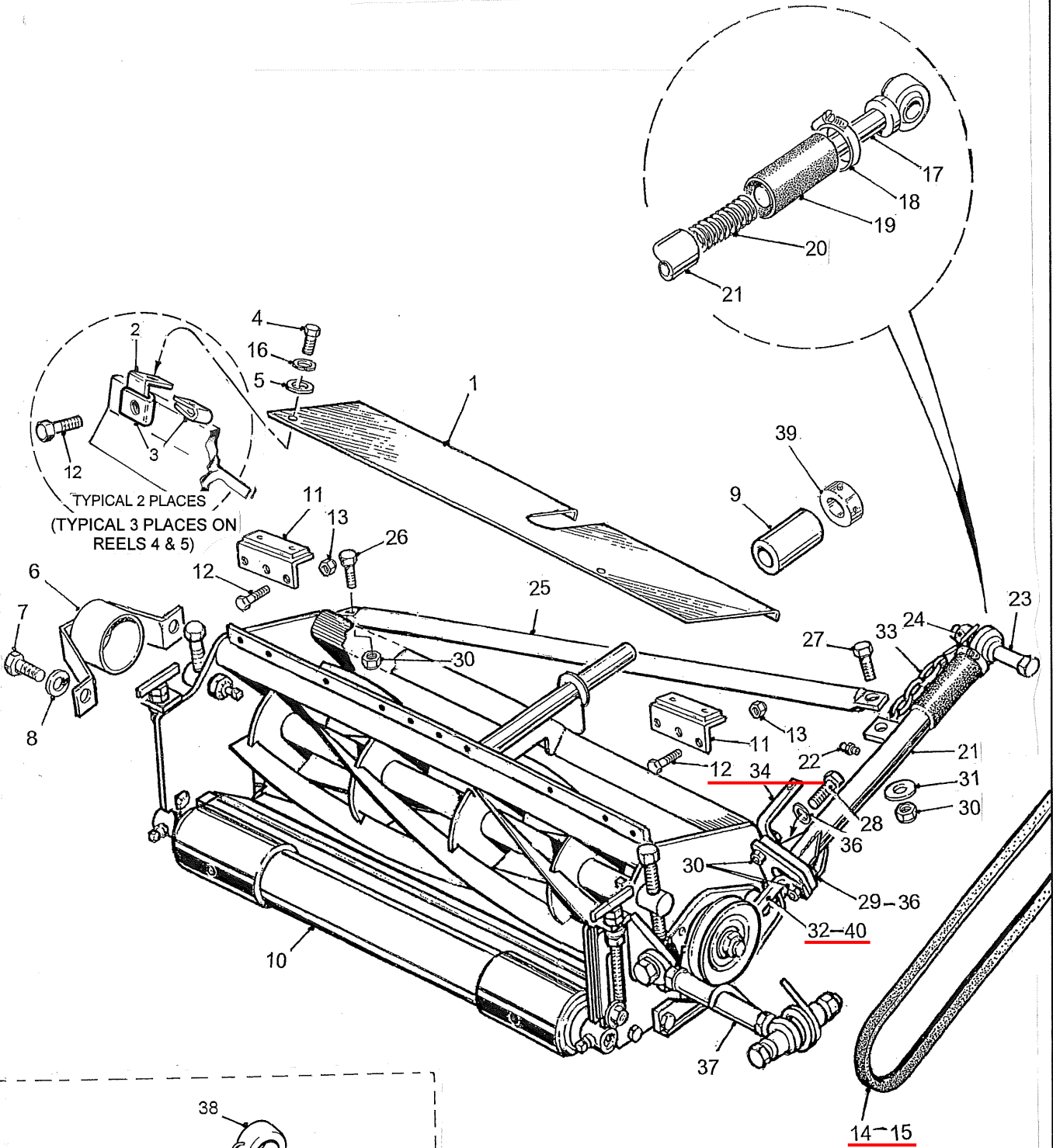
FREIGHT CARRIER DAMAGE

Claims for equipment damaged in transit should be referred to the freight carrier. Visible damage should be reported immediately and concealed damage as soon as possible, in accordance with freight carrier regulations.

SECTION 1 - REELS

Reel Assembly. (Typical)	1-01
Reel Assembly. (See Section 8 for Single Point Adjust Reel Option)	1-03
Reel Cylinder	1-05
Roller Assembly	1-07
Tie Rod Assembly	1-09

REEL ASSEMBLY (TYPICAL)

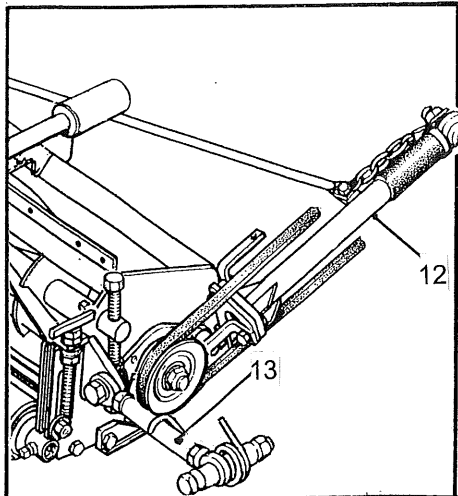
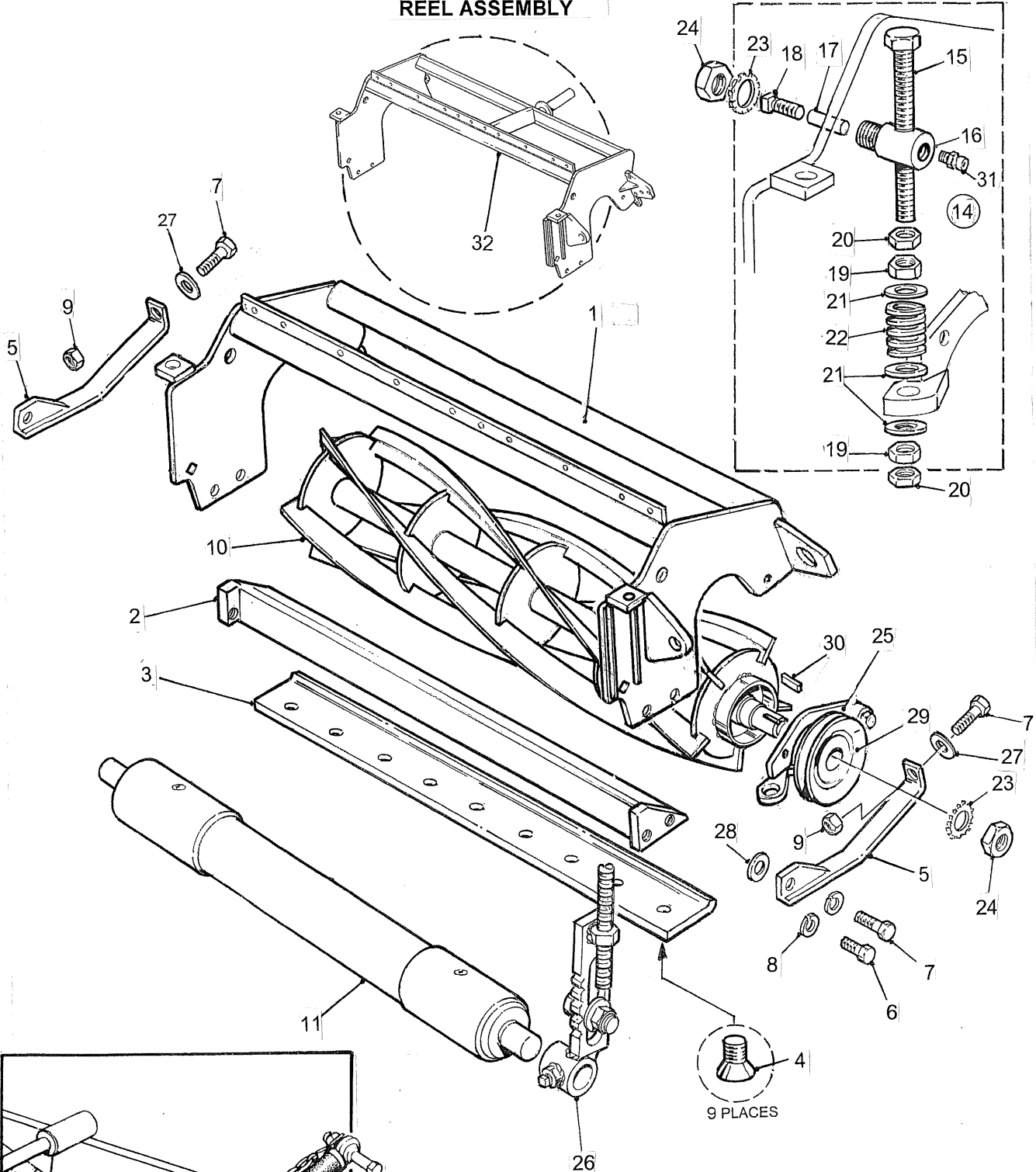


ITEM NO.	PART NO	DESCRIPTION	QTY
		REEL ASSEMBLY (TYPICAL)	
1	<u>C100056</u>	Reel Guard No. 1, 2 & 3	3
	<u>C100057</u>	Reel Guard No. 4	1
	<u>C100058</u>	Reel Guard No. 5	1
	<u>C100067</u>	Reel Guard No. 6	1
	<u>C100068</u>	Reel Guard No. 7	1
	<u>C100059</u>	Reel Guard No. 8 & 10	2
	<u>C100060</u>	Reel Guard No. 9 & 11	2
2	<u>C100052</u>	Bracket Reel Guard Mount	2
	<u>C100250</u>	Bracket Reel Guard Mount. Reel 4 & 5 - 10 in. Reel	2
3	<u>F240500</u>	Clip Nut	4
4	<u>F040510</u>	Bolt 5/16 UNC x 1	2
5	<u>F320500</u>	Flatwasher 5/16	2
6	<u>C300018</u>	Guard, Reel Bearing	1
7	<u>F040604</u>	Bolt 3/8 UNC x 1/2 GR8	2
8	<u>F310600</u>	Lockwasher 3/8	1
9	<u>C100053</u>	Snubber Roller	1
10	<u>C500157</u>	Roller Assy (See Page 7)	1
11	<u>C500004</u>	Bumper Pad (Reels 6 & 7 only)	2
12	<u>F040510</u>	Bolt 5/16 UNC x 1	8
13	<u>F210500</u>	Locknut 5 16 UNC	4
14	<u>KD62366</u>	Belt - Reel Drive (Kevlar)	1
15	<u>MD62064</u>	Belt - Reel Drive	1
16	<u>F310500</u>	Lockwasher 5/16	4
17	<u>C300017</u>	Pivot Post	1
18	<u>CM02024</u>	Hose Clamp	1
19	<u>C100039</u>	Sleeve	1
20	<u>CS10002</u>	Spring	1
21	<u>C300084</u>	Telescopic Arm. From Aug./ 00. (C300016 Non Current up to Aug./ 00)	1
22	<u>CM11400</u>	Grease Fitting	1
23	<u>F041250</u>	Bolt 3/4 UNC x 5 GR8	1
24	<u>F211200</u>	Locknut 3/4 UNC	1
25	<u>C100047</u>	Strut	1
26	<u>F040710</u>	Bolt 7/16 UNC x 1 GR8	1
27	<u>F010714</u>	Bolt 7/16 UNC x 1 1/2 GR8	1
28	<u>F040716</u>	Bolt 7/16 UNC x 1 3/4 GR8	1
29	<u>F040714</u>	Bolt 7/16 UNC x 1 1/2 GR8	1
30	<u>F210700</u>	Locknut 7/16 UNC	2
31	<u>F320700</u>	Flatwasher 7/16	5
32	<u>C100042</u>	Pulley Scraper	1
33	<u>C300020</u>	Safety Chain	1
34	<u>C100066</u>	Release Link	1
35	<u>CM90002</u>	Binder Release	1
36	<u>F380120</u>	Flatwasher (Special - nickle plated)	5
37	-----	Compensator Tie Rod (See Page 1-09)	Ref
38	<u>C300032</u>	Belt Release Collar/Chain Assy	1
39	<u>C100069</u>	Lock Collar (c/w set screws) Snubber Roller	1
40	<u>C100233</u>	Pulley Scraper 10 in. Reel	1

NOTE

Items 17, 18, 19, 20 available as assembly No. C500047.

REEL ASSEMBLY



NOTE 1
 Refer to Section 8 for the Single Point Adjustment Reel Option.

NOTE 2
 Refer to Section 6 for the Fairway Mower Reel assembly.

ITEM NO.	PART NO	DESCRIPTION	QTY
REEL ASSEMBLY			
1	<u>C300010</u>	Reel Frame (No. 1, 3 & 7)	3
	<u>C300011</u>	Reel Frame (No. 2 & 6)	2
	<u>C300012</u>	Reel Frame (No. 4)	1
	<u>C300013</u>	Reel Frame (No. 5)	1
	<u>C300014</u>	Reel Frame (No. 8 & 10)	2
	<u>C300015</u>	Reel Frame (No. 9 & 11)	2
2	<u>C300005</u>	Bedknife Holder	1
3	<u>C200001</u>	Bedknife Blade	1
4	<u>F120605</u>	Bedknife Screw	9
5	<u>C300009</u>	Skid Shoe	2
6	<u>F040710</u>	Bolt 7/16 UNC x 1 GR8	2
7	<u>F040712</u>	Bolt 7/16 UNC x 1 1/4 GR8	4
8	<u>F310700</u>	Lockwasher	4
9	<u>F210700</u>	Locknut	2
10	<u>C400001</u>	Reel Cylinder (5 Blade) (see page 5 for other configurations)	1
11	<u>C500001</u>	Roller Assembly (see page 7)	1
12	<u>C500047</u>	Telescopic Arm Assembly (see page 1)	ref
13	<u>C500007</u>	Tie Rod Assembly (see page 7)	ref
14	<u>C500036</u>	Reel Adjuster Assembly	2
15	<u>C300008</u>	Height Adjuster Bolt	1
16	<u>C100010</u>	Adjuster Nut	1
17	<u>C100022</u>	Lock Slug	1
18	<u>F110612</u>	Screw 3/8 UNC x 1 1/4 Sq. Hd. Cup Pt.	1
19	<u>F231050</u>	Nut 5/8 UNF	2
20	<u>F221050</u>	Jam Nut 5/8 UNF	2
21	<u>F331000</u>	Flatwasher 5/8 SAE.	3
22	<u>CS10001</u>	Spring	1
23	<u>F371200</u>	Lockwasher 3/4 External Tooth	3
24	<u>F221250</u>	Jam Nut 3/4 UNF	3
25	<u>C300001</u>	Reel Bearing Holder (see page 5)	ref
26	<u>C500002</u>	Roller Height Adjuster Assembly LH (see page 7)	1
	<u>C500003</u>	Roller Height Adjuster Assembly RH	1
27	<u>F380120</u>	Flatwasher. Special Nickle Plated	5
28	<u>F380700</u>	Shim Washer	A/R
29	<u>C400003</u>	Drive Sheave	1
30	<u>F924410</u>	Key	1
31	<u>KM11410</u>	Grease Fitting	1
32	<u>C300065</u>	Reel Frame LH 10in.	1
	<u>C300066</u>	Reel Frame RH 10in.	1
	<u>C300067</u>	Reel Frame LH (No. 4) 10in.	1
	<u>C300068</u>	Reel Frame RH (No. 5) 10in.	1

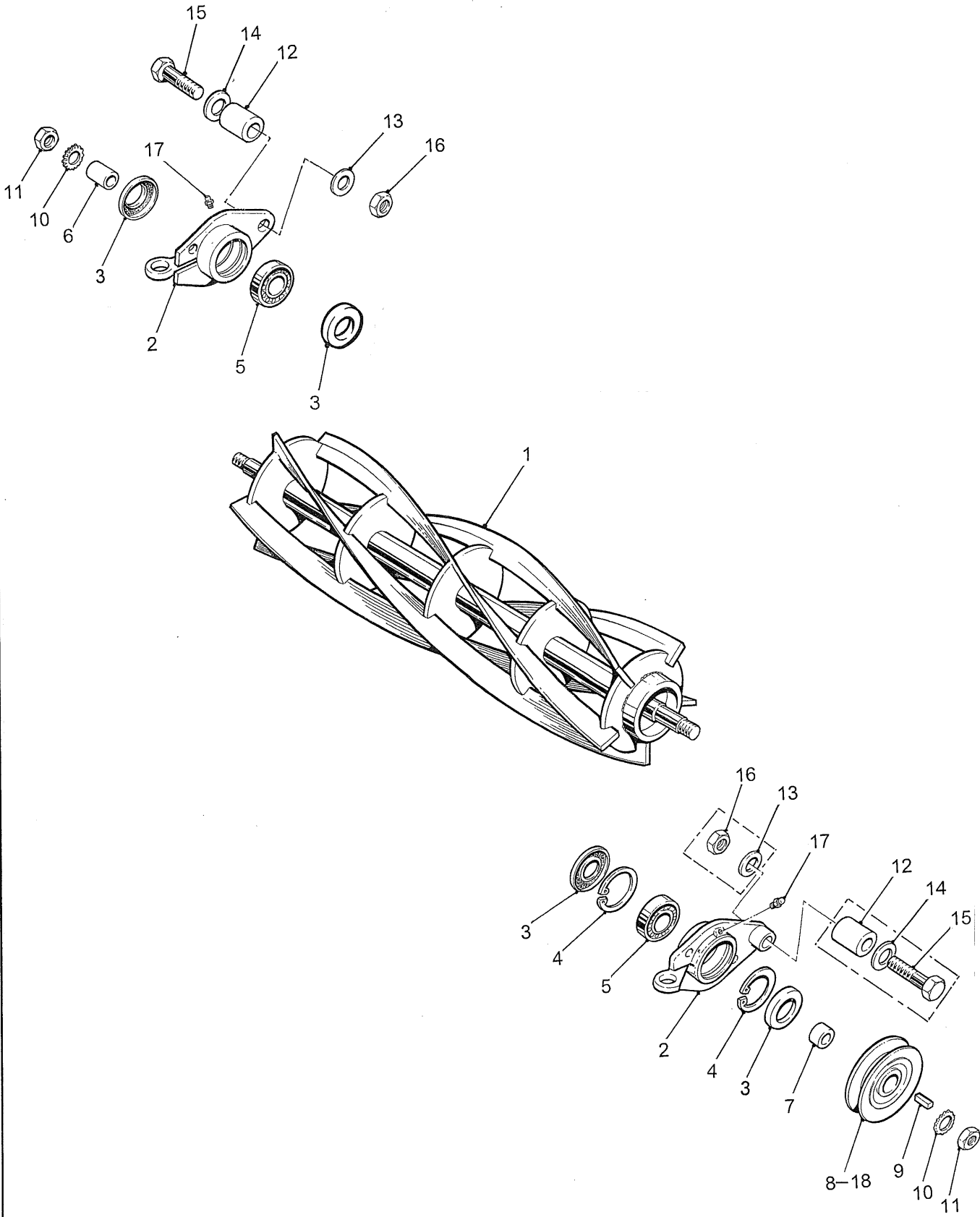
NOTE 1

Refer to Section 6 for the Fairway Mower Reel assembly.

NOTE 2

Refer to Section 8 for the Single Point Adjustment Reel Option

REEL CYLINDER



ITEM NO.	PART NO	DESCRIPTION	QTY
		REEL CYLINDER	
1	<u>C400001</u>	Reel Cylinder, 5 Blade	1
	<u>C400002</u>	Reel Cylinder, 6 Blade	1
	<u>C400004</u>	Reel Cylinder, 7 Blade	1
	<u>C400005</u>	Reel Cylinder, 8 Blade	1
	<u>C400008</u>	Reel Cylinder, 9 Blade (opt)	1
	<u>C400012</u>	Reel Cylinder, 10 Blade (opt)	1
	<u>C400009</u>	Reel Cylinder, 5 Blade - 10 in. Reel	1
	<u>C400011</u>	Reel Cylinder, 6 Blade - 10 in. Reel	1
2	<u>C300001</u>	Bearing Holder	2
3	<u>CB90001</u>	Bearing Seal	4
4	<u>F815244</u>	Retaining Ring. Internal	2
5	<u>CB10001</u>	Bearing	2
6	<u>C100020</u>	Spacer - Long	1
7	<u>C100021</u>	Spacer - Short	1
8	<u>C400003</u>	Drive Sheave	1
9	<u>F924410</u>	Key	1
10	<u>F371200</u>	Lockwasher 3/4 Ext. Tooth	2
11	<u>F221250</u>	Jam Nut 3/4 UNF	2
12	<u>C100019</u>	Pivot Bushing	2
13	<u>F380700</u>	Shim Washer	2
14	<u>F320700</u>	Flatwasher 7/16	2
15	<u>F040716</u>	Pivot Bolt 7/16 UNC x 1 3/4 GR8	2
16	<u>F220700</u>	Jam Nut 7/16 UNC	1
17	<u>CM11400</u>	Grease Fitting	1
18	<u>C100234</u>	Drive Sheave - 10 in. Reel	1

NOTE

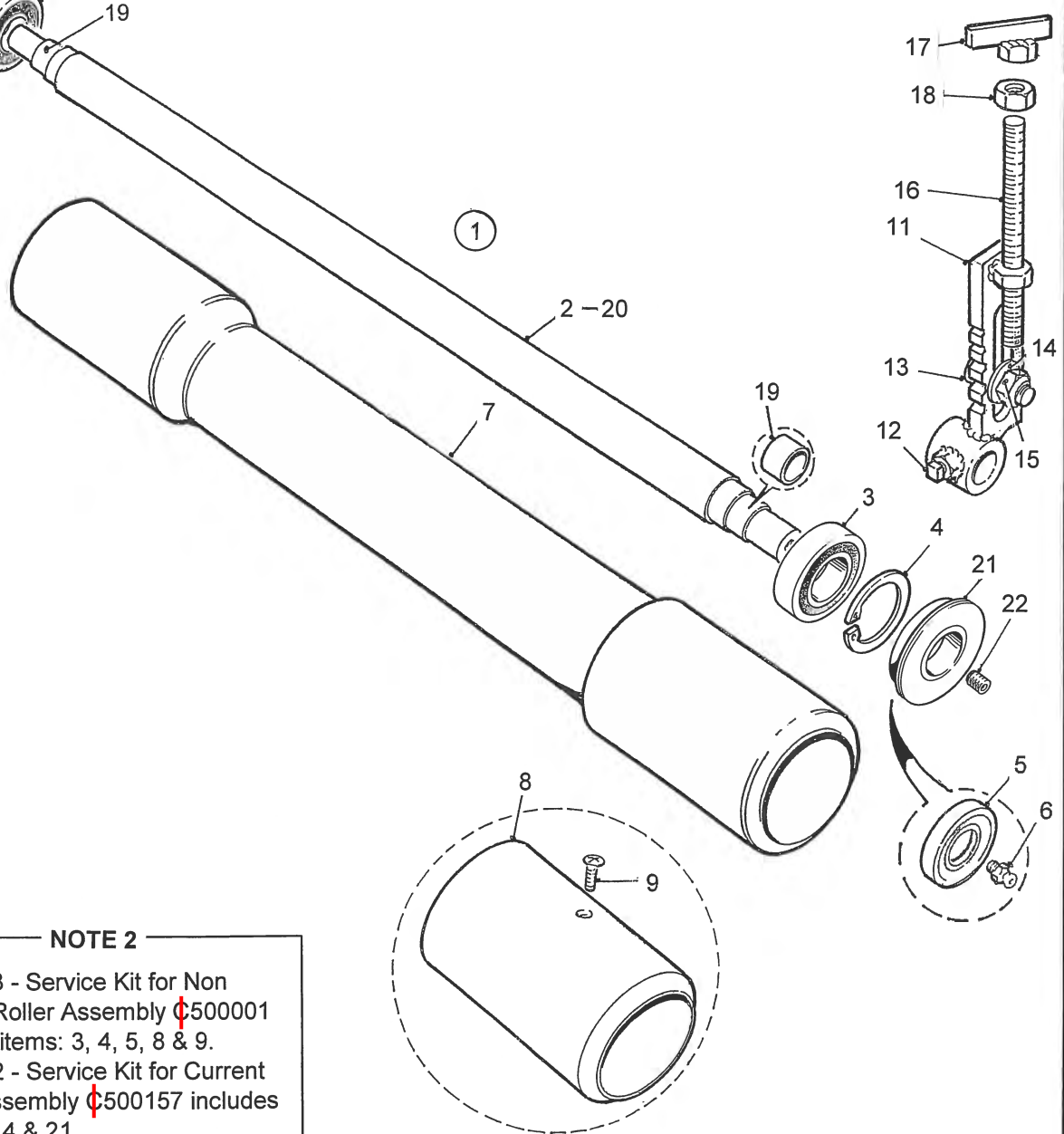
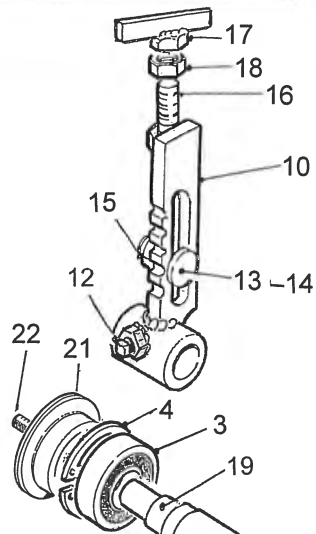
Items 3, 5 & 12 are available as Mower Reel Repair Kit - C500175.

ROLLER ASSEMBLY

NOTE 1

C100046 - Single Lip Seal is Non Current up to Serial No. 581, including Serial No. 583.

Recommend replacing with New Seal - C100247, Bearing - CB40001 (both seals intact) & Set Screw - F720402 (in place of grease fitting).



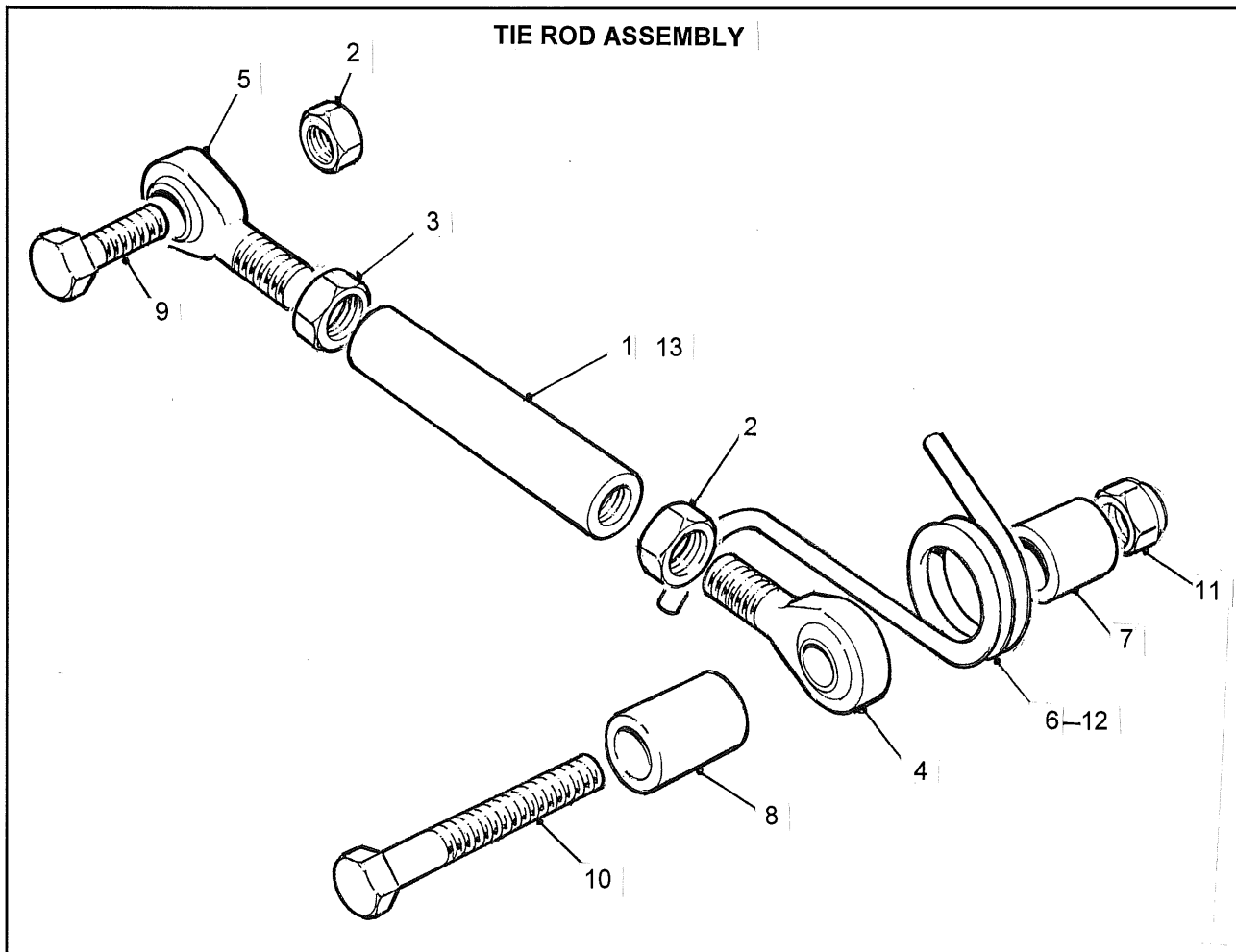
NOTE 2

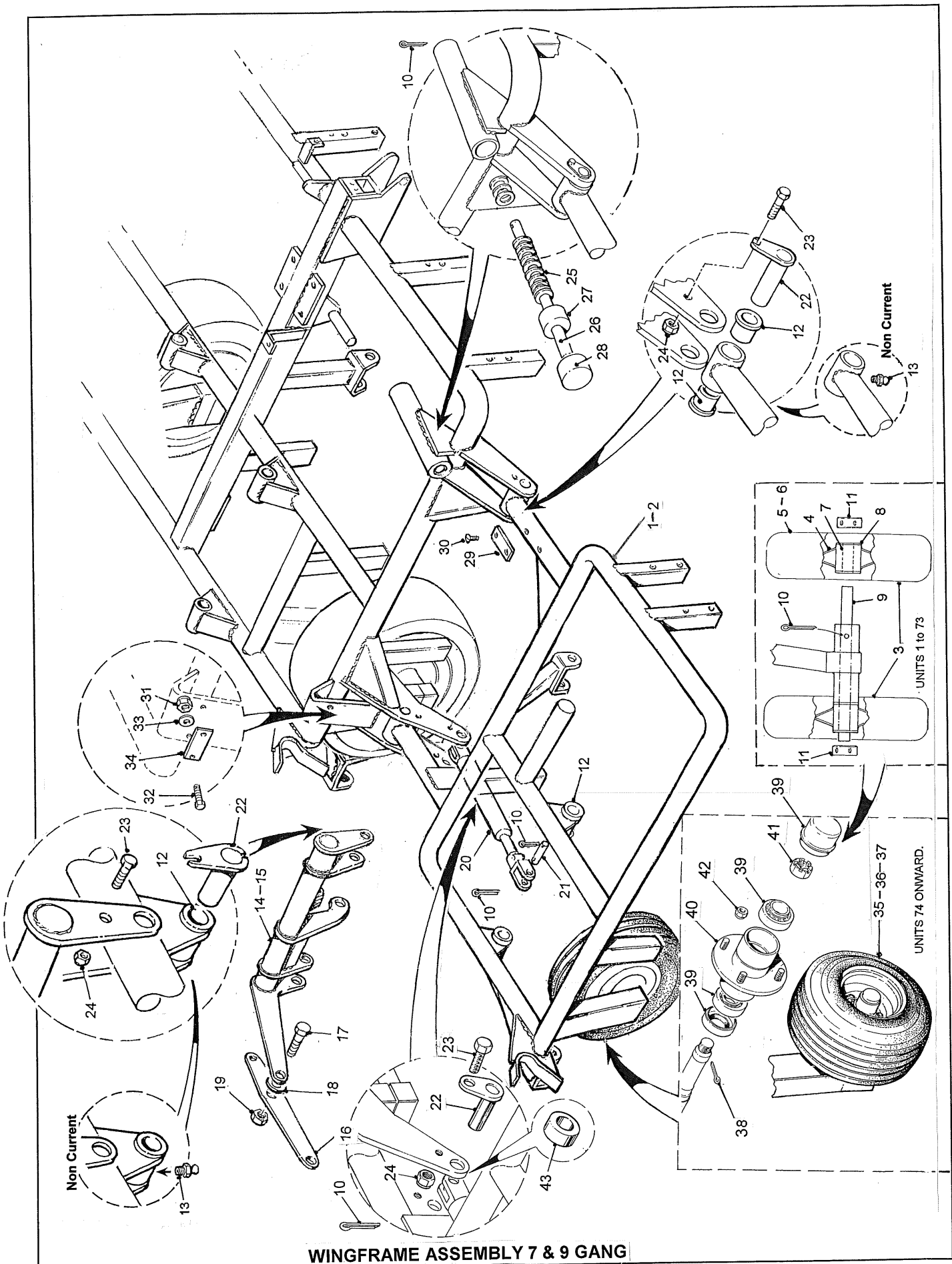
M500083 - Service Kit for Non Current Roller Assembly C500001 includes items: 3, 4, 5, 8 & 9.

M500082 - Service Kit for Current Roller Assembly C500157 includes items: 3, 4 & 21.

ITEM NO.	PART NO	DESCRIPTION	QTY
ROLLER ASSEMBLY			
1	<u>C500157</u>	Roller Assembly. Expanded Ends	1
	<u>C500065</u>	Roller Assembly. Grooved Roller (Special Order)	1
2	<u>C100005</u>	Roller Shaft	1
	<u>C100081</u>	Roller Shaft. (Special Order)	1
3	<u>KB50003</u>	Bearings	2
4	<u>F815206</u>	Retaining Ring, internal	2
5	<u>C100046</u>	Seal. Non Current up to Serial No. 581, including Serial No. 583	2
6	<u>KM11400</u>	Grease Fitting. Non Current up to Serial No. 581, including Serial No. 583	1
7	<u>C300115</u>	Roller. Expanded Ends. (No Sleeve)	1
8	<u>C100030</u>	Roller Sleeve (Non Current)	2
9	<u>F690210</u>	Screw 10 unc x 3/4 Wafer Socket Self Drill	4
10	<u>C300003</u>	Roller Height Adjuster LH	1
11	<u>C300004</u>	Roller Height Adjuster RH	2
12	<u>F110606</u>	Set Screw 3/8 UNC x 3/4 Sq. Hd. Cut Pt.	2
13	<u>F020814</u>	Carriage Bolt 1/2 UNC x 1 1/2	2
14	<u>F320800</u>	Flatwasher 1/2	2
15	<u>F210800</u>	Locknut	2
16	<u>C300007</u>	Adjuster Bolt - Roller Height	2
17	<u>C300006</u>	Adjuster Nut - Roller Height Adjuster	2
18	<u>F250800</u>	Roller Height Nut (Plated Coil) 1/2	2
19	<u>C100083</u>	Wear Sleeve - See Note 5	2
20	<u>C500066</u>	Shaft C/W Wear Sleeve - See Note 5	1
	<u>C500067</u>	Shaft C/W Wear Sleeve. (Special Order)	2
21	<u>C100247</u>	Seal. Ground Roller. Current from Serial No. 582 except Serial No. 583	2
22	<u>F720402</u>	Set Screw 1/4 unc cup point 28 - See Note 5	1
<div style="border: 1px solid black; padding: 5px; width: fit-content; margin: 10px auto;"> <p style="text-align: center;">NOTE 1</p> <p>See Section 6 for the Grooved Roller Assembly.</p> </div>			
<div style="border: 1px solid black; padding: 5px; width: fit-content; margin: 10px auto;"> <p style="text-align: center;">NOTE 2</p> <p>C100046 - Single Lip Seal is Non Current up to Serial No 581, including Serial No. 583.</p> <p>Recommend replacing with: New Seal - C100247 Bearing CB40001 (both seals intact) Set Screw - F720402 (in place of grease fitting)</p> </div>			
<p>NOTE 3</p> <p>A) Items 10, 12, 13, 14, 15, 16, 17,18 available as LH assembly No.C500002</p> <p>B) Items 11, 12, 13, 14, 15, 16, 17,18 available as RH assembly No.C500003</p>			
<div style="border: 1px solid black; padding: 5px; width: fit-content; margin: 10px auto;"> <p style="text-align: center;">NOTE 4</p> <p><u>M500083</u> - Service Kit for Non Current Roller Assembly <u>C500001</u> includes items: 3, 4, 5, 8 & 9.</p> <p><u>M500082</u> - Service Kit for Current Roller Assembly <u>C500157</u> includes items: 3, 4 & 21.</p> </div>			
<div style="border: 1px solid black; padding: 5px; width: fit-content; margin: 10px auto;"> <p style="text-align: center;">NOTE 5</p> <p>Items 19, 20 & 22 are Non Current up to Serial No. 869.</p> </div>			

ITEM NO.	PART NO	DESCRIPTION	QTY
TIE ROD ASSEMBLY			
1	<u>C100050</u>	Tie Rod Tube	1
2	<u>F231250</u>	Jam Nut 3/4 UNF. RH.	2
3	<u>F231260</u>	Jam Nut 3/4 UNF. LH.	1
4	<u>CM00121</u>	Rod End RH Male	1
5	<u>CM00122</u>	Rod End LH Male	1
6	<u>KS30002</u>	Compensator Spring (HD)	1
7	C100063	Spacer Short	1
8	C100064	Spacer Long	1
9	<u>F071220</u>	Hex Bolt 3/4 UNF x 2	1
10	<u>F041260</u>	Hex Bolt 3/4 UNC x 6 GR8	1
11	<u>F211200</u>	Locknut 3/4 UNC	1
12	<u>CS30001</u>	Compensator Spring (STD) - Non Current	1
13	<u>C100154</u>	Tie Rod Tube 6in Lg.	1
<p style="text-align: center;">NOTE 1</p> <div style="border: 1px solid black; padding: 5px; width: fit-content; margin: auto;"> <p>C100154 - Tie Rod Tube 6in. Lg. Is used on Reels 1 to 5. C100050 Tie Rod Tube is used on Reels 6 to 11 (if applicable.)</p> </div>			
<p>NOTE 2</p> <p>A) Items 13, 2, 3, 4, & 5 available as assembly No. C500096</p> <p>B) Items 1, 2, 3, 4, & 5 available as assembly No. <u>C500007</u></p>			



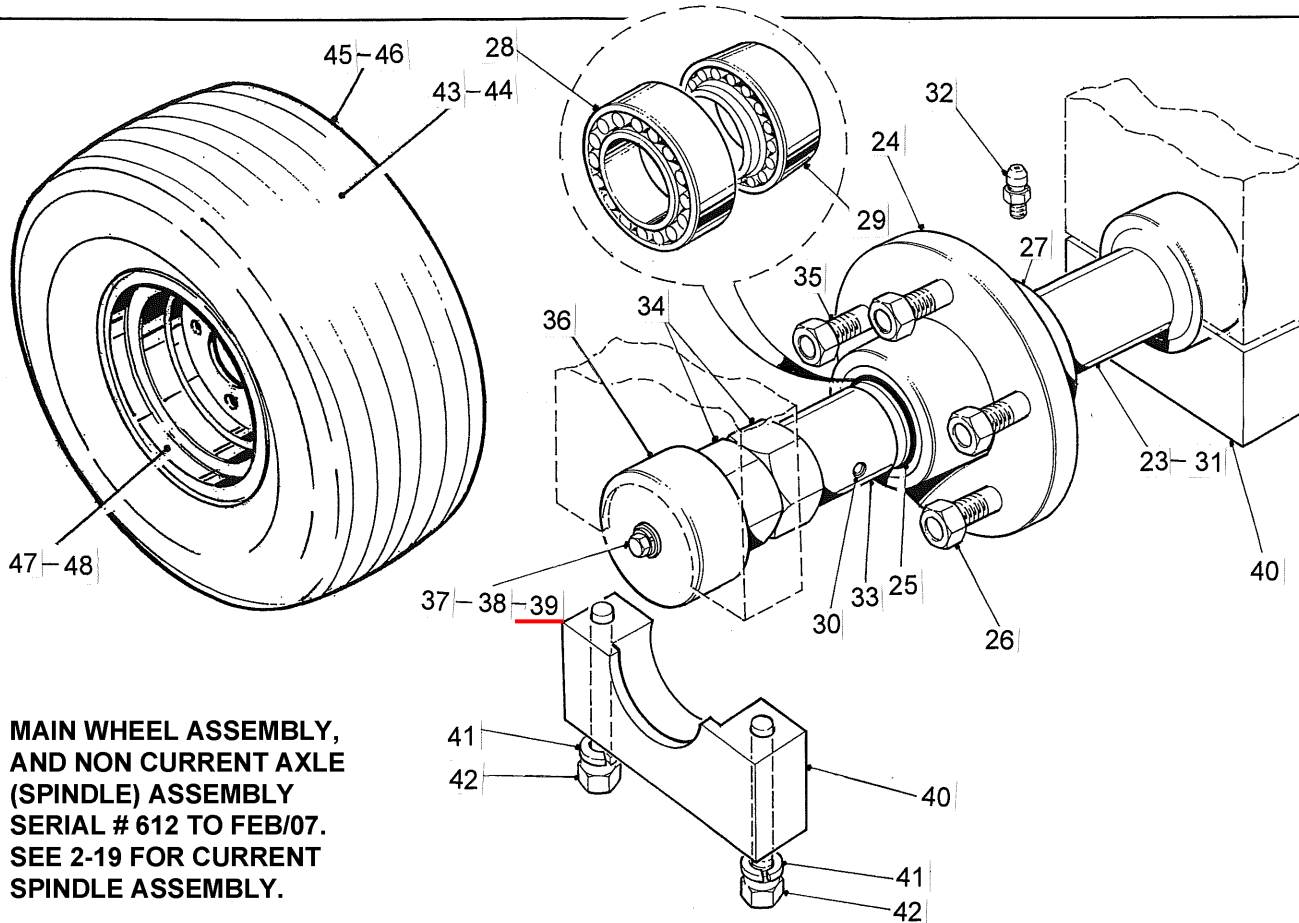


WINGFRAME ASSEMBLY 7 & 9 GANG

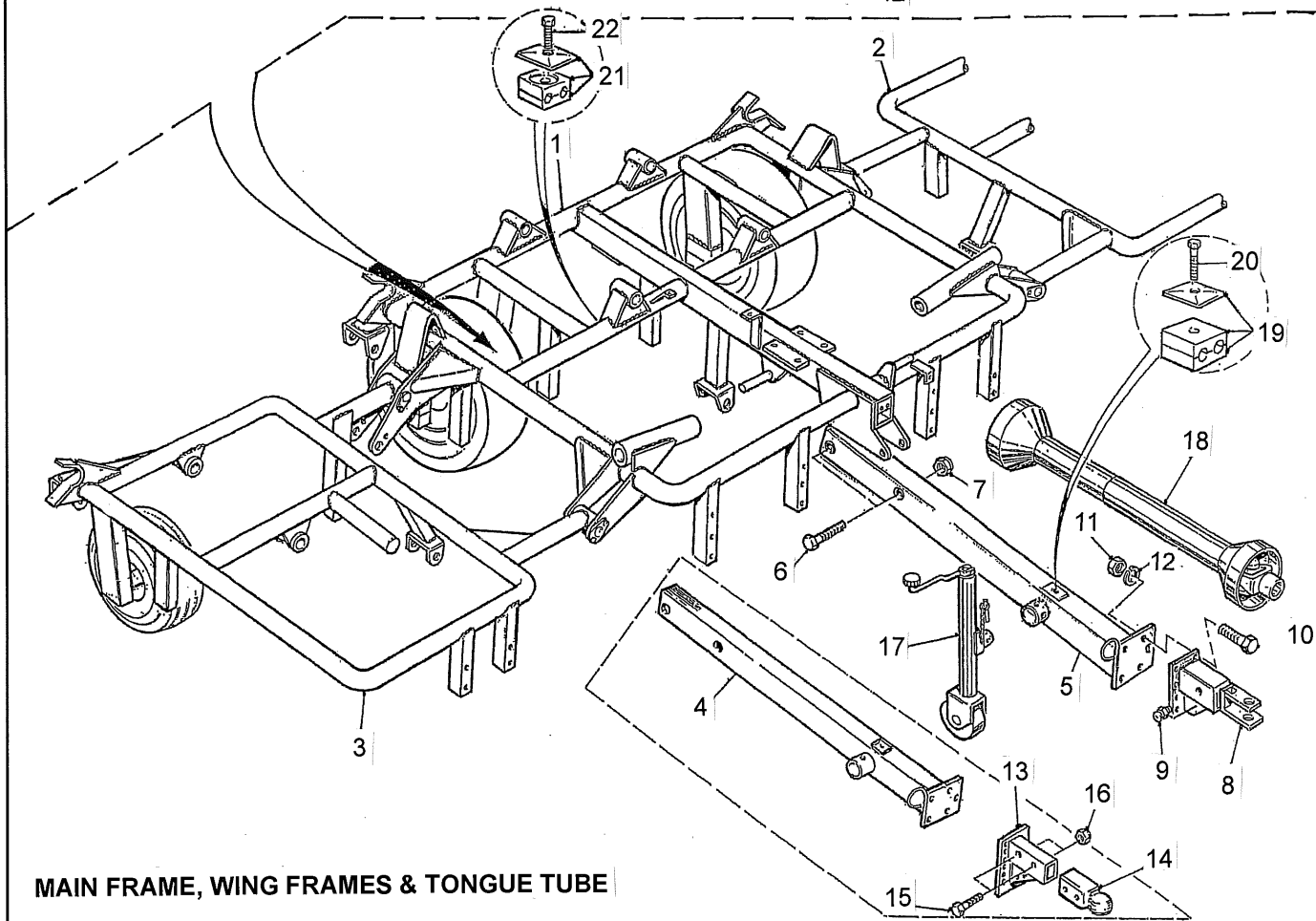
ITEM NO.	PART NO	DESCRIPTION	QTY
		WING FRAME ASSEMBLY 7 & 9 Gang & Outrigger Wheel Assembly (See Page 2-05 for 11 gang)	
1	<u>M300003</u>	Wing Frame - RH	1
	<u>M300080</u>	Fairway 7 Gang Wing Frame - RH	1
	<u>M300103</u>	Fairway 9 Gang Wing Frame - RH	1
2	<u>M300002</u>	Wing Frame - LH (not illustrated)	1
	<u>M300079</u>	Fairway 7 Gang Wing Frame - LH (not illustrated)	2
	<u>M300102</u>	Fairway 9 Gang Wing Frame - LH (not illustrated)	1
3	<u>MW50002</u>	Wheel Assy. Outrigger. Up to Serial No. 73	2
4	<u>MW51002</u>	Wheel Rim	2
5	<u>MW52002</u>	Tire	2
6	<u>MW53002</u>	Tube - Obsolete	2
7	<u>MB50001</u>	Roller Bearing	4
8	<u>MB60001</u>	Retainer Bushing	2
9	<u>M100040</u>	Axle	2
10	<u>F910514</u>	Cotter Pin 5/32 x 1 1/2	6
11	<u>MM10001</u>	Lock Collar	2
12	<u>KB11614</u>	Flanged Bushing	8
13	<u>KM11400</u>	Grease Fitting. Non Current up to Serial No. 571	4
14	<u>M300014</u>	Wing Lift Arm. RH. Std. 9 & 11 Gang	1
	<u>M300099</u>	Wing Lift Arm. RH. Std. 7 Gang	1
	<u>M300097</u>	Wing Lift Arm. RH. Fwy. 9 Gang	1
	<u>M300101</u>	Wing Lift Arm. RH. Fwy. 7 Gang	1
15	<u>M300013</u>	Wing Lift Arm. LH. Std. 9 & 11 Gang	1
	<u>M300098</u>	Wing Lift Arm. LH. Std. 7 Gang	1
	<u>M300096</u>	Wing Lift Arm. LH. Fwy. 9 Gang	1
	<u>M300100</u>	Wing Lift Arm. LH. Fwy. 7 Gang	1
16	<u>M300023</u>	Balance Beam - Non Current	1
17	<u>F041030</u>	Bolt 5/8 x 3 UNC GR8	1
18	<u>F321000</u>	Washer 5/8 SAE	1
19	<u>F231000</u>	Jam Nut 5/8 UNC	1
20	<u>M500012</u>	Wing Lift Cylinder (M500019 Seal Kit)	1
21	<u>P100061</u>	Pin	1
22	<u>M300010</u>	Pivot Pin	5
23	<u>F040512</u>	Bolt 5/16 UNC x 1 1/4 GR8	5
24	<u>F210500</u>	Locknut 5/16 UNC	5
25	<u>MS10003</u>	Kicker Spring	1
26	<u>M300008</u>	Kicker Spring Rod	1
27	<u>M100084</u>	Rod Guide	1
28	<u>M100085</u>	Kick Bumper	1
29	<u>M100027</u>	Bumper Pad	1
30	<u>F690206</u>	Screw - 10 x 3/4 Self Tap	2
31	<u>F210400</u>	Locknut 1/4 UNC	2
32	<u>F040412</u>	Bolt 1/4 UNC x 1 1/4 GR8	2
33	<u>F320400</u>	Flatwasher 1/4	2
34	<u>M100141</u>	Bumper Stop	1
35	<u>MW50004</u>	Outrigger Wheel Assy. From Serial No. 73	1
36	<u>MW51003</u>	Wheel Rim	1
37	<u>MW52003</u>	Tire	1
38	<u>MW10005</u>	Cotter Pin	2
39	<u>MW90001</u>	Outrigger Wheel Service Kit (Bearings, Seal, Dust Cap, Cotter Pin) (<u>MW10002</u> - Bearing Cone) (<u>MW10003</u> - Dust Cap) (<u>MW10004</u> - Seal)	1
40	<u>MW10007</u>	Wheel Hub Assy. (Wheel Hub, Bolts, Bearing Cup & Cone, Dust Cap, Seal)	2
41	<u>MW10006</u>	Nut	2
42	<u>F260800</u>	Wheel Nut - Non Current	8
	<u>F060117</u>	Wheel Bolt - Current (Not Shown)	8
43	<u>M100134</u>	Spacer	2

NOTE

Refer to Section 4 pages 5 & 7 for
Wing and Main Lift Arm Identifier.



**MAIN WHEEL ASSEMBLY,
AND NON CURRENT AXLE
(SPINDLE) ASSEMBLY
SERIAL # 612 TO FEB/07.
SEE 2-19 FOR CURRENT
SPINDLE ASSEMBLY.**



MAIN FRAME, WING FRAMES & TONGUE TUBE

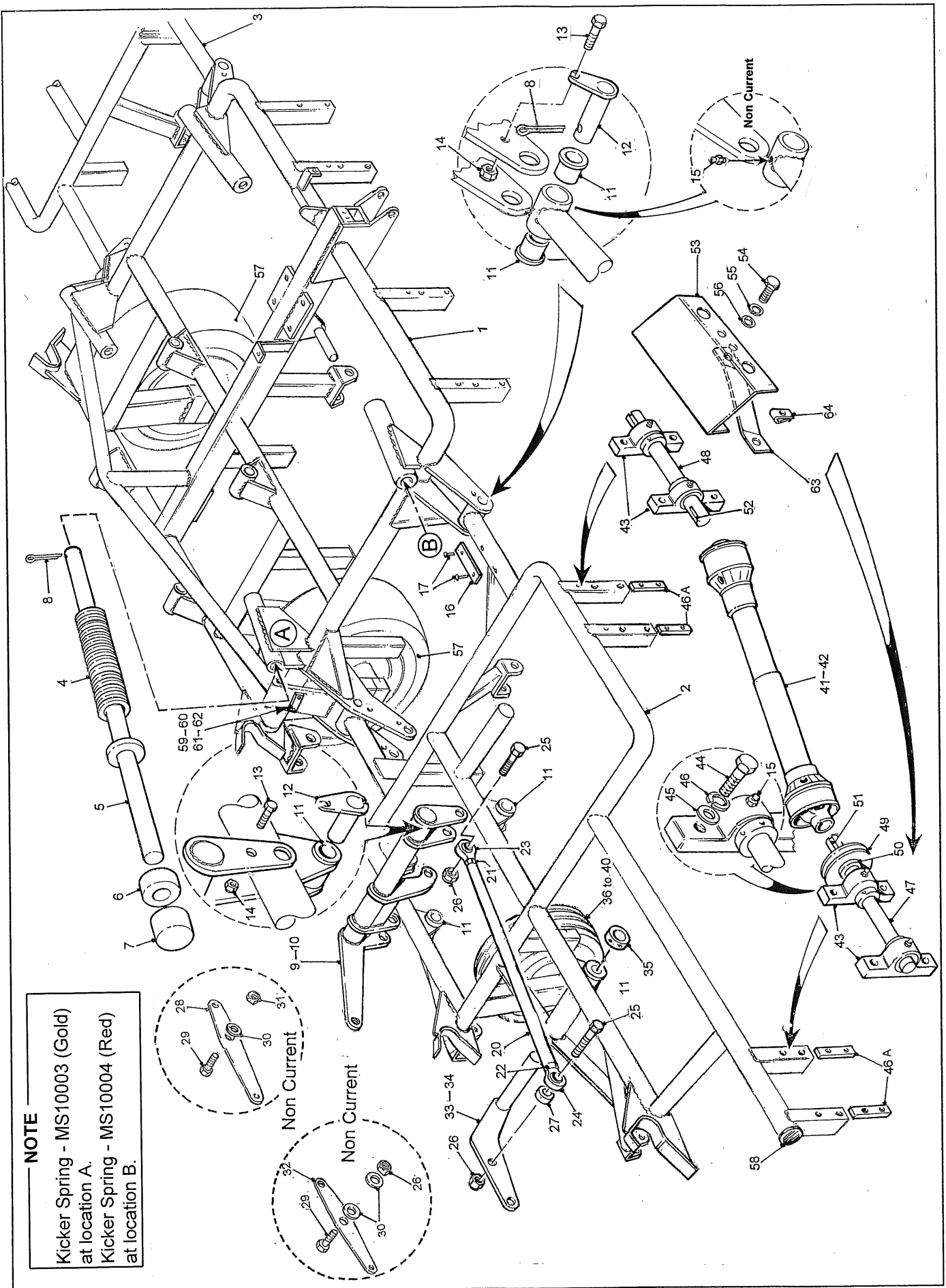
ITEM NO.	PART NO.	DESCRIPTION	QTY
		MAIN FRAME, WING FRAMES, TONGUE TUBE & MAIN WHEEL	
1	<u>M300105</u>	Main Frame 7 & 9 Gang. (See page 2-05 for 11 gang)	1
	<u>M300036</u>	Main Frame 5 Gang	1
2	<u>M300002</u>	Wing Frame LH. 9 Gang (M300037 7 Gang)	1
3	<u>M300003</u>	Wing Frame RH. 9 Gang (M300038 7 Gang)	1
4	<u>M300005</u>	Tongue Tube	1
5	<u>M300024</u>	Tongue Tube. Low Level. Opt	1
6	<u>F041654</u>	Bolt 1 UNC x 5 1/2 GR8	2
7	<u>F211600</u>	Locknut 1 UNC	2
8	<u>M300021</u>	Swivel Hitch	1
9	<u>KM11400</u>	Grease Fitting	1
10	<u>F040814</u>	Bolt 1/2 UNC x 1 1/2	4
11	<u>F230800</u>	Nut 1/2 UNC	4
12	<u>F310800</u>	Lockwasher 1/2	4
13	<u>M300025</u>	Road Hitch Opt.	1
14	<u>MW20001</u>	Ball Hitch Hitch 2 in.	1
15	<u>F040830</u>	Bolt 1/2 UNC x 3 GR8	2
16	<u>F210800</u>	Locknut 1/2 UNC	2
17	<u>MW50003</u>	Tongue Jack	1
18	<u>MD91001</u>	PTO Shaft. 5, 7, 9 & 11-Gang. Bondioli & Pavesi	1
	<u>MD91006</u>	PTO Shaft. 5, 7, 9 & 11-Gang. Walterscheid Special Order Only	1
19	<u>KH65005</u>	Hose Clamp (set), Clamp Plate - KH63005	1
20	<u>F040514</u>	Bolt 5/16 unc x 1 1/2 Gr.8	1
21	<u>KH65108</u>	Hose Clamp (set), Clamp Plate - KH63005	6
22	<u>F040410</u>	Bolt 1/4 unc x 1 Gr.8	6
23	<u>M500061</u>	Main Axle Assembly	1
24	<u>M500078</u>	Hub. Main Wheel	1
25	<u>KB90009</u>	Shaft Seal. Large	1
26	<u>F260800</u>	Wheel Nut (Torque to 90 ft.lb.)	5
27	<u>KB90010</u>	Shaft Seal. Small	1
28	<u>KB23020</u>	Tapered Bearing. Large	1
	<u>MW10011</u>	Bearing Cup. Large	1
29	<u>KB23021</u>	Tapered Bearing. Small	1
	<u>MW10010</u>	Bearing Cup. Small	1
30	<u>F660603</u>	Set Screw 3/8 - 16 unc x 3/8 Soc. Cup Pt.	1
31	<u>M100367</u>	Shaft	1
32	<u>KM11400</u>	Grease Fitting	1
33	<u>M100366</u>	Spacer. Axle	1
34	<u>F232050</u>	Nut 1 1/4 - 20 unf	2
35	<u>F060116</u>	Stud	5
36	<u>M100307</u>	End Cup	1
37	<u>F010406</u>	Bolt 1/4 - 20 unc x 3/4 Gr.8	1
38	<u>F320400</u>	Flatwasher 1/4	1
39	<u>F310400</u>	Lockwasher 1/4	1
40	<u>M100187</u>	Bearing Block - Lower	2
41	<u>F311000</u>	Lockwasher 5/8	4
42	<u>F041030</u>	Bolt 5/8 UNC x 3 GR8	4
43	<u>MW50005</u>	Main Wheel Assembly - 5 , 7 , & 9 Gangs(24/12.00 x 12)	2
44	<u>MW50006</u>	Main Wheel Assembly - 5 Gang Verticut(23/8.50 x 12)	2
45	<u>MW52009</u>	Tire 11 Gang Std. and 9 & 11 Gang Fwy	1
46	<u>MW50009</u>	Main Wheel Assembly-11 Gang Std.& 9 & 11 Gang Fwy. (23/12.50 x 12)	1
47	<u>MW51001</u>	Wheel Rim - 5 , 7 , & 9 Gangs	1
48	<u>MW51009</u>	Wheel Rim 11 Gang Std and 9 & 11 Gang Fwy.	1

NOTE 1
See Page 2-15 for Non Current Axle (Spindle) Assemblies up to Serial No. 611.

NOTE 2
See Page 2-17 for the Non Current Axle (Spindle) Assembly from Feb/07 to 2012.

NOTE 3
Items 25, 27, 28 & 29 are available as Main Wheel Service Kit - MW90003.

NOTE 4
See Page 2-19 for the Current Spindle Assembly Kit.



NOTE
 Kicker Spring - MS10003 (Gold)
 at location A.
 Kicker Spring - MS10004 (Red)
 at location B.

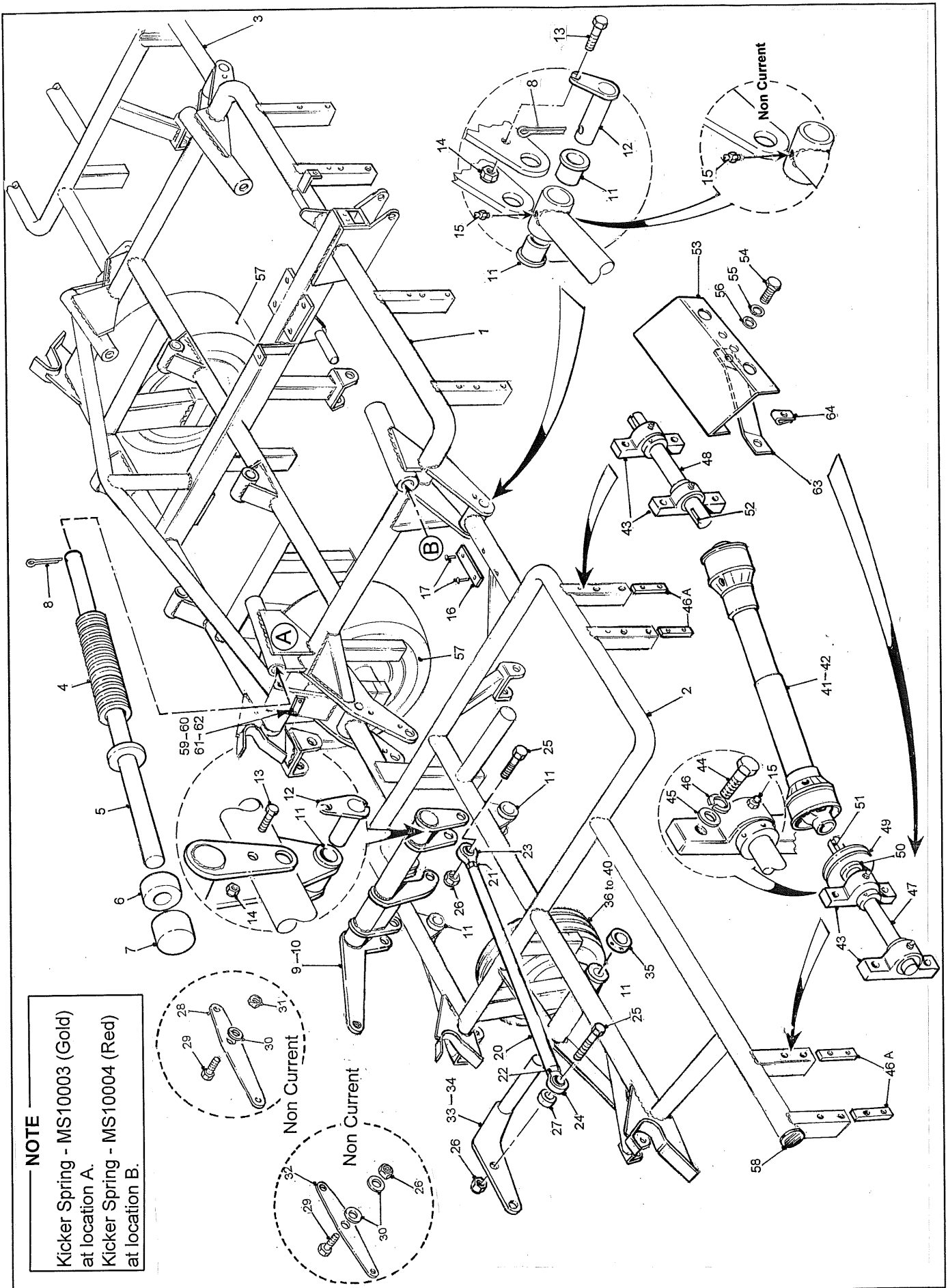
ITEM NO.	PART NO	DESCRIPTION	QTY
11 GANG MOWER MAIN & WING FRAME LIFT ASSY & JACKSHAFTS			
1	<u>M300072</u>	Main Frame 11 gang	1
2	<u>M300076</u>	Wing Frame R.H.	1
	<u>M300114</u>	Wing Frame. Fairway R.H.	1
3	<u>M300075</u>	Wing Frame L.H.	1
	<u>M300113</u>	Wing Frame. Fairway L.H.	1
4	<u>MS10004</u>	Kicker Spring (Red) (See note on illustration)	2
	<u>MS10003</u>	Kicker Spring (Gold)	2
5	<u>M300008</u>	Spring rod	2
6	<u>M100084</u>	Rod Guide	2
7	<u>M100085</u>	Kick Bumper	2
8	<u>F910514</u>	Cotter Pin 5/32 x 1 1/2	6
9	<u>M300014</u>	Lift Arm R.H. Std. 9 & 11 Gang	1
10	<u>M300013</u>	Lift Arm L.H. (not shown) Std. 9 & 11 Gang	1
11	<u>KB11614</u>	Flanged Bushing	12
12	<u>M300010</u>	Pivot Pin	8
13	<u>F010512</u>	Bolt 5/16 UNC x 1 1/4 GR8	8
14	<u>F210500</u>	Locknut 5/16 UNC	8
15	<u>KM11400</u>	Grease Fitting. Non Current up to Serial No. 571	4
16	<u>M100027</u>	Bumper Pad	2
17	<u>F090206</u>	Screw - 10 UNC x 3/4 Self Tap.	4
18	<u>M500012</u>	Lift Cylinder Assy (Not illustrated)	2
19	<u>M500019</u>	Seal Kit - Wing Lift Cylinder	1
20	<u>M100238</u>	Synchronizer Tie Rod	2
21	<u>F231250</u>	Jam Nut 3/4 UNF RH.	2
22	<u>F231260</u>	Jam Nut 3/4 UNF LH.	2
23	<u>CM00121</u>	Tie Rod End RH	2
24	<u>CM00122</u>	Tie Rod End LH	2
25	<u>F041226</u>	Bolt 3/4 UNC x 2 3/4 GR8	4
26	<u>F231000</u>	Locknut 5/8 UNC	4
27	<u>M100041</u>	Spacer - Tie Rod	2
28	<u>M300023</u>	Balance Beam (Inner) Non Current	2
29	<u>F041030</u>	Bolt 5/8 UNC x 3 GR8	4
30	<u>F32100</u>	Washer 5/8 SAE	4
31	<u>F221200</u>	Jam Nut 3/4 UNC	4
32	<u>M300059</u>	Balance Beam (outer) Non Current	2
33	<u>M300061</u>	Lift Arm (outer) RH	1
34	<u>M300060</u>	Lift Arm (outer) LH (Not illustrated)	1
35	<u>M500011</u>	Main Lift Cylinder.	1
36	<u>MW90001</u>	Outrigger Wheel Service Kit (Bearings, Seal, Dust Cap, Cotter Pin)	1
37	<u>MW50004</u>	Outrigger Wheel Assy	2
38	<u>MW51003</u>	Wheel Rim	2
39	<u>MW52003</u>	Tire	2
40	<u>MW53003</u>	Tire Tube - Obsolete	2
41	<u>MD91009</u>	PTO Shaft (Walterscheid)	2
42	<u>MD91005</u>	PTO Shaft (Bondioli)	2
43	<u>MB30001</u>	Pillow Block Bearing	8
44	<u>F040714</u>	Bolt 7/16 UNC x 1 1/2 GR8	16
45	<u>F320700</u>	Washer 7/16	16
46	<u>F310700</u>	Lockwasher 7/16	16
46A	<u>M100159</u>	Nut Bar	12

NOTE

Refer to Section 4 pages 5 & 7 for Wing and Main Lift Arm Identifier.

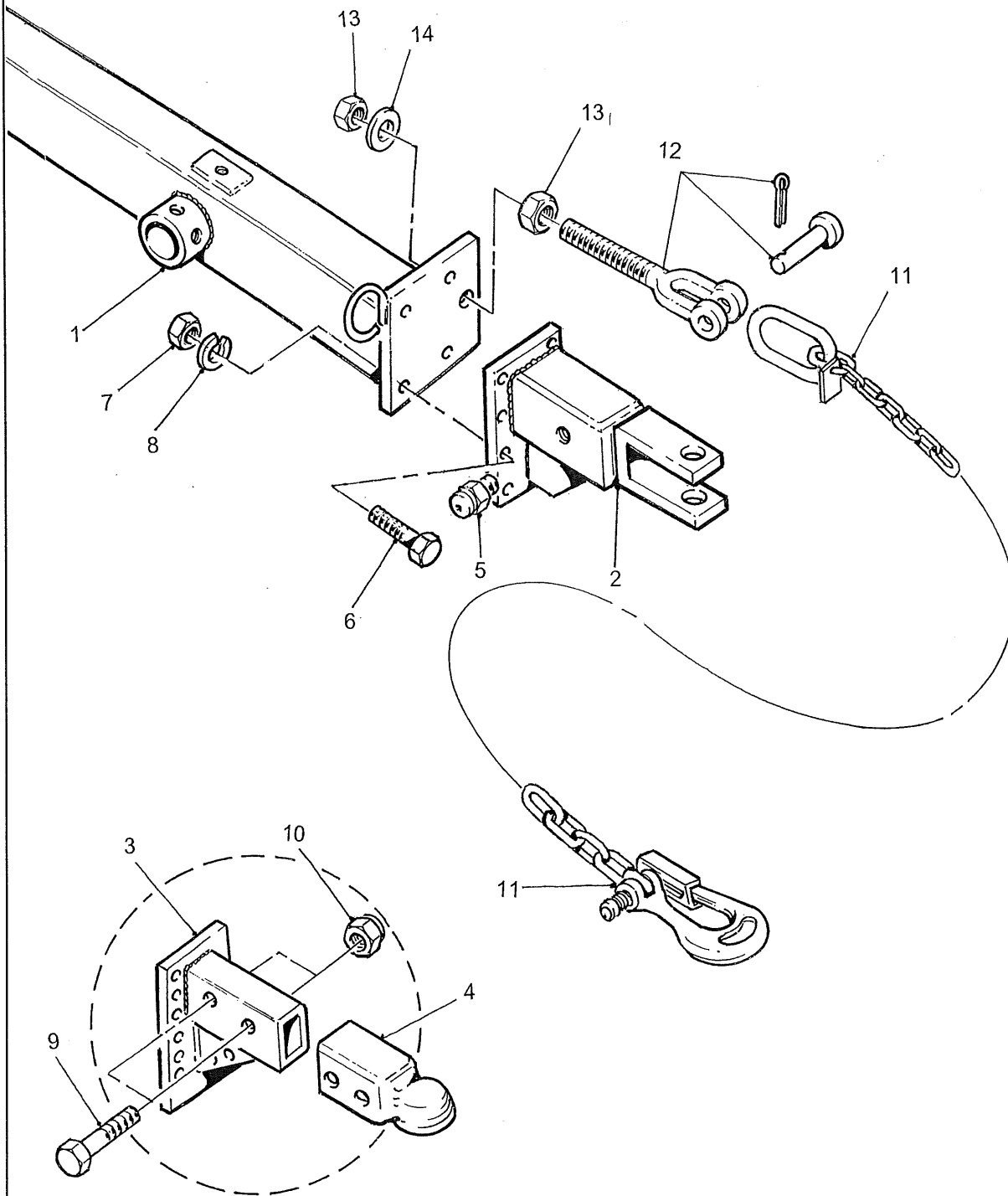
}

See page 2-01



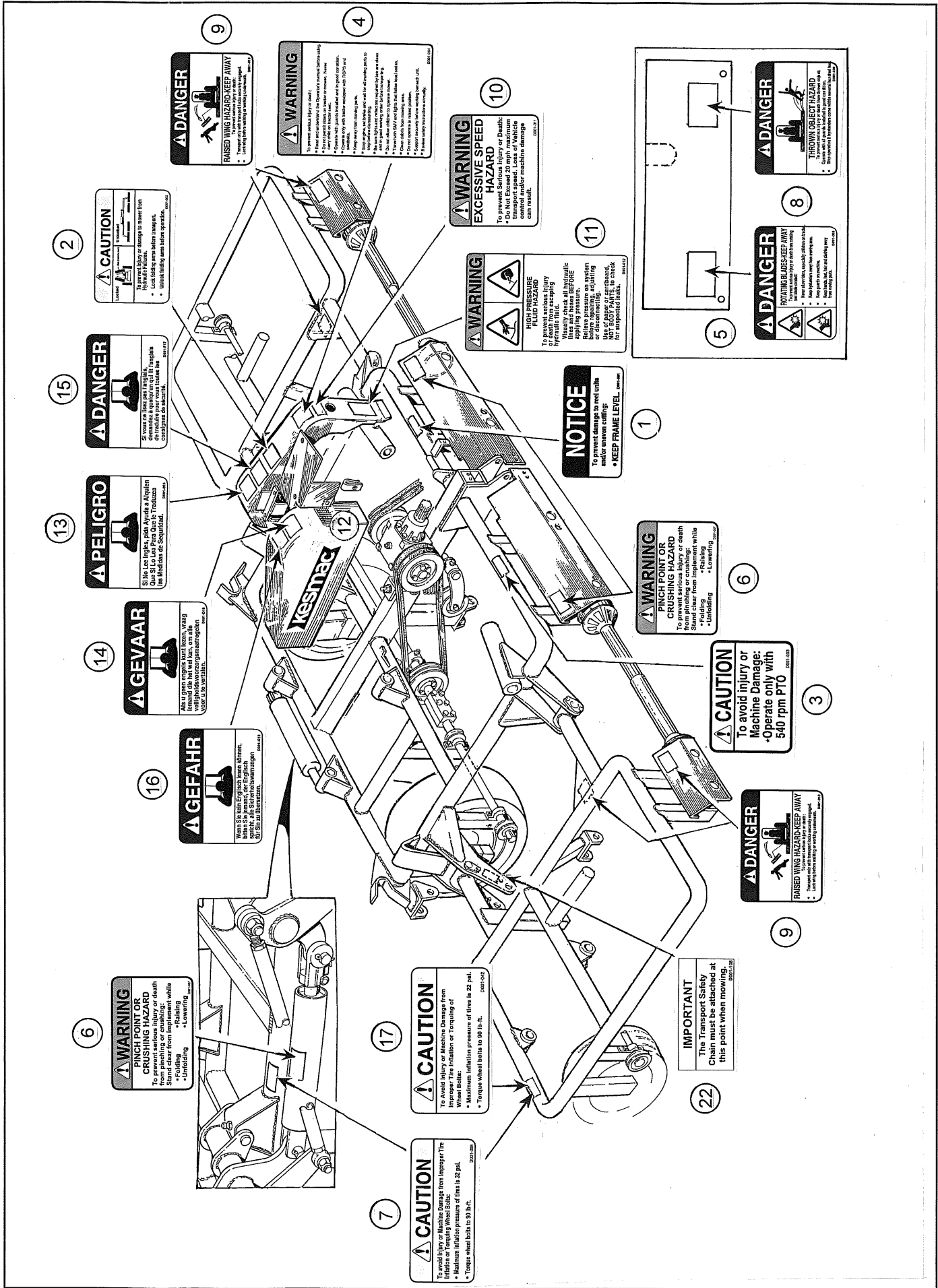
ITEM NO.	PART NO	DESCRIPTION	QTY
11 GANG MOWER MAIN & WING FRAME LIFT ASSY & JACKSHAFTS			
47	<u>M100155</u>	Jackshaft Outer	2
48	<u>M100211</u>	Jackshaft Inner	2
49	<u>MD12044</u>	Reel Pulley	2
50	<u>MD51010</u>	Taper Lock Bushing (c/w Bolts & Lockwashers)	2
51	<u>F924432</u>	Key	2
52	<u>F924414</u>	Key	2
53	<u>M100094</u>	Guard	4
54	<u>F040516</u>	Bolt 5/16 UNC x 3/4 GR8	8
55	<u>F310500</u>	Lockwasher 5/16	8
56	<u>F320500</u>	Flatwasher 5/16	8
57	<u>MW50009</u>	Main Wheel Assy (See Page 2-17)	Ref
58	<u>KM99030</u>	End Cap	2
59	<u>M100141</u>	Bumper Stop	4
60	<u>F040512</u>	Bolt 1/4 UNC x 1 1/4 GR8	4
61	<u>F320400</u>	Washer 1/4	4
62	<u>F210400</u>	Locknut 1/4	4
63	<u>M100235</u>	Mounting Bracket - Guard	4
64	<u>F240500</u>	Clipnut 5/16 UNC	4

TRANSPORT SAFETY CHAIN



NOTE
See Page 2-03 for complete
Tongue Tube Assembly.

ITEM NO.	PART NO.	DESCRIPTION	QTY
TRANSPORT SAFETY CHAIN			
1	<u>M300024</u>	Tongue Tube. Low Level. Std.	1
	<u>M300005</u>	Tongue Tube Opt.	1
2	<u>M300021</u>	Swivel Hitch	1
3	<u>M300025</u>	Road Hitch Opt.	1
4	<u>MW20001</u>	Ball Hitch 2in.	1
5	<u>KM11400</u>	Grease Fitting	1
6	<u>F040814</u>	Bolt 1/2 unc x 1 1/2 Gr.8	4
7	<u>F230800</u>	Nut 1/2 unc	4
8	<u>F310800</u>	Lockwasher 1/2	4
9	<u>F040830</u>	Bolt 1/2 unc x 3 Gr.8	2
10	<u>F210800</u>	Locknut 1/2 unc	2
11	<u>M500070</u>	Mower Transport Safety Chain	1
12	<u>KX08012</u>	Jaw Clevis 3/4 unc c/w pin & split pin	1
13	<u>F231240</u>	Nut 3/4 unc (galvanized)	2
14	<u>F331200</u>	Washer 3/4	1
	<u>M500071</u>	Mower Transport Safety Chain Assembly	1
<div style="border: 1px solid black; padding: 10px; width: fit-content; margin: 0 auto;"> <p>NOTE</p> <p>Mower Transport Safety Chain Assembly includes: Item 11 - <u>M500070</u> Mower Transport Safety Chain Item 12 - <u>KX08012</u> Jaw Clevis 3/4 unc Item 13 - <u>F231240</u> Nut 3/4 unc Item 14 - <u>F331200</u> Washer 3/4</p> </div>			



CAUTION
To prevent injury or death from
Hydraulic failure or damage to owner from
Locking arms before transport.
• Always lock arms before operation.

DANGER
Si vous ne laissez pas refroidir,
démontez le cylindre ou qu'il se déplace
dans le moteur.
• Ne touchez pas le cylindre ou le
moteur avant qu'il ne se soit refroidi.

PELIGRO
Si No Los Dejes enfriar, el cilindro
se moverá o se desplazará de su posición
dentro del motor.
• No toques el cilindro o el motor
antes de que se hayan enfriado.

GEVAAR
Als u geen tijd laat voor het afkoelen,
kan de cilinder of de motor van de motor
verplaatsen of uit hun plaats komen.
• Raak de cilinder of de motor niet aan
voordat ze afgekoeld zijn.

GEFAHR
Wenn Sie nicht genügend warten lassen,
kann sich der Zylinder oder die Motor
verschieben oder aus der Motor
herausfallen.
• Berühre den Zylinder oder die Motor
nicht, bevor sie abgekühlt sind.

WARNING
**PINCH POINT OR
CRUSHING HAZARD**
To prevent serious injury or death
from pinching or crushing:
• Folding
• Unfolding
• Raising
• Lowering

CAUTION
To avoid injury or Machine Damage from
Improper tire inflation or torquing of
nuts or bolts.
• Maximum inflation pressure of tires is 22 psi.
• Torque wheel bolts to 90 lb-ft.

DANGER
RAISED WING HAZARD-KEEP AWAY
To prevent injury or death from
Transport with transport wings raised.
• Always lock wings before operation.

WARNING
To prevent injury or death from
Excessive speed or loss of control:
• Do Not Exceed 20 mph maximum
travel speed.
• Do Not Exceed 20 mph maximum
travel speed when operating on
uneven terrain.
• Do Not Exceed 20 mph maximum
travel speed when operating on
uneven terrain.
• Do Not Exceed 20 mph maximum
travel speed when operating on
uneven terrain.

WARNING
**EXCESSIVE SPEED
HAZARD**
To prevent Serious Injury or Death:
• Do Not Exceed 20 mph maximum
travel speed.
• Do Not Exceed 20 mph maximum
travel speed when operating on
uneven terrain.
• Do Not Exceed 20 mph maximum
travel speed when operating on
uneven terrain.

WARNING
HIGH PRESSURE
To prevent serious injury
or death from escaping
hydraulic fluid:
• Visually check all hydraulic
lines and hoses BEFORE
operation.
• Relieve pressure on system
before disconnecting, adjusting
or disconnecting.
• Use of paper or cardboard,
or other material to check
for suspected leaks.

NOTICE
To prevent damage to reel units
and/or frame cutting:
• KEEP FRAME LEVEL.

WARNING
**PINCH POINT OR
CRUSHING HAZARD**
To prevent serious injury or death
from pinching or crushing while
Stand clear from impalement while
• Folding
• Unfolding
• Raising
• Lowering

CAUTION
To avoid injury or Machine Damage from
Improper tire inflation or torquing of
nuts or bolts.
• Maximum inflation pressure of tires is 22 psi.
• Torque wheel bolts to 90 lb-ft.

CAUTION
To avoid injury or Machine Damage from
Improper tire
inflation or torquing of nuts or bolts.
• Maximum inflation pressure of tires is 22 psi.
• Torque wheel bolts to 90 lb-ft.

DANGER
PROTECT GLASSES-KEEP AWAY
To prevent injury or death from
Flying debris:
• Wear eye protection, including safety
goggles.
• Do not operate the machine with
damaged or missing eye protection.
• Do not operate the machine with
damaged or missing eye protection.

DANGER
THROWN OBJECT HAZARD
To prevent injury or death from
Flying debris:
• Do not operate the machine with
damaged or missing eye protection.
• Do not operate the machine with
damaged or missing eye protection.

IMPORTANT
The Transport Safety
Chain must be attached at
this point when mowing.

IMPORTANT
The Transport Safety
Chain must be attached at
this point when mowing.

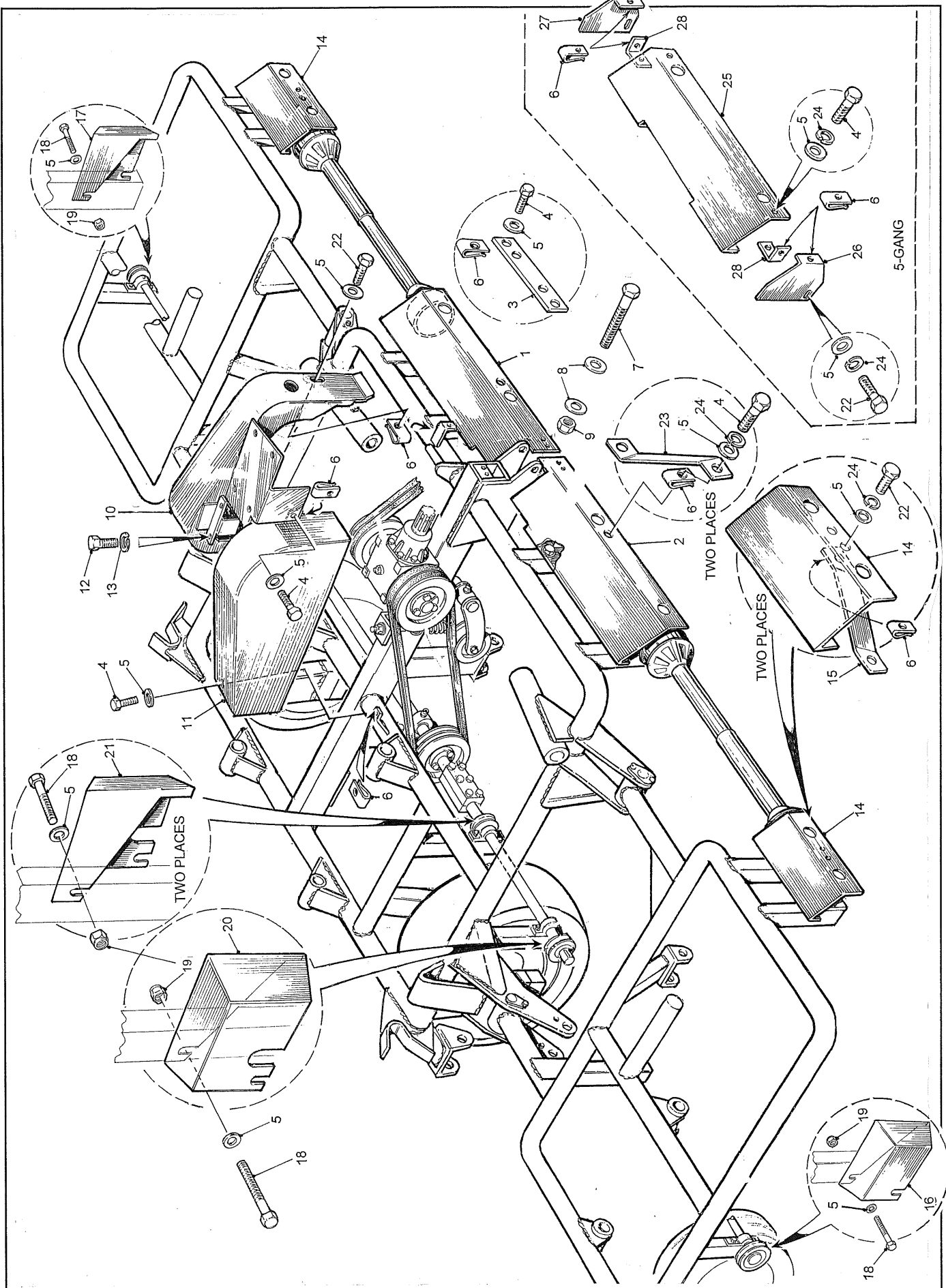
IMPORTANT
The Transport Safety
Chain must be attached at
this point when mowing.

IMPORTANT
The Transport Safety
Chain must be attached at
this point when mowing.

IMPORTANT
The Transport Safety
Chain must be attached at
this point when mowing.

IMPORTANT
The Transport Safety
Chain must be attached at
this point when mowing.

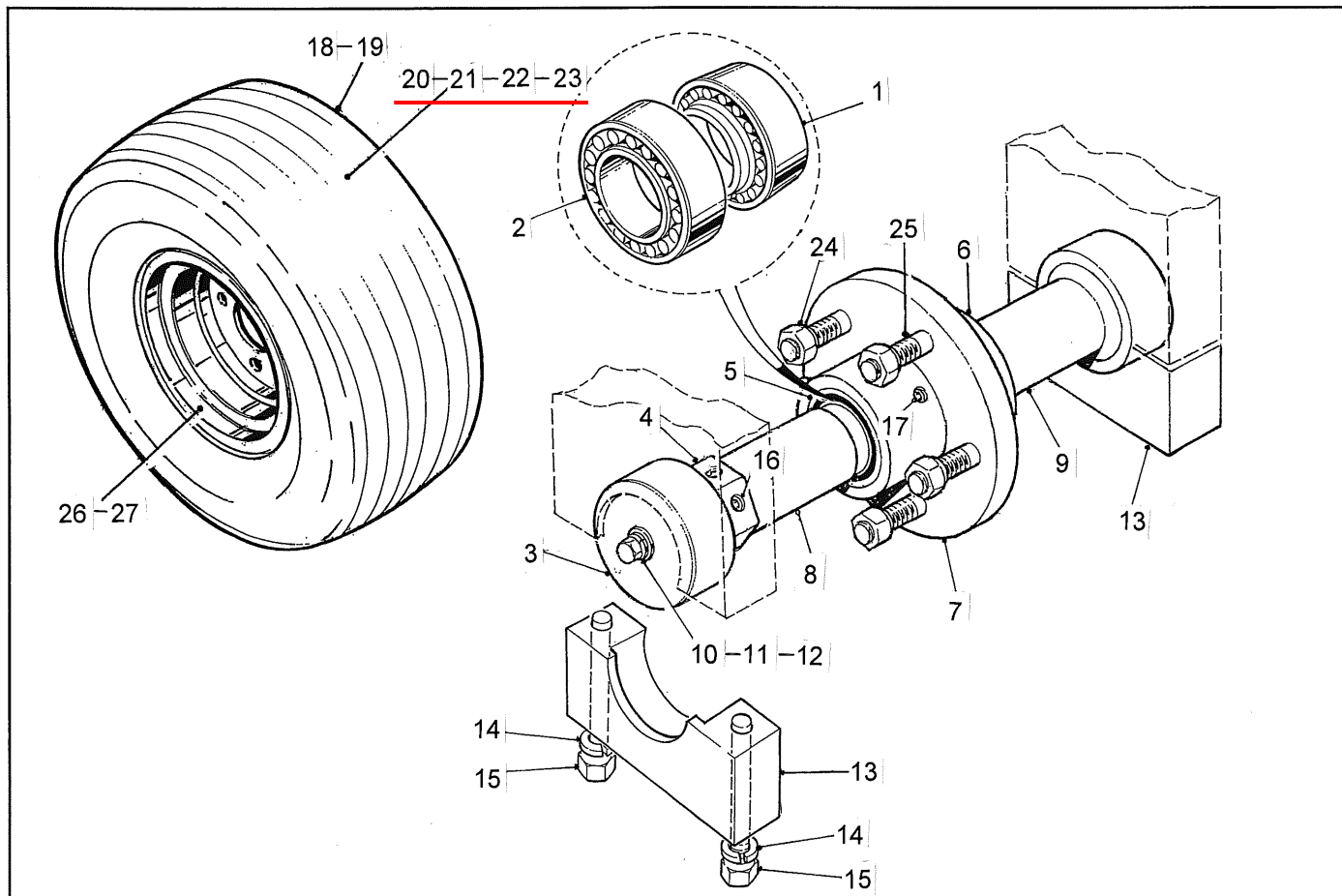
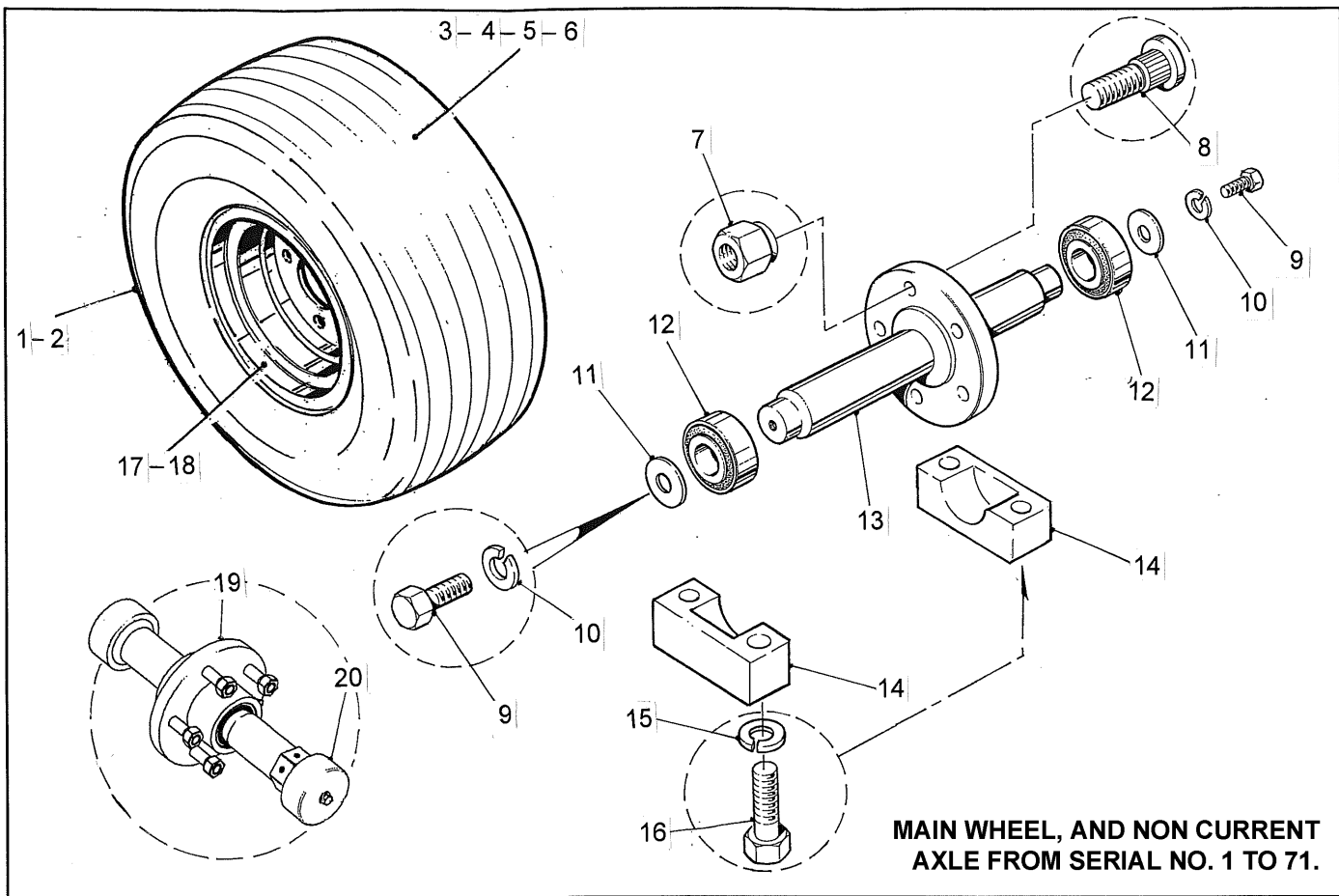
ITEM NO.	PART NO	DESCRIPTION	QTY
SAFETY/OPERATING DECALS			
1	<u>D001-001</u>	Decal - "Notice. Keep Frame Level"	1
2	<u>D001-002</u>	Decal - "Caution. Folding"	1
3	<u>D001-003</u>	Decal - "Caution. 540 PTO"	1
4	<u>D001-004</u>	Decal - "Warning. Serious Injury Or Death"	1
5	<u>D001-005</u>	Decal - "Danger. Rotating Blades"	11
6	<u>D001-007</u>	Decal - "Warning. Pinch Point"	1
7	<u>D001-008</u>	Decal - "Caution. Tire Pressure"	1
8	<u>D001-009</u>	Decal - "Danger. Thrown Object"	11
9	<u>D001-010</u>	Decal - "Danger. Raised Wing"	1
10	<u>D001-011</u>	Decal - "Warning. Excessive Speed"	1
11	<u>D001-012</u>	Decal - "Warning. High Pressure Fluid"	1
12	<u>D001-014</u>	Decal - "Kesmac" (12 In.)	2
13	<u>D001-S15</u>	Decal - "Peligro" (Spanish)	1
14	<u>D001-D16</u>	Decal - "Danger" (Dutch)	1
15	<u>D001-F17</u>	Decal - "Danger" (French)	1
16	<u>D001-G18</u>	Decal - "Danger" (German)	1
17	<u>D001-042</u>	Decal - "Caution. Tire Pressure 22 PSI" (See Note)	2
18	<u>D001-043</u>	ORANGE REFLECTOR (Not Shown)	2
19	<u>D001-030</u>	RED REFLECTOR (Not Shown)	4
20	<u>D001-035</u>	Decal - "Made In Canada" (Not Shown)	1
21	<u>D001-013</u>	Decal - "Kesmac" (6 In.) (Not Shown)	4
22	<u>D001-108</u>	Decal - "Important. Transport Safety Chain"	2
	<u>D002-001</u>	Decal Kit Containing All Of The Above	
	<u>D002-005</u>	Decal Kit. PTO Shafts	
NOTE			
	A) <u>D001-042</u>	Tire pressure decal is used on 5 7 & 9 Gang Mowers	
	B) <u>D001-008</u>	Tire pressure decal is used on 11- Gang mowers	
	C) <u>D001-005</u>	Rotating Blades Decal quantity shown is for 11-Gang mowers adjust according to number of reels	
	D) <u>D001-009</u>	Thrown Object Decal quantity shown is for 11-Gang Mower. adjust according to number of reels	



ITEM NO.	PART NO	DESCRIPTION	QTY
REEL DRIVE GUARDS, 5, 7 & 9 GANG (See Page 5 also for 11- Gang)			
1	<u>M100091</u>	Guard. Front. Left Shaft	1
2	<u>M100092</u>	Guard. Front. Right Shaft	1
3	<u>M100093</u>	Splice Bar	1
4	<u>F040506</u>	Bolt 5/16 UNC x 3/4 GR8	8
5	<u>F320500</u>	Flatwasher 5/16	21
6	<u>F240500</u>	Clip Nut 5/16 UNC	13
7	<u>F040640</u>	Bolt 3/8 UNC x 4 GR8	8
8	<u>F320600</u>	Flatwasher 3/8	16
9	<u>F210600</u>	Locknut 3/8 UNC	16
10	<u>M300015</u>	Guard. Left Drive Belts	1
11	<u>M300016</u>	Guard. Right Drive Belts	1
12	<u>F040806</u>	Bolt 1/2 UNC x 3/4 GR8	2
13	<u>F310800</u>	Lockwasher 1/2	2
14	<u>M100094</u>	Guard. Wing Shaft	2
15	<u>M100249</u>	Guard Support Bracket	2
16	<u>M300067</u>	Guard. Wing Shaft. Outer. RH	1
17	<u>M300065</u>	Guard. Wing Shaft. Outer. LH	1
18	<u>F040522</u>	Bolt 5/16 UNC x 2 1/4 GR8	8
19	<u>F210500</u>	Locknut 5/16 UNC	5
20	<u>M300066</u>	Guard. Reel Pulley. Inner RH	1
21	<u>M300064</u>	Guard. Reel Pulley. Inner LH	2
22	<u>F040510</u>	Bolt 5/16 UNC x 1 GR8	1
23	<u>M100235</u>	Guard Support Bracket	2
24	<u>F310500</u>	Lockwasher 5/16	4
25	<u>M100135</u>	Guard. Front Jackshaft. 5-Gang	1
26	<u>M100233</u>	End Plate. RH Front Jackshaft Guard. 5-Gang	1
27	<u>M100232</u>	End Plate. LH. Front Jackshaft Guard. 5-Gang	1
28	<u>M100234</u>	Clip. Guard Mounting	2

NOTE

Refer to Section 8, Page 5 for special order Reel Drive Guards (5, 7, 9, 11 Gang).



ITEM NO.	PART NO.	DESCRIPTION	QTY
MAIN WHEEL, and Non Current AXLE ASSEMBLY from Serial No. 1 to 71			
1	<u>MW52001</u>	Tire (with Tube - MW53001 special order)	1
2	<u>MW52009</u>	Tire . 11 Gang Standard and 9 & 11 Gang Fairway	1
3	<u>MW50009</u>	Main Wheel Assembly - 11 Gang Std. & 9 & 11 Gang Fwy. (23/12.5x12)	1
4	<u>MW50001</u>	Main Wheel Assembly-11 Gang Std.(23/10.50 x 12)	2
5	<u>MW50005</u>	Main Wheel Assembly - 5 , 7, & 9 Gangs(24/12.00 x 12)	2
6	<u>MW50006</u>	Main Wheel Assembly - 5 Gang Verticut(23/8.50 x 12)	2
7	<u>F260800</u>	Wheel Nut. (Torque to 90 ft. lb.)	5
8	<u>F060116</u>	Wheel Stud	5
9	<u>F010406</u>	Bolt. 1/4 UNC x 3/4 GR8 (Torque to 76 in. lb)	2
10	<u>F310400</u>	Lockwasher 1/4	2
11	<u>F320400</u>	Flatwasher 1/4	2
12	<u>MB40003</u>	Bearing 25mm ID X 62 mm OD X 25.4 mm LG	2
	<u>GB40004</u>	Bearing 30 mm ID X 72 mm OD X 30 mm LG	2
13	<u>P300005</u>	Axle	1
14	<u>P100017</u>	Bearing Block. Lower	2
15	<u>F311000</u>	Lockwasher 5/8	4
16	<u>F041030</u>	Bolt 5/8 UNC x 3 GR8	4
17	<u>MW51001</u>	Wheel Rim - 5 , 7, & 9 Gangs	1
18	<u>MW51009</u>	Wheel Rim 11 Gang Std and 9 & 11 Gang Fwy.	1
19	<u>M500063</u>	Main Axle Assembly - Retrofit	1
20	<u>M100316</u>	End Cup. Axle - Retrofit	2
MAIN WHEEL, and Non Current AXLE ASSEMBLY from Serial No. 72 to 611			
1	<u>KB23021</u>	Tapered Bearing. Small	1
	<u>MW10010</u>	Bearing Cup. Small	1
2	<u>KB23020</u>	Tapered Bearing. Large	1
	<u>MW10011</u>	Bearing Cup. Large	1
3	<u>M100307</u>	End Cup	1
4	<u>M100310</u>	Nut - Main Wheel Axle	1
5	<u>KB90009</u>	Shaft Seal. Large	1
6	<u>KB90010</u>	Shaft Seal. Small	1
7	<u>M500078</u>	Hub. Main Axle	1
8	<u>M100309</u>	Spacer. Main Wheel Axle	1
9	<u>M100306</u>	Shaft	1
	<u>M500061</u>	Main Axle Assembly	1
10	<u>F320400</u>	Flatwasher 1/4	2
11	<u>F310400</u>	Lockwasher 1/4	2
12	<u>F010406</u>	Bolt. 1/4 UNC x 3/4 GR8 (Torque to 76 in. lb)	2
13	<u>M100187</u>	Bearing Block - Lower	2
14	<u>F311000</u>	Lockwasher 5/8	4
15	<u>F041030</u>	Bolt 5/8 UNC x 3 GR8	4
16	<u>F140403</u>	Set Screw - 1/4in unc cup point 20	6
17	<u>F720402</u>	Set Screw - 1/4in unc cup point 28	6
18	<u>MW52001</u>	Tire (with Tube - MW53001 special order)	1
19	<u>MW52009</u>	Tire . 11 Gang Standard and 9 & 11 Gang Fairway	1
20	<u>MW50009</u>	Main Wheel Assembly - 11 Gang Std. & 9 & 11 Gang Fwy. (23/12.5x12)	1
21	<u>MW50001</u>	Main Wheel Assembly-11 Gang Std.(23/10.50 x 12)	2
22	<u>MW50005</u>	Main Wheel Assembly - 5 , 7, & 9 Gangs(24/12.00 x 12)	2
23	<u>MW50006</u>	Main Wheel Assembly - 5 Gang Verticut(23/8.50 x 12)	2
24	<u>F260800</u>	Wheel Nut. (Torque to 90 ft. lb.)	5
25	<u>F060116</u>	Wheel Stud	5
26	<u>MW51001</u>	Wheel Rim - 5 , 7, & 9 Gangs	1
27	<u>MW51009</u>	Wheel Rim 11 Gang Std and 9 & 11 Gang Fwy.	1

NOTE 1
See Page 2-03 for the Non Current Axle Assembly from Serial No. 612 to Jan/07.

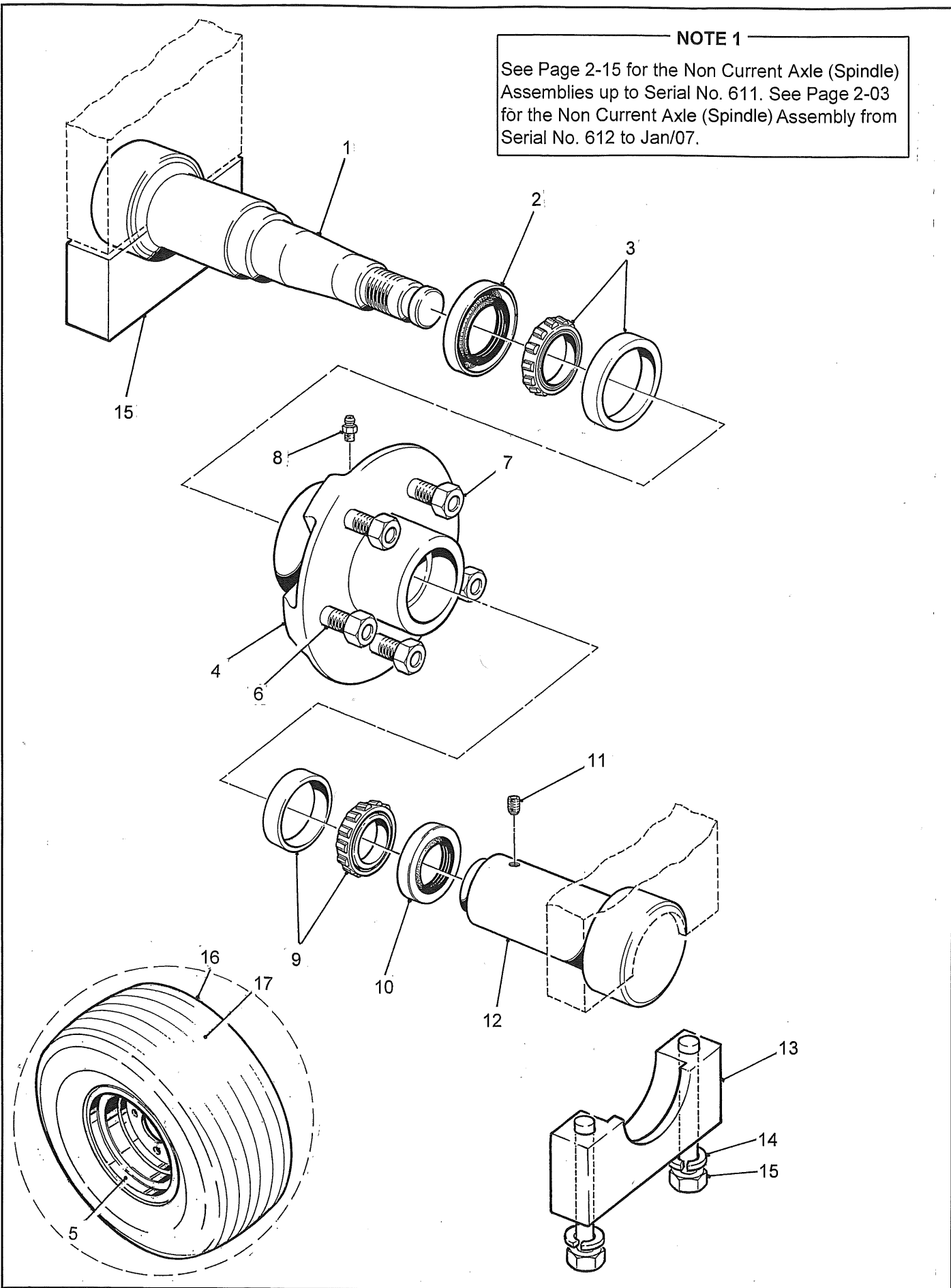
NOTE 2
Items 1, 2, 5 & 6 are available as Main Wheel Service Kit - MW90003.

NOTE 3
See Page 2- 17 for the Non Current Axle (Spindle) Assembly from Feb/07 to 2012.

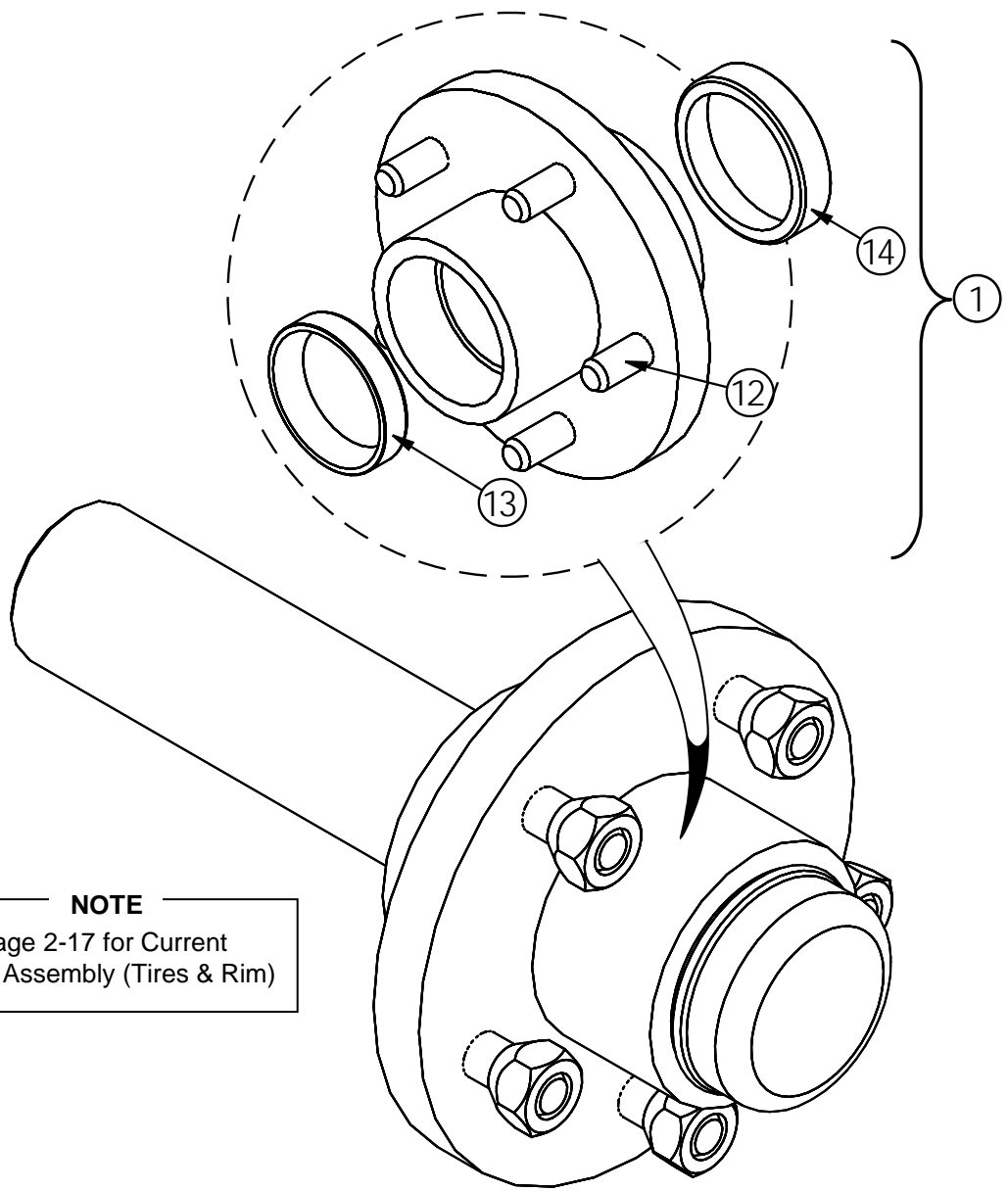
NOTE 4
See Page 2- 19 for Current Spindle Assembly Kit.

NOTE 1

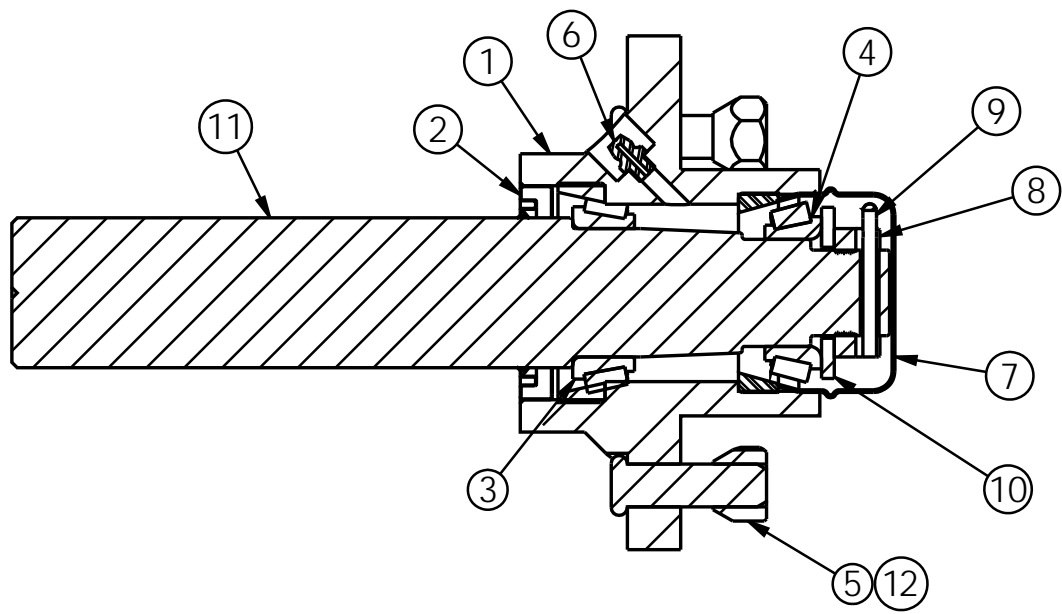
See Page 2-15 for the Non Current Axle (Spindle) Assemblies up to Serial No. 611. See Page 2-03 for the Non Current Axle (Spindle) Assembly from Serial No. 612 to Jan/07.



ITEM NO.	PART NO.	DESCRIPTION	QTY
MAIN WHEEL ASSEMBLY, AND NON CURRENT AXLE FEB/07 TO 2012			
	<u>M500084</u>	Main Axle Assembly	1
1	<u>M100410</u>	Stub Axle	1
2	<u>KB90009</u>	Seal. Large	1
3	<u>KB23001</u>	Tapered Bearing Large (Cone and Cup)	1
	<u>KB23002</u>	Tapered Bearing Large (Cone only)	1
4	<u>M500085</u>	Main Axle Hub Assembly	1
5	<u>MW51009</u>	Wheel Rim	1
6	<u>F060116</u>	Wheel Stud	5
7	<u>F260800</u>	Wheel Nut (Torque to 90 ft.lb.)	5
8	<u>KM11400</u>	Grease Fitting	1
9	<u>KB23004</u>	Tapered Bearing Small (Cone and Cup)	1
	<u>KB23005</u>	Tapered Bearing Small (Cone only)	1
10	<u>KB90013</u>	Seal. Small	1
11	<u>F140503</u>	Set Screw. 5/16 -18 unc x 3/8 Cup Pt.	1
12	<u>M100411</u>	Outer Axle	1
13	<u>M100187</u>	Bearing Block - Lower	2
14	<u>F311000</u>	Lockwasher 5/8	4
15	<u>F041030</u>	Bolt 5/8 unc x 3 Gr.8	4
16	<u>MW50009</u>	Main Wheel Assembly	2
17	<u>MW52009</u>	Tire	2
NOTE 1 Service Kit - M500086 is available for Main Axle Assembly - M500084.			
NOTE 2 See Page 2-15 for the Non Current Axle up to Serial No. 611. See Page 2-03 for the Non Current Axle from Serial No. 612 to Jan/07.			
NOTE 3 All Wheel Assemblies, Tires and Rims listed are Current. See Page 2-19 for Current Axle Spindle Assembly.			



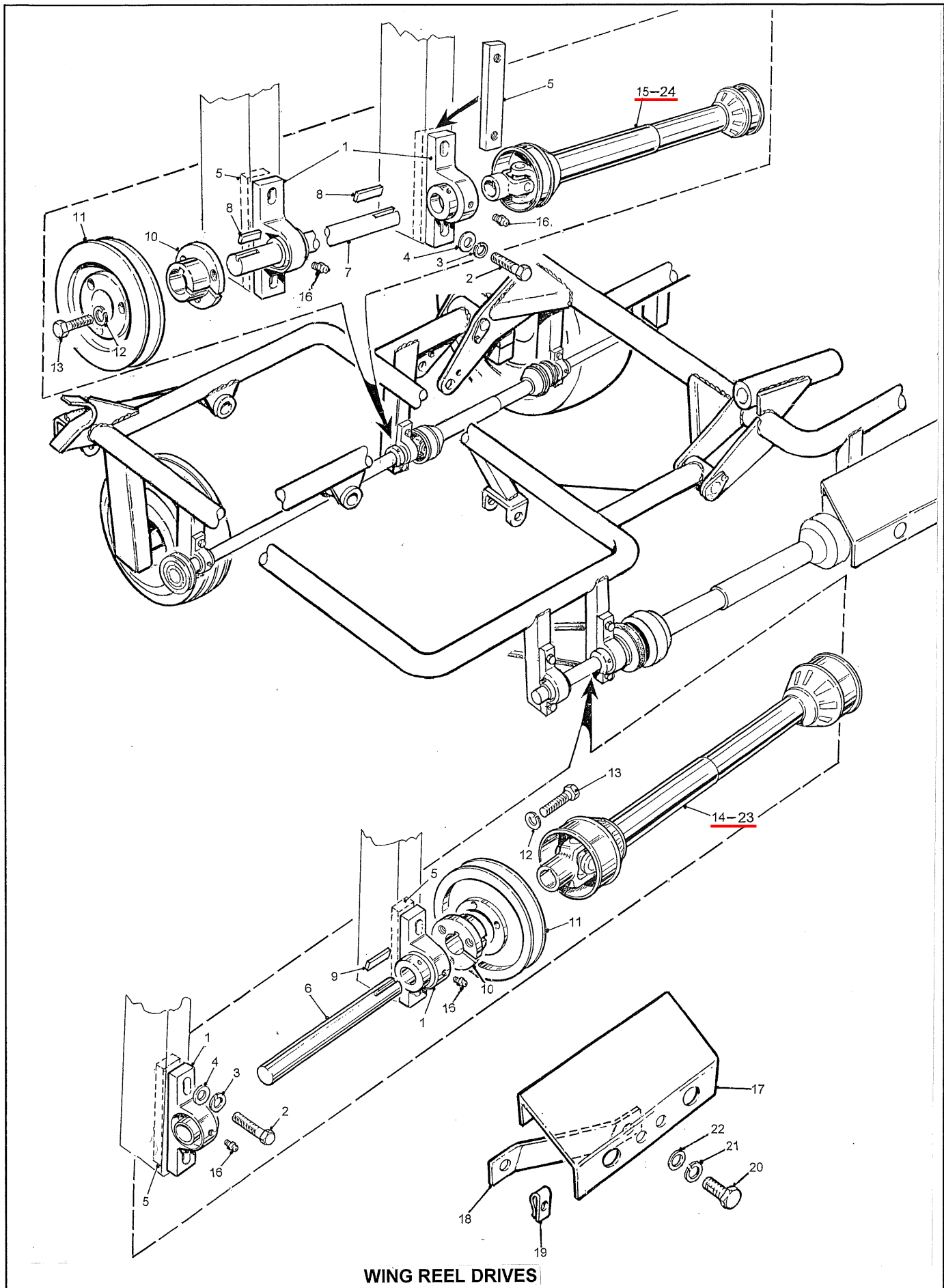
NOTE
 See Page 2-17 for Current
 Wheel Assembly (Tires & Rim)



ITEM NO.	PART NO.	DESCRIPTION	QTY
SPINDLE ASSEMBLY CURRENT FROM 2012 AND UP			
1	<u>M500078</u>	MAIN WHEEL HUB - (INCLUDES ITEMS 12,13 & 14)	1
2	<u>KB90009</u>	SHAFT SEAL - LARGE	1
3	<u>KB23020</u>	TAPERED ROLLER BEARING - LARGE	1
4	<u>KB23021</u>	TAPERED ROLLER BEARING - SMALL	1
5	<u>F260800</u>	WHEEL NUT 1/2 -20 UNF	5
6	<u>KM11400</u>	STRAIGHT GREASE FITTING	1
7	<u>KX20038</u>	DUST CAP	1
8	<u>KX20032</u>	NUT - SLOTTED 1.00 JAM	1
9	<u>F910514</u>	COTTER PIN - 5/32 x 1.50	1
10	<u>F331600</u>	FLAT WASHER - 1.00 SAE	1
11	<u>GR10579</u>	SPINDLE - (WELDED TO MAIN FRAME)	1
12	<u>F060116</u>	STUD - 1/2 IN. WHEEL STUD	5
13	<u>MW10010</u>	MAIN WHEEL CUP - SMALL	1
14	<u>MW10011</u>	MAIN WHEEL CUP - LARGE	1
<div style="border: 1px solid black; padding: 5px; width: fit-content; margin: 0 auto;"> <p>NOTE 1 Items 1-11 are available as Spindle Assembly Kit: <u>GR50580</u></p> </div>			

SECTION 3 - DRIVE

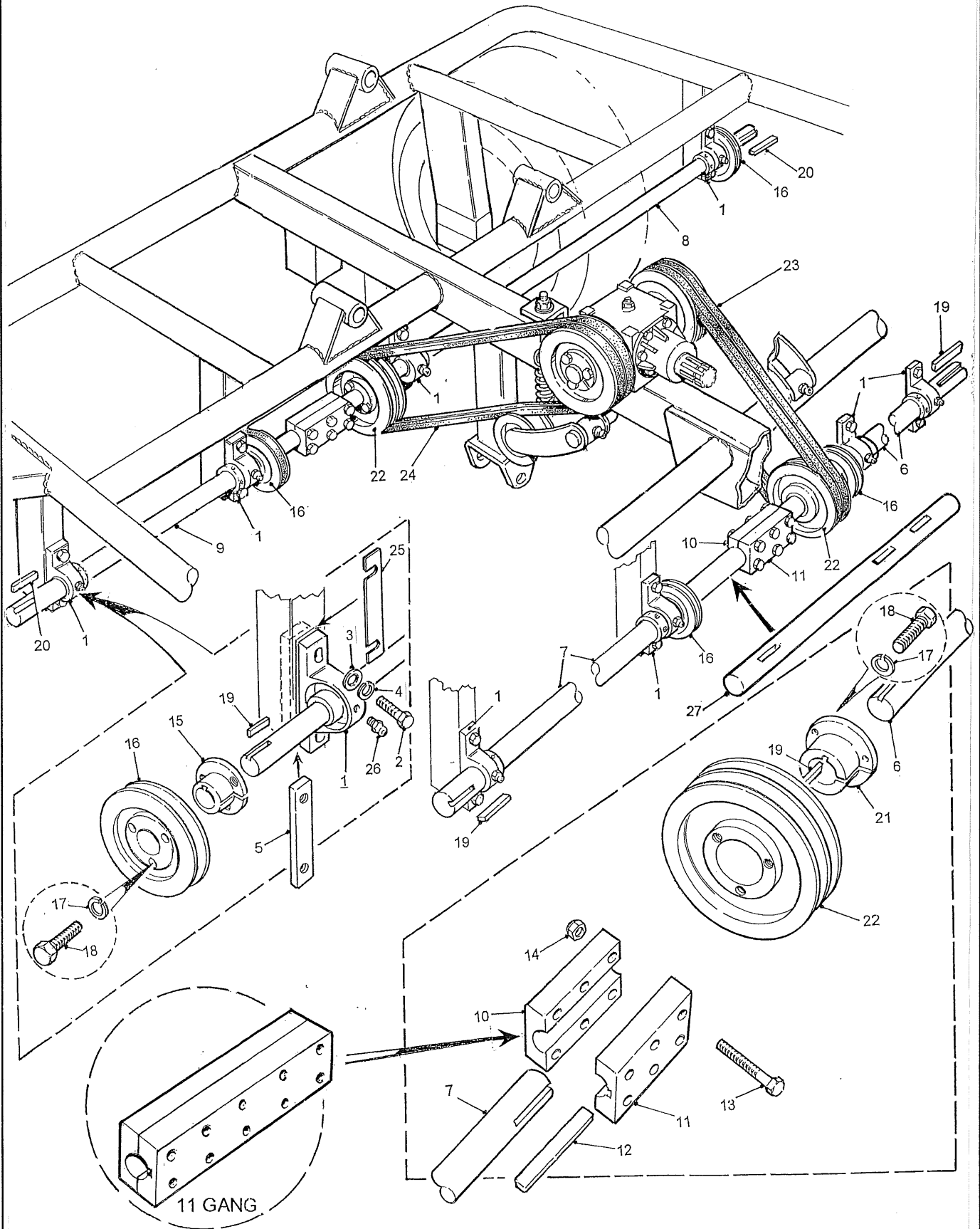
Wing Reel Drives	3-01
Main Reel (Front/Rear Jackshafts) Drive Assembly	3-03
Mainframe, Gearbox, Idlers & Guards	3-05
P.T.O. Shafts & Jackshafts (See Appendix for Distributor Parts/Service)	3-07



WING REEL DRIVES

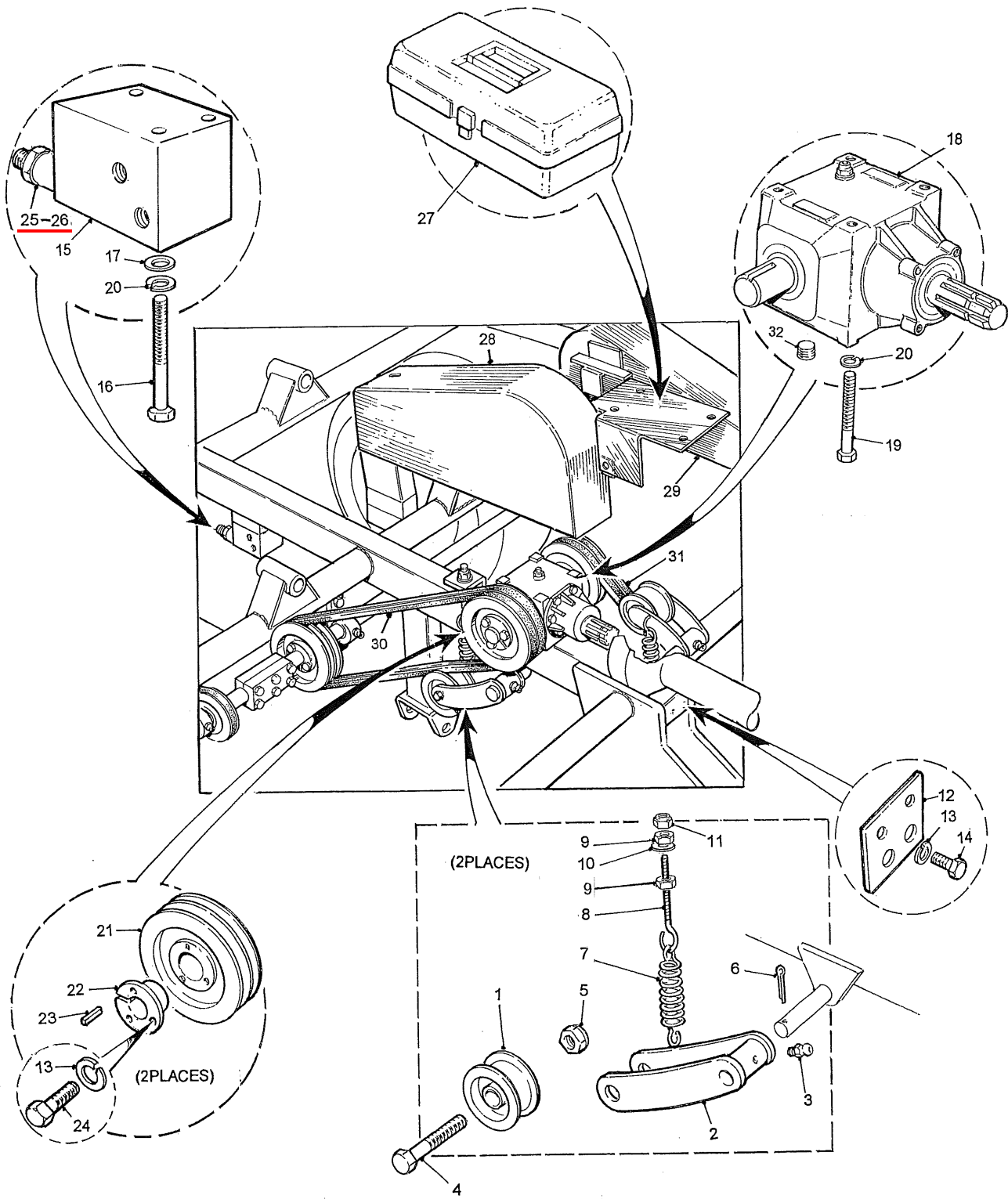
ITEM NO.	PART NO	DESCRIPTION	QTY
WING REEL DRIVES. R H. ILLUSTRATED (LH OPPOSITE)			
1	<u>MB30001</u>	Pillow Block Bearing	4
2	<u>F040714</u>	Bolt 7/16 UNC x 1 1/2 GR8	8
3	<u>F310700</u>	Lockwasher 7/16	8
4	<u>F320700</u>	Washer 7/16	8
5	<u>M100159</u>	Nut Bar	4
6	<u>M100155</u>	Reel Drive Jackshaft - Front	1
7	<u>M100156</u>	Reel Drive Jackshaft - Rear	1
8	<u>F924414</u>	Key	2
9	<u>F924432</u>	Key	1
10	<u>MD51010</u>	Taper Lock Bushing (Includes items 12 & 13)	2
11	<u>MD12044</u>	Reel Drive Pulley	2
12	-----	Lockwasher 1/4	6
13	-----	Bolt. Full Thread 1/4 UNC x 1 1/4	6
14	<u>MD91002</u>	PTO Shaft. Front. Bondioli & Pavesi	2
15	<u>MD91003</u>	PTO Shaft. Rear. Bondioli & Pavesi	2
16	<u>KM11400</u>	Grease Fitting	4
17	<u>M100094</u>	Guard	1
18	<u>M100235</u>	Mounting Bracket. Guard	1
19	<u>F240500</u>	Clipnut 5/16 UNC	1
20	<u>F010506</u>	Bolt 5/16 UNC x 3/4 GR8 F040516	1
21	<u>F310500</u>	Lockwasher 5/16	1
22	<u>F320500</u>	Flatwasher 5/16	1
23	<u>MD91007</u>	PTO Shaft. Walterscheid. Wing Front	2
24	<u>MD91008</u>	PTO Shaft. Walterscheid. Wing Rear	2
NOTE			
Refer to the Operator/Maintenance manual for correct procedure for set up of shaft ends for PTO Shafts			

MAIN REEL (FRONT/REAR JACKSHAFTS) DRIVE ASSEMBLY



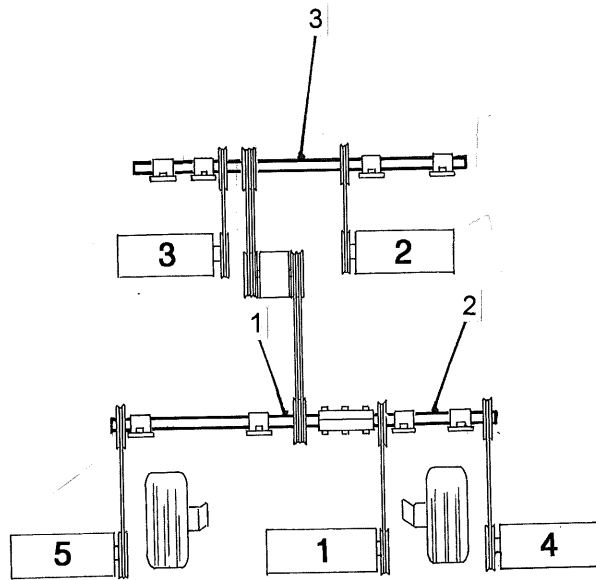
ITEM NO.	PART NO	DESCRIPTION	QTY
MAIN REEL (FRONT/REAR JACKSHAFT) DRIVE ASSY			
1	<u>MB30001</u>	Pillow Block Bearing	8
2	<u>F040714</u>	Bolt 7/16 UNC x 1 1/2 GR8	16
3	<u>F320700</u>	Flatwasher 7/16	16
4	<u>F310700</u>	Lockwasher 7/16	16
5	<u>M100159</u>	Nut Bar	8
6	<u>M100151</u>	Main Front Left Jack Shaft	1
7	<u>M100152</u>	Main Front Right Jack Shaft	1
8	<u>M100153</u>	Main Rear Left Jackshaft . 9-Gang & 11-Gang	1
	<u>M100240</u>	Main Rear Left Jackshaft . 5 & 7-Gang	1
9	<u>M100154</u>	Main Rear Right Jackshaft . 9-Gang & 11-Gang	1
	<u>M100241</u>	Main Rear Right Jackshaft . 5 & 7-Gang	1
10	<u>M100157</u>	Jackshaft Coupling. Top. 5, 7 & 9-Gang	2
	<u>M100191</u>	Jackshaft Coupling. Top. 11-Gang	1
11	<u>M100158</u>	Jackshaft Coupling. Bottom. 5, 7 & 9-Gang	2
	<u>M100192</u>	Jackshaft Coupling. Bottom. 11-Gang	1
12	<u>F924450</u>	Key	2
13	<u>F040524</u>	Bolt 5/16 UNC x 2 1/2 GR8	12
14	<u>F210500</u>	Locknut 5/16 UNC	12
15	<u>MD51010</u>	Taper Lock Bushing (Includes items 17 & 18)	5
16	<u>MD12044</u>	Pulley. Reel Drive	5
17	<u>F310400</u>	Lockwasher 1/4	21
18	<u>F030412</u>	Bolt. (Full Thread) 1/4 UNC x 1 1/4	21
19	<u>F924414</u>	Key	9
20	<u>F924432</u>	Key	2
21	<u>MD52010</u>	Taper Lock Bushing (Includes items 17 & 18)	2
22	<u>MD22066</u>	Pulley. Jackshaft Drive	2
23	<u>KD62364</u>	Drive Belt. Front. Std. Speed	2
	<u>KD62368</u>	Drive Belt. Front. (Reels 4 & 5 on 10 inch Reel Design)	2
24	<u>KD62381</u>	Drive Belt. Rear. Std. Speed	2
	<u>MD62082</u>	Drive Belt. Rear. High Speed. Opt.	2
25	<u>M100145</u>	Shims- Pillow Block Bearings - See Note 2	A/R
26	<u>KM11400</u>	Grease Fitting	8
27	<u>M100150</u>	Main Front Jackshaft. 5-Gang	1
NOTE 1			
Refer to pages 7 & 9 for the location of Jackshafts and P.T.O Shafts.			
NOTE 2			
The shims <u>M100145</u> are used to align the jackshaft. Refer to the operator/ maintenance manual for the correct procedure.			
NOTE 3			
A) Items 10, 11, 12, 13, & 14. Available as set No. <u>M500016</u>			
B) Items 13 & 14. 20 required for 11-Gang.			

MAINFRAME, GEARBOX, IDLERS & GUARDS

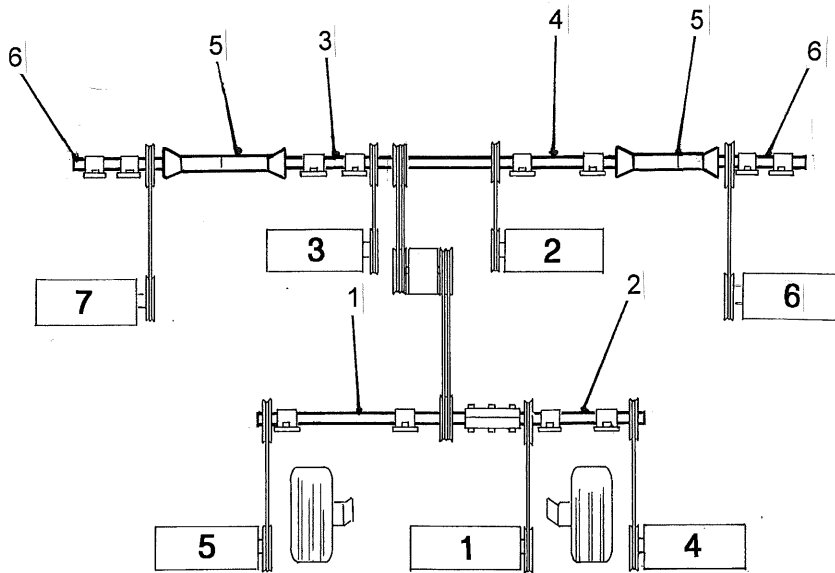


ITEM NO.	PART NO	DESCRIPTION	QTY
MAIN FRAME, GEARBOX, IDLERS & GUARDS			
1	<u>M500002</u>	Idler Pulley	2
2	<u>M300009</u>	Idler Arm	2
3	<u>KM11400</u>	Grease Fitting	2
4	<u>F040836</u>	Bolt 1/2 UNC x 3 3/4 GR8	2
5	<u>F210800</u>	Locknut 1/2 UNC	2
6	<u>F910514</u>	Cotter Pin 5/32 x 1 1/2	2
7	<u>MS20001</u>	Spring	2
8	<u>F050550</u>	Eye Bolt	2
9	<u>F230500</u>	Nut 5/16 UNC	2
10	<u>F320500</u>	Flatwasher 5/16	2
11	<u>F210500</u>	Locknut 5/16 UNC	2
12	<u>M100011</u>	Bulkhead Plate	1
13	<u>F310400</u>	Lockwasher 1/4	2
14	<u>F040410</u>	Bolt 1/4 UNC x 1 GR8	2
15	<u>MH20001</u>	Hydraulic Control Block / Sequence Valve Assembly	1
16	<u>F040434</u>	Bolt 1/4 UNC 3 1/2 GR8	3
17	<u>F310400</u>	Flatwasher 1/4. See Note 1	A/R
18	<u>KD92007</u>	Gearbox. See Note 2	1
19	<u>F040814</u>	Bolt 1/2 UNC x 1 1/2 GR8	4
20	<u>F310800</u>	Lockwasher 1/2	7
21	<u>MD22070</u>	Drive Pulley (Std)	2
	<u>MD22094</u>	Drive Pulley (Opt. High Speed)	2
22	<u>MD53011</u>	Taperlock Bushing (Includes items 13 & 24)	2
23	<u>F924416</u>	Key	2
24	<u>F040412</u>	Bolt 1/4 UNC x 1 1/4	6
25	<u>KH70035</u>	Seal Kit - Sequence Valve	1
26	<u>MH40005</u>	Sequence Valve Cartridge	1
27	<u>M100275</u>	Tool Box	1
28	<u>M300016</u>	Guard Right Side - Main Drive Belt	1
29	<u>M300015</u>	Guard Left Side - Main Drive Belts	1
30	<u>KD62381</u>	Drive Belt Rear - Standard	2
	<u>MD62083</u>	Drive Belt Reat - High Speed Opt.	2
31	<u>KD62364</u>	Drive Belt Front - Standard	2
	<u>KD62368</u>	Drive Belt Front (Reels 4 & 5 on 10 inch Reel Design)	2
32	<u>6-130109N</u>	Pipe Plug. Hex. Socket 3/8	1
NOTE 2			
<div style="border: 1px solid black; padding: 5px; margin: 0 auto; width: fit-content;"> Gearbox Seal Kit Part No. <u>KD92103</u>. Gearbox Bearing Kit Part No. <u>M500091</u>. </div>			
NOTE 1			
<div style="border: 1px solid black; padding: 5px; margin: 0 auto; width: fit-content;"> *Item 17, Flatwasher. Use to limit the bolt (item 16) thread depth to 1/4 in (6.5mm) into the frame. </div>			

REEL DRIVE JACK SHAFTS



5 GANG

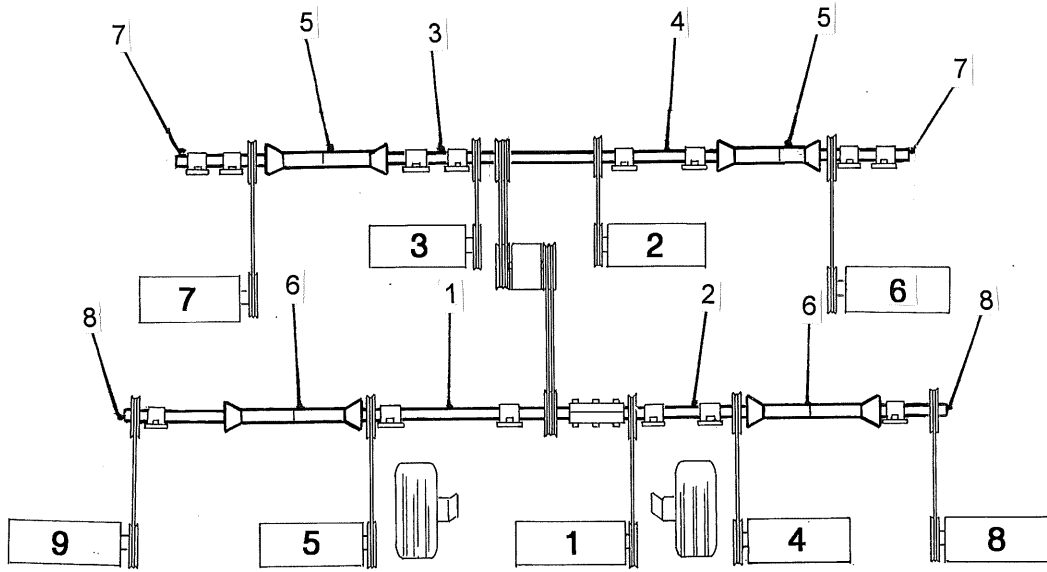


7 GANG

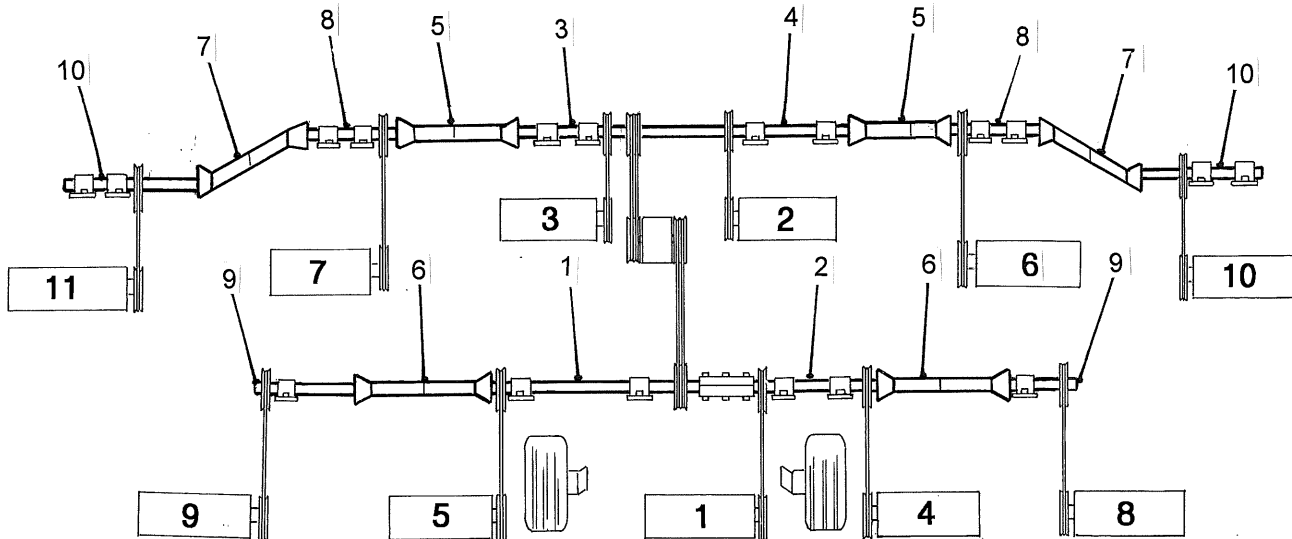
ITEM NO.	PART NO.	DESCRIPTION	QTY
REEL DRIVE JACK SHAFTS 5 GANG			
1	<u>M100240</u>	Main Rear Left Shaft 5 & 7 Gang	1
2	<u>M100241</u>	Main Rear Right Shaft 5 & 7 Gang	1
3	<u>M100150</u>	Main Front Jackshaft, 5 Gang	1

ITEM NO.	PART NO.	DESCRIPTION	QTY
REEL DRIVE JACK SHAFTS 7 GANG			
1	<u>M100240</u>	Main Rear Left Shaft 5 & 7 Gang	1
2	<u>M100241</u>	Main Rear Right Shaft 5 & 7 Gang	1
3	<u>M100151</u>	Main Front Left Shaft	1
4	<u>M100152</u>	Main Front Right Shaft	1
5	<u>MD91002</u>	PTO Shaft. Front. Bondioli & Pavesi	2
	<u>MD91007</u>	PTO Shaft. Front. Walterscheid. Wing Front - Special Order Only	2
6	<u>M100155</u>	Wing Front Shaft 9 & 11 Gang	2

REEL DRIVE JACK SHAFTS



9 GANG



11 GANG

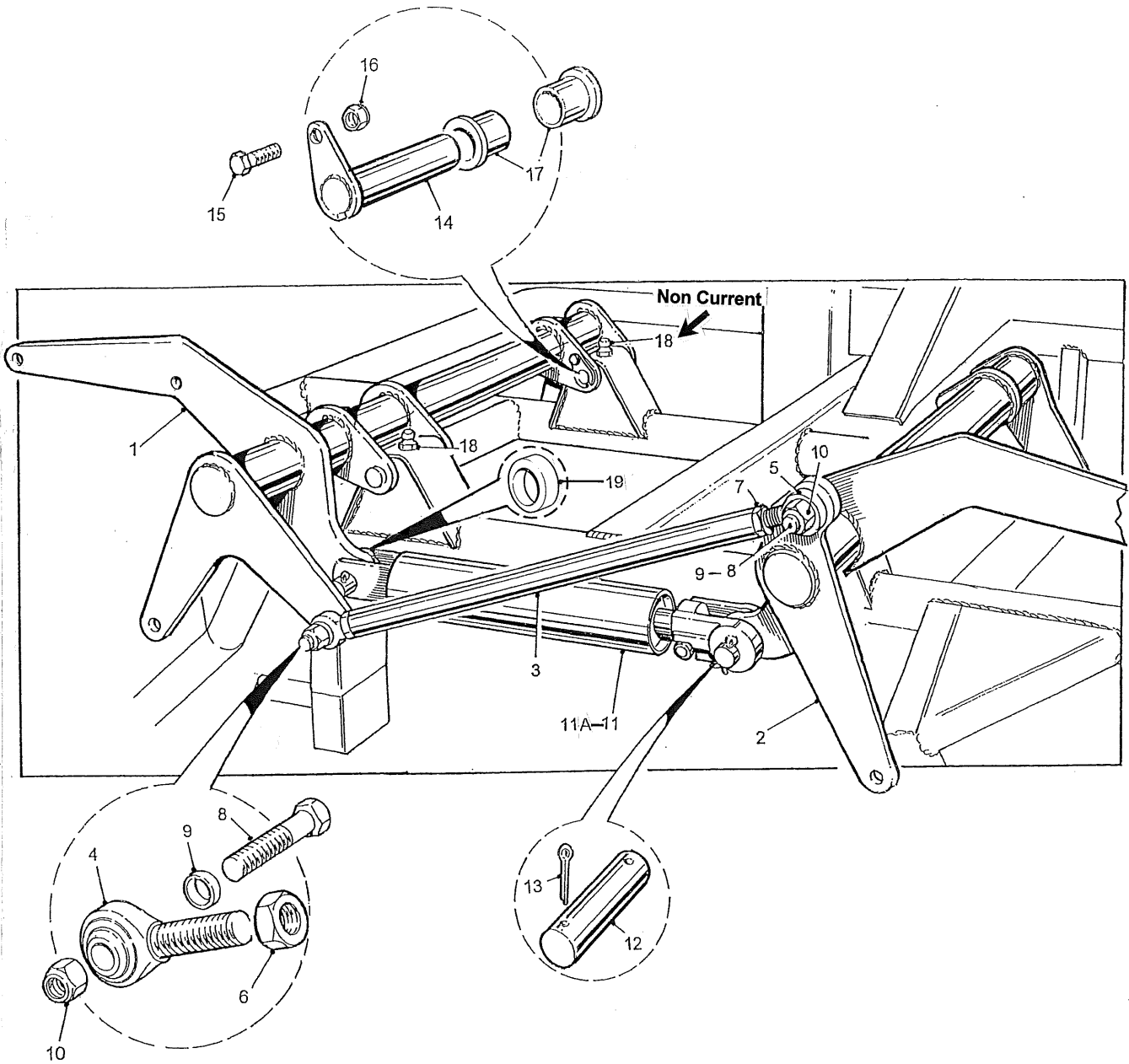
ITEM NO.	PART NO.	DESCRIPTION	QTY
REEL DRIVE JACK SHAFTS 9 GANG			
1	<u>M100153</u>	Main Rear Left Shaft 9 & 11 Gang	1
2	<u>M100154</u>	Main Rear Right Shaft 9 & 11 Gang	1
3	<u>M100151</u>	Main Front Left Shaft	1
4	<u>M100152</u>	Main Front Right Shaft	1
5	<u>MD91002</u>	PTO Shaft Front. Bondioli & Pavesi	2
	<u>MD91007</u>	PTO Shaft Front. Walterscheid, Wing Front - Special Order Only	2
6	<u>MD91003</u>	PTO Shaft Rear. Bondioli & Pavesi	2
	<u>MD91010</u>	PTO Shaft Rear. Bondioli & Pavesi. 9 & 11 Gang. Fairway Model	2
	<u>MD91008</u>	PTO Shaft Rear. Walterscheid, Wing Rear - Special Order Only	2
7	<u>M100155</u>	Wing Front Shaft 9 & 11 Gang	2
8	<u>M100156</u>	Wing Rear Shaft 9 & 11 Gang	2
	<u>M100323</u>	Wing Rear Shaft 9 & 11 Gang. Fairway Model	2

ITEM NO.	PART NO.	DESCRIPTION	QTY
REEL DRIVE JACK SHAFTS 11 GANG			
1	<u>M100153</u>	Main Rear Left Shaft 9 & 11 Gang	1
2	<u>M100154</u>	Main Rear Right Shaft 9 & 11 Gang	1
3	<u>M100151</u>	Main Front Left Shaft	1
4	<u>M100152</u>	Main Front Right Shaft	1
5	<u>MD91002</u>	PTO Shaft Front. Bondioli & Pavesi	2
	<u>MD91007</u>	PTO Shaft Front. Walterscheid. Wing Front - Special Order Only	2
6	<u>MD91003</u>	PTO Shaft Rear. Bondioli & Pavesi	2
	<u>MD91010</u>	PTO Shaft Rear. Bondioli & Pavesi. 9 & 11 Gang. Fairway Model	2
	<u>MD91008</u>	PTO Shaft Rear. Walterscheid. Wing Rear - Special Order Only	2
7	<u>MD91005</u>	PTO Shaft 11 Gang Wing Bondioli & Pavesi	2
	<u>MD91009</u>	PTO Shaft 11 Gang Wing Walterscheid - Special Order Only	2
	<u>MD91011</u>	PTO Shaft 11 Gang Fairway. Wing Walterscheid - Special Order Only	2
8	<u>M100211</u>	Wing Front Shaft 9 & 11 Gang	2
9	<u>M100156</u>	Wing Rear Shaft 9 & 11 Gang	2
	<u>M100323</u>	Wing Rear Shaft 9 & 11 Gang. Fairway Model	2
10	<u>M100155</u>	Wing Front 11 Gang only	2

SECTION 4 – LIFT ARMS & CHAINS

Main Reels Lift Assembly	4-01
Reel Lift Chains & Reel Guards	4-03
Main & Wing Lift Arms	4-05

MAIN REELS LIFT ASSEMBLY



ITEM NO.	PART NO	DESCRIPTION	QTY
MAIN REELS LIFT ASSEMBLY			
1	<u>M300011</u>	Main Lift Arm.LH. 9 & 11 Gang	1
	<u>M300090</u>	Main Lift Arm. LH. Std. 5 & 7 Gang, Fwy. 5, 7, 9 & 11 Gang, 5 Gang Verticut	1
2	<u>M300012</u>	Main Lift Arm. RH. 9 & 11 Gang	1
	<u>M300091</u>	Main Lift Arm. RH. Std. 5 & 7 Gang, Fwy. 5, 7, 9 & 11 Gang, 5 Gang Verticut	1
3	<u>M100064</u>	Synchronizer Tie Rod Tube	1
4	<u>CM00121</u>	Tie Rod End. RH	1
5	<u>CM00122</u>	Tie Rod End. LH	1
6	<u>F231250</u>	Jam Nut. 3/4 UNF. RH	1
7	<u>F231260</u>	Jam Nut. 3/4 UNF. LH	1
8	<u>F041226</u>	Bolt 3/4 UNC x 2 3/4 GR8	2
9	<u>M100041</u>	Spacer	2
10	<u>F211200</u>	Locknut 3/4 UNC	2
11	<u>M500011</u>	Main Lift Cylinder Assy	1
11A	<u>M500019</u>	Seal Kit. Lift Cylinder	1
12	<u>P100061</u>	Hinge Pin	2
13	<u>F910514</u>	Cotter Pin 5/32 x 1 1/2	4
14	<u>M300010</u>	Pivot Pin	4
15	<u>F040512</u>	Bolt 5/16 UNC x 1 1/4 GR8	4
16	<u>F210500</u>	Locknut 5/16	4
17	<u>KB11614</u>	Flanged Bushing	8
18	<u>KM11400</u>	Grease Fitting. Non Current up to Serial No. 571	4
19	<u>M100134</u>	Spacer	1

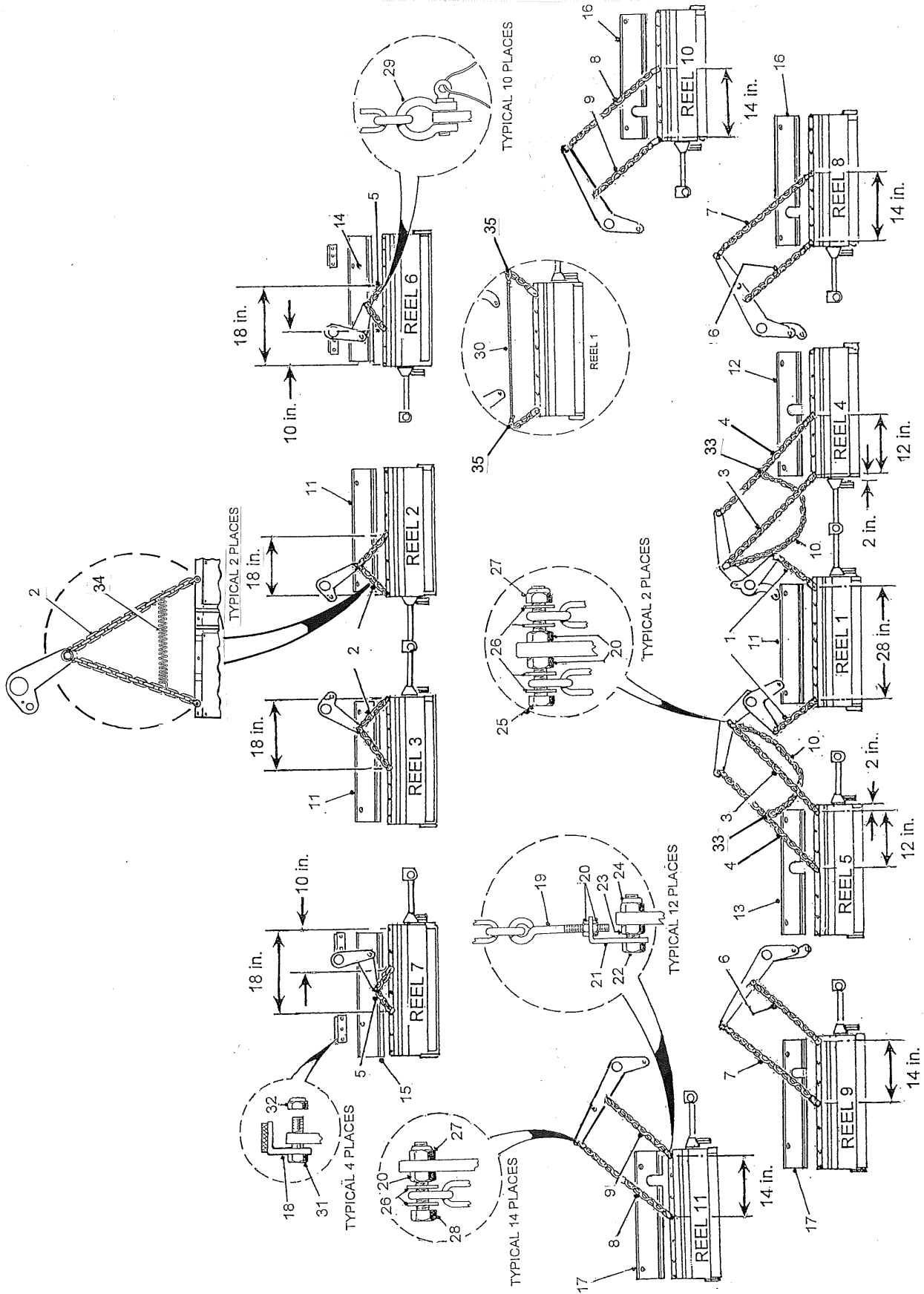
NOTE 1

Items 3.4.5.6.7 available as assembly No. M500014

NOTE 2

See Page 4-07 for Main Lift Arm Identifier.

REEL LIFT CHAINS & GUARDS



ITEM NO.	PART NO	DESCRIPTION	QTY
REEL LIFT CHAINS & GUARDS			
1	<u>C100101</u>	Lift Chain. Reel 1. Std. & Fwy. 1 - 19 inch	2
2	<u>C100123</u>	Lift Chain. Reel 2 & 3. Std. & Fwy. - 38 1/2 inch	2
3	<u>C300027</u>	Lift Chain. Inner. Reel 4 & 5. 5 Gang Std. - 29 inch	2
4	<u>C300026</u>	Lift Chain. Outer. Reel 4 & 5. 11 Gang Std. - 26 1/4 inch	2
	<u>C300108</u>	Lift Chain. Outer. Reel 4 & 5. 5, 7 & 9 Gang Std. & Fwy. 30 1/4 inch	2
	<u>C300108</u>	Lift Chain. Outer. Reel 4 & 5. 11 Gang Fwy. - 30.25 inch	2
	<u>C300027</u>	Lift Chain. Outer. Reel 4 & 5. 5 Gang Verticut - 29 inch	2
5	<u>C100124</u>	Lift Chain. Reel 6 & 7. Std. & Fwy. - 14 inch	2
6	<u>C300028</u>	Lift Chain. Inner. Reel 8 & 9. 9 & 11 Gang Std. - 19 inch	2
	<u>C300107</u>	Lift Chain. Inner. Reel 8 & 9. 9 & 11 Gang Fwy. - 20 1/4 inch	2
7	<u>C300029</u>	Lift Chain. Outer. Reel 8 & 9. 9 & 11 Gang Fwy.- 24 inch	2
8	<u>C300030</u>	Lift Chain. Inner. Reel 10 & 11. 11 Gang Std. & Fwy. - 15 1/4 inch	2
9	<u>C300028</u>	Lift Chain. Outer. Reel 10 & 11. 11 Gang Std. & Fwy. - 17 3/4 inch	2
10	<u>C100111</u>	Transport Safety Chain 9 & 11 Gang Std. & Fwy.- 31 1/4 inch	2
	<u>C100129</u>	Transport Safety Chain 7 Gang Std. & Fwy. - 46 1/2 inch	2
	<u>C100228</u>	Transport Safety Chain 5 Gang Std. & Fwy. - 12 1/2 inch	1
	<u>C100229</u>	Transport Safety Chain 5 Gang Std. & Fwy. - 4 inch	1
11	<u>C100056</u>	Reel Guard No. 1. 2 & 3	3
12	<u>C100057</u>	Reel Guard No. 4	1
13	<u>C100058</u>	Reel Guard No.5	1
14	<u>C100067</u>	Reel Guard No. 6	1
15	<u>C100068</u>	Reel Guard No. 7	2
16	<u>C100059</u>	Reel Guard No 8 & 10	2
17	<u>C100060</u>	Reel Guard No. 9 & 11	2
18	<u>C500004</u>	Bumper Pad No. 6 & 7 only	4
19	<u>F050640</u>	Eyebolt Reels 4,5,8,9,10 & 11	12
20	<u>F230600</u>	Nut 3/8 unc	42
21	<u>C300019</u>	Chain Tensioner Bracket	12
22	<u>F040512</u>	Bolt 5/16 unc x 1 1/4 GR8	12
23	<u>F230500</u>	Nut 5/16 unc	12
24	<u>F210500</u>	Locknut 5/16 unc	12
25	<u>F040630</u>	Bolt 3/8 unc x 3 GR8	2
26	<u>F320600</u>	Flatwasher 3/8	36
27	<u>F210600</u>	Locknut 3/8 unc	16
28	<u>F040620</u>	Bolt 3/8 unc x 2 GR8	14
29	<u>KC01002</u>	Shackle	10
30	<u>KM71016</u>	Rubber Rope. 18in	1
31	<u>F040506</u>	Bolt 5/16 unc x 3/4 GR8	8
32	<u>F210500</u>	Locknut 5/16 unc	8
33	<u>KC01035</u>	Fireman Snap 5/16	2
34	<u>KS20008</u>	Spring. Reels 2 & 3	2
35	<u>F990324</u>	'S' Hook 3/16 Dia. X 2 1/2 x 2 1/2	2

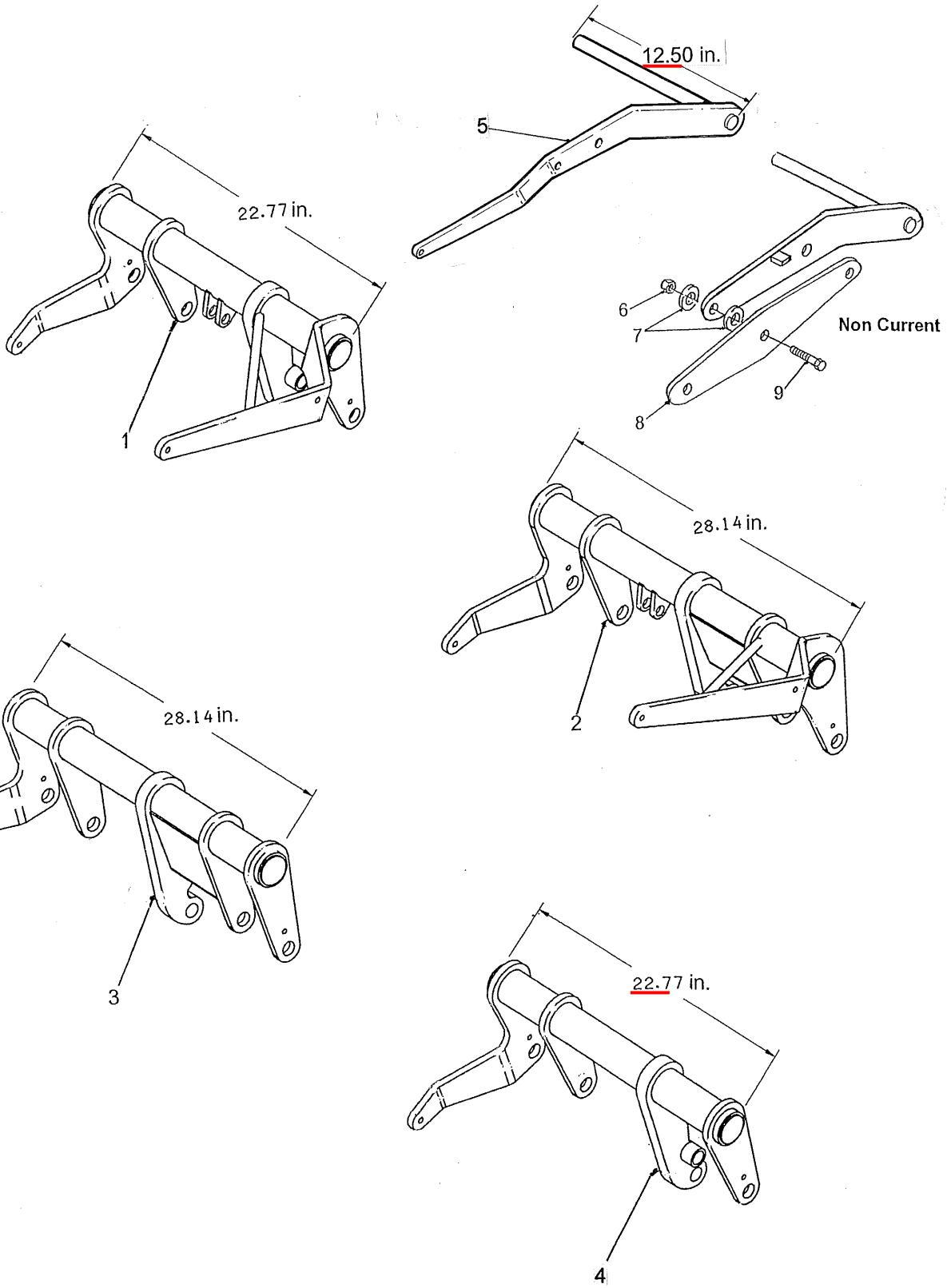
NOTE 1

See Section 2, Page 13 for Reel Guard Attachment Fasteners

NOTE 2

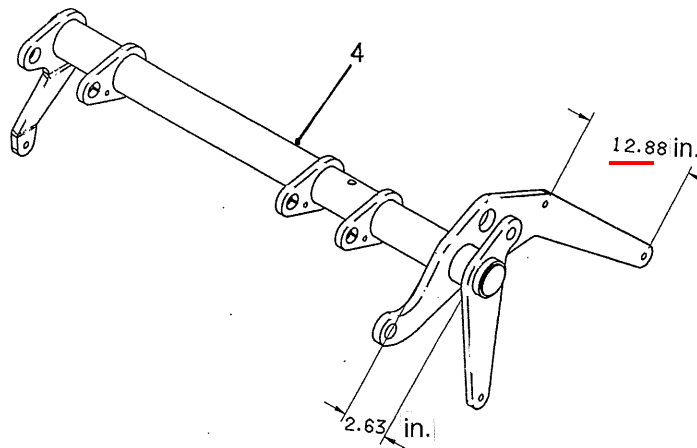
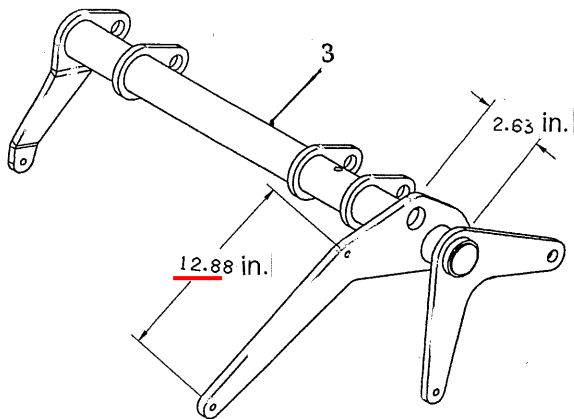
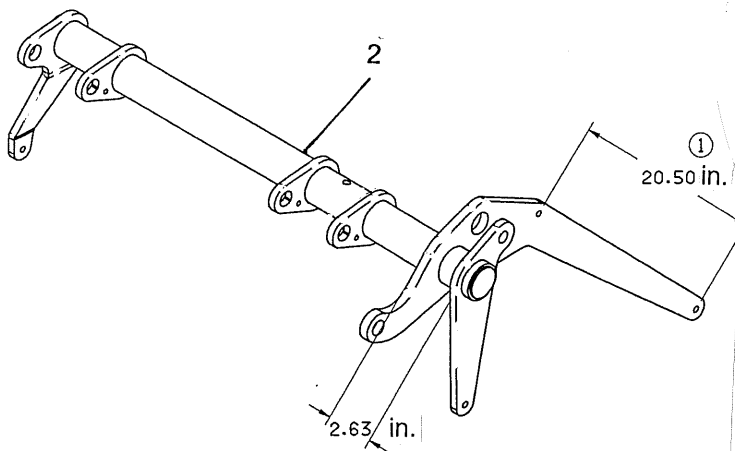
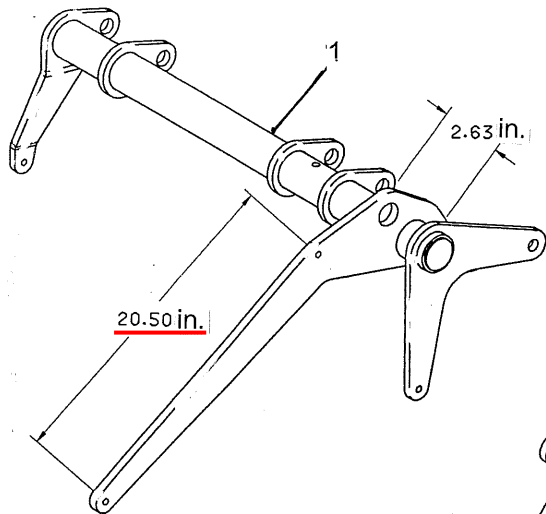
Items 30 & 35 are available as assembly C500068.

WING LIFT ARMS



ITEM NO.	PART NO.	DESCRIPTION	QTY
WING LIFT ARMS			
1	<u>M300096</u>	Wing Lift Arm. LH. Fwy. 9 & 11 Gang (Shown)	1
	<u>M300097</u>	Wing Lift Arm. RH. Fwy. 9 & 11 Gang	1
2	<u>M300013</u>	Wing Lift Arm. LH. Std. 9 & 11 Gang (Shown)	1
	<u>M300014</u>	Wing Lift Arm. RH. Std. 9 & 11 Gang	1
3	<u>M300098</u>	Wing Lift Arm. LH. Std. 7 Gang (Shown)	1
	<u>M300099</u>	Wing Lift Arm. RH. Std. 7 Gang	1
4	<u>M300100</u>	Wing Lift Arm. LH. Fwy. 7 Gang (Shown)	1
	<u>M300101</u>	Wing Lift Arm. RH. Fwy. 7 Gang	1
5	<u>M300060</u>	Wing Lift Arm. LH. 11 Gang (Shown)	1
	<u>M300061</u>	Wing Lift Arm. RH. 11 Gang	1
6	<u>F231000</u>	Nut 5/8 unc (Non Current from Serial No. 504)	1
7	<u>F321000</u>	Flatwasher 5/8 (Non Current from Serial No. 504)	2
8	<u>M300059</u>	Balance Beam (Non Current from Serial No. 504)	1
9	<u>F041030</u>	Bolt 5/8 unc x 3 Gr.8 (Non Current from Serial No. 504)	1
<p>NOTE</p> <p>Refer to Section 2, Page 1 for 7 & 9 Gang Wingframe Assembly and Section 2, Page 5 for 11 Gang Wingframe Assembly.</p>			

MAIN LIFT ARMS



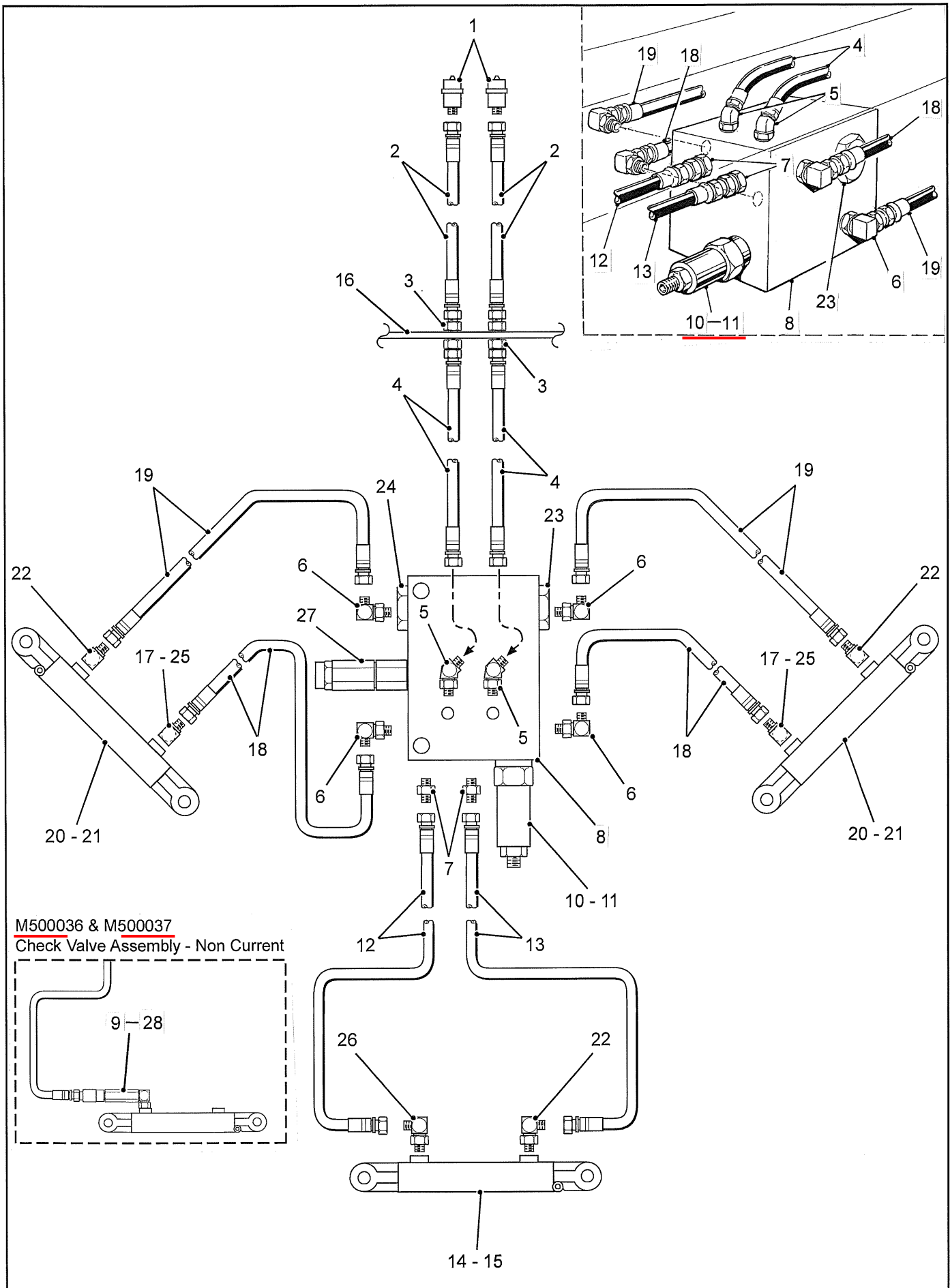
5

IMPORTANT

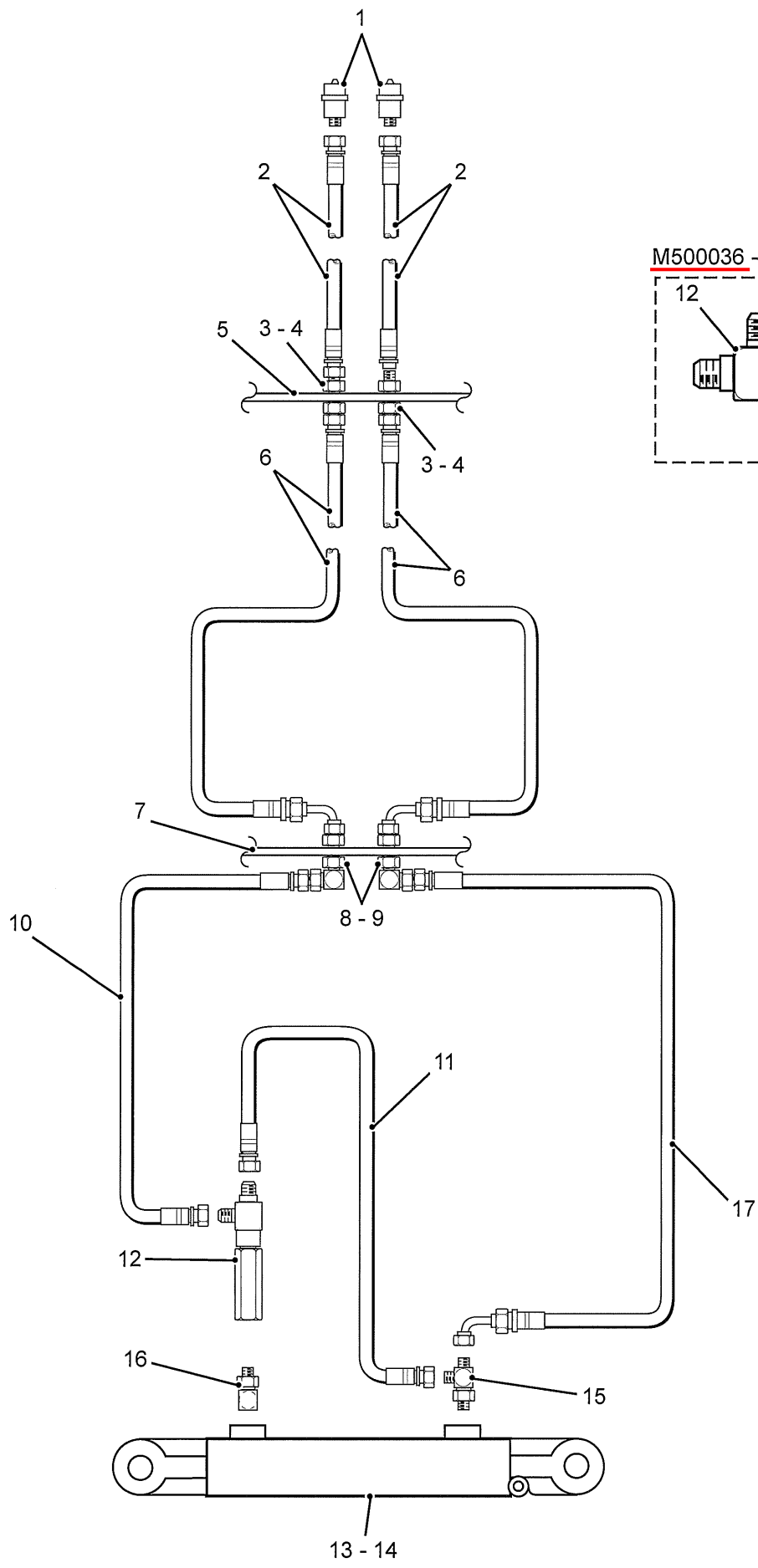
The Transport Safety Chain must be attached at this point when mowing.

D001-108

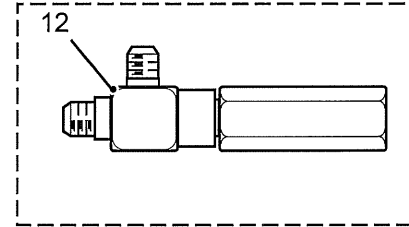
ITEM NO.	PART NO.	DESCRIPTION	QTY
MAIN LIFT ARMS			
1	<u>M300090</u>	Main Lift Arm. LH. Std. 5 & 7 Gang, Fwy. 5, 7, 9 & 11 Gang, 5 Gang Verticut	1
2	<u>M300091</u>	Main Lift Arm. RH. Std. 5 & 7 Gang, Fwy. 5, 7, 9 & 11 Gang, 5 Gang Verticut	1
3	<u>M300011</u>	Main Lift Arm. LH. Std. 9 & 11 Gang	1
4	<u>M300012</u>	Main Lift Arm. RH. Std. 9 & 11 Gang	1
5	<u>D001-108</u>	Decal - " Important The Transport Safety..."	2



ITEM NO.	PART NO.	DESCRIPTION	QTY
HYDRAULIC SYSTEM 7, 9 & 11 Gang			
1	<u>MH10004</u>	Quick Connect. Male	2
2	<u>M500003</u>	Hose. Supply/Return	2
3	<u>MH14006</u>	Bulkhead Union c/w Nut	2
4	<u>M500004</u>	Spine Hose	2
5	<u>MH11004</u>	'O' Ring Elbow. 45deg.	2
6	<u>MH12004</u>	'O' Ring Elbow. 90deg.	4
7	<u>MH13004</u>	Adaptor Straight	2
8	<u>M500031</u>	Control Block/Sequence Valve Assy - Non Current up to Serial No. 549	1
	<u>M500074</u>	Control Block/Sequence Valve Assy - Current from Serial No. 550	1
9	<u>M500036</u>	Check Valve Assembly. Wing Cylinder	1
10	<u>MH40005</u>	Sequence Valve Cartridge	1
11	<u>KH70035</u>	Seal Kit (Sequence Valve)	1
12	<u>M500050</u>	Hose. Main "UP"	1
13	<u>M500006</u>	Hose. Main "DOWN"	1
14	<u>M500011</u>	Main Lift Cylinder c/w Fittings (Item 22 for Std. Items 22 & 26 for Fwy.)	1
15	<u>M500019</u>	Seal Kit. Main Lift Cylinder	1
16	<u>M100011</u>	Bulkhead Plate	1
17	<u>M500103</u>	Orifice Plug & 'O' Ring Fitting. (Wing Cylinder) Std. & Fwy.	2
18	<u>M500051</u>	Hose. Wing "UP"	2
19	<u>M500052</u>	Hose. Wing "DOWN"	2
20	<u>M500012</u>	Wing Lift Cylinder c/w Fittings (Items 17 & 22)	2
21	<u>M500019</u>	Seal Kit. Wing Lift Cylinder	1
22	<u>4-6-070202</u>	Elbow. Male	3
23	<u>KH40017</u>	Check Valves (in block)	2
24	<u>KH40018</u>	Dual Pilot Piston with Seals (in block)	1
25	<u>M500053</u>	Elbow. 90deg. - Non Current	2
26	<u>M500104</u>	Orifice Plug & 'O' Ring Fitting	1
27	<u>KH20132</u>	Relief Valve. - Current from Serial No. 550	1
28	<u>M500037</u>	Check Valve Assembly. Main Cylinder	1
<p>NOTE</p> <p>2 Bolts -(<u>F040440</u>) 1/4 unc x 4 Gr.8 must be used when replacing the Non Current Manifold (<u>M500031</u>) with the Current Manifold (<u>M500074</u>).</p>			



M500036 - Check Valve Assembly

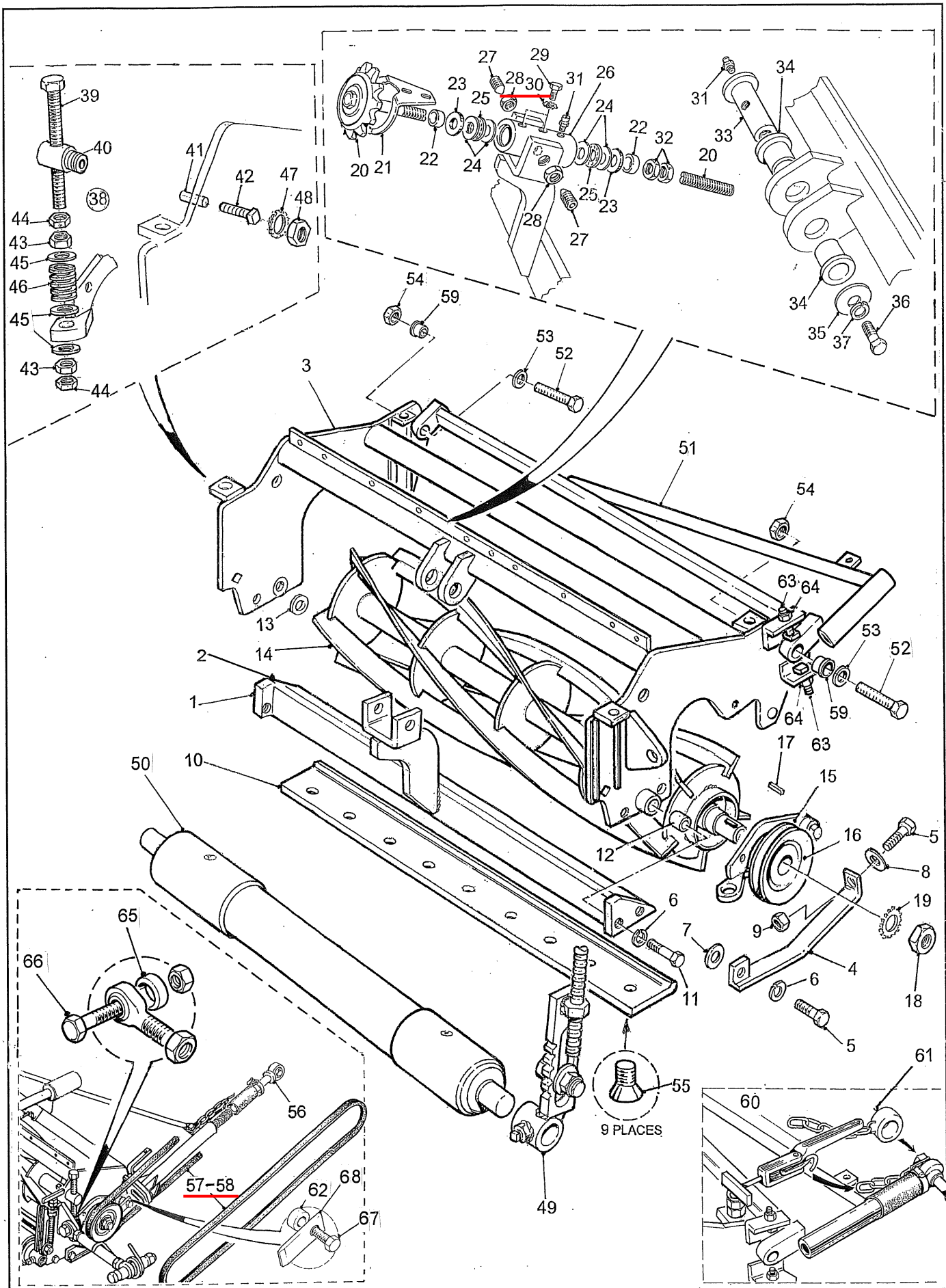


ITEM NO.	PART NO.	DESCRIPTION	QTY
5 GANG HYDRAULIC SYSTEM From Serial No. 467			
1	<u>MH10004</u>	Quick Connect. Male	2
2	<u>M500003</u>	Hose Supply/Return	2
3	<u>06-06-070601</u>	Bulkhead Union	2
4	<u>06-070118</u>	Bulkhead Nut	4
5	<u>M100011</u>	Bulkhead Plate	1
6	<u>M500017</u>	Hose Assembly	2
7	<u>M100110</u>	Bulkhead Plate	1
8	<u>04-04-070701</u>	Bulkhead Union	2
9	<u>04-070118</u>	Bulkhead Nut	4
10	<u>M500020</u>	Hose Assembly	1
11	<u>M500068</u>	Hose Assembly	1
12	<u>M500036</u>	Check Valve Assembly	1
13	<u>M500011</u>	Main Lift Cylinder	1
14	<u>M500019</u>	Seal Kit - Main Lift Cylinder	1
15	<u>06-06-070428</u>	'O' Ring Run Tee. Straight	1
16	<u>KH00302</u>	90deg. Elbow. Male	1
17	<u>M500067</u>	Hose Assembly	1

SECTION 6 – FAIRWAY MOWER

Fairway Mower Reel Assembly (Typical)
Fairway Mower Grooved Roller Assembly

6-01
6-05

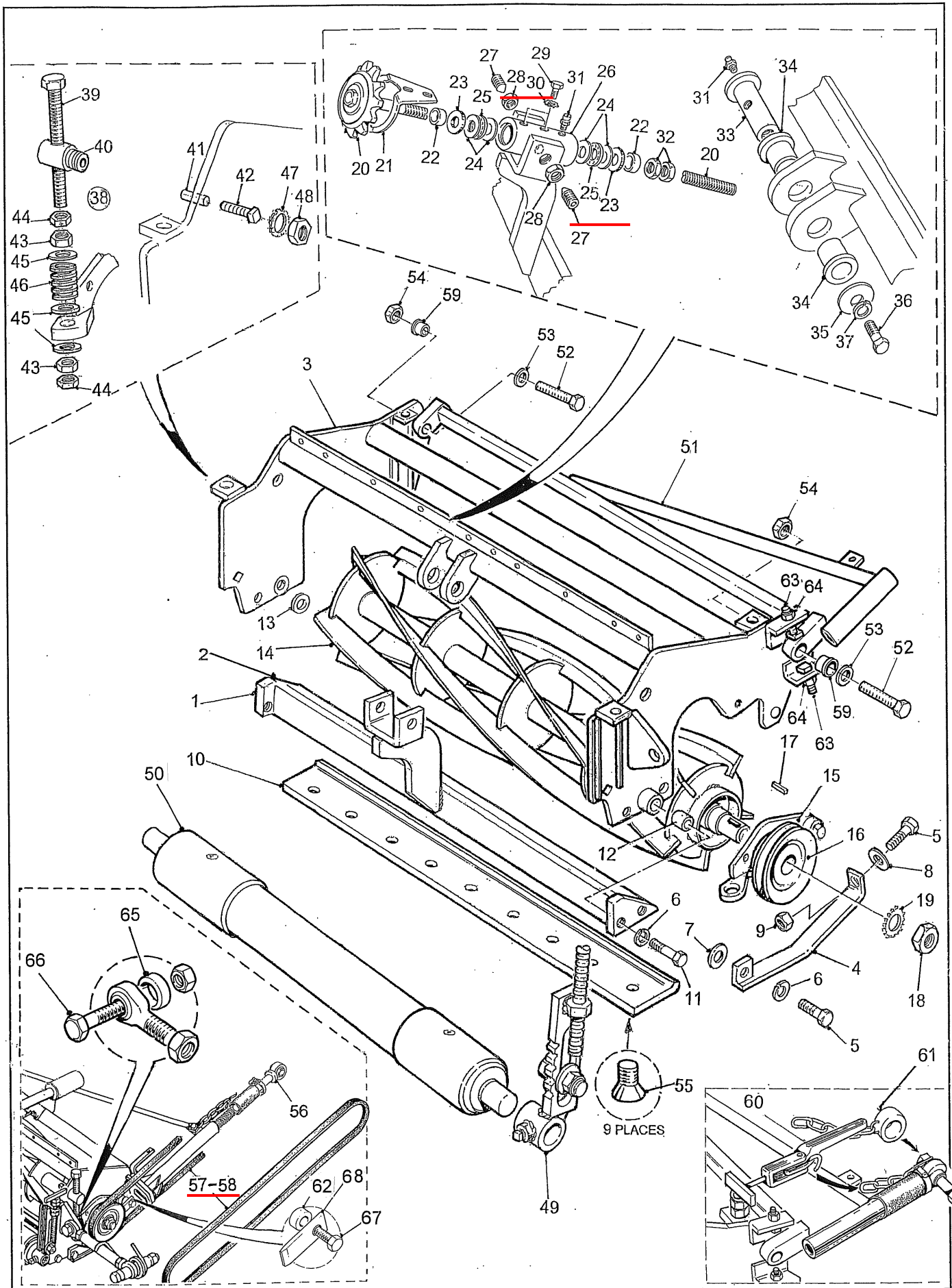


FAIRWAY MOWER REEL ASSEMBLY (TYPICAL)

ITEM NO.	PART NO.	DESCRIPTION	QTY
FAIRWAY MOWER REEL ASSEMBLY (TYPICAL)			
1	<u>C300087</u>	Bedknife Holder- Rear Reel	1
2	<u>C300099</u>	Bedknife Holder- Front Reel	1
3	<u>C300100</u>	Reel Frame. Front. Reels No 3 & 7	2
	<u>C300101</u>	Reel Frame. Front. Reels No 2 & 6	2
	<u>C300102</u>	Reel Frame. Rear. Reel No. 4	1
	<u>C300103</u>	Reel Frame. Rear. Reel No. 5	1
	<u>C300104</u>	Reel Frame. Rear. Reel No. 8 & No. 10	2
	<u>C300105</u>	Reel Frame. Rear. Reel No. 9 & No. 11	2
	<u>C300106</u>	Reel Frame. Rear. Reel No. 1	1
4	<u>C300095</u>	Skid Shoe	2
5	<u>F040712</u>	Bolt 7/16 unc x 1 1/4 GR8	4
6	<u>F310700</u>	Lockwasher 7/16	6
7	<u>F380700</u>	Shim Washer 7/16 (Skid Shoe)	A/R
8	<u>F380120</u>	Washer (Special Nickel Plated)	2
9	<u>F210700</u>	Nut 7/16 unc	2
10	<u>C200001</u>	Bedknife Blade	1
11	<u>F040716</u>	Bolt 7/16 unc x 1 3/4 GR8	2
12	<u>C100221</u>	Pivot Bushing - Bedknife	2
13	<u>F380700</u>	Shim Washer 7/16 - Bedknife	2
14	<u>C400001</u>	Reel Cylinder - 5 Blade, (See Section 1, Page 6)	1
	<u>C400002</u>	Reel Cylinder - 6 Blade	1
	<u>C400004</u>	Reel Cylinder - 7 Blade	1
	<u>C400008</u>	Reel Cylinder - 9 Blade	1
15	<u>C300001</u>	Reel Bearing Holder, (See Section 1, Page 5)	2
16	<u>C400003</u>	Drive Sheave	1
17	<u>F924410</u>	Key	1
18	<u>F221250</u>	Jam Nut 3/4 unf	2
19	<u>F371200</u>	Lockwasher 3/4 External Tooth	2
20	<u>C500100</u>	Adjusting Handle - Rear Reel Adjusters	1
	<u>C500101</u>	Adjusting Handle - Front Reel Adjusters	1
21	<u>C100211</u>	Spring Arm	1
22	<u>C100212</u>	Spacer	2
23	<u>KB12255</u>	Seal	2
24	<u>KB12257</u>	Thrust Washer	4
25	<u>KB12256</u>	Thrust Bearing	2
26	<u>C100210</u>	Retainer - Adjuster Arm	1
27	<u>F740810</u>	Set Screw 1/2 unc x 1 Soc. Hd. Cone Pt.	2
28	<u>F220800</u>	Jam Nut 1/2 unc	2
29	<u>F040504</u>	Bolt 5/16 unc x 1/2 GR8	2
30	<u>F370500</u>	Lockwasher 5/16 External Tooth	2
31	<u>KM11400</u>	Grease Fitting	2
32	<u>F220860</u>	Jam Nut 1/2 - 20 L.H. Thread	2
33	<u>C100207</u>	Pivot Pin - Adjusting Arm	1
34	<u>KB11618</u>	Flanged Bushing	2
35	<u>C100209</u>	Washer - Pivot Pin	1
36	<u>F040806</u>	Bolt 1/2 unc x 3/4 GR8	1
37	<u>F310800</u>	Lockwasher 1/2	1

NOTE

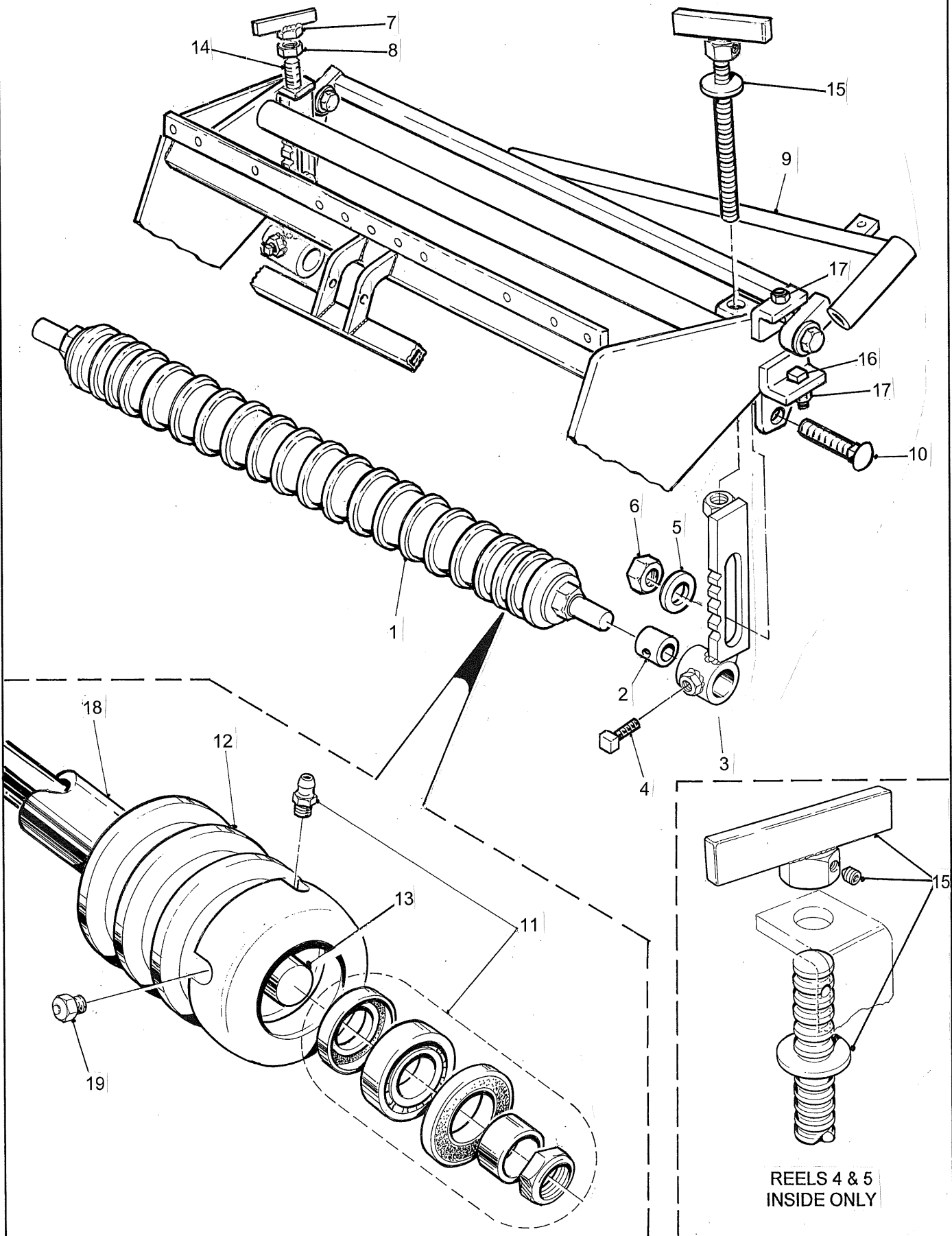
Items 20 to 32 are available as: Single
Point Adjust Assy. Front. C500098 Single
Point Adjust Assy. Rear. C500102



FAIRWAY MOWER REEL ASSEMBLY (TYPICAL)

ITEM NO.	PART NO.	DESCRIPTION	QTY
FAIRWAY MOWER REEL ASSEMBLY (TYPICAL)			
38	<u>C500036</u>	Reel Adjuster Assembly	2
39	<u>C300008</u>	Height Adjuster Bolt	1
40	<u>C100010</u>	Adjuster Nut	1
41	<u>C100022</u>	Lock Slug	1
42	<u>F110612</u>	Set Screw 3/8 unc x 1 1/4 SQ. HD. Cup Pt.	1
43	<u>F231050</u>	Nut 5/8 unc	2
44	<u>F221050</u>	Jam Nut 5/8 unc	2
45	<u>F331000</u>	Washer 5/8 S.A.E.	3
46	<u>CS10001</u>	Spring	1
47	<u>F371200</u>	Lockwasher 3/4 Ext. Tooth	1
48	<u>F221250</u>	Jam Nut 3/4 unc	1
49	<u>C500002</u>	Roller Height Adjuster L.H. (See Section 1, Page 9)	1
	<u>C500003</u>	Roller Height Adjuster R.H.	1
50	<u>C500157</u>	Roller Assembly (See Section 1, Page 9)	1
51	<u>C300060</u>	Floating Reel Pivot	1
52	<u>F081022</u>	Bolt 5/8 unf x 2 1/4 Gr.8	2
53	<u>F321000</u>	Washer 5/8	2
54	<u>F231050</u>	Jam Nut 5/8 unf	2
55	<u>F120606</u>	Bolt 3/8 unc x 5/8 Fl. Hd. Hex	9
56	<u>C100157</u>	Spacer 1/2in. LG.	1
57	<u>KD62366</u>	Belt	1
	<u>KD62367</u>	Belt - (Reels 4 & 5 on 7 & 9 Gang and Reels 4, 5, 8 & 9 on 11 Gang)	1
58	<u>KD62165</u>	Belt (Kevlar - option)	1
59	<u>KB11013</u>	Bushing	2
60	<u>CM90002</u>	Binder Release	1
61	<u>C300032</u>	Belt Release Collar/Chain Assembly	1
62	<u>C100137</u>	Spacer. Pulley Scraper	1
63	<u>F110612</u>	Bolt 3/8 unc x 1 1/4 Sq. Hd. Cup Pt.	2
64	<u>F220600</u>	Jam Nut 3/8 unc	2
65	<u>C100248</u>	Spacer. Tie Rod (Reel 4 only.)	1
66	<u>F081224</u>	Bolt 3/4 unf x 2 1/2 Gr.8 (Reel 4 only.)	1
67	<u>F040612</u>	Bolt 3/8 unc x 1 1/4 Gr.8	1
68	<u>C100138</u>	Pulley Scraper	1

FAIRWAY MOWER GROOVED ROLLER ASSEMBLY



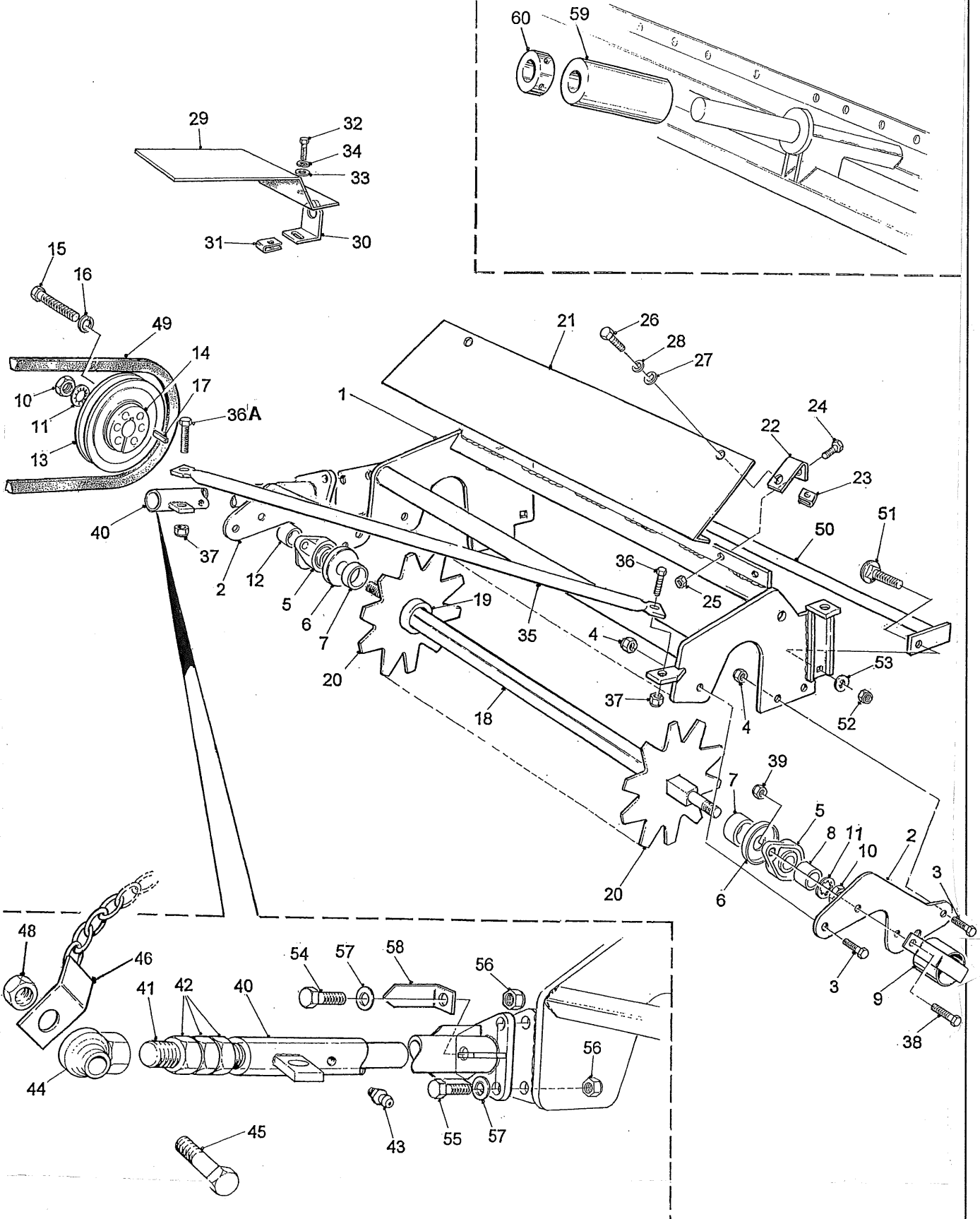
ITEM NO.	PART NO.	DESCRIPTION	QTY
FAIRWAY MOWER GROOVED ROLLER ASSEMBLY			
1	<u>C500065</u>	Grooved Roller Assembly	1
2	<u>KX40021</u>	Bushing. Shaft	2
3	<u>C500002</u>	Roller Height Adjuster L.H.	1
	<u>C500003</u>	Roller Height Adjuster R.H.	1
4	<u>F110606</u>	Set Screw 3/8 unc x 3/4 Sq. Hd. Cut Pt.	1
5	<u>F320800</u>	Washer 1/2	1
6	<u>F210800</u>	Nut 1/2 unc	1
7	<u>C300006</u>	Wing Nut Roller Height Adjuster	2
8	<u>F250800</u>	Roller Height Nut (Plated Coil) 1/2	2
9	<u>C300060</u>	Floating Reel Pivot	1
10	<u>F020814</u>	Bolt 1/2 unc x 1 1/2 Carriage (Height Adjuster)	1
11	<u>KX40001</u>	Repair Kit	2
12	<u>KX40010</u>	Bearing Holder	2
13	<u>KX40022</u>	Shaft	1
14	<u>C300007</u>	Adjuster Bolt - Roller Height	2
15	<u>C500165</u>	Roller Height Adjuster Assembly - Reel 4 & 5 (inside only)	1
16	<u>F110612</u>	Bolt 3/8 unc x 1 1/4 Sq. Hd. Cup Pt.	2
17	<u>F220600</u>	Jam Nut 3/8 unc	2
18	<u>KX40011</u>	Tube	1
19	<u>KM11496</u>	Relief Valve	2

SECTION 7 – VERTICAL MOWER

Vertical Mower Reel Assembly (Typical)	7-01
Vertical Mower Sheaves/Drive Belts & Idler/Tensioner	7-05
Vertical Mower Main Wheel Assy, Height Adjuster Wheel & Deflector Flap	7-07

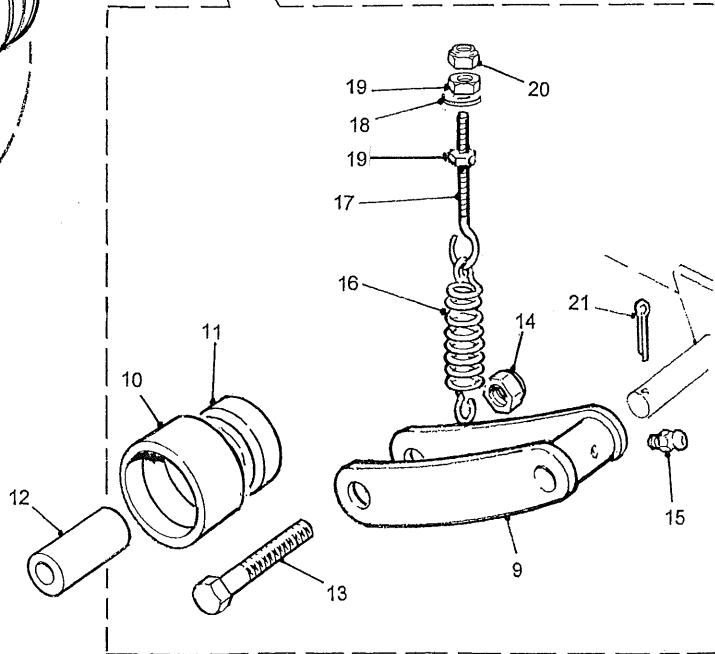
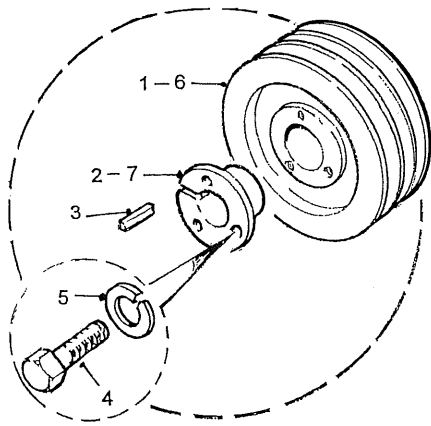
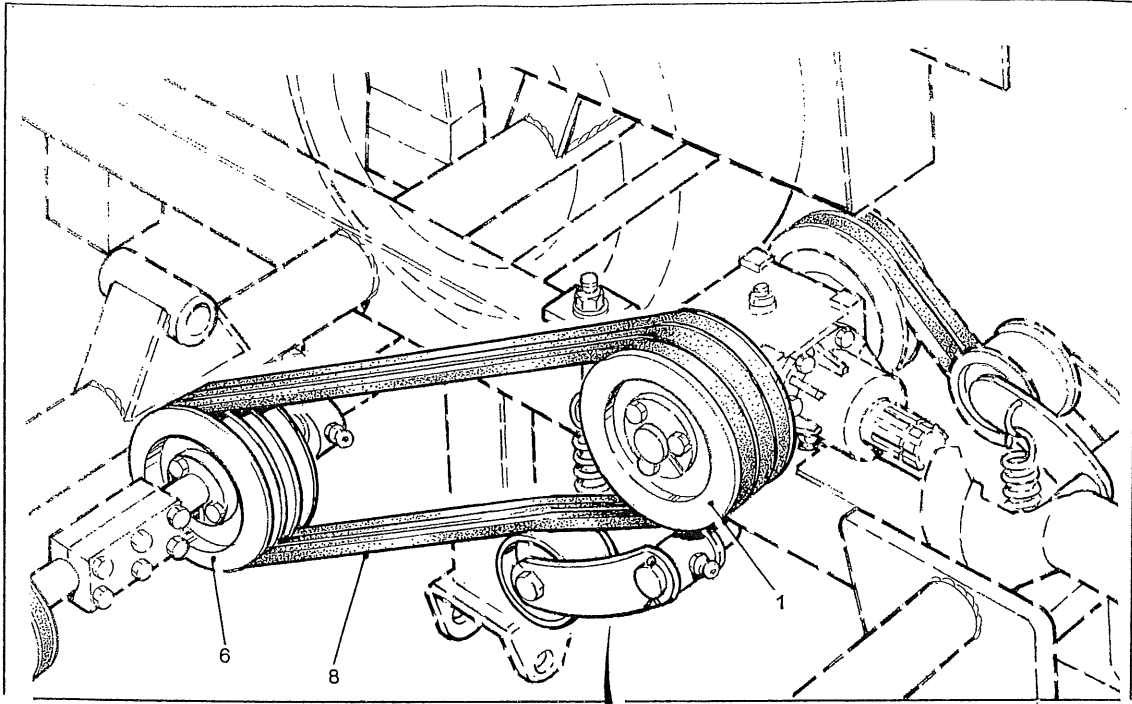
ITEM NO.	PART NO	DESCRIPTION	QTY
VERTICAL MOWER REEL ASSEMBLY (TYPICAL)			
1	<u>C300076</u>	Reel Frame - Reel 1 & 3	1
	<u>C300077</u>	Reel Frame - Reel 2	1
	<u>C300078</u>	Reel Frame - Reel 4	1
	<u>C300079</u>	Reel Frame - Reel 5	1
2	<u>C100201</u>	End Plate	2
3	<u>F040712</u>	Bolt 7/16 UNC x 1 1/2 GR. 8	6
4	<u>F210700</u>	Locknut 7/16 UNC.	6
5	<u>KB10205</u>	Ball Bearing Series UC2 (Set Screw Type) with Housing	2
6	<u>C100118</u>	Cap	2
7	<u>C100120</u>	End Spacer	2
8	<u>C100143</u>	Idler Spacer	1
9	<u>C300018</u>	Guard - Outer Reel Bearing	1
10	<u>F221650</u>	Jam Nut 1 UNF	2
11	<u>F391600</u>	Lock Washer - Int. Tooth 1 in.	2
12	<u>C100142</u>	Spacer - Drive Side	1
13	<u>KD12066</u>	Sheave	1
14	<u>MD52010</u>	Taper Lock Bushing (Includes items 15 & 16)	1
15	-----	Bolt 1/4 UNC x 1 1/4 GR8	3
16	-----	Lock Washer	3
17	<u>F924418</u>	Key	1
18	<u>C100117</u>	Reel Shaft	1
19	<u>C100119</u>	Blade Spacer	21
20	<u>KM45100</u>	Blade	22
21	<u>C100056</u>	Reel Guard (Reels 1,2 & 3)	3
	<u>C100057</u>	Reel Guard (Reel 4)	1
	<u>C100058</u>	Reel Guard (Reel 5)	1
22	<u>C100052</u>	Bracket	2
23	<u>F240500</u>	Clip Nut 5/16 UNC	2
24	<u>F040510</u>	Bolt 5/16 UNC x 1 GR8	2
25	<u>F210500</u>	Locknut 5/16 UNC	2
26	<u>F040506</u>	Bolt 5/16 UNC x 3/4 GR8	2
27	<u>F320500</u>	Washer 5/16	2
28	<u>F310500</u>	Lock Washer 5/16	2
29	<u>C100121</u>	Sheave Guard	1
30	<u>C100122</u>	Bracket	1
31	<u>F240500</u>	Clip Nut 5/16 UNC	1
32	<u>F040506</u>	Bolt 5/16 UNC x 3/4 GR8	1
33	<u>F320500</u>	Washer 5/16	1
34	<u>F310500</u>	Lock Washer 5/16	1
35	<u>C100047</u>	Strut	1
36	<u>F040714</u>	Bolt 7/16 UNC x 1 1/2 GR. 8	2
36A	<u>F040710</u>	Bolt 7/16 UNC x 1 GR8	1
37	<u>F210700</u>	Locknut 7/16 UNC.	1
38	<u>F040604</u>	Bolt 3/8 UNC x 1/2	4
39	<u>F230600</u>	Locknut 3/8 UNC	4
40	<u>C300016</u>	Telescopic Arm	1
41	<u>C100116</u>	Shaft - Telescopic Arm	1
42	<u>F221600</u>	Jam Nut 1 UNC.	3
43	<u>KM11400</u>	Grease Fitting	1

VERTICAL MOWER REEL ASSEMBLY (TYPICAL)



ITEM NO.	PART NO	DESCRIPTION	QTY
VERTICAL MOWER REEL ASSEMBLY (TYPICAL)			
44	<u>C300046</u>	Pivot Nut	1
45	<u>F041250</u>	Bolt 3/4 UNC. X 5 GR8	1
46	<u>C300020</u>	Safety Chain	1
47	-----	-----	--
48	<u>F2112000</u>	Locknut 3/4 UNC	1
49	<u>KD62268</u>	Drive Belt	1
50	<u>C300043</u>	Rear Toe Guard (Reels 3, 4 & 5 only)	1
51	<u>F020820</u>	Carriage Bolt 1/2 UNC. X 2	2
52	<u>F210800</u>	Locknut 1/2 UNC	1
53	<u>F320800</u>	Washer 1/2	2
54	<u>F040716</u>	Bolt 7/16 Unc x 1 3/4 GR8	1
55	<u>F040714</u>	Bolt 7/16 UNC x 1 1/2 GR8	2
56	<u>F210700</u>	Locknut 7/16 UNC	3
57	<u>F380120</u>	Washer (Special)	3
58	<u>C100249</u>	Sheave Scraper	1
59	<u>C100053</u>	Snubber Roller (Reels 4 & 5 Only)	1
60	<u>C100069</u>	Lock Collar (Reels 4 & 5 Only)	1

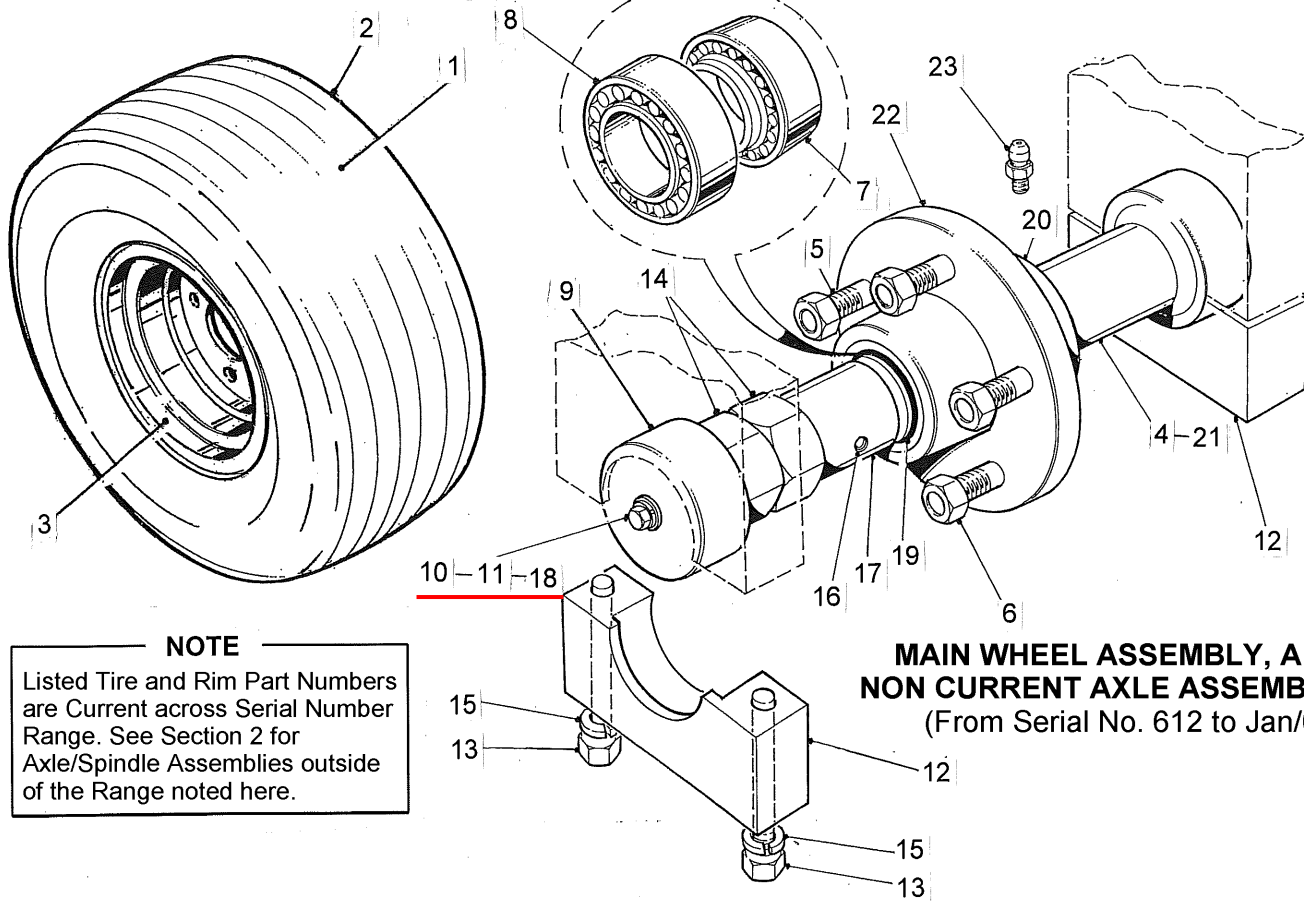
VERTICAL MOWER SHEAVES/DRIVE BELTS & IDLER/TENSIONER



ITEM NO.	PART NO	DESCRIPTION	QTY
VERTICAL MOWER SHEAVES/DRIVE BELTS & IDLER/TENSIONER			
1	<u>KD32070</u>	Sheave - 3 Groove (Gearbox)	1
2	<u>MD53011</u>	Taper Lock Bushing (Includes items 4 & 5)	1
3	<u>F924416</u>	Key	1
4	-----	Bolt 1/4 UNC x 1 1/4 GR8	6
5	-----	Lockwasher 1/4	6
6	<u>KD32066</u>	Sheave - 3 Groove (Jackshaft)	1
7	<u>MD52010</u>	Taper Lock Bushing (Includes items 4 & 5)	1
8	<u>KD62364</u>	Drive Belt - Front. Standard	3
	<u>KD62381</u>	Drive Belt - Rear. Standard	3
9	<u>M300082</u>	Idler Bracket	1
10	<u>M100254</u>	Idler Pulley	1
11	<u>KB20510</u>	Bearing	1
12	<u>M100255</u>	Idler Spacer Bushing	1
13	<u>F040836</u>	Bolt 1/2 UNC x 3 3/4 GR8	1
14	<u>F210800</u>	Locknut 1/2 UNC	1
15	<u>KM11400</u>	Grease Fitting	1
16	<u>MS20001</u>	Spring	1
17	<u>F050550</u>	Eyebolt 5/16 UNC x 5	1
18	<u>F320500</u>	Washer 5/16	1
19	<u>F230500</u>	Nut 5/16 UNC	2
20	<u>F210500</u>	Locknut 5/16 UNC	1
21	<u>F910514</u>	Cotter Pin 5/32 x 1 1/2	1

NOTE

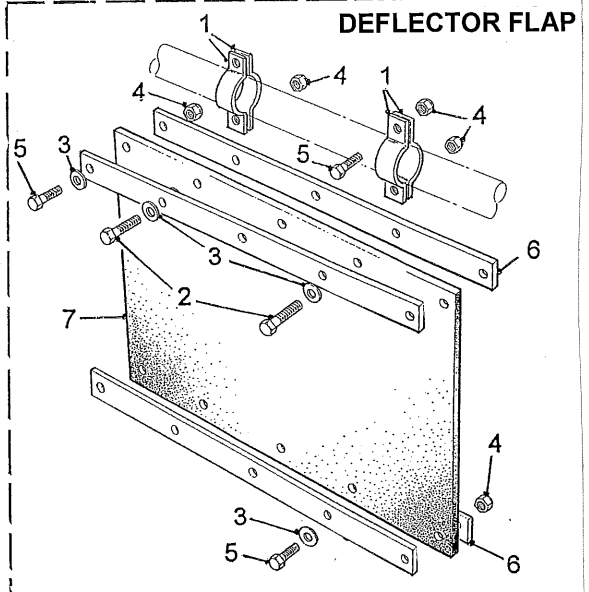
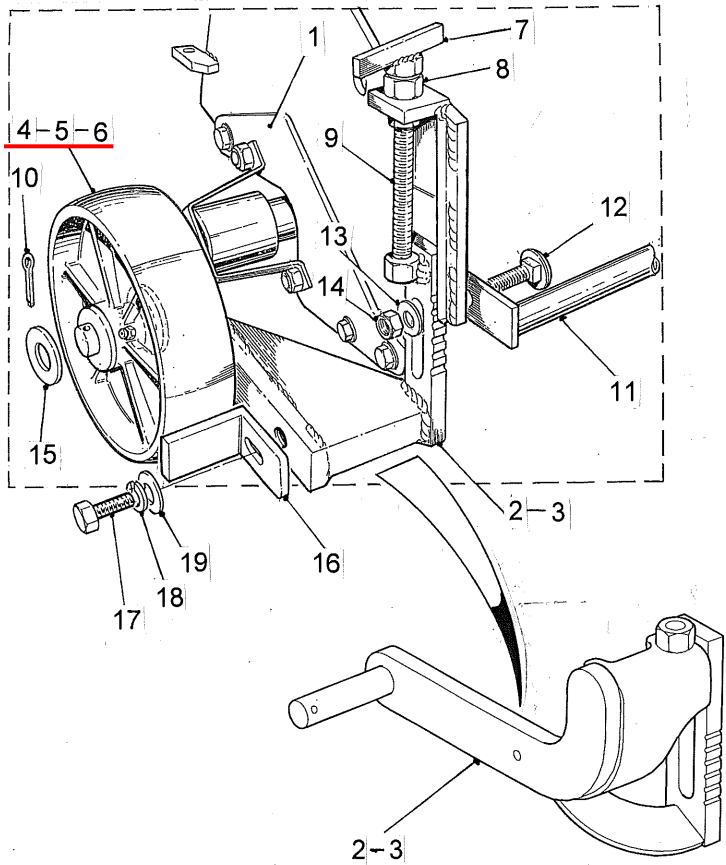
Items 10, 11 & 12 are also available as assembly M500056.



NOTE
 Listed Tire and Rim Part Numbers are Current across Serial Number Range. See Section 2 for Axle/Spindle Assemblies outside of the Range noted here.

MAIN WHEEL ASSEMBLY, AND NON CURRENT AXLE ASSEMBLY
 (From Serial No. 612 to Jan/07)

HEIGHT ADJUSTER WHEEL

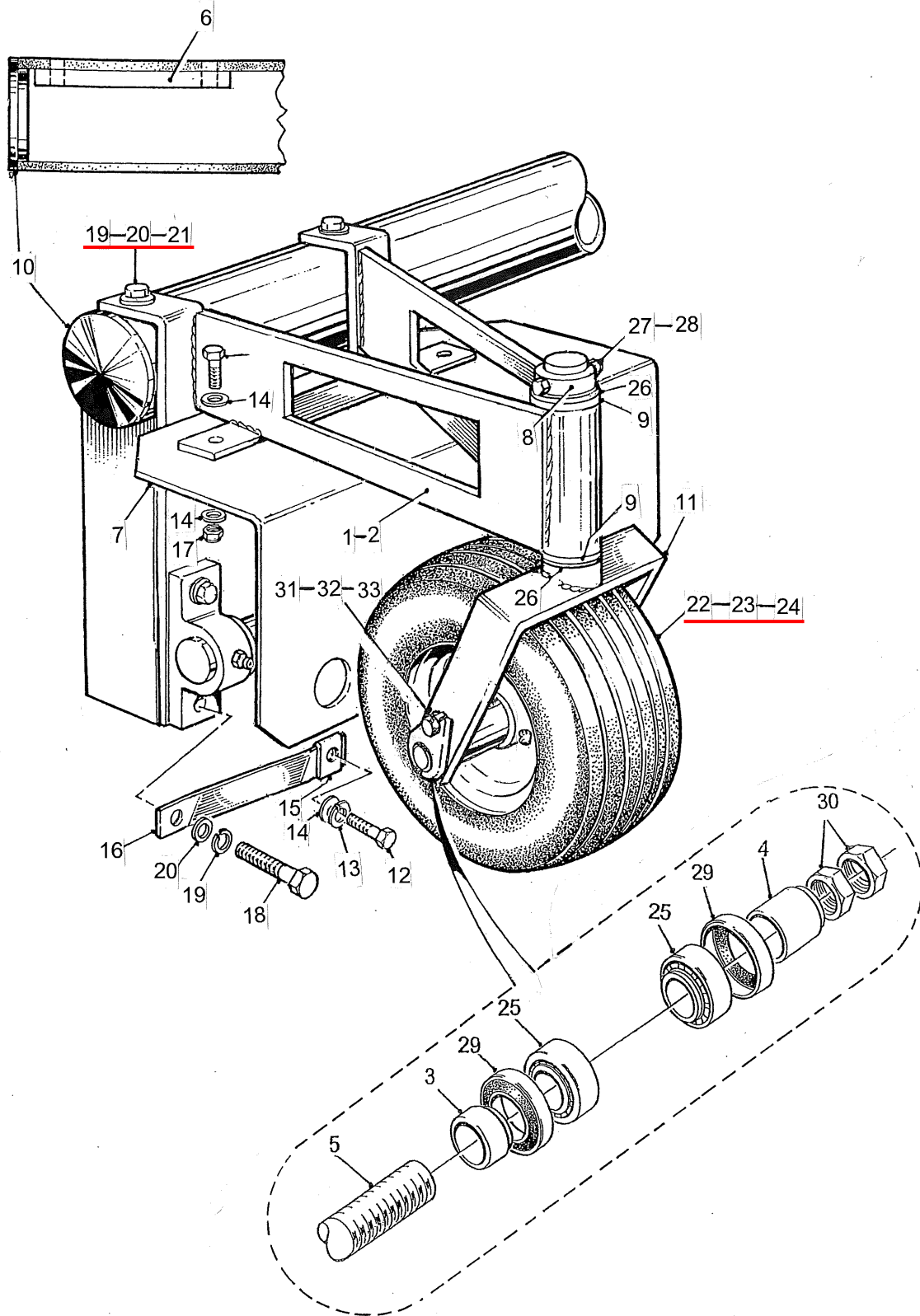


ITEM NO.	PART NO	DESCRIPTION	QTY
MAIN WHEEL ASSEMBLY, AND NON CURRENT AXLE ASSEMBLY from Serial No. 612 to Jan/07			
1	<u>MW50006</u>	Wheel /Tire Assy	1
2	<u>MW52006</u>	Tire	1
3	<u>MW51001</u>	Rim	1
4	<u>M500061</u>	Main Axle Assembly	1
5	<u>F060116</u>	Stud 1/2 UNF	5
6	<u>F260800</u>	Wheel Nut 1/2 UNF (Torque to 90 ft. lb)	5
7	<u>KB23021</u>	Tapered Bearing. Small	1
8	<u>KB23020</u>	Tapered Bearing. Large	1
9	<u>M100316</u>	End Cup	1
10	<u>F310400</u>	Lockwasher 1/4	1
11	<u>F320400</u>	Flatwasher 1/4	1
12	<u>M100187</u>	Bearing Block - Lower	2
13	<u>F041034</u>	Bolt 5/8 UNC x 3 GR8 (Torque to 76 in. lb)	2
14	<u>M100310</u>	Nut - Main Wheel Axle	2
15	<u>F311000</u>	Lockwasher 5/8	2
16	<u>F140403</u>	Set Screw - 1/4in unc cup point 20	2
17	<u>M100309</u>	Spacer. Main Wheel Axle	1
18	<u>F010406</u>	Bolt 1/4in unc x 3/4 in GR8 LG.	2
19	<u>KB90009</u>	Shaft Seal Large	1
20	<u>KB90010</u>	Shaft Seal Small	1
21	<u>M100367</u>	Shaft	1
22	<u>M500078</u>	Hub. Main Wheel	1
23	<u>KM11400</u>	Grease Fitting	1
HEIGHT ADJUSTER WHEEL			
1	<u>C100201</u>	End Plate	REF
2	<u>C300042</u>	Wheel Height Adjuster. R.H. - Non Current up to Serial No. 56	1
	<u>C300125</u>	Wheel Height Adjuster. R.H. - Current from Serial No. 57	1
3	<u>C300041</u>	Wheel Height Adjuster. L.H. - Non Current up to Serial No. 56	1
	<u>C300124</u>	Wheel Height Adjuster. L.H. - Current from Serial No. 57	1
4	<u>KW88200</u>	Wheel Assy. c/w Bushing	1
5	<u>KW88100</u>	Wheel	1
6	<u>KB88100</u>	Bushing	1
7	<u>C300006</u>	Height Adjuster Wing Nut	1
8	<u>F250800</u>	Roller Height Nut (Plated Coil)	1
9	<u>C300007</u>	Adjuster Bolt (Plated Coil)	1
10	<u>F910320</u>	Cotter Pin 3/32 x 2	1
11	<u>C300043</u>	Rear Toe Guard (Reels 3,4 & 5 only)	1
12	<u>F020820</u>	Carriage Bolt 1/2 unc x 2	2
13	<u>F320800</u>	Washer 1/2	2
14	<u>F210800</u>	Locknut 1/2 unc	2
15	<u>F331200</u>	Washer 3/4 sae	1
16	<u>C100140</u>	Wheel Scraper	1
17	<u>F040412</u>	Bolt 1/4 unc x 1 Gr.8	1
18	<u>F320400</u>	Washer 1/4	1
19	<u>F210400</u>	Locknut 1/4 unc	1
DEFLECTOR FLAP			
1	<u>M100284</u>	Hanger Bracket (Deflector Flap)	4
2	<u>F040516</u>	Bolt 5/16 UNC x 1 3/4 GR8	4
3	<u>F320500</u>	Washer 5/16	10
4	<u>F210500</u>	Locknut 5/16 UNC	12
5	<u>F040512</u>	Bolt 5/16 UNC x UNC 1 1/4 GR8	10
6	<u>M100282</u>	Stiffener Bar	4
7	<u>M100283</u>	Rubber Deflector Flap	1

SECTION 8 – OPTIONS

Castor Wheel, 11 Gang Wingframe (Option)	8-01
Brush Kit (Option)	8-03
Reel Drive Guards – 5, 7, 9 & 11 Gang (Special Order)	8-05
Single Point Adjustment Reel Assembly (Option)	8-07
Slow Moving Vehicle Emblem (Option)	8-11

CASTOR WHEEL ASSEMBLY 11 GANG WINGFRAME (OPTION)

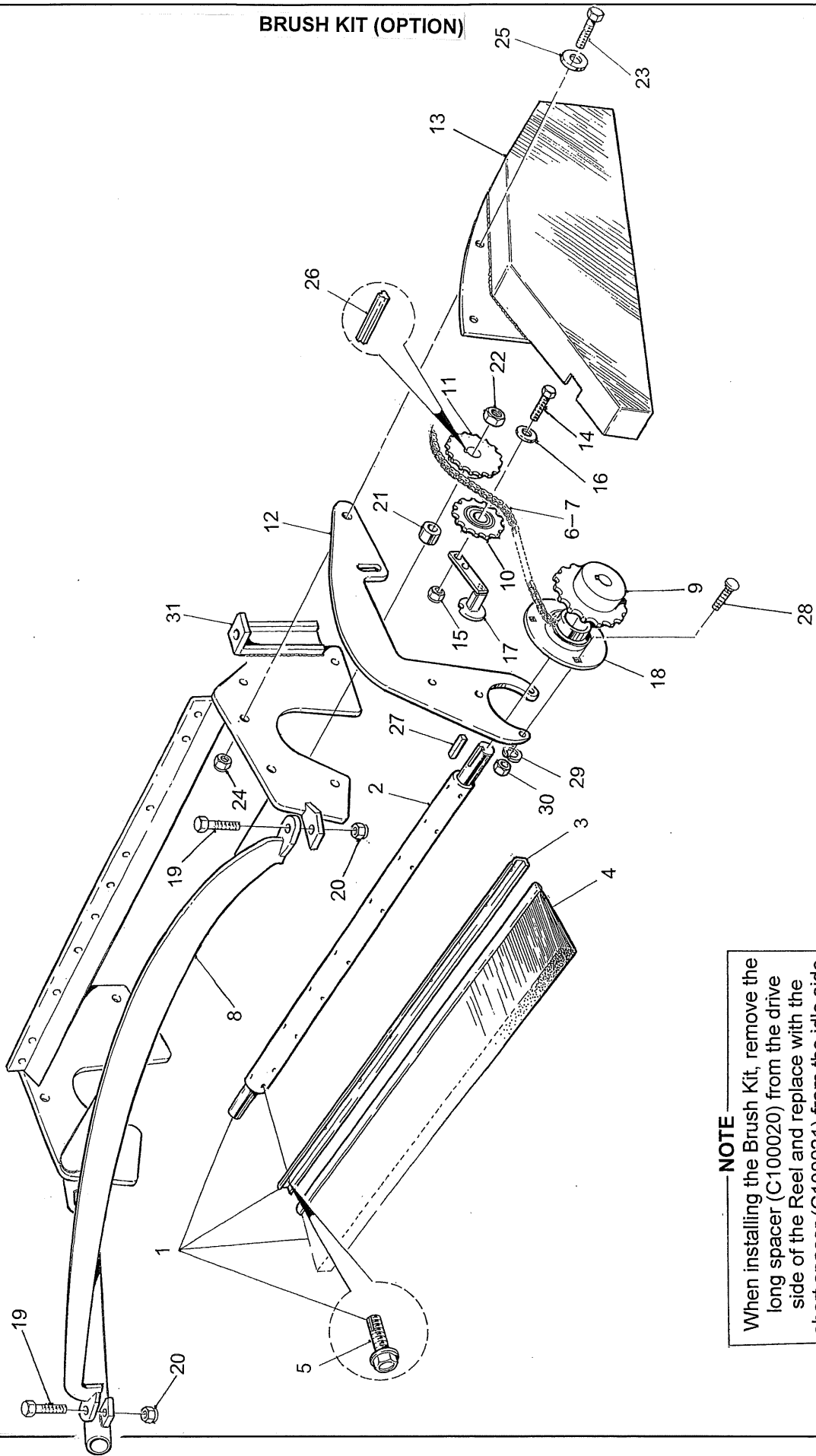


ITEM NO.	PART NO.	DESCRIPTION	QTY
CASTOR WHEEL ASSEMBLY 11 GANG WING FRAME (OPTION)			
1	<u>M300087</u>	Castor Mounting Weldt. LH	1
2	<u>M300088</u>	Castor Mounting Weldt. RH	1
3	<u>M100298</u>	Axle Spacer - Short	1
4	<u>M100297</u>	Axle Spacer - Long	1
5	<u>M300094</u>	Axle Shaft	1
6	<u>M100267</u>	Nut Bar	1
7	<u>M100271</u>	Guard	1
8	<u>M100272</u>	Retaining Collar. Spindle	1
9	<u>KB11814</u>	Flanged Bushing	2
10	<u>KM99030</u>	End Cap	2
11	<u>M300095</u>	Spindle	1
12	<u>F040506</u>	Bolt 5/16 unc x 3/8 GR8	2
13	<u>F310500</u>	Lockwasher 5/16	2
14	<u>F320500</u>	Washer 5/16	5
15	<u>F240500</u>	Clipnut 5/16 unc	1
16	<u>M100235</u>	Mounting Bracket. Guard	1
17	<u>F210500</u>	Nut 5/16 unc	2
18	<u>F040720</u>	Bolt 7/16 unc x 2 GR8	4
19	<u>F310700</u>	Lockwasher 7/16	8
20	<u>F320700</u>	Flatwasher 7/16	8
21	<u>F0F0714</u>	Bolt 7/16 unc x 1 1/2 GR8	4
22	<u>MW50008</u>	Wheel Assembly	1
23	<u>MW51008</u>	Wheel Rim	1
24	<u>MW52008</u>	Tire	1
25	<u>MW10002</u>	Bearing Cone	2
	<u>KB23006</u>	Bearing Cup	2
26	<u>M100273</u>	Spacer	2
27	<u>F040522</u>	Bolt 5/16 unc x 2 1/4 GR8	1
28	<u>F210500</u>	Nut 5/16 unc	1
29	<u>KB90008</u>	Axle Seal	2
30	<u>F221450</u>	Jam Nut 7/8 unc	2
31	<u>F010512</u>	Bolt 5/16 unc x 1 1/4 LG	1
32	<u>F310500</u>	Washer 5/16	1
33	<u>F230500</u>	Nut 5/16 unc	1

NOTE

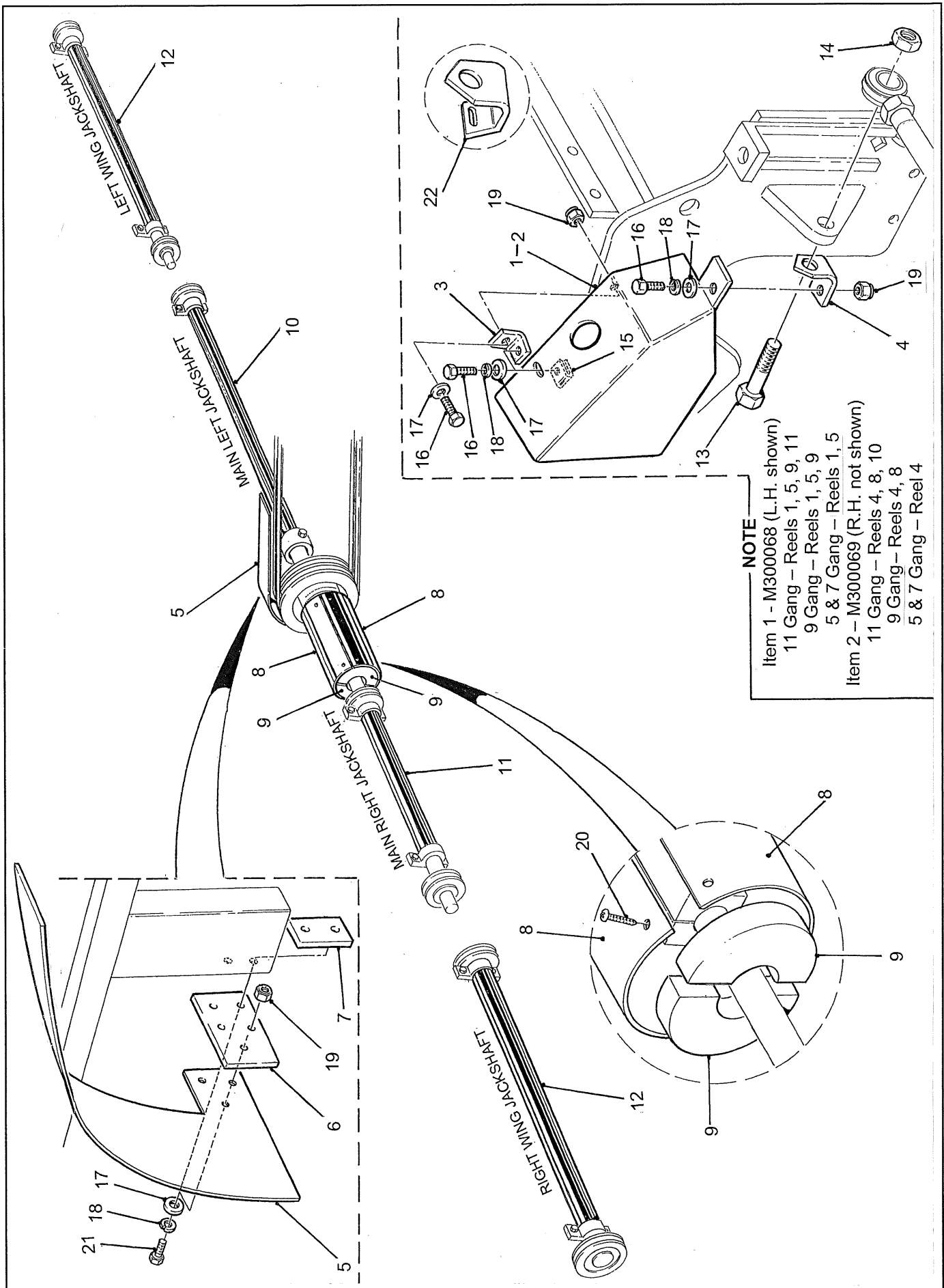
Items 25 & 29 are available
as Castor Wheel Service Kit
- MW90002.

BRUSH KIT (OPTION)



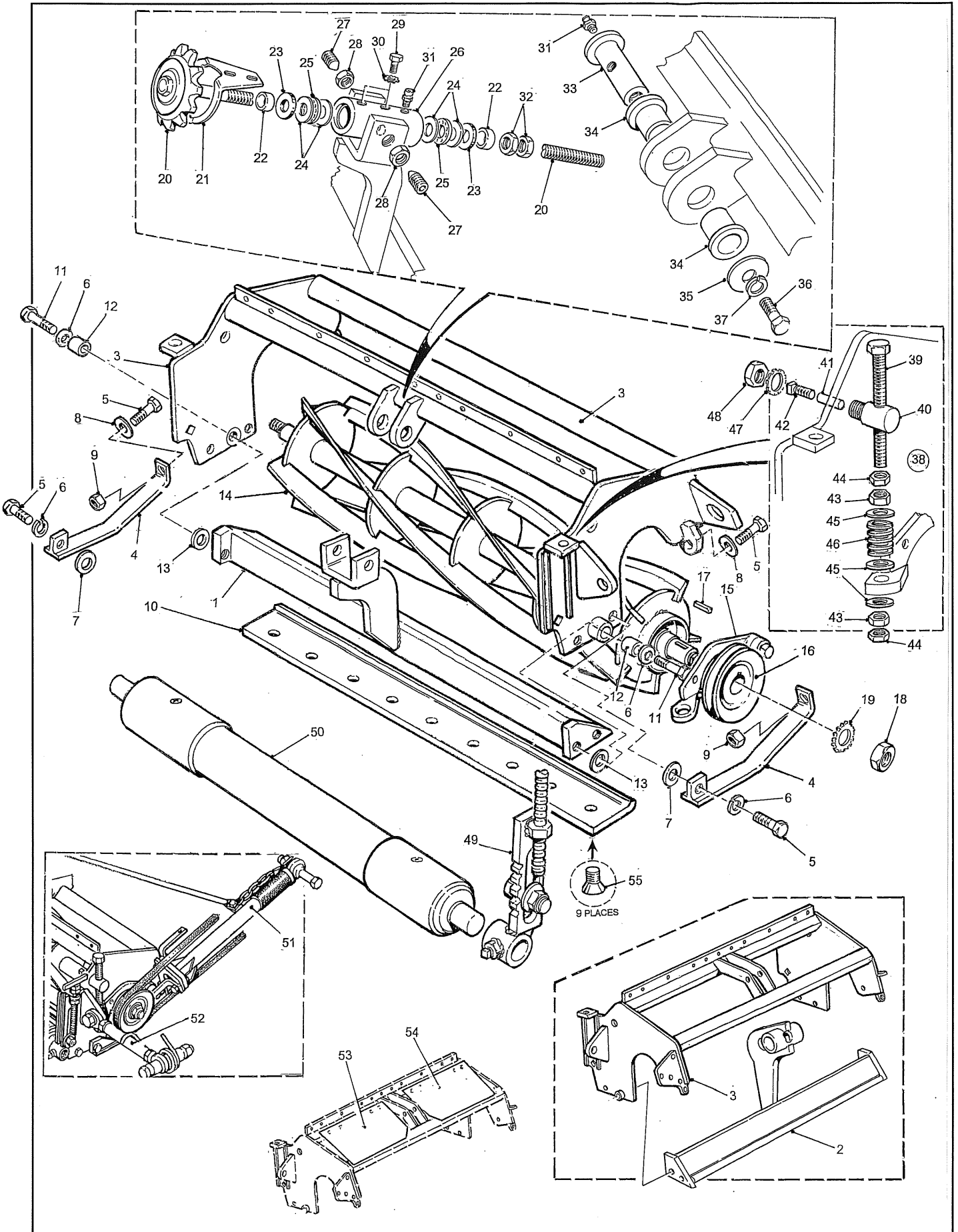
NOTE
When installing the Brush Kit, remove the long spacer (C100020) from the drive side of the Reel and replace with the short spacer (C100021) from the idle side.

ITEM NO.	PART NO.	DESCRIPTION	QTY
BRUSH KIT (OPTION)			
	<u>C500057</u>	Brush Kit Assembly LH/RH	1
1	<u>C500056</u>	Brush Shaft Assembly	1
2	<u>C300022</u>	Brush Shaft	1
3	<u>C100078</u>	Brush Holder Bar	6
4	<u>C100131</u>	Brush	6
5	<u>F190404</u>	Screw 1/4 unc x 1/2 HX	48
6	<u>C100087</u>	#40 Chain. Brush Drive	2 1/2 feet per reel
7	<u>KD71000</u>	#40 Chain Connector Links. Brush Drive	A/R
8	<u>C300023</u>	Tie Rod	1
9	<u>KD72507</u>	Sprocket (Brush)	1
10	<u>KD71705</u>	Sprocket (Idler)	1
11	<u>KD71607</u>	Sprocket (Drive)	1
12	<u>C100070</u>	Holder	2
13	<u>C300035</u>	Drive Guard. LH.	1
	<u>C300036</u>	Drive Guard. RH.	1
14	<u>F040512</u>	Bolt 5/16 unc x 1 1/4 Gr.8	1
15	<u>F210500</u>	Locknut 5/16	1
16	<u>F320500</u>	Flatwasher 5/16	1
17	<u>C100086</u>	Tensioner	1
18	<u>KB32014</u>	Flanged Bearing	1
19	<u>F040714</u>	Bolt 7/16 unc x 1 1/2 Gr.8	ref
20	<u>F210700</u>	Locknut 7/16	ref
21	<u>C100021</u>	Spacer - Short	ref
22	<u>F221250</u>	Jam Nut 3/4 unf	ref
23	<u>F040714</u>	Bolt 7/16 unc x 1 1/2 Gr.8	2
24	<u>F210500</u>	Locknut 7/16	2
25	<u>F320700</u>	Flatwasher 7/16	2
26	<u>C100088</u>	Step Key 3/16 x 1/4 x 13/16 Lg.	1
27	<u>F924416</u>	Key 1/4 x 1/4 x 1 3/4	1
28	<u>F020506</u>	Carriage Bolt 5/16 unc x 3/4	3
29	<u>F310500</u>	Lockwasher 5/16	3
30	<u>F230500</u>	Nut 5/16	3
31	<u>C300010</u>	Reel Frame (No. 1, 3 & 7)	3
	<u>C300011</u>	Reel Frame (No. 2 & 6)	2
	<u>C300012</u>	Reel Frame (No. 4)	1
	<u>C300013</u>	Reel Frame (No. 5)	1
	<u>C300014</u>	Reel Frame (No. 8 & 10)	2
	<u>C300015</u>	Reel Frame (No. 9 & 11)	2



REEL DRIVE GUARDS 5, 7, 9, 11 GANG
(special order)

ITEM NO.	PART NO.	DESCRIPTION	QTY
REEL DRIVE GUARDS 5, 7, 9, 11 GANG (special order)			
1	<u>M300068</u>	Guard. Reel Pulley. 11 Gang LH (Reel No. 1, 5, 9, 11)	4
		Guard. Reel Pulley. 9 Gang LH (Reel No. 1, 5, 9)	3
		Guard. Reel Pulley. 5 & 7 Gang LH (Reel No. 1, 5)	2
	<u>M300153</u>	Guard. Reel Pulley. 11 Gang LH (Reel No. 1, 5, 9, 11) - 10 in. Reel	4
		Guard. Reel Pulley. 9 Gang LH (Reel No. 1, 5, <u>9</u>) - 10 in. Reel	3
		Guard. Reel Pulley. 5 & 7 Gang LH (Reel No. 1, 5) - 10 in. Reel	2
2	<u>M300069</u>	Guard. Reel Pulley. 11 Gang RH (Reel No. 4, 8, 10) (not shown)	3
		Guard. Reel Pulley. 9 Gang RH (Reel No. 4, 8) (not shown)	2
		Guard. Reel Pulley. 5 & 7 Gang RH (Reel No. 4) (not shown)	1
2	<u>M300154</u>	Guard. Reel Pulley. 11 Gang RH (Reel No. 4, 8, 10) - 10 inch Reel	3
		Guard. Reel Pulley. 9 Gang RH (Reel No. 4, 8) - 10 in. Reel	2
		Guard. Reel Pulley. 5 & 7 Gang RH (Reel No. 4) - 10 in. Reel	1
3	<u>M100231</u>	Mounting Bracket. Reel Pulley Guard. Front	7
4	<u>M100229</u>	Mounting Bracket. Reel Pulley Guard. Rear LH.	3
	<u>M100230</u>	Mounting Bracket. Reel Pulley Guard. Rear RH.	4
5	<u>M100243</u>	Guard. Rear Jackshaft Drive Belt	1
6	<u>M100244</u>	Mounting Bracket. Rear Jackshaft Drive Belt Guard	1
7	<u>M100245</u>	Nut Bar. Belt Guard. Mounting Bracket	1
8	<u>M100179</u>	Coupler. Half Tube	2
9	<u>M100180</u>	Coupler. Half Ring	4
10	<u>M100181</u>	Tube. Main Left	1
11	<u>M100182</u>	Tube. Main Right	1
12	<u>M100183</u>	Wing Tube	2
13	<u>F071220</u>	Bolt 3/4 unf x 2	1
14	<u>F231250</u>	Jam Nut 3/4 unf	1
15	<u>F240500</u>	Clip Nut 5/16 unc	7
16	<u>F040506</u>	Bolt 5/16 unc x 3/4 Gr.8	16
17	<u>F320500</u>	Flatwasher 5/16 unc	43
18	<u>F310500</u>	Lockwasher 5/16 unc	2
19	<u>F210500</u>	Locknut 5/16 unc	17
20	<u>F750210</u>	Screw #10 unc x 1 Pan Hd.	8
21	<u>F040510</u>	Bolt 5/16 unc x 1 Gr.8	3
22	<u>M100287</u>	Mounting Bracket. Reel Pulley Guard. LH 10in.	4
	<u>M100288</u>	Mounting Bracket. Reel Pulley Guard. RH 10in.	3

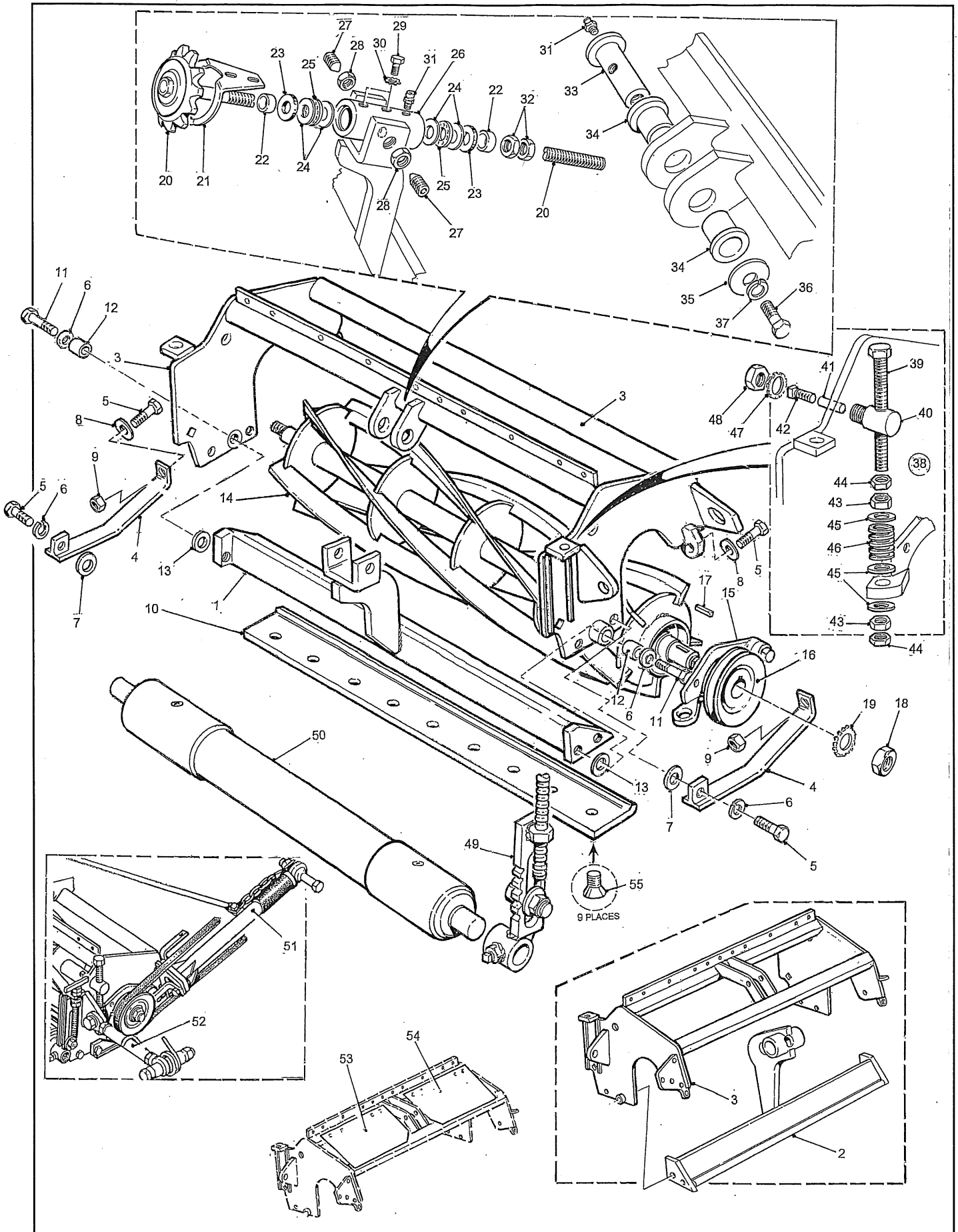


SINGLE POINT ADJUSTMENT REEL ASSEMBLY (OPTION)

ITEM NO.	PART NO.	DESCRIPTION	QTY
SINGLE POINT ADJUST REELS. (OPTION)			
1	<u>C300087</u>	Bedknife Holder. Rear Reel	1
	<u>C300123</u>	Bedknife Holder - 10 in. Option. Rear Reel	1
2	<u>C300099</u>	Bedknife Holder. Front Reel	1
	<u>C300122</u>	Bedknife Holder - 10 in. Option. Front Reel	1
3	<u>C300088</u>	Reel Frame. Front. Reels No 3 & 7	2
	<u>C300089</u>	Reel Frame. Front. Reels No 2 & 6	2
	<u>C300090</u>	Reel Frame. Rear Reel No. 4	1
	<u>C300091</u>	Reel Frame. Rear Reel No. 5	1
	<u>C300092</u>	Reel Frame. Rear Reels No. 8 & 10	2
	<u>C300093</u>	Reel Frame. Rear Reels No. 9 & 11	2
	<u>C300094</u>	Reel Frame. Rear Reel No. 1	1
4	<u>C300095</u>	Skid Shoe	2
5	<u>F040710</u>	Bolt 7/16 UNC x 1 GR8	4
6	<u>F320700</u>	Flatwasher 7/16	6
7	<u>F380700</u>	Shim Washer 7/16 (Skid Shoe)	A/R
8	<u>F380120</u>	Washer (Special Nickle Plated)	2
9	<u>F210700</u>	Locknut 7/16	2
10	<u>C200001</u>	Bedknife Blade	1
11	<u>C100208</u>	Pivot Bolt - Bedknife	2
12	<u>C100221</u>	Pivot Bushing - Bedknife	2
13	<u>F380700</u>	Shim Washer 7/16 - Bedknife	2
14	<u>C400001</u>	Reel Cylinder - 5 Blade. (See Page 6. Section 1)	1
	<u>C400002</u>	Reel Cylinder - 6 Blade	1
	<u>C400004</u>	Reel Cylinder - 7 Blade	1
	<u>C400008</u>	Reel Cylinder - 9 Blade. Option	1
15	<u>C300001</u>	Reel Bearing Holder. (See Page 5. Section 1)	2
16	<u>C400003</u>	Drive Sheave	1
17	<u>F924410</u>	Key	1
18	<u>F221250</u>	Jam Nut 3/4 UNF.	2
19	<u>F371200</u>	Lockwasher 3/4. Ext. Tooth.	2
20	<u>C500100</u>	Adjusting Handle - Rear Reel Adjusters	1
	<u>C500101</u>	Adjusting Handle - Front Reel Adjusters	1
21	<u>C100211</u>	Spring Arm	1
22	<u>C100212</u>	Spacer	2
23	<u>KB12255</u>	Seal	2
24	<u>KB12257</u>	Thrust Washer	4
25	<u>KB12256</u>	Thrust Bearing	2
26	<u>C100210</u>	Retainer - Adjusting Arm	1
27	<u>F740810</u>	Set Screw 1/2 UNC x 1 Soc. Hd. Cone Pt.	2
28	<u>F220800</u>	Jam Nut 1/2 UNC	2
29	<u>F040504</u>	Bolt 5/16 UNC x 1/2 GR8	2
30	<u>F370500</u>	Lockwasher 5/16 (Ext. Tooth)	2
31	<u>KM11400</u>	Grease Fitting	2
32	<u>F220860</u>	Jam Nut 1/2 - 20 L.H. Thread	2

NOTE

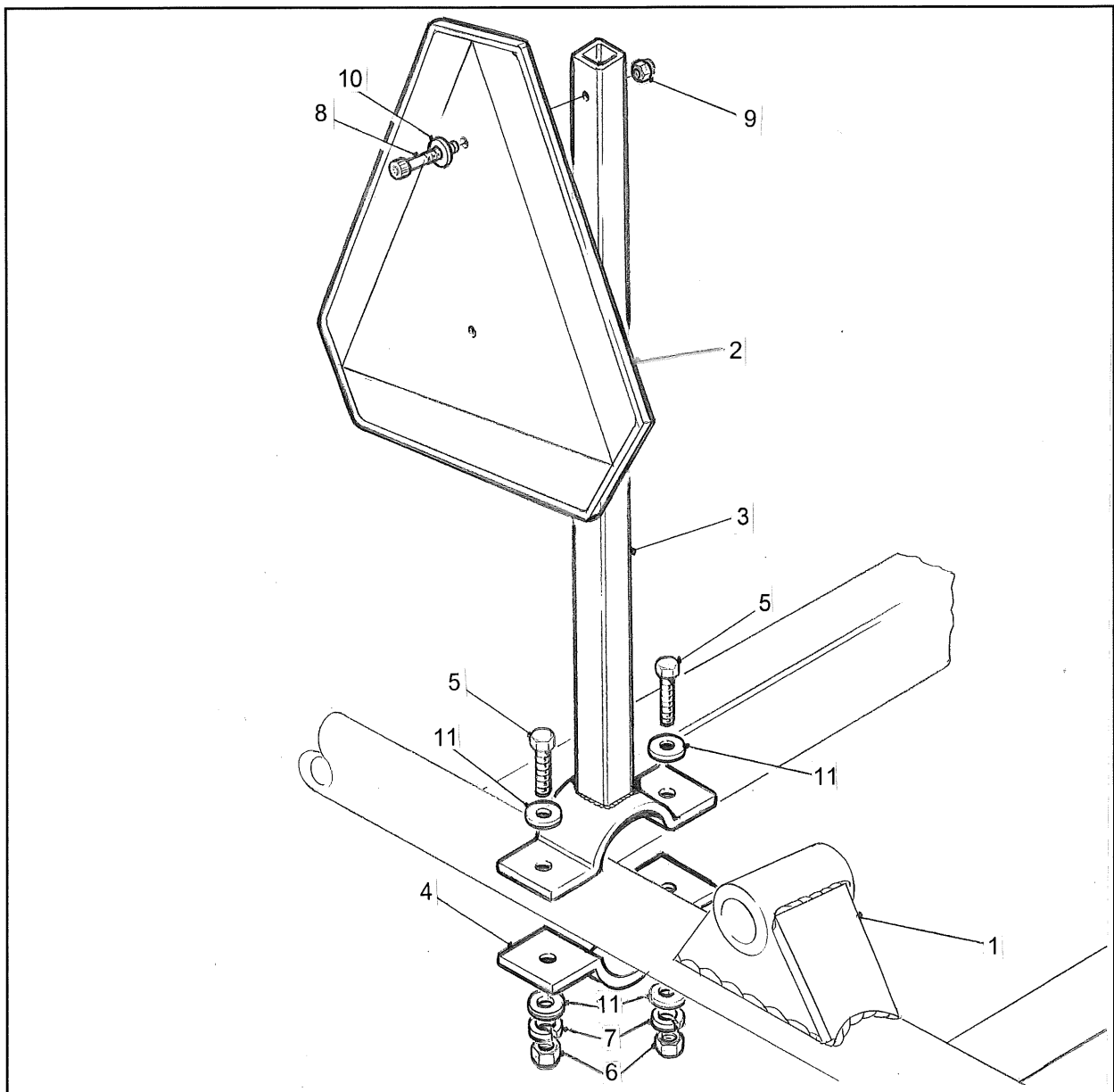
Items 20 to 32 are available as:
Single Point Adjust Assy. Rear. C500098
Single Point Adjust Assy. Front. C500102



SINGLE POINT ADJUSTMENT REEL ASSEMBLY (OPTION)

ITEM NO.	PART NO.	DESCRIPTION	QTY
SINGLE POINT ADJUST REELS. (OPTION)			
33	<u>C100207</u>	Pivot Pin - Adjusting Arm	1
34	<u>KB11618</u>	Flanged Bushing	2
35	<u>C100209</u>	Washer - Pivot Pin	1
36	<u>F040806</u>	Bolt 1/2 UNC x 3/4 GR8	1
37	<u>F310800</u>	Lockwasher 1/2	1
38	<u>C500036</u>	Reel Adjuster Assy	2
39	<u>C300008</u>	Height Adjuster Bolt	1
40	<u>C100010</u>	Adjuster Nut	1
41	<u>C100022</u>	Lock Slug	1
42	<u>F110612</u>	Set Screw 3/8 UNC x 1 1/4 SQ. HD. Cup Pt.	1
43	<u>F231050</u>	Nut 5/8 UNF	2
44	<u>F221050</u>	Jam Nut 5/8 UNF	2
45	<u>F331000</u>	Washer 5/8 SAE	3
46	<u>CS10001</u>	Spring	1
47	<u>F371200</u>	Lockwasher. 3/4 Ext. Tooth	1
48	<u>F221250</u>	Jam Nut 3/4 UNF.	1
49	<u>C500002</u>	Roller Height Adjuster. L.H. (See Page 7. Section 1)	1
	<u>C500003</u>	Roller Height Adjuster R.H.	1
50	<u>C500157</u>	Roller Assy. (See Page 7. Section 1)	1
51	<u>C500047</u>	Telescope Arm Assy (See Page 1. Section 1)	1
52	<u>C500007</u>	Tie Rod Assy. (See Page 9. Section 1)	1
53	<u>C100222</u>	Reel Guard. Front Reels. L.H.	1
54	<u>C100223</u>	Reel Guard. Front Reels. R.H.	1
55	<u>F120605</u>	Bolt 3/8 UNC x 5/8 Fl. Hd. Hex	9
NOTE			
<div style="border: 1px solid black; padding: 10px; width: fit-content; margin: auto;"> <p>For common Reel Parts: Reel Cylinders; Reel Bearing Holder; Roller Height Adjuster; Roller Assembly & Tie Rod Assembly refers to Pages 1 to 9 in Section 1 of the manual</p> </div>			

ITEM NO.	PART NO.	DESCRIPTION	QTY
SLOW MOVING VEHICLE EMBLEM (OPTION)			
1	Ref.	Mower Main Frame	1
2	<u>KM99060</u>	Slow Moving Vehicle Emblem	1
3	<u>M300112</u>	Bracket. Slow Moving Vehicle Emblem	1
4	<u>H101136</u>	Clamp	1
5	<u>F040614</u>	Bolt 3/8 unc x 1 1/2 Gr.8	2
6	<u>F230600</u>	Nut 3/8 unc	2
7	<u>F310600</u>	Lockwasher 3/8	2
8	<u>F180216</u>	Bolt #10 unc x 1 3/4 Soc. Hd.	2
9	<u>F210200</u>	Locknut #10 unc	2
10	<u>F320200</u>	Washer #10	2
11	<u>F330608</u>	Washer 3/8 Gr.8	2



SLOW MOVING VEHICLE EMBLEM (OPTION)

APPENDIX

Bondioli & Pavesi P.T.O. Shafts Distributor Parts / Service
Backlapper Assembly

9-01

9-03

BONDIOLI & PAVESI PTO SHAFTS

For parts service contact the Bondioli & Pavesi distributor in your area.

CANADA

ALBERTA

Pat's Driveline Specialty
Edmonton
780-452-2344

MANITOBA

Buffalo Industries
Winnipeg
204-942-1951

All Agro Parts
Winnipeg
204-783-3502

NEW BRUNSWICK

Maritime Farm Supply
Moncton
506-857-3134

ONTARIO

Canadian Farm Supply
Thamesford
519-285-3012

QUEBEC

Morneau & Thibodeau
Saint-Romuald
418-839-4127

SASKATCHEWAN

Nutana Machine
Saskatoon
306-242-3822

All Agro Parts
Saskatoon
306-244-5569

USA

ARKANSAS

Royal Brass & Hose
Little Rock
501-562-5054

Whites
Stuttgart
501-673-7258

CALIFORNIA

Driveline Service-Fresno
Fresno
559-266-1673

FLORIDA

Desoto Automotive
Arcadia
941-494-3920

Driveline Specialists
Ft Lauderdale
954-463-7711

Rowland Powertrain
Jacksonville
904-354-5691

Orlando Powertrain
Orlando
407-291-1441

Tampa Powertrain
Tampa
813-623-6713

Driveshaft Specialist
Sarasota
941-355-8836

Driveshaft Specialist
Tampa
813-626-6197

GEORGIA

Lovette & Tharpe
Dublin
912-272-5000

IDAHO

Six States Distributors
Boise
208-377-9393

Six States Distributors
Twin Falls
208-734-2855

ILLINOIS

Royal Brass & Hose
Benton
618-439-6341

General Truck Parts
Chicago
773-247-6900

INDIANA

Joint & Clutch Service
Indianapolis
317-634-2428

IOWA

Certified Power Train
Des Moines
515-265-9901

Inland Truck Parts
Des Moines
515-265-9901

Inland Truck Parts
Sioux City
712-255-0174

KANSAS

Diesel Specialties
Garden City
316-275-4347

Inland Truck Parts
Lenexa
913-492-7559

Precision Built Parts
Olathe
785-780-4850

Inland Truck Parts
Overland Park
785-345-9664
Inland Truck Parts
Salina
785-825-9555

Precision Built Parts
Topeka
785-235-5041

Inland Truck Parts
Wichita
316-945-0255

KENTUCKY

Royal Brass & Hose
Madisonville
502-821-8150

LOUISIANA

Talbot Welding
Labadieville
504-526-4252

Driveline of Baton Rouge
Baton Rouge
225-356-3800

MICHIGAN

The F C Mason Co
St Johns
517-224-3291

MINNESOTA

Inland Truck Parts
Eagan
651-454-1100

MISSOURI

Inland Truck Parts
Kansas City
816-471-3154

Precision Built Parts
Kansas City
816-471-1552

Best Bilt Part
Springfield
417-869-0703

Moore Equipment Co
Chillicothe
660-646-5493

MONTANA

Inland Truck Parts
Billings
406-248-7349

Cont...

NEBRASKA

Inland Truck Parts
Lincoln
402-464-9393

Inland Truck Parts
North Platte
308-532-4188

Inland Truck Parts
Omaha
402-331-1222

NEW HAMPSHIRE

RN Johnson
Walpole
603-756-3321

NEW YORK

Universal Joint Sales
Cheektowaga
716-895-1111

Universal Joint Sales
Rochester
716-464-8584

Universal Joint Sales
Syracuse
315-475-6779

NORTH CAROLINA

Joint & Clutch Service
Charlotte
704-334-6883

NORTH DAKOTA

Grand Forks Welding
Grand Forks
701-772-4866

OHIO

Heavy Duty Parts
Cincinnati
513-874-3680

OKLAHOMA

Inland Truck Parts
Tulsa
918-663-7430

OREGON

Driveline Service-Portland
Portland
503-289-2264

PENNSYLVANIA

Paul B Zimmerman Inc
Lititz
717-738-7350

SOUTH CAROLINA

Cline Mobile Products
Greenville
864-271-0404

TENNESSEE

Royal Brass & Hose
Knoxville
423-558-0224

Riverside Tractor Parts
Memphis
901-948-5534

TEXAS

Inland Truck Parts
Dallas
214-638-6371

Whites
Houston
713-928-2632

A&M Farm & Tractor
Supply
McAllen
956-630-1985

Driveline Express
Lubbock
806-762-5896

UTAH

Six States Distributors
Ogden
801-627-1024

Six States Distributors
Orem
801-224-1155

Six States Distributors
Salt Lake City
801-488-4666

Six States Distributors
St George
801-673-9620

VIRGINIA

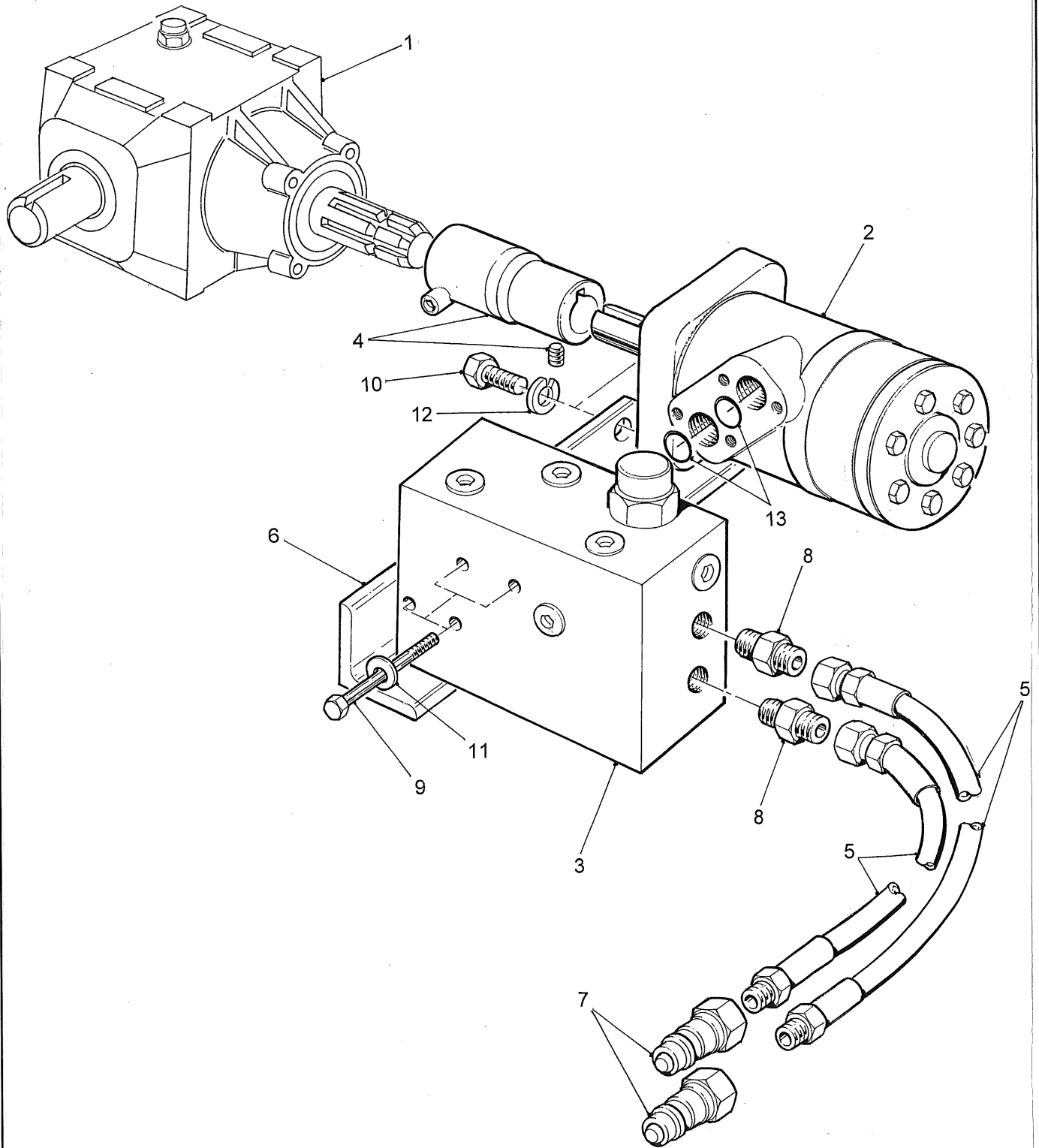
Eddcor
Chesapeake
757-487-3783

Uteco
Richmond
804-266-7807

WASHINGTON

Six States Distributors
Spokane
509-535-7671

Six States Distributors
Pasco
509-545-4217



HYDRAULIC BACKLAPPER ASSEMBLY

ITEM NO.	PART NO.	DESCRIPTION	QTY
HYDRAULIC BACKLAPPER ASSEMBLY			
	<u>M500077</u>	Hydraulic Backlapper Assembly	1
1	Ref.	Gearbox	1
2	<u>KH30007</u>	Hydraulic Motor	1
	<u>KH70054</u>	Seal Kit. Hydraulic Motor	1
3	<u>M500076</u>	Manifold. Flow Divider	1
4	<u>KD85030</u>	Pump Adapter	1
5	<u>M500075</u>	Hose Assembly	2
6	<u>M100364</u>	Anti-Rotation Stop	1
7	<u>MH10004</u>	Quick Disconnect. Male	2
8	<u>8-8-070120</u>	Fitting. No. 8 Tube to No. 8 'O' Ring Connector	2
9	<u>F040532</u>	Bolt 5/16 unc x 3 1/4 Gr.8	4
10	<u>F040610</u>	Bolt 3/8 unc x 1 Gr. 8	2
11	<u>F320500</u>	Flatwasher 5/16	4
12	<u>F310600</u>	Lockwasher 3/8	2
13	<u>KO00275</u>	'O' Ring	2
NOTE			
The following Reel Sharpening Compounds are available:			
<u>KL00301</u> Reel Sharpening Compound 80 Grit. 10 lb.			
<u>KL00302</u> Reel Sharpening Compound 80 Grit. 25 lb.			
<u>KL00311</u> Reel Sharpening Compound 120 Grit. 10 lb.			
<u>KL00312</u> Reel Sharpening Compound 120 Grit. 25 lb.			
<u>KL00321</u> Reel Sharpening Compound 180 Grit. 10 lb.			
<u>KL00322</u> Reel Sharpening Compound 180 Grit. 25 lb.			
<u>KL00331</u> Reel Sharpening Compound 50 Grit. 10 lb.			
<u>KL00332</u> Reel Sharpening Compound 50 Grit. 25 lb.			



Kesmac Inc.

23324 Woodbine Avenue, Keswick Ontario Canada L4P 0N1

Tel (905) 476-6222 Fax (905) 476-6744

Web Site www.brouwerkesmac.com Email info@kesmac.com