

BROUWER

TEXTRON

TURF ROLLER

Model TR130

Starting Serial No. 1001

Owner / Operator's Manual

and

Illustrated Parts List



BROUWER

289 N. Kurzen Rd., PO Box 504, Dalton, OH 44618

Tel. (330) 828-0200 Fax. (330) 828-1008

Date of Purchase: Month _____ Day _____ Year _____

Dealer Name _____ Phone _____

Serial Number _____

Model Number _____

ALWAYS GIVE MODEL AND SERIAL NUMBER WHEN ORDERING SERVICE PARTS



Brouwer Division of Textron Inc.

TABLE OF CONTENTS

INTRODUCTION	SECTION 1	page
Specifications		1-1
Description		1-1
SAFETY	SECTION 2	
General Safety		2-1
Operator Safety		2-1
PRE-START INSTRUCTIONS	SECTION 3	
Starting Instructions.....		3-1
Specifications for Fuels and Oils		3-2
OPERATION	SECTION 4	
Controls		4-1
Operating Precautions.....		4-1
Freewheel Control		4-2
SERVICE	SECTION 5	
Service Schedule		5-1
PARTS	SECTION 6	
Figure 1 - Engine and Drive Parts		6-1
Figure 2 - Hydrostatic Drive Parts		6-3
Figure 3 - Front Roller Parts.....		6-5
Figure 4 - Sprocket Assembly Parts.....		6-7
Figure 5 - Decals		6-9
WARRANTY.....		last page

DESCRIPTION

The Turf Roller TR130 is the compact roller that is easy to operate and transport - to get that rolling job done quickly. It has the dual fill / drain plugs and special rounded-edge design roller to prevent turf damage and a large rear support roller.

SPECIFICATIONS

Model TR130 Turf Roller

Dimensions:

Overall length	_____	51 in. (130 cm)
Overall width	_____	33-1/2 in. (85 cm)
Overall height	_____	40 in. (102 cm)
Weight	_____	Empty 425 lbs.
		(193.kg)
		Loaded 840 lbs.
		(381 kg)
Drum Size	_____	24 in. diameter (61 cm)
		30 in. wide (76 cm)

Engine:

Honda _____ 5-1/2 HP

Drive Train:

Speed	_____	0 - 4.2 MPH
Transmission	_____	Hydrostatic

ATTENTION: This symbol identifies potential health and safety hazards. It marks safety precautions.



ATTENTION: Your safety and the safety of others is involved.

BE ALERT!

SIGNAL WORD DEFINITIONS



DANGER

Indicates an imminently hazardous situation which, if not avoided, will result in death or serious injury. This signal word is limited to the most extreme cases.



WARNING

Indicates a potentially hazardous situation which, if not avoided, could result in death or serious injury.



CAUTION

Indicates a potentially hazardous situation which, if not avoided, may result in minor or moderate injury and/or property damage. It may also be used to alert against unsafe practices.

GENERAL SAFETY

- Read and understand the owner's manual, before attempting to operate this machine.
- Operate all controls from the operator's seat, (if so equipped). **NO RIDERS.**
- Keep all shields in place and safety switches adjusted properly.
- Do not leave equipment unattended. STOP the engine and remove the key (if so equipped).
- Do not allow minors or the inexperienced to operate this machine.
- Keep people and pets a safe distance away from machines using power driven attachments. Injury could result from flying debris.

OPERATING SAFETY



CAUTION

- Do not run engine at excessive speeds.
- Do not operate the turf roller unless the chain and engine guards are securely in place.
- To maintain control of the machine, use only a low speed while walking beside the turf roller.
- Exercise caution when operating across the side of a hill. If the hill is too steep (20 degree incline or more), the machine may tip over causing personal injury and machine damage. Always walk on the up--hill side of the turf roller when operating on the side of a hill.
- To prevent accidental movement of the machine, turn the engine off.
- When parking or unattended -- turn the engine off to prevent movement of the roller.

BEFORE STARTING:

1. READ SAFETY DECALS
2. Check engine and hydrostatic transmission oil levels.
3. Visually check for loose or missing parts or bolts.
4. Fill with clean fuel.

STARTING INSTRUCTIONS:

1. Turn the fuel valve to the ON position.
2. Move the choke lever to the CLOSE position.
NOTE: The choke may not be needed if the engine is warm.
3. Move the throttle lever slightly to the left.
4. Turn the engine switch to the ON position.
5. Pull the recoil starter grip lightly until resistance is felt, then pull briskly. NOTE: Do not allow the starter grip to snap back against the engine.
6. As the engine warms up, gradually move the choke lever to the OPEN position.
7. Position throttle for the desired engine speed.



NEVER USE ETHER AS A STARTING AID, OR SEVERE DAMAGE TO ENGINE MAY OCCUR.



NEVER FILL FUEL TANK WITH ENGINE RUNNING!

SPECIFICATIONS FOR FUELS AND OILS

ENGINE OIL

Fill the crankcase with oil that meets API service designation SF, SF/CC, or SF/CD. Do not mix brands or grades of oil. Recommended weight for general all temperature use is:

SAE 10W-30 or SAE 10W-40

FUEL

Use clean, fresh, regular or unleaded fuel. Use of unleaded fuel results in less maintenance.

HYDRAULIC OIL

Fill hydrostatic transmission reservoir to the safe level with approved hydraulic oil. Use only Steiner Trans-Hydraulic Oil or TRC 6440 Universal Torque Fluid. Do not use automatic transmission fluid, multi-grade motor oil, or any other type of hydraulic oil.

NOTE:

USE ONLY STEINER TRANS-HYDRAULIC OIL OR TRC 6440 UNIVERSAL TORQUE FLUID. THE USE OF ANY OTHER OIL MAY VOID WARRANTY AND IS NOT RECOMMENDED.

Operating Instructions

ENGINE

The Brouwer Turf Roller is equipped with a 5--1/2 HP engine.

Complete details and operation instructions can be found in the engine manufacturer's manual.

LOCATION OF CONTROLS

The hydrostatic drive control is located on the left side of the steering column.

The freewheel control crank is located on the front of the hydrostatic air duct.

STARTING THE ENGINE

For complete engine starting and stopping procedures, see the engine manual.

CAUTION Always start the engine with the hydrostatic drive lever in neutral. Failure to observe this precaution could result in serious personal injury and/or machine damage.

CONTROL OPERATIONS

Hydrostatic drive control:

This control governs the travel direction (forward or reverse) and travel speed of your turf roller. (See Drawing 1)

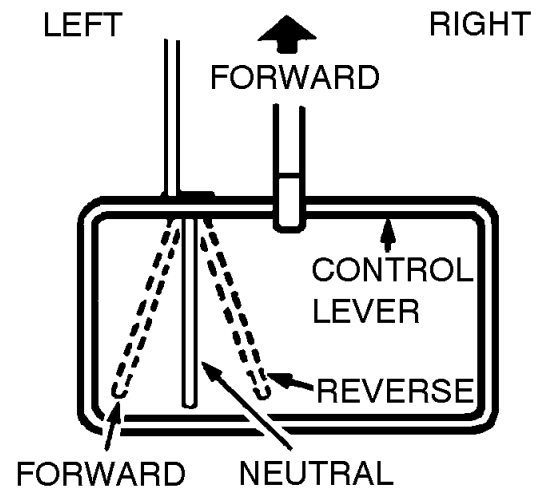
To move forward, move lever to the left from neutral. The further the lever is moved, the faster the forward travel speed.

To reverse, move the lever to the right from neutral. The further the lever is moved, the faster the reverse travel speed.

CAUTION When the engine is running and the control lever is in neutral, the machine can roll if left unattended. Personal injury or machine damage may result.

Always use a slow steady movement when moving the control lever from neutral to forward or reverse so that the machine will not leap forward or reverse -- not only for the safety of the operator, but also to prevent damage to the machine.

Abrupt movement of the hydrostatic control lever can cause the rear roller to lift. Shift slowly to avoid injury.



Drawing 1 - Forward - Reverse Control

ENGINE SPEED CONTROL

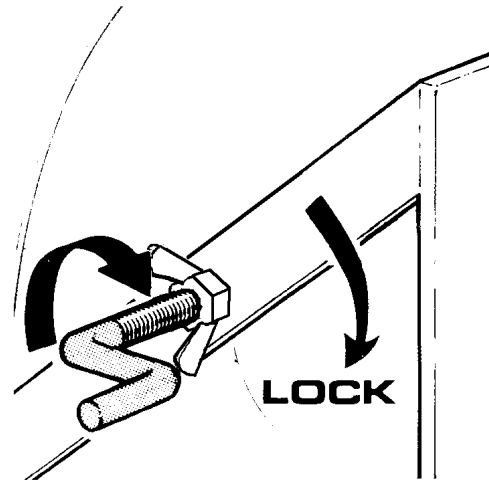
This control is located on the engine. Set engine speed between 2/3 and full throttle as desired. For operation, see the engine manual.

⚠ CAUTION Running engine at low throttle settings could cause hydrostatic transmission damage due to inadequate cooling air flow.

FREEWHEEL CONTROL

The freewheel control allows the turf roller to be moved by external means when the engine has been shut off. Release the crank lock and turn the freewheel control crank clockwise to engage the freewheel and turn counter clockwise to disengage the freewheel. Re-lock the control crank with the crank lock. (See Drawing 2)

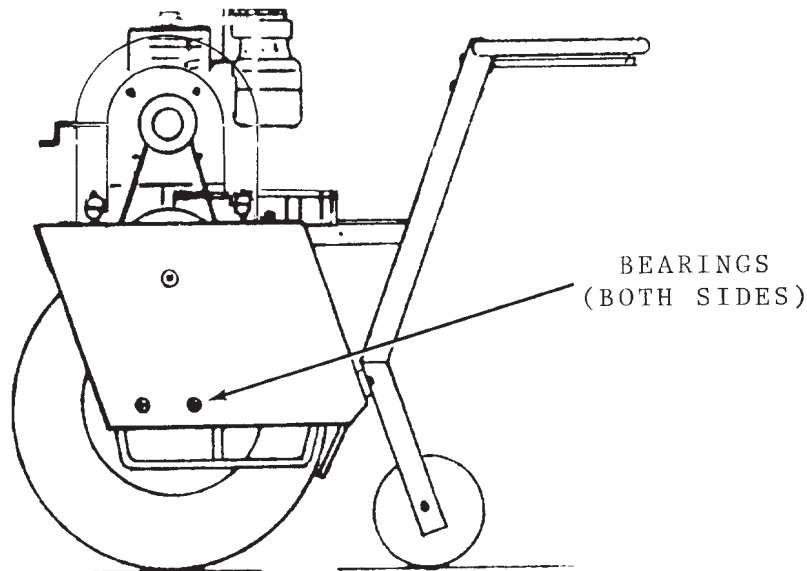
⚠ CAUTION Do not activate the freewheel control when the turf roller is stopped on an incline or when the engine is running.



Drawing 2 - Freewheel Control

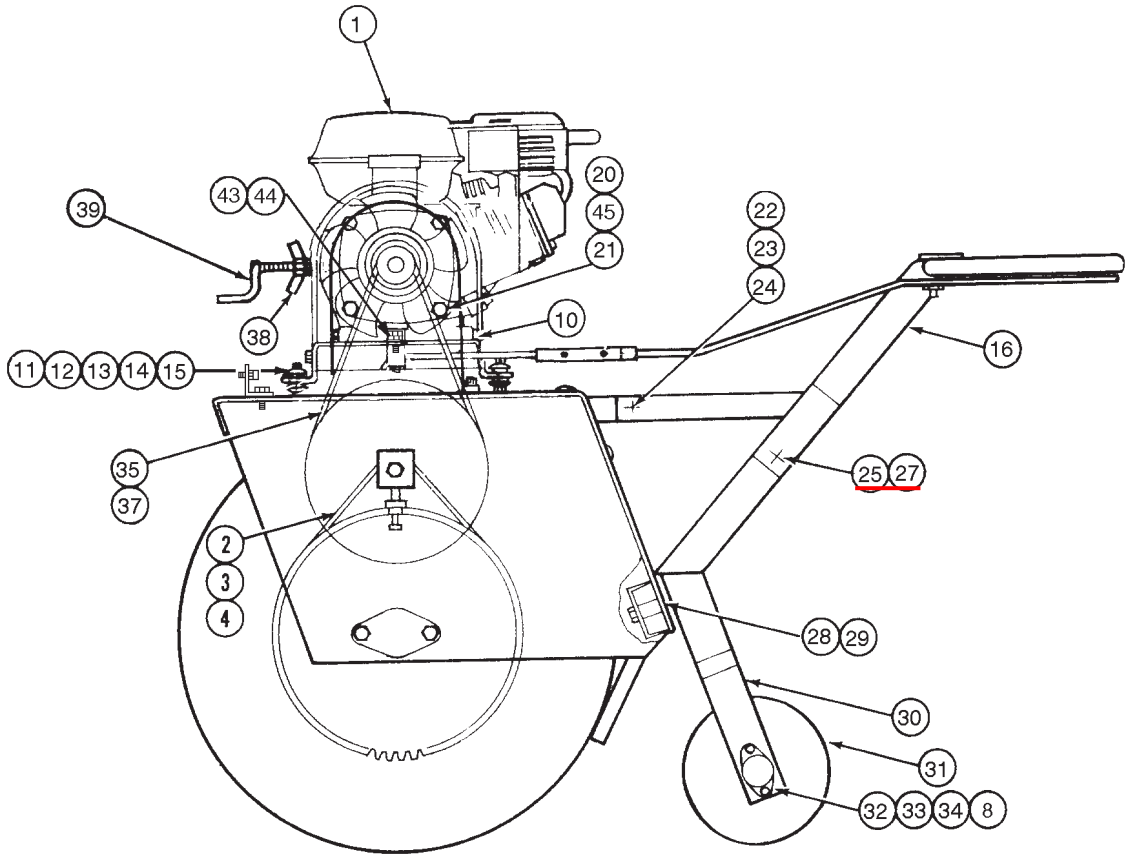
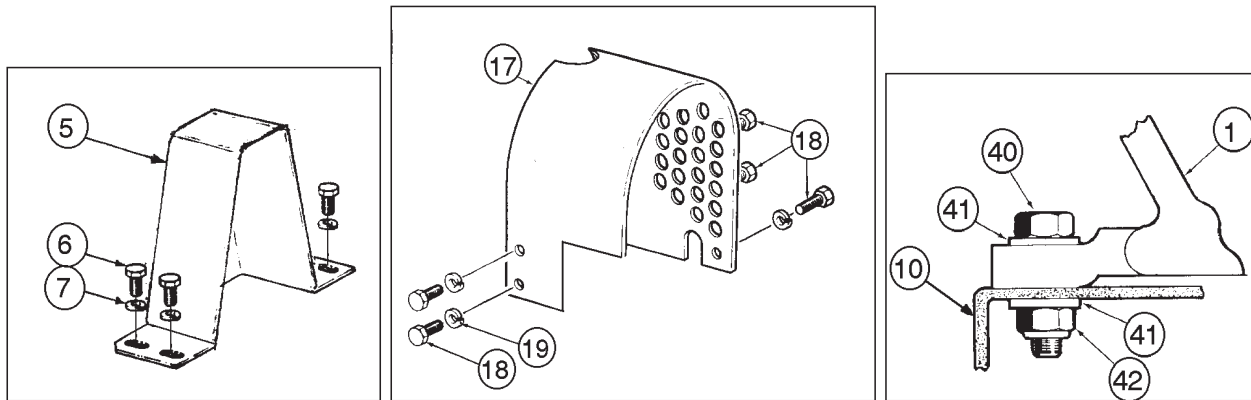
PERIODIC MAINTENANCE

- Check the hydrostatic drive oil level daily. Make sure the oil is at the correct level for hot or cold. Markings for hot or cold levels are located on the breather level indicator.
- To fill the expansion tank, unscrew the reservoir breather cap. After filling to the correct level, replace the cap. If additional oil is required, use only Steiner Trans-Hydraulic Oil or TRC 6440 Universal Torque Fluid. Do not use automatic transmission fluid, multi-grade motor oil, or any other type of hydraulic oil. Change hydraulic oil annually.
- Grease the turf rollers with Lithium-based grease every 50 hours or monthly (whichever occurs first). (See lubrication chart below)
- DO NOT GREASE CHAINS. Lubricate chains with SAE 10W-30 motor oil every 30 hours or weekly (whichever occurs first).
- Change engine oil every 100 hours of operation or bi-monthly, whichever occurs first. Use SAE 10W-30 or SAE 10W-40 with API service designation of SF, SF/CC, or SF/CD.



Drawing 3 - Lubrication Chart

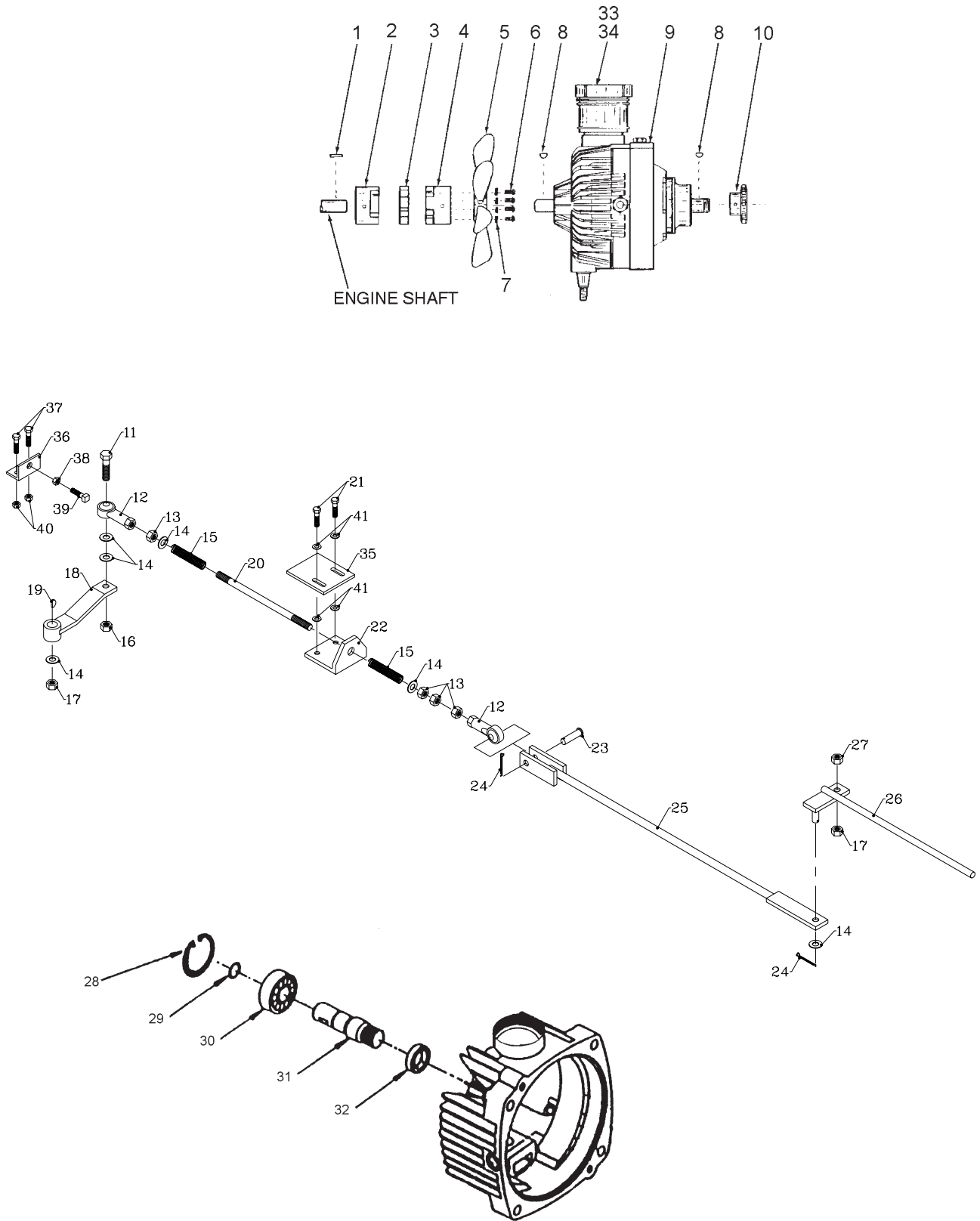
Engine and Drive
Parts
Figure 1



Parts List for Figure 1

Ref	Part no.	Description	Quantity
1	<u>M5268</u>	ENGINE, HONDA 5.5 HP	1
2	<u>115013</u>	CHAIN, ROLLER #50 X 47-1/4" LG	1
3	<u>81-055</u>	HALF LINK, #50	1
4	<u>81-053</u>	CONNECTOR LINK, #50	1
5	<u>301686</u>	GUARD, CHAIN	1
6	<u>99-K02</u>	FLANGE BOLT, 5/16 X 1	4
7	<u>94-05</u>	FLAT WASHER, 5/16 USS	12
8	<u>95-04</u>	FLAT WASHER, 1/4 SAE	8
10	<u>301429</u>	MOUNT, ENGINE	1
11	<u>E5728</u>	BOLT, 1/2 X 4 GR 5 FULL THREAD	4
12	<u>301723</u>	WASHER, FLAT CUPPED	8
13	<u>M5221</u>	MOUNT, RUBBER 7/16 ID 1-3/8 OD	8
14	<u>E5012</u>	LOCKNUT, 1/2 NYLON JAM	4
15	<u>99-F10</u>	JAM NUT, 1/2	4
16	<u>350003</u>	HANDLEBAR WELDMENT	1
17	<u>350022</u>	DUCT, AIR	1
18	<u>90-0606</u>	BOLT, 3/8 X 3/4 (SERIAL NO. <u>1001-1398</u>)	6
	<u>99-K26</u>	BOLT, FLANGE 1/4 X 3/4 (SERIAL NO. 1399-)	5
19	<u>96-06</u>	LOCK WASHER, 3/8 (SERIAL NO. <u>1001-1398</u>)	6
20	<u>90-0624</u>	BOLT, 3/8 X 3	4
21	<u>99-F40</u>	LOCKNUT, NYLON 3/8	4
22	<u>90-0508</u>	BOLT, 5/16 X 1	2
23	<u>95-05</u>	FLAT WASHER, 5/16 SAE	2
24	<u>99-F12</u>	FLANGE NUT, 5/16	2
25	<u>90-0820</u>	BOLT, 1/2 X 2-1/2	2
27	<u>99-F41</u>	LOCKNUT, NYLON 1/2	2
28	<u>90-0822</u>	BOLT, 1/2 X 2-3/4	2
29	<u>96-08</u>	LOCK WASHER, 1/2	2
30	<u>301505</u>	FRAME WELDMENT, FORK	1
31	<u>301522</u>	ROLLER, 8"	1
32	<u>B0002</u>	BEARING, FLANGE 5/8 SET SCREW	2
33	<u>90-0416</u>	BOLT, 1/4 X 2	4
34	<u>99-F39</u>	LOCKNUT, NYLON 1/4	4
35	<u>114025</u>	CHAIN, ROLLER: #40 X 42" LG	1
37	<u>81-056</u>	CONNECTOR LINK, #40	1
38	<u>99-F18</u>	WING NUT, 3/8	1
39	<u>301690</u>	CRANK, FREE WHEEL	1
40	<u>90-0512</u>	BOLT, 5/16 X 1-1/2	4
41	<u>94-05</u>	FLAT WASHER, 5/16 USS	8
42	<u>99-F38</u>	LOCKNUT, NYLON 5/16	4
43	<u>90-0610</u>	BOLT, 3/8 X 1-1/4	1
44	<u>92-06</u>	NUT, 3/8	1
45	<u>95-06</u>	FLAT WASHER, 3/8 SAE	4

Hydrostatic Drive
Parts
Figure 2



Parts List for Figure 2

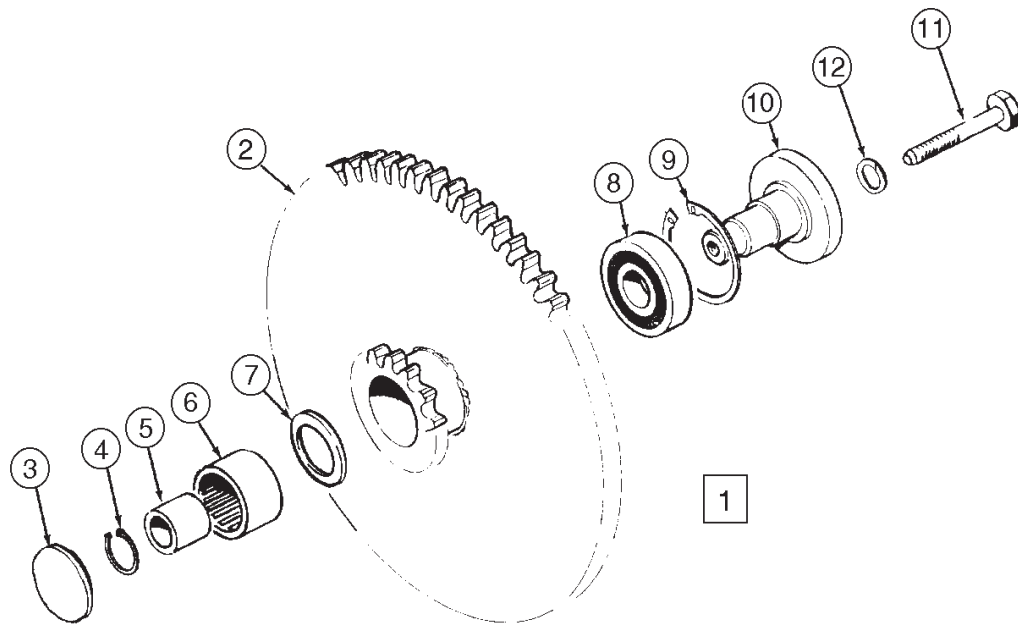
<u>Ref</u>	<u>Part no.</u>	<u>Description</u>	<u>Quantity</u>
1	<u>85-K0312</u>	KEY, SQ. 3/16 X 3/16 X 1-1/2 (C/W ENGINE)	1
2	<u>301656</u>	COUPLING, HALF	1
3	<u>87-021</u>	INSERT, JS4U BROWNING	1
4	<u>301456</u>	COUPLING, HALF	1
5	<u>301748</u>	FAN, 7" OD	1
6	<u>01-043</u>	SCREW, MACHINE <u>10-24</u> X 3/8	4
7	<u>F0080</u>	WASHER, #10 SHAKEPROOF	4
8	<u>85-W0204</u>	KEY, WOODRUFF 1/8 X 1/2	2
9	<u>D8011</u>	HYDROSTATIC TRANSMISSION	1
*	<u>21-990314</u>	SEAL KIT	1
10	<u>301457</u>	DRIVE SPROCKET	1
11	<u>90-0610</u>	BOLT, 3/8 X 1-1/4	1
12	<u>43-006A</u>	ROD END, 3/8	2
13	<u>93-06</u>	NUT, 3/8-24 NF	4
14	<u>95-06</u>	FLAT WASHER, 3/8 SAE	6
15	<u>41-065</u>	SPRING, COMPRESSION	2
16	<u>99-F13</u>	FLANGE NUT, 3/8	1
17	<u>99-F40</u>	LOCKNUT, NYLON 3/8	1
18	<u>350014</u>	ARM WELDMENT, F-R CONTROL	1
19	<u>85-W0204</u>	KEY, WOODRUFF 1/8 X 1/2	1
20	<u>350012</u>	ROD, NEUTRAL ADJUSTMENT	1
21	<u>99-K27</u>	BOLT, FLANGE 1/4 X 1	2
22	<u>350011</u>	RETAINER, NEUTRAL SPRING	1
23	<u>03-0610</u>	CLEVIS PIN, 3/8 X 1-1/4	1
24	<u>02-CP0406</u>	COTTER PIN, 1/8 X 3/4	2
25	<u>350010</u>	ROD WELDMENT, F-R CONNECTING	1
26	<u>350006</u>	LEVER WELDMENT, SPEED CONTROL	1
27	<u>99-F21</u>	JAM NUT, 3/8	1
28	<u>21-101680-156</u>	SNAP RING	1
29	<u>21-97121</u>	RETAINING RING	1
30	<u>21-90797</u>	INPUT SHAFT BEARING	1
31	<u>21-62184</u>	INPUT SHAFT	1
32	<u>21-93955</u>	INPUT SHAFT SEAL	1
33	<u>D8047</u>	RESERVOIR	1
34	<u>D8048</u>	RESERVOIR CAP	1
35	<u>350025</u>	BRACKET, REVERSE STOP	1
36	<u>350024</u>	BRACKET, FORWARD STOP	1
37	<u>99-K26</u>	FLANGE BOLT, 1/4 X 3/4	2
38	<u>F1002</u>	JAM NUT, 1/4	1
39	<u>F1603</u>	SET SCREW, 1/4 X 1-1/2 SQHD	1
40	<u>99-F20</u>	FLANGE NUT, 1/4	2
41	<u>94-04</u>	FLAT WASHER, 1/4 USS	4

* Not Illustrated

Parts List for Figure 3

<u>Ref</u>	<u>Part no.</u>	<u>Description</u>	<u>Quantity</u>
1	<u>A31611</u>	ROLLER ASSY, FRONT (Incl. Ref. 2 - 14)	1
2	<u>99-E21</u>	JAM NUT, 3/8	1
3	<u>99-K33</u>	BOLT, 3/8 x 2 ALL THREAD GRADE 2	1
4	<u>92-07</u>	NUT, 7/16	6
5	<u>95-07</u>	FLAT WASHER, 7/16 SAE	6
6	<u>90-0712</u>	BOLT, 7/16 X 1-1/2	5
7	<u>F4705</u>	BOLT, 7/16 X 2-1/4 NF GRADE 8	1
8	<u>90-0718</u>	BOLT, 7/16 X 2-1/4	1
9	<u>301466</u>	FRAME, FRONT COVER	1
10	<u>301541</u>	SCRAPER, ROLLER	1
11	<u>301551</u>	SPACER, ROLLER SCRAPER	1
12	<u>301664</u>	WASHER	1
13	<u>90-0710</u>	BOLT, 7/16 X 1-1/4	1
14	<u>96-07</u>	LOCK WASHER, 7/16	7
15	<u>A31609</u>	ROLLER ASSEMBLY, 24" DIA (Incl. Ref. 16 - 21)	1
16	<u>301513</u>	ROLLER, WELDMENT 24" OD 30" LG	1
17	<u>301697</u>	SPROCKET, ROLLER	1
18	<u>B0108</u>	BEARING, 1" 2 BOLT FLANGE	2
19	<u>99-E01</u>	WHEEL NUT, 1/2 NF	4
20	<u>99-E26</u>	JAM NUT, 1/2 NF	4
21	<u>H8030</u>	PLUG, 3/4" NPT SQUARE HEAD	2

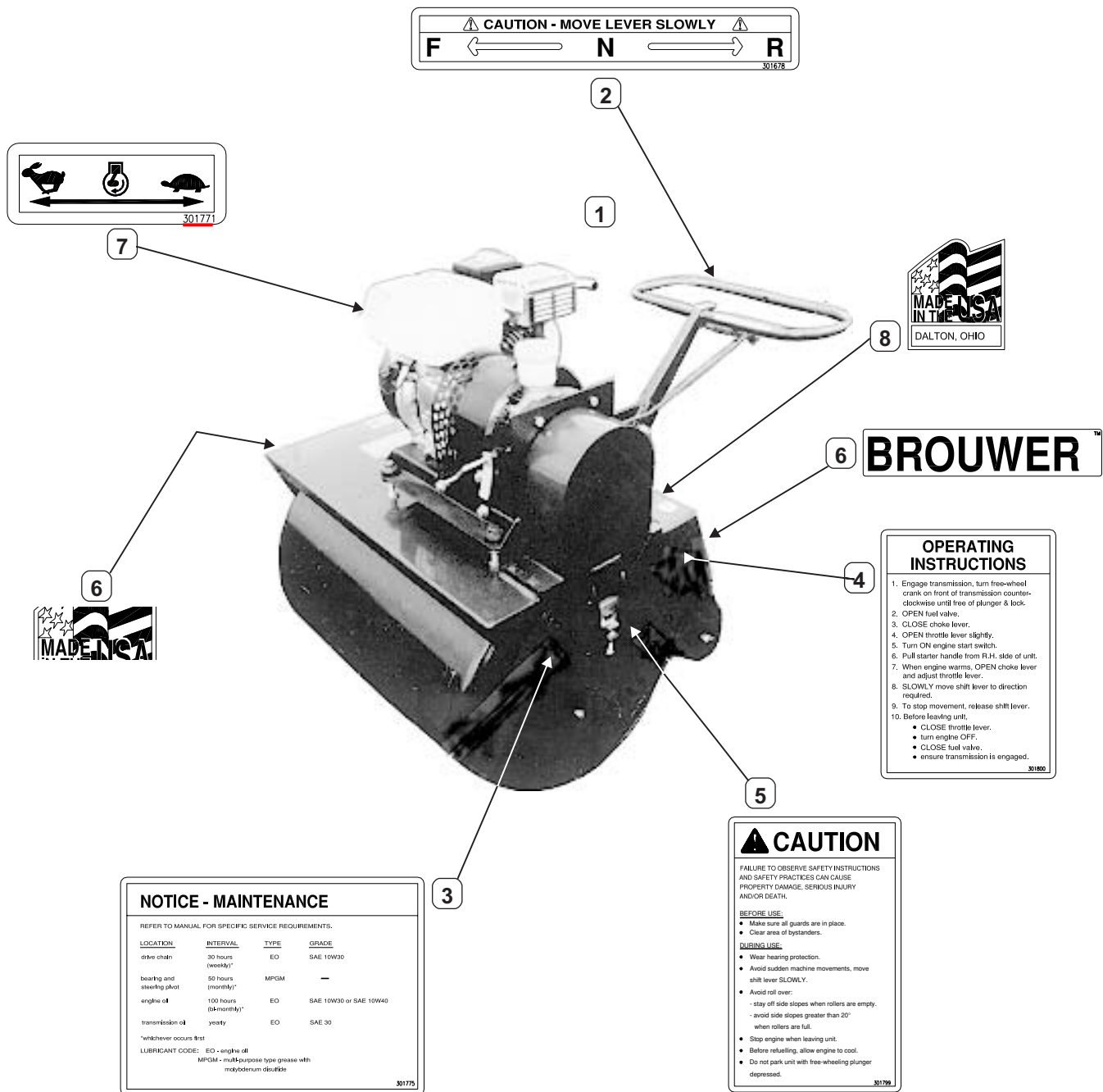
Sprocket Assembly
Parts
Figure 4



Parts List for Figure 4

<u>Ref</u>	<u>Part no.</u>	<u>Description</u>	<u>Quantity</u>
1	<u>A31628</u>	ASSEMBLY, SPROCKET IDLER SPINDLE (Incl Ref. 2-11)	1
2	<u>301758</u>	SPROCKET WELDMENT, IDLER	1
3	<u>M5222</u>	PLUG, PLASTIC SNAP IN 1-1/4"	1
4	<u>G1515</u>	RING, RETAINING, EXT. 3/4 SHAFT	1
5	<u>L4006</u>	RING, INNER .75" ID X 1" OD X 3/4 LONG	1
6	<u>B3003</u>	BEARING, NEEDLE 1"ID X 3/4 LG	1
7	<u>L4007</u>	WASHER, THRUST 3/4" ID	1
8	<u>B2014</u>	BEARING, BALL	1
9	<u>G1001</u>	RING, RETAINING	1
10	<u>301755</u>	SPINDLE, 3/4"	1
11	<u>F4705</u>	BOLT, 7/16 X 2-1/4 NF GRADE 8	1
12	<u>96-07</u>	LOCK WASHER, 7/16	1

Decals
Figure 5



CAUTION - MOVE LEVER SLOWLY

F ← **N** → **R**

301678

301771

MADE IN THE USA

DALTON, OHIO

BROUWER

OPERATING INSTRUCTIONS

- Engage transmission, turn free-wheel crank on front of transmission counter-clockwise until free of plunger & lock.
- OPEN fuel valve.
- CLOSE choke lever.
- OPEN throttle lever slightly.
- Turn ON engine start switch.
- Pull starter handle from R.H. side of unit.
- When engine warms, OPEN choke lever and adjust throttle lever.
- SLOWLY move shift lever to direction required.
- To stop movement, release shift lever.
- Before leaving unit:
 - CLOSE throttle lever.
 - turn engine OFF.
 - CLOSE fuel valve.
 - ensure transmission is engaged.

301800

CAUTION

FAILURE TO OBSERVE SAFETY INSTRUCTIONS AND SAFETY PRACTICES CAN CAUSE PROPERTY DAMAGE, SERIOUS INJURY AND/OR DEATH.

BEFORE USE:

- Make sure all guards are in place.
- Clear area of bystanders.

DURING USE:

- Wear hearing protection.
- Avoid sudden machine movements, move sink lever SLOWLY.
- Avoid roll over:
 - stay off side slopes when rollers are empty.
 - avoid side slopes greater than 20° when rollers are full.
- Stop engine when leaving unit.
- Before refuelling, allow engine to cool.
- Do not park unit with free-wheeling plunger depressed.

301790

NOTICE - MAINTENANCE

REFER TO MANUAL FOR SPECIFIC SERVICE REQUIREMENTS.

LOCATION	INTERVAL	TYPE	GRADE
drive chain	30 hours (weekly)*	EO	SAE 10W30
bearing and steering pivot	50 hours (monthly)*	MPCM	—
engine oil	100 hours (6-monthly)*	EO	SAE 10W30 or SAE 10W40
transmission oil	yearly	EO	SAE 30

*whichever occurs first

LUBRICANT CODE: EO - engine oil
MPCM - multi-purpose type grease with molybdenum disulfide

301775

Parts List for Figure 5

<u>Ref</u>	<u>Part no.</u>	<u>Description</u>	<u>Quantity</u>
1	<u>A31639</u>	DECAL, PACKAGE (Includes Ref. 2 - 8)	1
2	<u>301678</u>	DECAL, F. N. R.	1
3	<u>301775</u>	DECAL, MAINTENANCE	1
4	<u>301800</u>	DECAL, OPERATING INSTRUCTIONS	1
5	<u>301799</u>	DECAL, CAUTION / SAFETY INSTRUCTIONS	1
6	<u>401257</u>	DECAL, "BROUWER" 2-1/2 X 10	2
7	<u>301771</u>	DECAL, ENGINE THROTTLE	1
8	<u>00-209</u>	DECAL, MADE IN USA	1

STATEMENT OF LIMITED WARRANTY

BROUWER TURF EQUIPMENT warrants its full line of equipment to be free from defects in material and factory workmanship for a period of 12 months and warrants its 1555, 1560, 1565, 1570, and Rollmax Harvesters to be free from defects in material and factory workmanship for a period of 24 months. This warranty begins on the date of sale of the equipment to the original purchaser. This statement does not extend or limit engine or tractor warranties in which the engine or tractor manufacturers carry extended time periods beyond 12 months. Engine and tractor warranty claims will be subject to the engine or tractor manufacturer's approval.

Replacement Parts carry a 30 day replacement warranty and are reimbursed to the dealer. All electrical and hydraulic parts are limited by this policy and will only be covered upon approval by the service department after inspection of the part. The installation and removal of a part will automatically place that part under the replacement parts warranty.

This guarantee is limited exclusively to equipment or accessories manufactured or supplied by BROUWER TURF and is subject to the inspection and analysis by the company to conclusively identify the nature and cause of failure.

PRODUCT REGISTRATION FORM must be completely filled out, signed by the customer, and returned to BROUWER TURF before any claims will be considered.

BROUWER TURF reserves the right to incorporate improvements in material and design of its products without notice and is not obligated to make the same improvements to equipment previously manufactured.

BROUWER TURF is not obliged under any warranty policy different from the Brouwer warranty policy as published above.

BROUWER TURF'S RESPONSIBILITIES

BROUWER TURF'S obligation under the terms of this warranty is limited to the repair, replacement or credit, at its option, of the equipment, parts or supply items that conform to its warranty.

BROUWER TURF will pay for the parts and the cost of surface transportation for the parts that conform to this warranty.

DEALER'S RESPONSIBILITIES

1. Only factory-trained service personnel will be permitted to perform warranty service on BROUWER TURF equipment.
2. All major warranty claims such as overhauls - rebuilds exceeding \$500.00 must be authorized by BROUWER TURF before work is performed.
3. All replacement parts used in warranty situations must be furnished by BROUWER TURF or approved by BROUWER TURF service personnel. The use of non-recommended oil could nullify warranty.

OWNERS RESPONSIBILITIES

The owner is obligated to operate and maintain the equipment in accordance with the recommendations published by BROUWER TURF in the owners/operators manual for the unit. The owner is responsible for the costs associated with such maintenance and operating adjustments that may be required on a regularly scheduled basis. The owner is responsible for transportation to and from the dealership or service calls made by the dealer.

CONDITIONS THAT VOID WARRANTY

This warranty shall not apply to equipment which:

- 1. Has had repairs or modifications not authorized by BROUWER TURF.
- 2. Has been subject to abuse, improper maintenance, or improper application.
- 3. Has been modified from original equipment specifications.

WARRANTY EXCEPTIONS

This warranty does not apply to the following items:

- 1. Wear items including blades, cutting edges, spark plugs, belts, filters, bearings, sprockets, chains, tires, light bulbs, lubricants and fluids. Cost of normal maintenance including replacement of service items.
- 2. Damages to engine/drive systems caused by lack of/or improper lubricants and/or fluids.
- 3. Damages to engine/drive systems caused by improper operation and/or maintenance.
- 4. BROUWER TURF EQUIPMENT will not be liable for any incidental or consequential damage or injuries, including but not limited to loss of profits, loss of crops, rental of substitute equipment, or other commercial loss or for damage to the equipment in which the Company Product is installed.

FREIGHT CARRIER DAMAGE

Claims for equipment damaged in transit should be referred to the freight carrier. Visible damage should be reported immediately, and concealed damage as soon as possible, in accordance with freight carrier regulations.



WARNING



The engine exhaust from this product contains chemicals known to the State of California to cause cancer, birth defects or other reproductive harm.

CALIFORNIA PROPOSITION 65 Battery Warning

Battery posts, terminals and related accessories contain lead and lead compounds, chemicals known to the State of California to cause cancer and reproductive harm.

WASH HANDS AFTER HANDLING!