

MAGNUM A SERIES DIESEL SOD INSTALLER PARTS MANUAL



**MAGNUM A42D
MAGNUM A48D**

Bucyrus Equipment Co., Inc.
Box 156, 209 Main
Hillsdale, Ks 66036
1-800-330-0857
www.magnumenp.com

RE-ORDER NUMBER: 2IND-MANUAL
REVISION: 2IND-100010



A SERIES

MAGNUM A42D / A48D PARTS MANUAL

The purpose of this manual is for parts identification of the Magnum A series sod installer. This manual is not to be used for assembly. This manual includes parts lists and illustrations of all available replacement parts for the Magnum A series sod installer. A table of contents is placed at the beginning of the manual for location of specific parts. Keep this manual available for reference in the shop area.

At the time of publication all information contained in this manual was technically correct. However, all materials and specifications are subject to change without notice.

Comments and suggestions about this manual may be directed to: Bucyrus Equipment Co., Inc., PO Box 156-209 Main, Hillsdale, KS 66036. Phone 1-800-330-0857

© Copyright 2013 BECI. All information contained within this publication is based on the latest product information at the time of publication. Due to constant improvements in the design and quality of production components, some minor discrepancies may result between the actual vehicle and the information presented in this publication. Depictions and/or procedures in this publication are intended for reference use only. No liability can be accepted for omissions or inaccuracies. Any reprinting or reuse of the depictions and/or procedures contained within, whether whole or in part, is expressly prohibited. Printed in U.S.A.

RE-ORDER NUMBER: 2IND-MANUAL
REVISION: 2IND-100010

TABLE OF CONTENTS

Section 1 BRAKE, WHEEL, & HUB

Section 2 DECALS

Section 3 ELECTRICAL

Section 4 ENGINE

Section 5 FRONT SPENDLE

Section 6 HYDRALICS

**Section 7 HYDROSTAT ROLL LIFT
CONTROL**

Section 8 OPERATORS PLATFORM

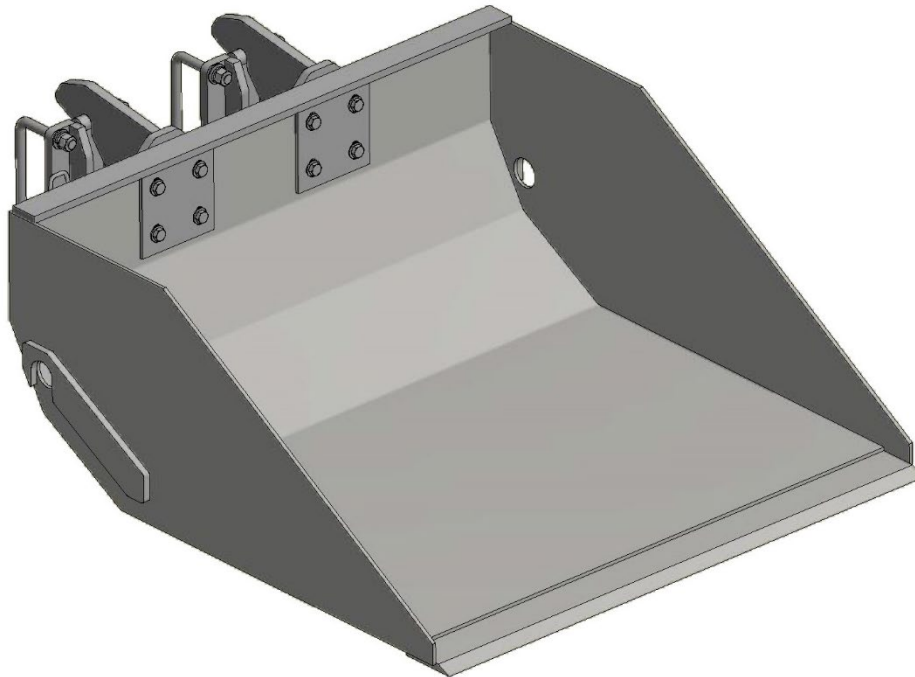
Section 9 ROLL LIFT

Section 10 SHIELDS

Section 11 STEERING AXLE

GEN 2 BUCKET - PARTS LIST

ITEM	QTY	PART NUMBER	DESCRIPTION
1	1	2IND-BKT100 2IND-BKT100-48	GEN 2 42" BUCKET GEN 2 48" BUCKET
2	2	2IND-FRK103	FORK LIFT MNT PLT
3	2	2IND-FRK104	FORKLIFT ROLL LIFT MNT
4	2	98497A664	HITCH PIN, 3/4" X 4 LG
5	4	64UBOLT	U BOLT
6	8	15214	1/2"-13 X 2 3/4" CAPSCREW PT, GR 8
7	16	33817	1/2" SAE WASHER
8	8	36310	1/2"-13 HEX NUT
9	8	33895	1/2" LOCK WASHER
10	8	33819	5/8" SAE WASHER
11	8	33897	5/8" LOCK WASHER
12	8	36314	5/8"-11 HEX NUT



MAG A42D & A48
BUCKET

