



KTR 30 TURF ROLLER

OPERATOR'S MANUAL & PARTS LIST



Kesmac Inc.

23324 Woodbine Avenue, Keswick Ontario Canada L4P 3E9

Tel (905) 476-6222 Fax (905) 476-6744

Web Site www.brouwerturf.com Email info@kesmac.com



STATEMENT OF LIMITED WARRANTY

Kesmac and Brouwer Turf warrants its full line of equipment to be free from defects in material and factory workmanship for a period of 12 months. This warranty begins on the date of sale or use of the equipment to the original purchaser. This statement does not extend or limit engine, tractor or component warranties in which the engine, tractor or component manufacturers may carry extended time periods up to 24 months. Engine, tractor or component warranty claims will be subject to the engine, tractor or components manufacturer's approval.

Replacement Parts carry a 90 day replacement warranty and are reimbursed to the dealer. All electrical and hydraulic parts are limited by this policy and will only be covered upon approval by the service department after inspection of the part. The installation and removal of a part will automatically place that part under the replacement parts warranty.

This warranty is limited exclusively to equipment or accessories manufactured or supplied by *Kesmac and Brouwer Turf* and are subject to the inspection and analysis by the company to conclusively identify the nature and cause of failure.

PRODUCT REGISTRATION FORM must be completely filled out, signed by the customer at the original date of installation, and returned to *Kesmac and Brouwer Turf* before any claims will be considered.

Kesmac and Brouwer Turf reserves the right to incorporate improvements in material and design of its products without notice and is not obligated to make the same improvements to equipment previously manufactured.

Kesmac and Brouwer Turf is not obliged under any warranty policy different from the Kesmac Brouwer Turf warranty policy as published above.

KESMAC AND BROUWER TURF RESPONSIBILITIES

Kesmac and Brouwer Turf's obligation under the terms of this warranty is limited to the repair, replacement or credit, at its option, of the equipment, parts or supply items that conform to its warranty.

DEALER'S RESPONSIBILITIES

1. Only factory-trained service or approved personnel will be permitted to perform warranty service on *Kesmac and Brouwer Turf* equipment.
2. All major warranty claims exceeding \$650.00 (in total including parts and labour) must be authorized by *Kesmac and Brouwer Turf* before work is performed.
3. All replacement parts used in warranty situations must be furnished by *Kesmac and Brouwer Turf* or approved by *Kesmac and Brouwer Turf* personnel. The use of non-recommended oil could nullify warranty.

OWNERS RESPONSIBILITIES

The owner is obligated to operate and maintain the equipment in accordance with the recommendations published by *Kesmac and Brouwer Turf* in the owners/operators manual for the unit. The owner is responsible for the costs associated with such maintenance and operating adjustments that may be required on a regularly scheduled basis. Where applicable the owner is responsible for transportation to and from the dealership or service calls made by the dealer.

CONDITIONS THAT VOID WARRANTY

This warranty shall not apply to equipment which:

- 1. Has had repairs or modifications not authorized by *Kesmac and Brouwer Turf*.
- 2. Has been subject to abuse, improper maintenance, or improper application.
- 3. Has been modified from original equipment specifications.

WARRANTY EXCEPTIONS

This warranty does not apply to the following items:

- 1. Wear items including blades, cutting edges, cutting arms, spark plugs, belts, filters, bearings, sprockets, chains, tires, light bulbs, lubricants and fluids etc. Cost of normal maintenance including replacement of service items.
- 2. Damages to engine/drive systems caused by lack of/or improper lubricants and/or fluids.
- 3. Damages arising from accident, misuse or neglect.
- 4. Damages to engine/drive systems caused by improper operation and/or maintenance.
- 5. *Kesmac and Brouwer Turf* will not be liable for any incidental or consequential damage or injuries, including but not limited to loss of profits, loss of crops, rental of substitute equipment, or other commercial loss or for damage to the equipment in which the Company Product is installed.

FREIGHT CARRIER DAMAGE

Claims for equipment damaged in transit should be referred to the freight carrier. Visible damage should be reported immediately and concealed damage as soon as possible, in accordance with freight carrier regulations.

**KESMAC
KTR 30 – TURF ROLLER**

CONTENTS

SECTION 1 – Operators Manual

General Safety	1
Safety Precautions	2
Decals	3
Operating Instructions	
Front & Rear Rollers	4
Engine	5
Controls	5
Engine Speed Control	6
Maintenance	
Engine	6
Forward / Reverse Adjustment	7
Drive Chain	8
Operating Handle Storage	9
Lubrication	10
Specifications	11

SECTION 2 – Parts List

Frame & Rollers Assembly	1
Drive Sprockets & Chains	3
Controls	5
Engine & Transmission	7
Power Unit Protection Cage	9
Dead-Man Switch Assembly	9
“Ride On” Accessory	11
Eaton Hydrostat Transmission	14

Section 1 – Operators Manual

GENERAL SAFETY



INDICATES AN IMMEDIATE HAZARDOUS SITUATION WHICH IF NOT CORRECTED OR AVOIDED, **WILL** RESULT IN DEATH OR INJURY.



INDICATES THE POTENTIAL HAZARDOUS SITUATION WHICH **COULD** RESULT IN DEATH OR SERIOUS INJURY IF NOT AVOIDED,



INDICATES A POTENTIALLY HAZARDOUS SITUATION WHICH **MAY** RESULT IN A MINOR/MODERATE INJURY.



SAFETY ALERT SYMBOL

Hazards are identified by this symbol
Followed by the signal words
“DANGER, WARNING or CAUTION”.

Always follow safe operating and maintenance practices to ensure your own safety and also that of others.

The warning and safety signs are prominently displayed and strategically located on the machine. Make sure that the decals are always in good condition and easily readable. The decals are illustrated on the following pages.

It is important that you familiarize yourself with these safety signs.

Do not operate this machine if drugs, alcohol or medication are being used which can affect alertness or co-ordination.

Seek professional advice before operating the machine if in doubt about side effects from any medication being taken that may put your safety at risk.



WARNING

- **DO NOT RUN THE ENGINE AT EXCESSIVELY HIGH SPEED.**
 - **DO NOT OPERATE THE MACHINE IF THE CHAIN AND THE ENGINE GUARDS ARE NOT SECURED IN PLACE OR ARE DAMAGED.**
 - **WHEN OPERATING THE MACHINE WHILE WALKING BESIDE IT, KEEP YOUR FEET CLEAR OF THE ROLLERS.**
 - **TO MAINTAIN CONTROL OF THE MACHINE, USE ONLY LOWEST SPEED WHILE WALKING ALONG SIDE THE MACHINE.**
 - **WHEN OPERATING ACROSS THE SIDE OF A SLOPE, EXERCISE CAUTION AND ALWAYS WALK ON THE UP-HILL SIDE OF THE TURF ROLLER.
DO NOT OPERATE ON SLOPES GREATER THAN 20° AS THE MACHINE MAY TIP CAUSING PERSONAL INJURY AND DAMAGE TO THE MACHINE.**
 - **WHEN PARKING AND ALSO TO PREVENT ACCIDENTAL MOVEMENT OF THE MACHINE, SWITCH THE ENGINE ‘OFF’.**
-

KESMAC TURF ROLLERS

Safety Precautions.

IMPORTANT

The Owner and Operator, must assume responsibility for the safe operation of the machine, their own safety, and the safety of others, by reading, understanding, and following, all of the safety instructions and operating procedures as outlined in the machines Operator's Manual. Failure of the Owner or Operator to adhere to the recommended safety instructions and operating procedures, indemnifies Kesmac Inc. against any claims that may arise, due to accidents resulting in personal injury or property damage.

It is not possible to list all situations that may affect the safety of the machine or the operator(s), and therefore Kesmac Inc. cannot list all precautions, and identify all potential hazards, that may possibly prevent accidents.

IF YOU DO NOT UNDER STANDASK

BE A QUALIFIED OPERATOR BY:

- Reading and obeying the written instructions in this manual and the safety decals on the machine.
- Receiving operational training on the Turf Roller.
- Asking your supervisor or equipment dealer to explain things you do not understand.
- Explain the written instructions in the operator manual and safety decals to users/operators who cannot read or understand them.



WARNING

Kesmac Turf Rollers are designed for safe efficient operation and must not be used for any purpose other than that for which they are designed.

Prior to being shipped from the manufacturer the machines are inspected to insure that all guards, shields and warning/operating decals are correctly positioned and secure.

Before operating the machine the operator must check that all of the above items are correctly located.

Machines must not be used if any guards, shields or warning/operating decals are damaged or missing.

DURING MAINTENANCE

- Use only genuine Kesmac replacement parts. Parts that are not supplied by Kesmac may not meet Kesmac specifications or standards of manufacture and may void warranty. The use of non-approved parts may result in component failure and possibly cause an accident and injury to the operator or others.



CAUTION

Allow sufficient time for the engine to cool down before doing any service work.

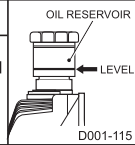
Failure to observe this precaution may result in burns from hot exhaust components.

NOTE

Reference to RIGHT or LEFT are to be interpreted as viewed from the driver/operators position looking forward.

IMPORTANT

Check oil level daily. Top up to correct level when COLD.
DO NOT FILL PAST THE LEVEL MARK.



IMPORTANT

USE SYNTHETIC SAE 5W40 ONLY

D001-068

IMPORTANT

The Hydrostatic Transmission housing must be kept clean and free of oil and dust to ensure proper cooling. D001-146

CAUTION

HOT EXHAUST
To avoid injury keep clear of exhaust pipes and muffler. D001-053

WARNING

CRUSHING HAZARD
Stay clear of moving parts D001-054



Current from Serial No. 341

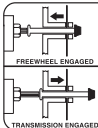


Non Current up to Serial No. 341



WARNING

To Prevent Serious Injury or Death
• Avoid unsafe operation or maintenance
• Do not operate or work on this machine without reading and understanding the operator's manual.
• If manual is lost, contact your nearest dealer for a new manual. D001-033



WARNING

FREEWHEEL CONTROL
To prevent possible injury to the operator and others: Do not activate the Freewheel Control if the engine is running or if the machine is on an incline. D001-134



CAUTION

TO PREVENT TIPPING WHEN ON SLOPES STOP THE UNIT BEFORE CHANGING FORWARD / REVERSE DIRECTION. OPERATE CONTROLS SLOWLY AND SMOOTHLY. D001-073

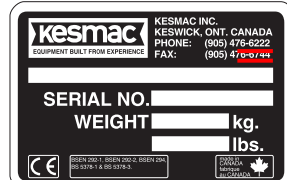
WARNING
CRUSHING HAZARD
Stay clear of moving parts D001-054



WARNING

To Prevent Serious Injury or Death
• Avoid unsafe operation or maintenance
• Do not operate or work on this machine without reading and understanding the operator's manual.
• If manual is lost, contact your nearest dealer for a new manual. D001-033

IMPORTANT
Allow air to vent from drum when filling. D001-133



DANGER

Si vous ne lisez pas l'anglais, demandez à quelqu'un qui lit l'anglais de traduire pour vous toutes les consignes de sécurité. D001-F17

PELIGRO

Si No Lee Ingles, pida Ayuda a Alguien Que Si Lo Lea Para Que le Traduzca las Medidas de Seguridad. D001-S15

WARNING
CRUSHING HAZARD
Stay clear of moving parts D001-054



OPERATING INSTRUCTIONS

FRONT AND REAR ROLLERS

Fig. 1

The large front roller has two fill/drain plugs. The roller can be filled with water to the level needed for any required roller weight. The fill/drain plug threads are the same as standard garden hose end fittings. Water can be drained out for transporting the machine.

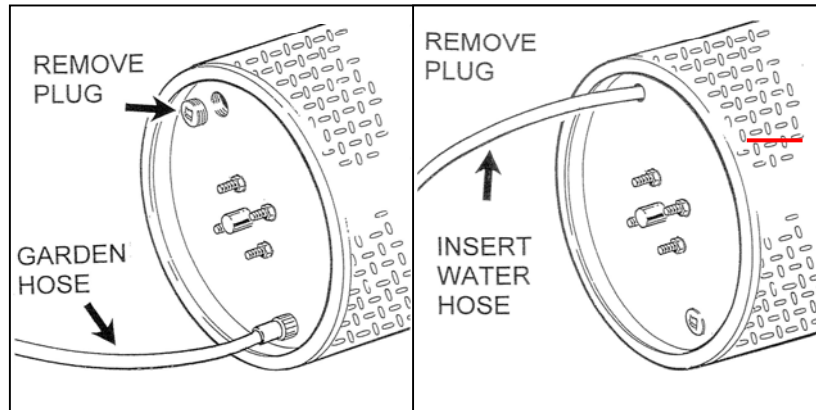


Fig. 1

Fig. 2

The small rear roller has one fill/drain plug. It is recommended that before operating the Turf Roller the rear roller should be filled permanently with sand. This improves the stability of the machine, particularly when operating on a down slope.

To fill the rear roller with sand the following procedure is recommended:

- Lift the Control Handle up until the rear roller is just clear of the ground.
- Place a suitable support under the Control Handle.
- Remove the 7/16 unc x 1 ½ bolts, washers, and locknuts securing the roller bearings and pull the roller clear of the frame.
- Stand the roller 'on-end'. Remove the plug and with a funnel fill the roller with sand. Replace the fill/drain plug.
- Refit the roller assembly.

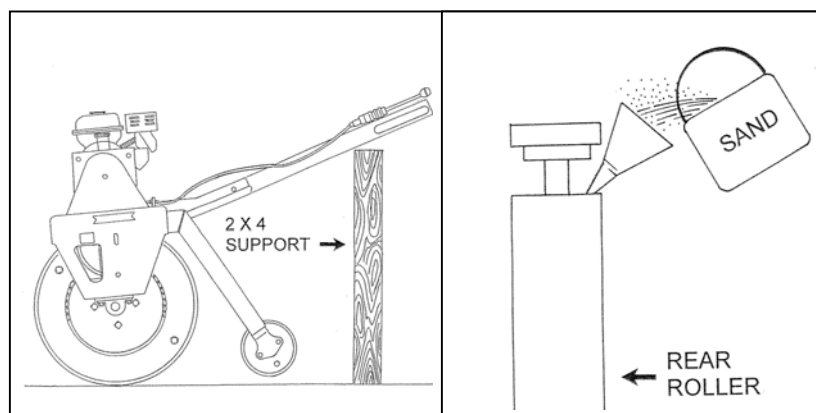


Fig. 2

CAUTION

When operating the machine on a down slope do not stop the machine abruptly. A sudden stop may cause the machine to tip forward.
DO NOT OPERATE UP/DOWN OR ACROSS SLOPES GREATER THAN 20 DEGREES.

OPERATING INSTRUCTIONS

ENGINE

The Kesmac KTR 30 Turf Roller is fitted with a Honda GX160 Engine. The owner's manual for the engine is supplied with the machine.

It is important to follow the operating and service instructions contained in the manual.

CONTROLS

Fig. 3

The hand control lever for the hydrostatic transmission is located on the Turf Roller Handle.

Up to Serial No. 341 - Move the lever to the left for 'FORWARD' and move to the right for 'REVERSE'.

From Serial No. 342 - Move the lever to the right for 'FORWARD' and move to the left for 'REVERSE'.

The transmission is fitted with a "FREE-WHEEL" control. This allows easy movement of the machine when the engine is not running. The control is located on the front of the transmission mounting support, between the fan shroud and chain guard.

Up to Serial No. 450 - To put the transmission into "FREE-WHEEL", release the Wing Nut and turn the Control Knob clockwise - 'fully inward'.

Reverse the procedure for 'DRIVE' mode. From Serial No. 451 - To put the transmission into "FREE WHEEL", remove the Hitch Pin from the 'inner hole' and press the Control Pin - 'fully inward', insert the Hitch Pin into the 'outer hole'. Reverse the procedure for 'DRIVE' mode.



WARNING

Do not activate the Free-Wheel control if the engine is running or the machine is stopped on an incline.

To prevent sudden movement of the machine, which may cause injury to the operator or others, operate the Control Lever slowly and smoothly from NEUTRAL to FORWARD and REVERSE.

When the hand control lever is in the NEUTRAL (centered) position, the engine is DISENGAGED from the transmission.

When the engine is stopped and the hand control lever is in the NEUTRAL (centered) position, the transmission is locked.

The engine 'ON-OFF' switch has been relocated from the engine to the handle, for operator convenience and safety.

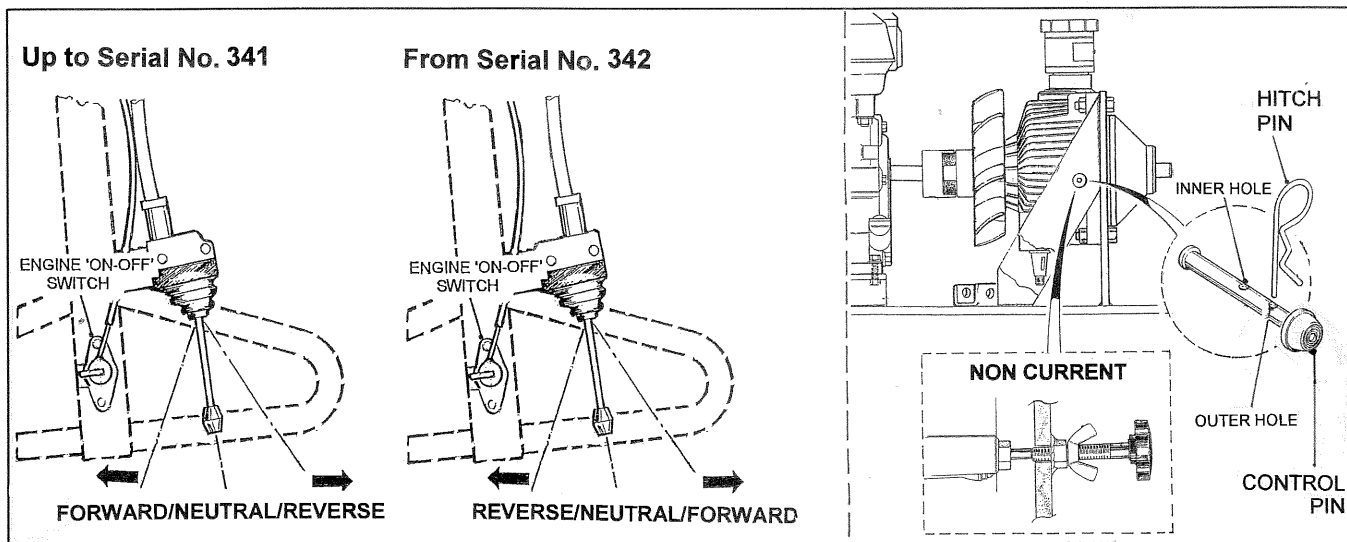


Fig. 3

OPERATING INSTRUCTIONS

ENGINE SPEED CONTROL

Refer to the Honda Engine Owners manual for the instructions on setting the engine speed. Set the engine speed control to give two-thirds throttle opening.

IMPORTANT

Do not run the engine at low speed as this may cause damage to the transmission due to inadequate cooling air flow.



WARNING

When the engine is running and the hand control lever is in the NEUTRAL (centered) position, the transmission is in "FREE-WHEEL" mode and if the machine is left unattended it can move/roll and cause personal injury or machine damage.

MAINTENANCE

ENGINE

Refer to the Honda Engine Owners Manual for recommended engine maintenance procedures,

TRANSMISSION Fig. 4

Check the oil level in the transmission oil reservoir **DAILY**. The reservoir is marked 'correct level' when COLD. **DO NOT OVERFILL.**

IMPORTANT

USE SYNTHETIC SAE 5W40 ONLY. PETRO-CANADA* DURON SYNTHETIC OR EQUIVALENT.

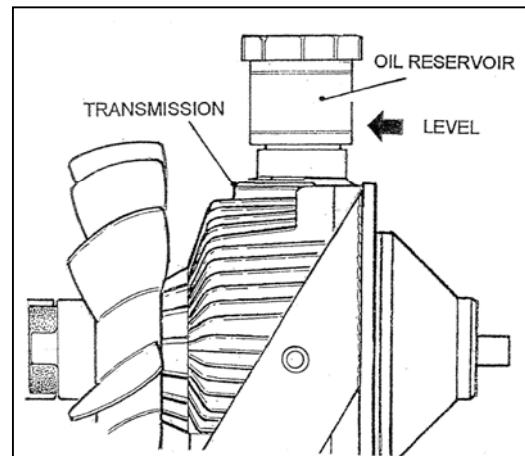


Fig.4

*FOR CLOSEST PETRO-CANADA DEALER

CALL - CANADA - 1 800 268-5850

USA - 1 800 284-4572

U.K. - +44(0) 2476-247294

IMPORTANT

If the Roller is inadvertently upset, e.g. tips forward, ensure that the oil levels are checked in the Transmission and Engine and topped up if necessary. Failure to do so can cause serious damage to both units.

MAINTENANCE

FORWARD-NEUTRAL-REVERSE ADJUSTMENT

It is important that the F – N – R Control Lever and the transmission Lever Arm are adjusted to give the correct forward and reverse speeds. When replacing parts or servicing the unit, adjust as follows.

- Remove the Cooling Fan Shroud.
- Remove the Cable End Clevis from the Transmission Lever Arm.
- Release the four nuts on the Adjusting Bolts and screw in the bolts fully.
- Adjust the Cable End Clevis to allow the Clevis Pin to fit through the Lever Arm but NOT moving the Lever Arm from it's neutral position. (From Serial No. 233 a bushing is fitted in the lever arm. Check that it is in place – if applicable.)
- Refit the Split Pin.
- Move the Control Lever to the 'FORWARD' position until the transmission Lever Arm hits its internal stop. Hold the Control Lever in this position and unscrew the 'FORWARD' Adjusting Bolt until it touches the transmission Lever Arm. Tighten the Locking nuts.
- Repeat the above adjustment for the 'REVERSE' setting except that the reverse Adjusting Bolt should be unscrewed a further ¼ inch after touching the Lever Arm, This reduces the maximum reverse speed.

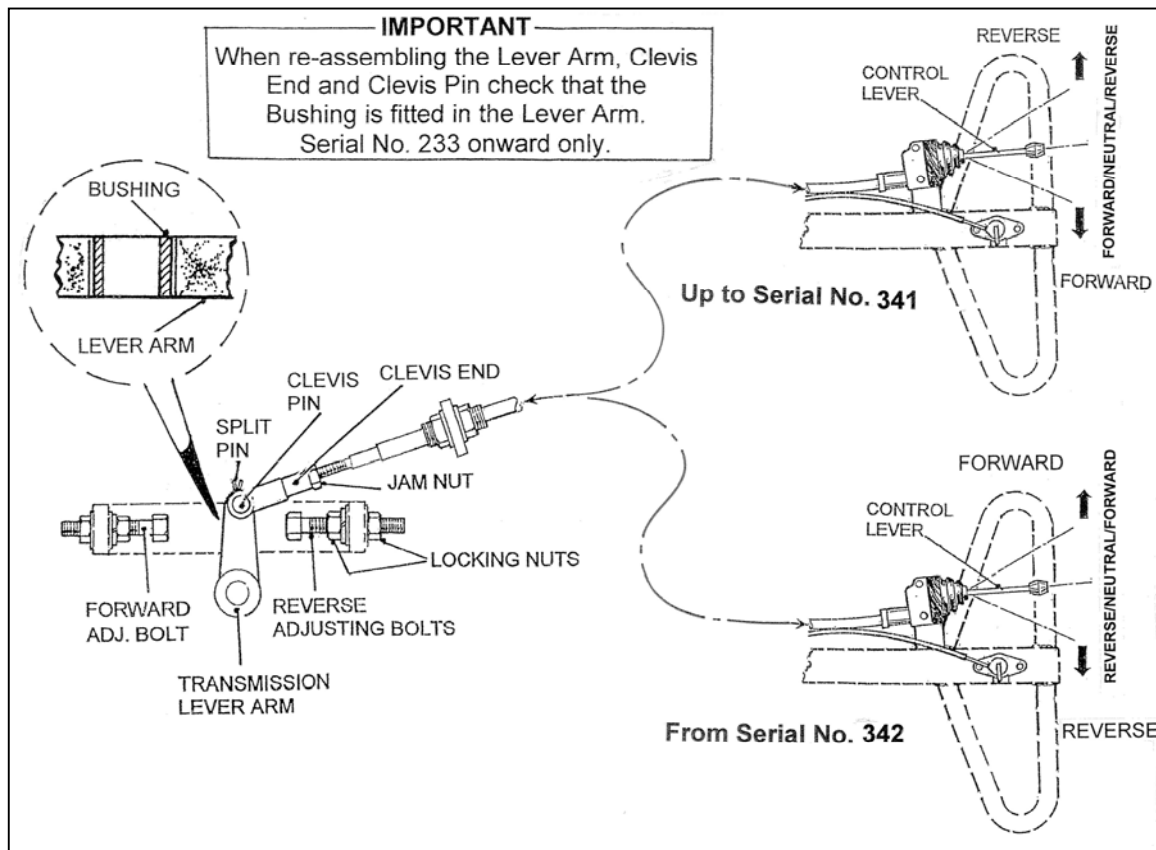


Fig.5

MAINTENANCE

DRIVE CHAINS, REMOVE / REPLACE / ADJUST

FIG. 6

To adjust the Roller Drive Chain 1:

- Loosen the Bolt 2 and Nut 3, this allows intermediate Spindle 4 to slide up or down.
- Position a suitable bar/tool in the frame and against the bottom of the Intermediate Sprocket 5.
- Apply sufficient weight on the bar/tool in the direction of arrow 'A', to tension the Roller Drive Chain 1.
- Tighten the Bolt 2 and Nut 3.

To adjust the Intermediate Dive Chain 6:

- Back-off the bolt in the Idler Adjusting Sprocket 7.
- Apply pressure in direction of arrow 'B' to tension the Intermediate Chain 6.
- Tighten the bolt in the Idler Adjusting Sprocket 7.

IMPORTANT

DO NOT OVER TENSION THE DRIVE CHAINS. THEY MUST NOT BE BAR TIGHT. THIS WILL CAUSE PREMATURE CHAIN WEAR AND BEARING FAILURE. LUBRICATE THE CHAINS WITH OIL. DO NOT USE GREASE.

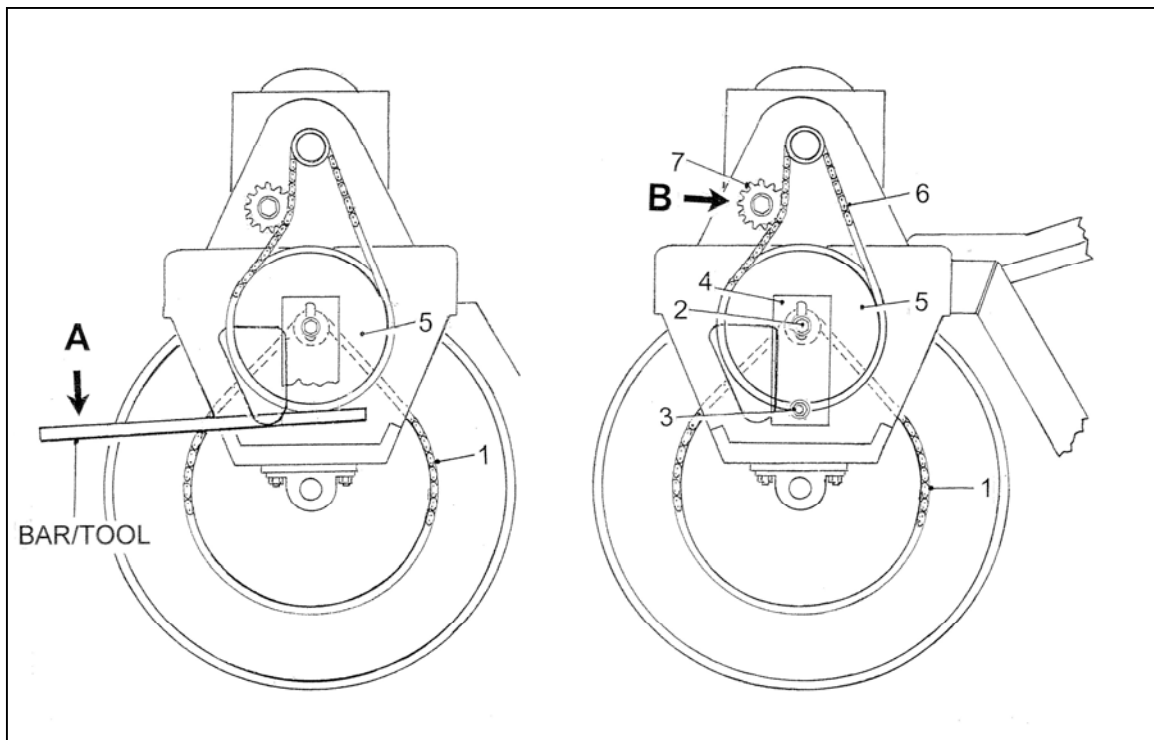


Fig.6

OPERATING HANDLE STORED POSITION

IMPORTANT

When it is required to fold up the handle, for storage or transport, remove the LOWER BOLT to allow the handle to pivot over-center and remain in position.

If the unit is to be transported long distances or over bumpy surfaces a shock cord from the handle to the frame will provide extra security.

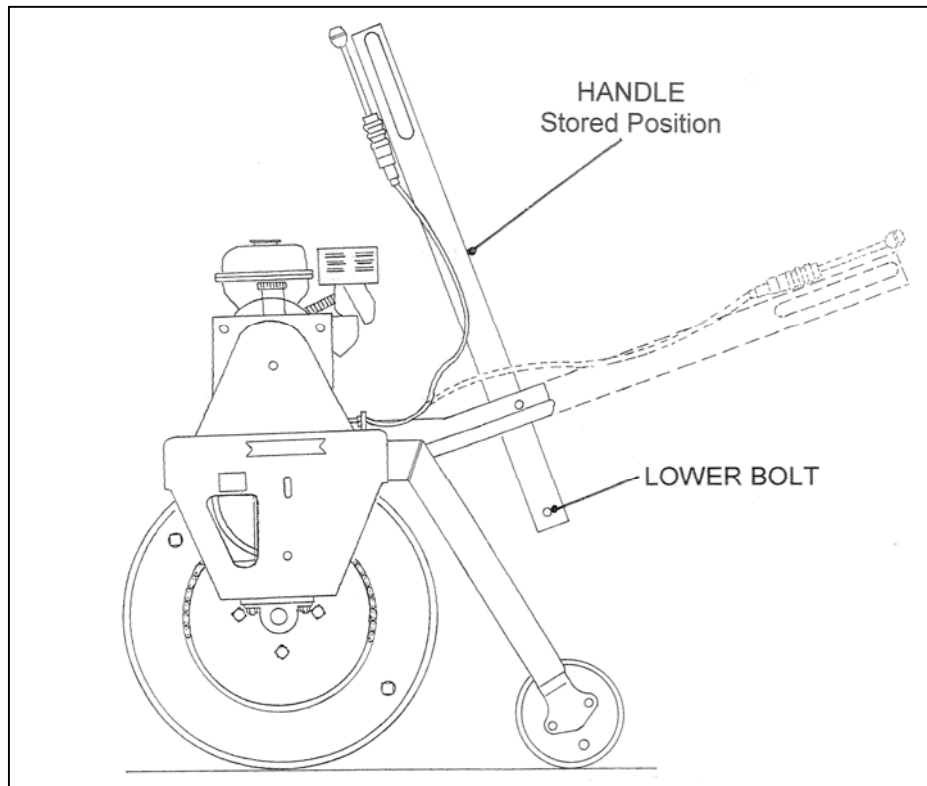


Fig.7

LUBRICATION

Fig.8

1. TRANSMISSION: SYNTHETIC SAE 5W40. Check oil level daily. If the Roller is used daily it is recommended to change the transmission oil every 2 months. Occasional service would allow that period to be extended accordingly, but not to exceed 12 months. To change the oil:

- Remove the Fan Shroud.
- Remove the transmission drain plug and the fill plug.
- Drain the oil into a suitable container.
- Replace the drain plug
- Refill with 20 fl. oz. (600ml.) of the correct oil to the bottom of the fill plug hole.
- Replace the fill plug.
- Top up the reservoir to the correct level
- Replace the Fan Shroud.

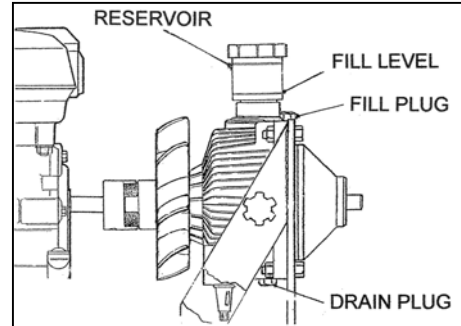


Fig.8

Fig.9

2. ENGINE: Refer to the Honda Engine Owners Manual. Supplied with the machine
3. CHAINS: SAE 30 OIL. Daily. (DO Not Use Grease On The Chains.)
4. FRONT & REAR ROLLER BEARINGS: Grease Monthly

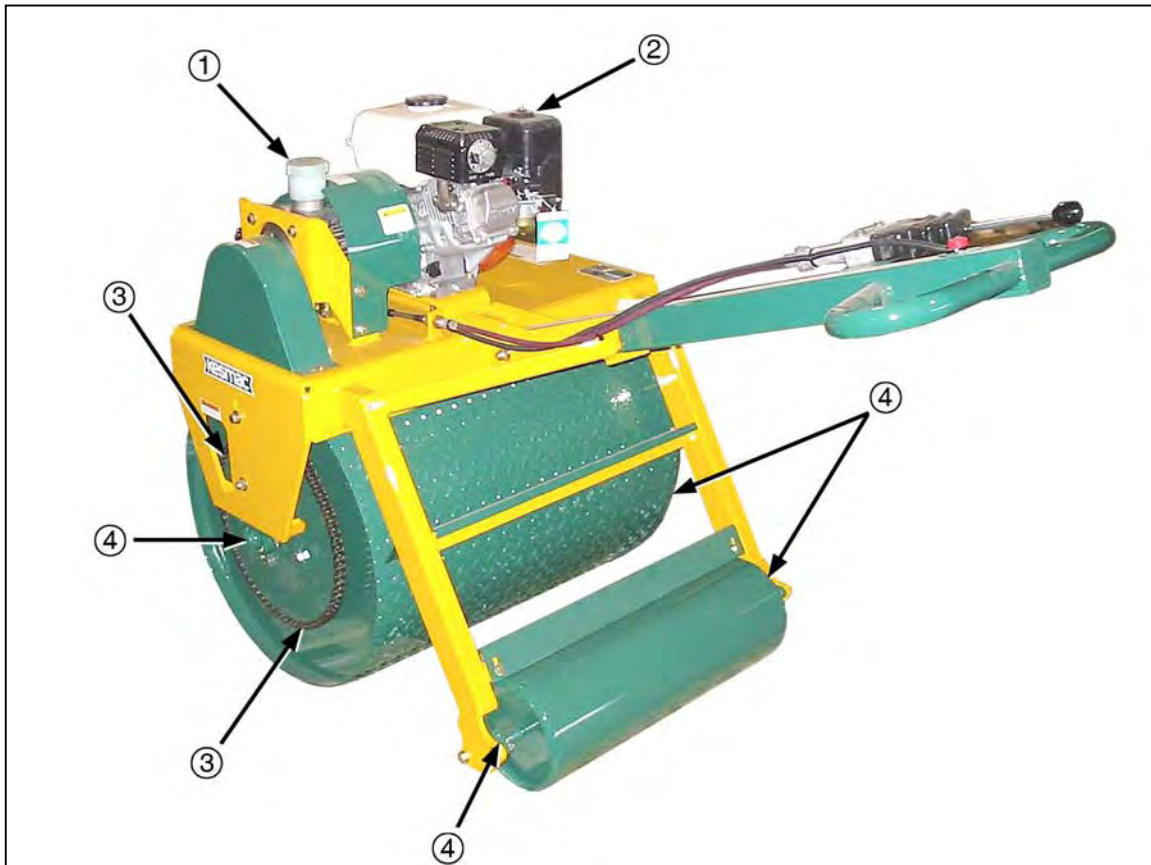


Fig.9

Regular washing and cleaning of your Kesmac Turf Roller will be a benefit in operation, maintenance and reliability.

KESMAC KTR 30 TURF ROLLER

SPECIFICATIONS

LENGTH - Operating.....	<u>63.0in.(1600mm)</u>
- Stored.....	<u>37.5in.(952mm)</u>
WIDTH	<u>36.0in.(914mm)</u>
HEIGHT - Operating (No Roll Cage).....	<u>40.5in.(1029mm)</u>
- Operating (With Roll Cage).....	<u>58.75 in.(1492mm)</u>
- Stored.....	<u>57.0in.(1448mm)</u>
FRONT ROLLER – Diameter.....	<u>24.0in.(610mm)</u>
- Width.....	<u>30.0in.(762mm)</u>
REAR ROLLER - Diameter	8.0in.(203 mm)
- Width	<u>30.0in.(762mm)</u>
* WEIGHT - 1/8 in. Steel Drum. Dry.	<u>530.lbs.(240kg)</u>
- 3/16 in. Steel Drum. Dry.	<u>551.lbs.(250kg)</u>
* Drum full with water, add 400 lbs. (<u>181kg</u>)	
Rear roller full with sand, add 80 lbs. (36kg)	
ENGINE	HONDA <u>GX160</u> 5.5 HP
TRANSMISSION	EATON – MODEL 7 HYDROSTATIC



SECTION 2

KTR 30 TURF ROLLER

PARTS LIST

IMPORTANT

When ordering parts for this machine the serial number, model number and part color must be quoted.

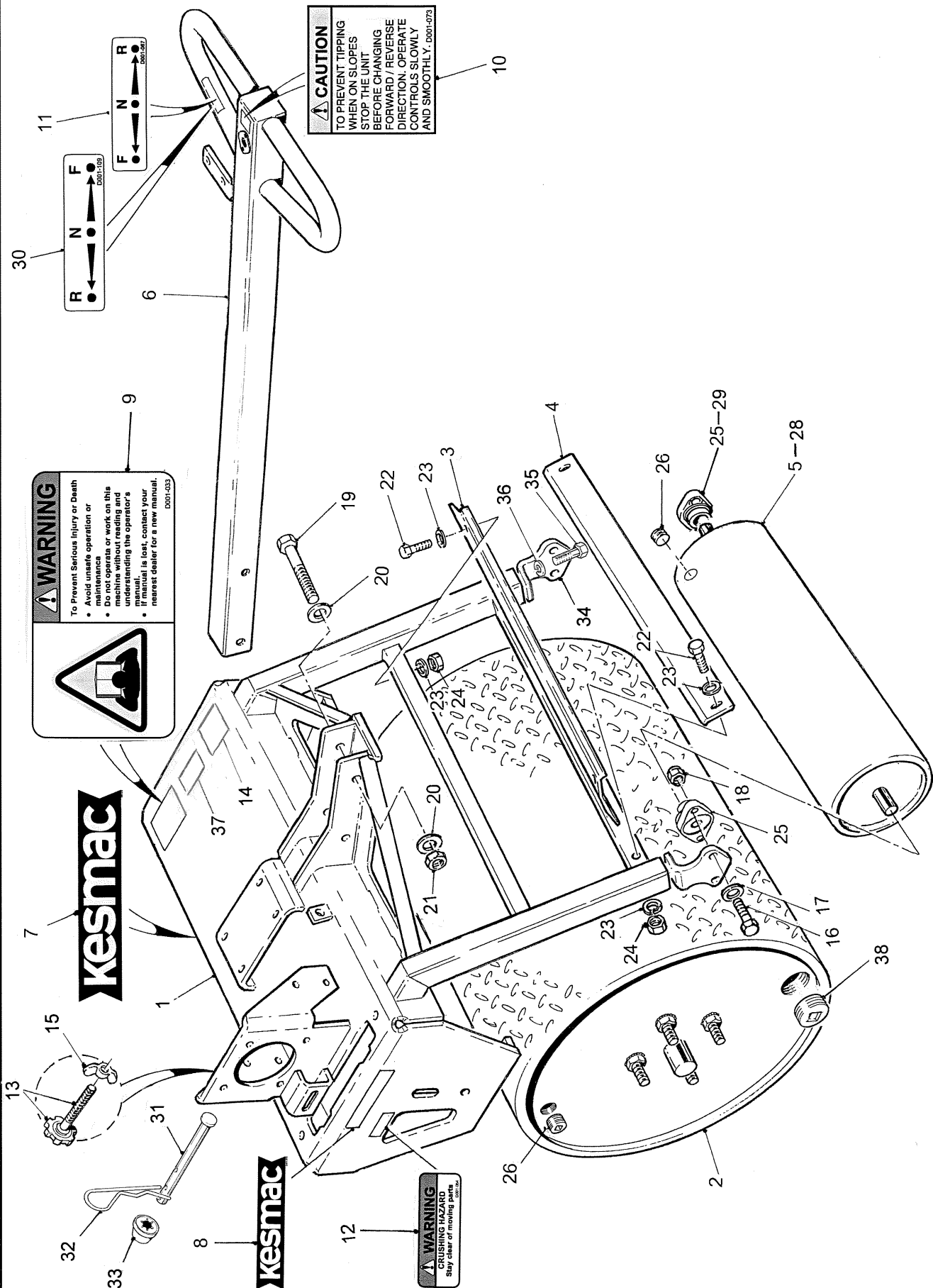


	KESMAC INC. KESWICK, ONT. CANADA PHONE: (905) 476-6222 FAX: (905) 476-6744
EQUIPMENT BUILT FROM EXPERIENCE	
SERIAL NO. _____	
WEIGHT _____ kg.	
_____ lbs.	
	BS EN 292-1, BS EN 292-2, BS EN 294 BS 5378-1 & BS 5378-3

NOTE

REPLACEMENT PARTS FOR THE HONDA GX160 ENGINE
MUST BE ORDERED FROM THE HONDA DEALER IN YOUR AREA.
Go to: www.honda.com This is the corporate web site from which Honda engines/power
equipment dealers can be located.
Eg. Europe: www.honda-engines-eu.com
Australia: www.hondapowerequipment.com.au

FRAME & ROLLERS ASSEMBLY



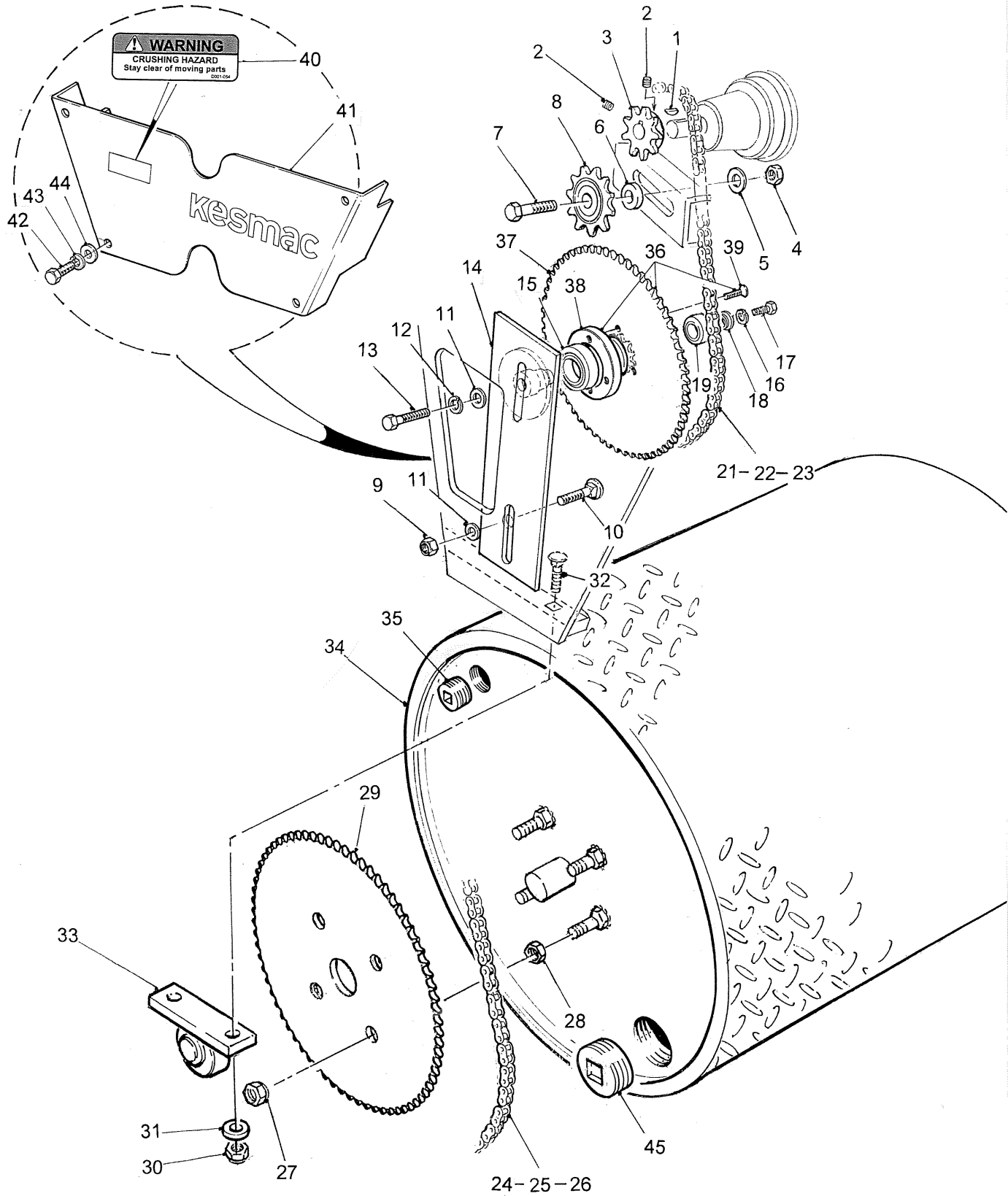
CAUTION
 TO PREVENT TIPPING
 WHEN ON SLOPES
 STOP THE UNIT
 BEFORE CHANGING
 FORWARD / REVERSE
 DIRECTION. OPERATE
 CONTROLS SLOWLY
 AND SMOOTHLY. D001-073

WARNING
 To Prevent Serious Injury or Death
 • Avoid unsafe operation or maintenance
 • Do not operate or work on this machine without reading and understanding the operator's manual.
 • If manual is lost, contact your nearest dealer for a new manual. D001-033

WARNING
 CRUSHING HAZARD
 Stay clear of moving parts.

ITEM NO.	PART NO.	DESCRIPTION	QTY
KTR 30 TURF ROLLER FRAME AND ROLLERS ASSEMBLY			
1	<u>TR30033</u>	Roller Housing	1
2	<u>TR30010</u>	Roller - 24 in. Dia. (Traction)	1
	<u>TR30180</u>	Roller - 24 in. Dia. (Smooth)	1
	<u>TR30183</u>	Roller - 24 in. Dia. (Traction. Heavy Duty)	1
3	<u>TR10055</u>	Scraper - 24in. Roller	1
4	<u>TR10056</u>	Scraper - 8in. Roller	1
5	<u>TR30012</u>	Roller - 8in. Dia. Non Current to Serial No. 294. (except Serial No. 293)	1
6	<u>TR30083</u>	Handle	1
7	D001-285	Decal - Brouwer	1
8	D001-284	Decal - Brouwer. 6in.	2
9	<u>D001-033</u>	Decal - "Warning to Prevent Serious..."	1
10	<u>D001-073</u>	Decal - "Caution to Prevent tipping..."	1
11	<u>D001-067</u>	Decal - "F - N - R" Non Current up to Serial No. 341	1
12	<u>D001-054</u>	Decal - "Warning Crushing Hazard..."	2
13	<u>TR50194</u>	Knob Thumbscrew Adjuster Assembly. Non Current up to Serial No. 450	1
14	D001-112	Serial No. Plate	1
15	<u>F420601</u>	Wing Nut. Non Current up to Serial No. 450	1
16	<u>F040714</u>	Bolt 7/16 unc x 1 1/2 Gr.8 (For Item 25 - <u>KB32012</u> Flange Bearing.)	4
	<u>F041020</u>	Bolt 5/8 unc x 2 Gr. 8 (For Item 29 - <u>KB32016</u> Flange Bearing.)	4
17	<u>F320700</u>	Washer 7/16 (For Item 25 - <u>KB32012</u> Flange Bearing.)	4
	<u>F330908</u>	Washer 9/16 (For Item 29 - <u>KB32016</u> Flange Bearing.)	4
18	<u>F210700</u>	Locknut 7/16 unc (For Item 25 - <u>KB32012</u> Flange Bearing.)	4
	<u>F211000</u>	Locknut 5/8 unc (For Item 29 - <u>KB32016</u> Flange Bearing.)	4
19	<u>F040840</u>	Bolt 1/2 unc x 4 Gr.8	2
20	<u>F320700</u>	Washer 7/16	4
21	<u>F210800</u>	Locknut 1/2 unc	2
22	<u>F040510</u>	Bolt 5/16 unc x 1 Gr.8	4
23	<u>F320400</u>	Washer 1/4	8
24	<u>F210500</u>	Locknut 5/16 unc	4
25	<u>KB32012</u>	Flange Bearing. Non Current to Serial No. 294. (except Serial No. 293)	2
26	<u>KH00015</u>	Pipe Plug 3/4 NPT. Sq. Hd.	2
27	<u>D001-043</u>	Reflector Tape - Red & Silver. (Not Illustrated)	1
28	<u>TR30237</u>	Roller - 8in. Dia. Current from Serial No. 293. (except Serial No. 294)	1
29	<u>KB32016</u>	Flange Bearing. Current from Serial No. 293. (except Serial No. 294)	2
30	<u>D001-109</u>	Decal - "R - N - F" Current from Serial No. 342	1
31	<u>TR10320</u>	Pin. Free Wheeling. Current from Serial No. 451	1
32	<u>F940224</u>	Hitch Pin Clip. Current from Serial No. 451	1
33	<u>KX50105</u>	Push Cap Nut. Current from Serial No. 451	1
34	<u>TR10072</u>	Bearing Mounting Bracket - Current from Serial No. 467	2
35	<u>F040610</u>	Bolt 3/8 unc x 1 Gr.8	4
36	<u>F310600</u>	Lockwasher 3/8	4
37	<u>D001-133</u>	Decal - "Important Allow air to vent..."	1
38	<u>KH00026</u>	Pipe Plug 2 NPT. Recessed Sq. Hd.	1
NOTE			
<u>TR30010</u> - Not Available. Replaced by Assembly <u>TR50408</u> . <u>TR30180</u> - Not Available. Replaced by Assembly <u>TR50409</u> . <u>TR30183</u> - Not Available. Replaced by Assembly <u>TR50410</u> .			

DRIVE SPROCKETS & CHAINS



ITEM NO.	PART NO.	DESCRIPTION	QTY
KTR 30 TURF ROLLER DRIVE SPROCKETS & CHAINS			
1	F900404	Woodruff Key 1/8 z 1/2	1
2	F140402	Set Screw 1/4 unc Soc. Hd.	2
3	TR10029	Drive Sprocket	1
4	F211000	Locknut 5/8 unc	1
5	F321000	Washer 5/8	2
6	TR10089	Spacer	1
7	F041024	Bolt 5/8 unc x 2 1/2 Gr.8	1
8	KD70003	Sprocket 18 T c/w Bearing	1
9	F210700	Locknut 7/16 unc	1
10	F020710	Carriage Bolt 7/16 unc x 1	1
11	F320600	Washer 3/8	1
12	F310700	Lockwasher 7/16	1
13	F040716	Bolt 7/16 unc x 1 3/4 Gr.8	1
14	TR30067	Sprocket Spindle	1
15	KB50003	Bearing	1
16	F310400	Lockwasher 1/4	1
17	F040406	Bolt 1/4 unc x 3/4 Gr.8	1
18	TR10005	Retaining Washer	1
19	KB11623	Bearing	1
20	TR30025	Intermediate Sprocket - Obsolete (Replaced by Item 36.)	1
21	KD71001	Chain Half Link #40 (if required)	1
22	KD71000	Chain Connecting Link #40	1
23	TR10096	Chain #40 Intermediate Sprocket to Transmission 39 1/2 in.	1
24	KD41001	Chain Half Link #50 (if required)	1
25	KD41000	Chain Connecting Link #50	1
26	TR10097	Chain #50 Roller to Int. Sprocket 48 1/2in.	1
27	F260800	Wheel Nut 1/2 unf	4
28	F220850	Jam Nut 1/2 unf	4
29	TR10027	Sprocket 72T (24in. Dia. Roller)	1
30	F210700	Locknut 7/16 unc	4
31	F320700	Washer 7/16	4
32	F020716	Carriage Bolt 7/16 unc x 1 3/4	4
33	MB30001	Bearing - Pillow Block	2
34	TR30010	Roller - 24 in. Dia. (Traction)	1
	TR30180	Roller - 24 in. Dia. (Smooth)	1
	TR30183	Roller - 24 in. Dia. (Traction. Heavy Duty)	1
35	KH00015	Pipe Plug 3/4 NPT. Sq. Hd. (Qty. 2 on early models)	1
36	TR50249	Intermediate Sprocket Assembly. See Note 2	1
37	TR10116	Intermediate Sprocket	1
38	TR10026	Sprocket	1
39	F120510	Bolt 5/16 x 1 Flat Hd. Hex Soc.	4
40	D001-054	Decal - "Warning Crushing Hazard..."	1
41	TR10098	Chain Guard. Lower	1
42	F040406	Bolt 1/4 unc x 3/4 Gr.8	4
43	F310400	Lockwasher 1/4	4
44	F320400	Washer 1/4	4
45	KH00026	Pipe Plug 2 NPT. Recessed Sq. Hd.	1

NOTE 1

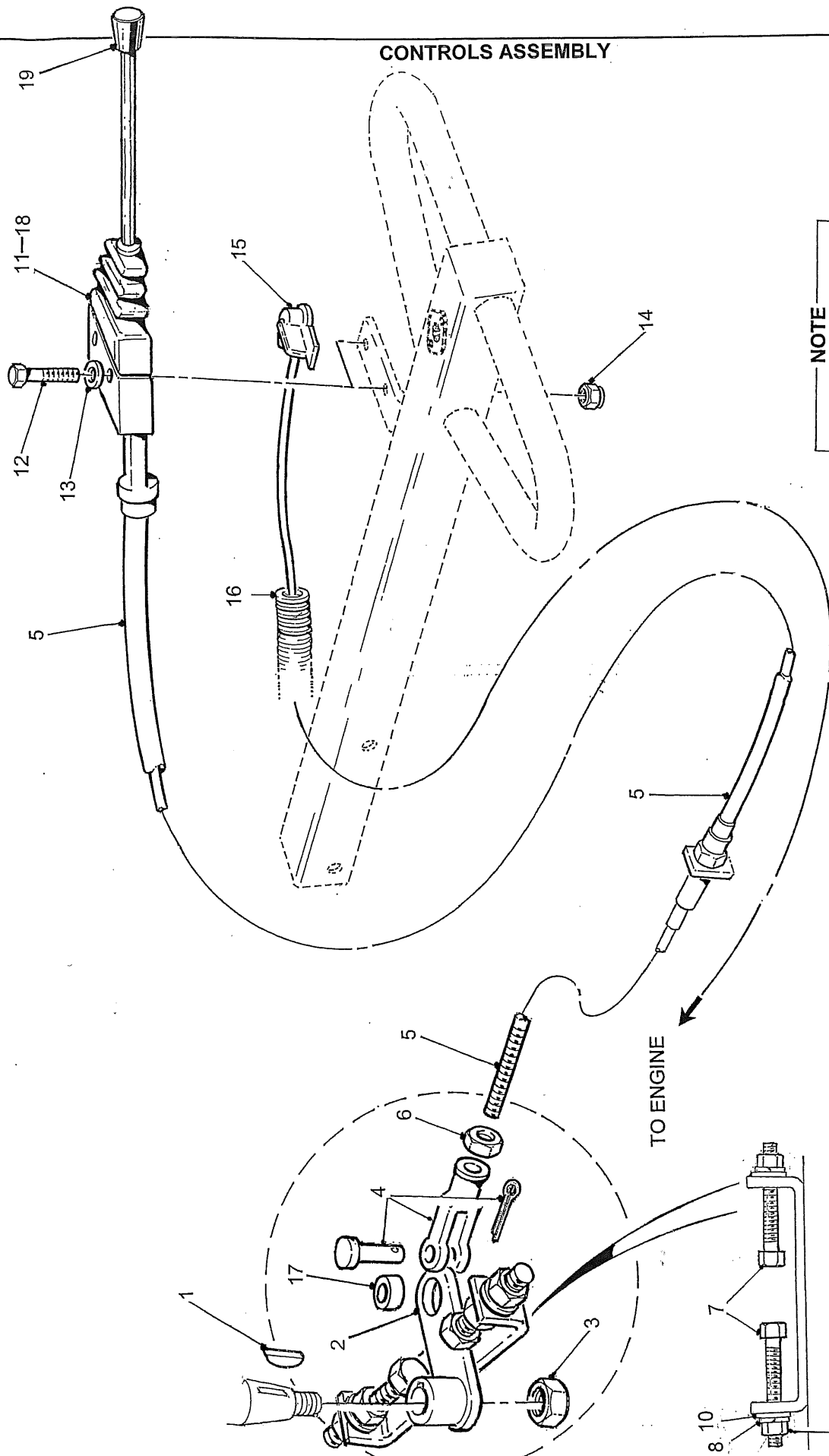
[TR30010](#) - Not Available.
Replaced by Assembly [TR50408](#).
[TR30180](#) - Not Available.
Replaced by Assembly [TR50409](#).
[TR30183](#) - Not Available.
Replaced by Assembly [TR50410](#).

See Note 1

NOTE 2

Use Part No. [TR50322](#) to order the Intermediate Sprocket Assembly c/w Bearings.

CONTROLS ASSEMBLY



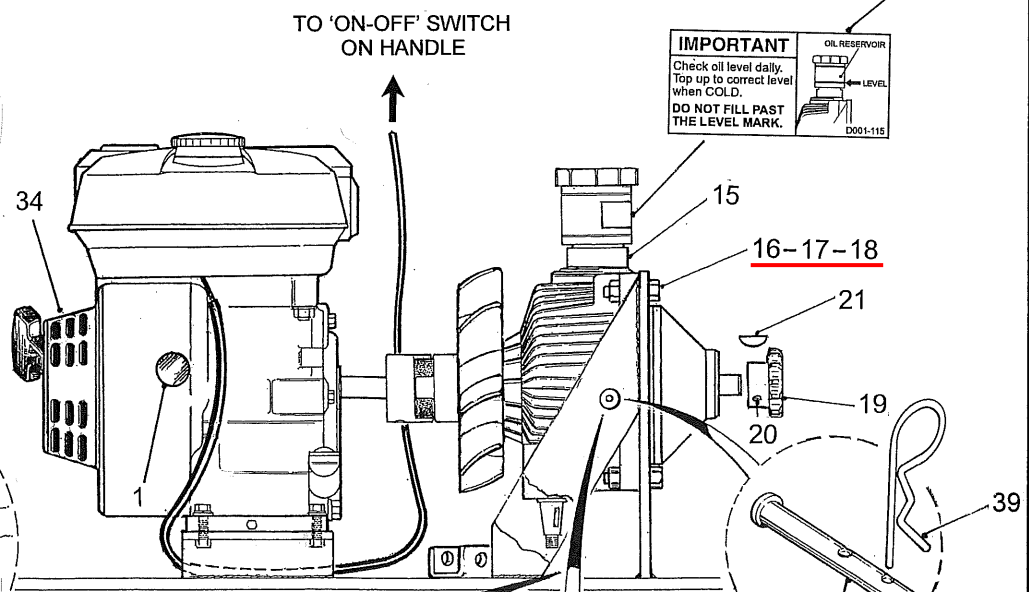
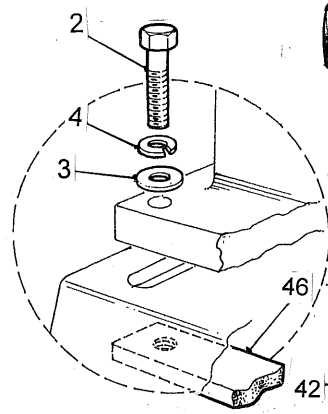
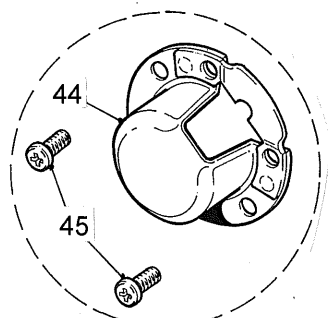
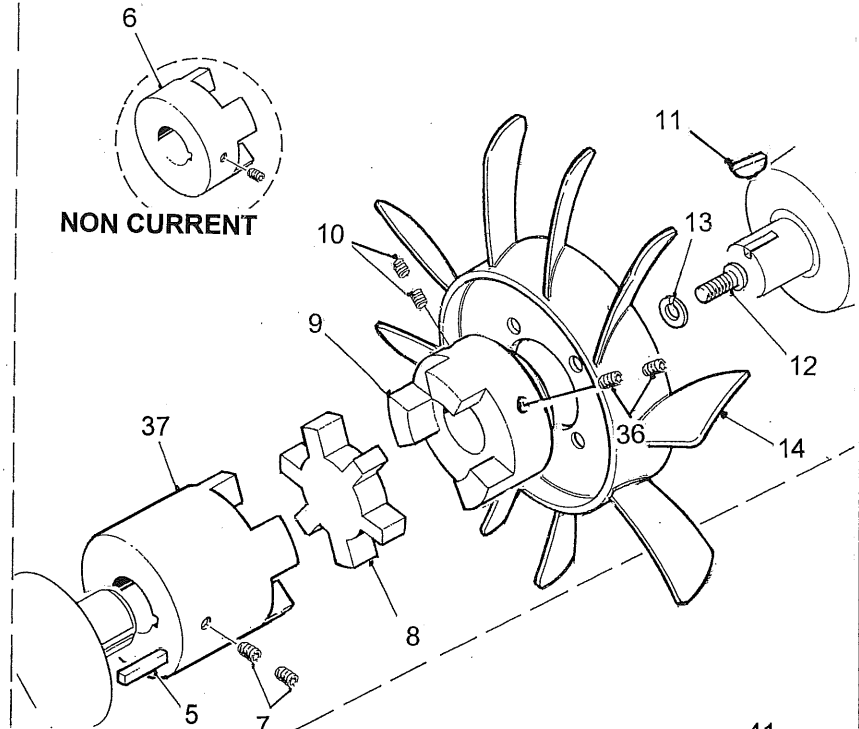
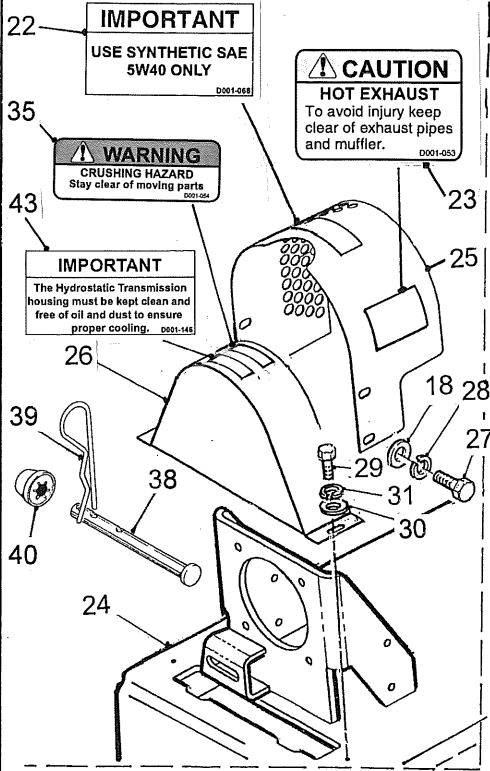
NOTE
See page 9 for Dead
Man Switch Assembly.

ITEM NO.	PART NO	DESCRIPTION	QTY
KTR 30 TURF ROLLER CONTROLS ASSEMBLY			
1	<u>F900404</u>	Woodruff Key 1/8 x 1/2	1
2	<u>TR30045</u>	Lever Arm	1
3	<u>F230600</u>	Nut 3/8 UNC (Locite)	1
4	<u>KD10026</u>	Clevis Cable End c/w Pin, Cotter Pin & Bushing	1
5	<u>KD10028</u>	Control Cable Ass'y (Non Current to Serial No.19)	1
	<u>KD10033</u>	Control Cable Ass'y (Current Serial No.20 onward)	1
6	<u>F220450</u>	Jam Nut 1/4 - 28 UNF	1
7	<u>F010516</u>	Bolt 5/16 UNC x 1 3/4	2
8	<u>F310500</u>	Lockwasher 5/16	2
9	<u>F230500</u>	Nut 5/16 UNC	2
10	<u>F320400</u>	Washer 1/4	2
11	<u>TR50195</u>	F-N-R Control Assembly c/w Cable	1
	<u>KD10027</u>	Control Assembly. F-N-R	1
12	<u>F040522</u>	Bolt 5/16 unc x 2 1/2 Gr.8	2
13	<u>F320400</u>	Washer 1/4	4
14	<u>F210500</u>	Locknut 5/16	2
15	<u>KD40025</u>	Switch 'ON-OFF' (Honda Part)	1
16	<u>TR50188</u>	Loom 'ON-OFF' Switch to Engine	Ref
17	<u>KB10404</u>	Bushing	1
18	<u>KD10044</u>	Control Assembly. Service Kit	1
19	<u>KM99055</u>	Knob	1

NOTE

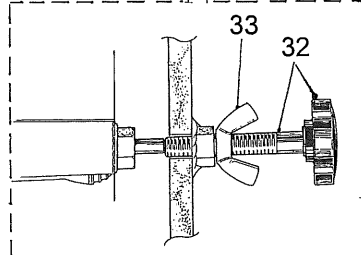
Item 18 - Control Assembly Service Kit includes a Bolt, Lockwasher, Cable End Bushing - KB10422, and Snap Ring - F830425.

ENGINE & TRANSMISSION ASSEMBLY



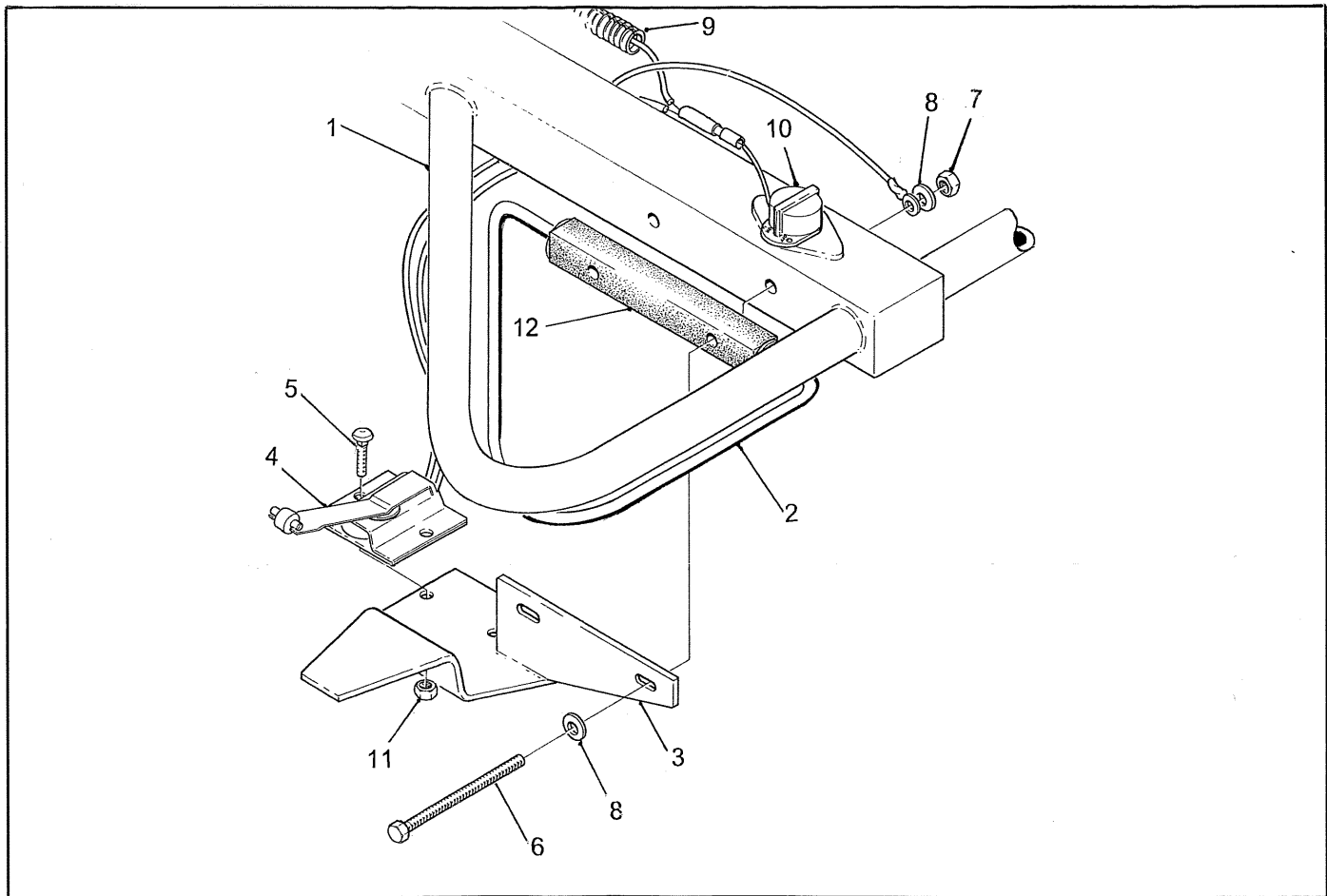
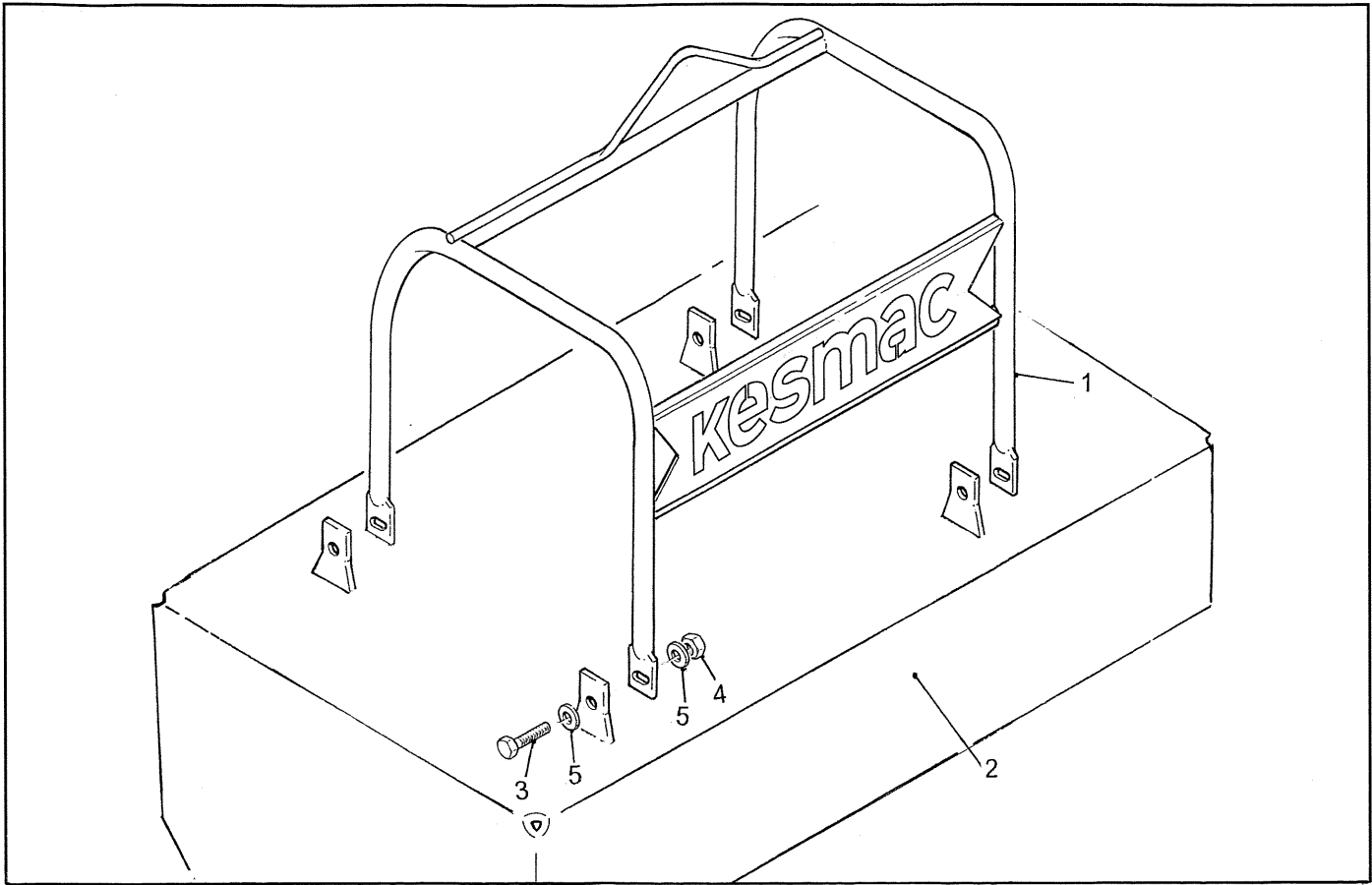
IMPORTANT
 Check oil level daily. Top up to correct level when COLD. DO NOT FILL PAST THE LEVEL MARK.
 OIL RESERVOIR
 LEVEL
 D001-115

WARNING
FREEWHEEL CONTROL
 To prevent possible injury to the operator and others: Do not activate the Freewheel Control if the engine is running or if the machine is on an incline.
 D001-134



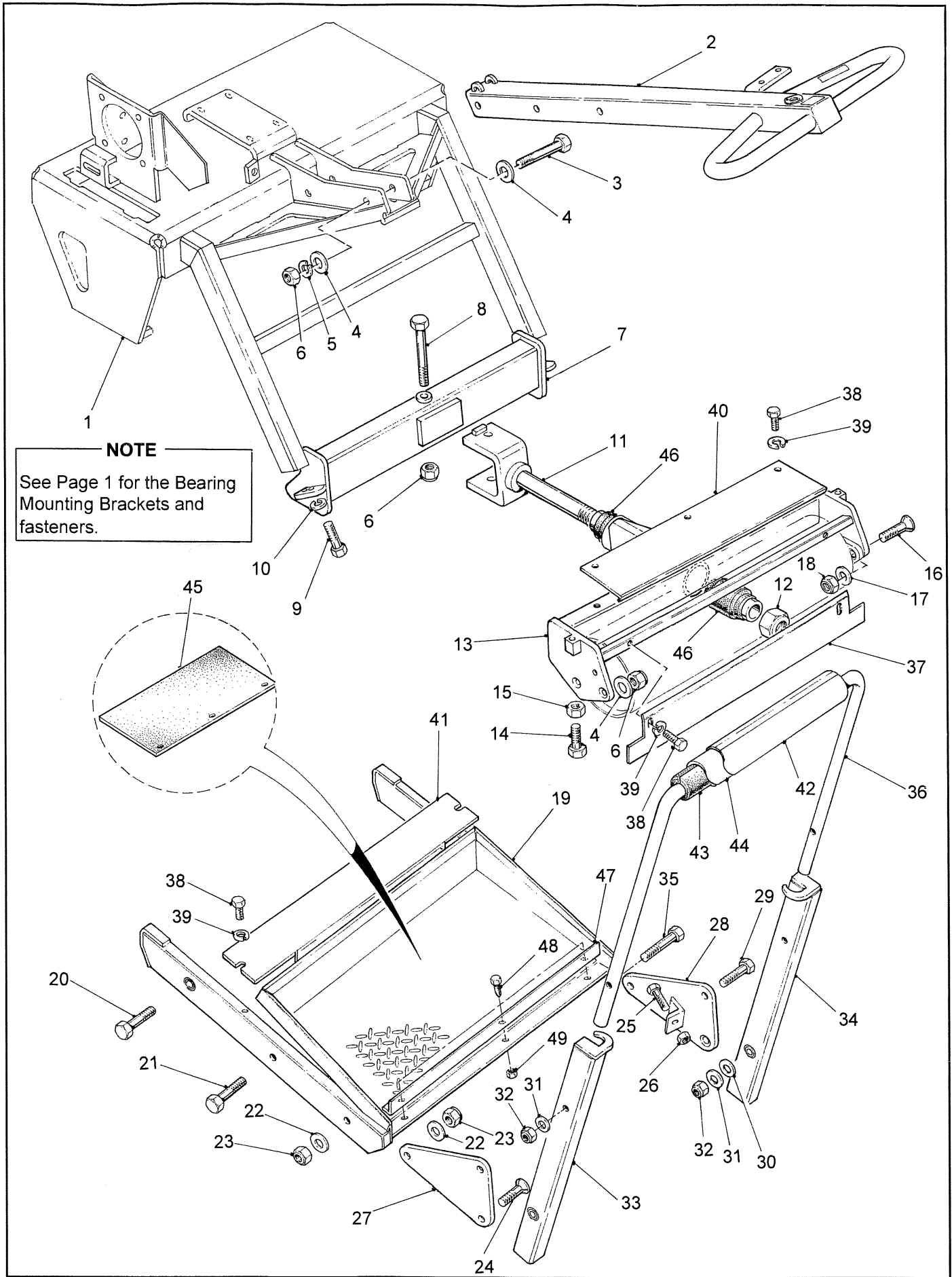
NOTE
 Replacement parts for the Eaton transmission must be ordered from the Eaton dealer in your area. Go to www.eatonhydraulics.com for information.

ITEM NO.	PART NO	DESCRIPTION	QTY
KTR 30 TURF ROLLER ENGINE & TRANSMISSION ASSEMBLY			
1	<u>KM30012</u>	Plug	1
2	<u>F010516</u>	Bolt 5/16 UNC x 1 3/4	4
3	<u>F320400</u>	Washer 1/4	4
4	<u>F310500</u>	Lockwasher 5/16	4
5	<u>F923310</u>	Key 3/16 x 3/16 x 1 (Engine shaft)	1
6	<u>KD85006</u>	Half Coupling (Engine) - Non Current to Serial No. 305	1
7	<u>F140502</u>	Set Screw UNC 5/16 Soc. Hd.	2
8	<u>KD85104</u>	Coupling Insert	1
9	<u>TR10028</u>	Half Coupling (Transmission)	1
10	<u>F140402</u>	Set Screw 1/4 UNC Soc. Hd.	2
11	<u>F900404</u>	Woodruff Key 1/8 x 1/2	2
12	<u>F700204</u>	Screw #10 - 24 x 1/2	4
13	<u>F310200</u>	Lockwasher #10	4
14	<u>TR10177</u>	Cooling Fan	1
15	<u>KD40017</u>	Transmission (Eaton Model 7)	1
16	<u>F010632</u>	Bolt 3/8 UNC x 3 1/4	4
17	<u>F210600</u>	Locknut 3/8 UNC	4
18	<u>F320500</u>	Washer 5/16	8
19	<u>TR10029</u>	Sprocket (Transmission Shaft)	1
20	<u>F140402</u>	Set Screw 1/4 UNC Soc. Hd.	2
21	<u>F900404</u>	Woodruff Key 1/8 x 1/2	1
22	<u>D001-068</u>	Decal - "Important Use Synthetic..."	1
23	<u>D001-053</u>	Decal - "Caution Hot Exhaust..."	1
24	<u>TR30033</u>	Roller Housing	1
25	<u>TR10030</u>	Fan Shroud	1
26	<u>TR30039</u>	Chain Guard	1
27	<u>F040606</u>	Bolt 3/8 unc x 3/4 Gr.8	4
28	<u>F310600</u>	Lockwasher 3/8	4
29	<u>F040406</u>	Bolt 1/4 unc x 3/4 Gr.8	2
30	<u>F320400</u>	Washer 1/4	2
31	<u>F310400</u>	Lockwasher 1/4	2
32	<u>TR50194</u>	Knob Thumbscrew Adjuster Assembly. Non Current up to Serial No. 450	1
33	<u>F420601</u>	Wing Nut. Non Current up to Serial No. 450	1
34	<u>KD40019</u>	Honda Engine GX 160 - See Note on Front Page of Parts List	1
35	<u>D001-054</u>	Decal - "Warning Crushing Hazard..."	1
36	<u>F140502</u>	Set Screw 5/16 unc x 1/4	2
37	<u>TR10239</u>	Half Coupling (Engine) - Current from Serial No. 306	1
38	<u>TR10320</u>	Pin. Free Wheeling. Current from Serial No. 451	1
39	<u>F940224</u>	Hitch Pin Clip. Current from Serial No. 451	1
40	<u>KX50105</u>	Push Cap Nut. Current from Serial No. 451	1
41	<u>D001-115</u>	Decal - "Important Check Oil Level..."	1
42	<u>D001-134</u>	Decal - "Warning Freewheel Control..." Current from Serial No. 451	1
43	<u>D001-146</u>	Decal - "Important Keep Hydrostatic Transmission clean..."	1
44	<u>KD40020</u>	Exhaust Deflector. Honda Engine GX 160	1
45	<u>KD40021</u>	Screw. Exhaust Deflector	2
46	<u>TR10170</u>	Nut Bar	2



ITEM NO.	PART NO.	DESCRIPTION	QTY
POWER PROTECTION ASSEMBLY			
1	<u>TR30106</u>	Roll Cage	1
2	<u>TR30033</u>	Roller Housing	1
3	<u>F040612</u>	Bolt- 3/8 unc x 1 1/4 Gr. 8	4
4	<u>F230600</u>	Nut 3/8 unc	4
5	<u>F320500</u>	Washer 5/16	8

ITEM NO.	PART NO.	DESCRIPTION	QTY
DEAD MAN SWITCH ASSEMBLY			
1	<u>TR30083</u>	Handle	1
2	<u>TR30099</u>	Dead Man Handle	1
3	<u>TR30101</u>	Switch Mounting Bracket	1
4	<u>KE80005</u>	Limit Switch	1
5	<u>F580204</u>	Bolt- #10 St. Stl. Pan Hd.	2
6	<u>F040440</u>	Bolt- 1/4 unc x 4 Gr. 8	2
7	<u>F230400</u>	Nut- 1/4 unc	2
8	<u>F320400</u>	Washer 1/4	4
9	<u>TR50188</u>	Loom Assembly	1
10	<u>KD40025</u>	ON-OFF' Switch	1
11	<u>F210300</u>	Locknut #10	2
12	<u>TR10100</u>	Pivot Mount. Dead Man Handle	1



ITEM NO.	PART NO.	DESCRIPTION	QTY
		KTR 30 TURF ROLLER "RIDE ON" ACCESSORY Available from Serial Number 467	
	<u>TR50318</u>	"Ride On" Accessory. Assembly	1
1	<u>TR30033</u>	Roller Housing	Ref.
2	<u>TR30284</u>	Handle	1
3	<u>F040840</u>	Bolt 1/2 unc x 4 Gr.8	2
4	<u>F320800</u>	Washer 1/2	4
5	<u>F310800</u>	Lockwasher 1/2	1
6	<u>F210800</u>	Locknut 1/2 unc	4
7	<u>TR30199</u>	Pivot Frame	1
8	<u>F040854</u>	Bolt 1/2 unc x 5 1/2 Gr.8	2
9	<u>F040612</u>	Bolt 3/8 unc x 1 1/4 Gr.8	4
10	<u>F310600</u>	Lockwasher 3/8	4
11	<u>TR30203</u>	Pivot Clevis	1
12	<u>F211600</u>	Locknut 1 in.-14 uns	1
13	<u>TR30207</u>	Roller Frame. 8 in.	1
14	<u>F040814</u>	Bolt 1/2 unc x 1 1/2 Gr.8	2
15	<u>F220800</u>	Jamnut 1/2 unc	4
16	<u>F121016</u>	Bolt 5/8 unc x 1 3/4 Soc. Hd. Gr.8	4
17	<u>F321000</u>	Washer 5/8	4
18	<u>F211000</u>	Locknut 5/8 unc	4
19	<u>TR30214</u>	Platform	1
20	<u>F040820</u>	Bolt 1/2 unc x 2 Gr.8	2
21	<u>F040720</u>	Bolt 7/16 unc x 2 Gr.8	2
22	<u>F320700</u>	Washer 7/16	4
23	<u>F210700</u>	Locknut 7/16 unc	4
24	<u>F120720</u>	Bolt 7/16 unc x 2 Sod. Hd. Gr.8	2
25	<u>F040610</u>	Bolt 3/8 unc x 1 Gr.8	2
26	<u>F220600</u>	Jamnut 3/8 unc	2
27	<u>TR30312</u>	Backrest. Mounting Bracket. L.H.	1
28	<u>TR30313</u>	Backrest. Mounting Bracket. R.H.	1
29	<u>F040720</u>	Bolt 7/16 unc x 2 Gr.8	2
30	<u>F380700</u>	Shimwasher 3/8	4
31	<u>F320600</u>	Washer 3/8	6
32	<u>F210600</u>	Locknut 3/8 unc	4
33	<u>TR30314</u>	Support Base. L.H.	1
34	<u>TR30315</u>	Support Base. R.H.	1
35	<u>F040630</u>	Bolt 3/8 unc x 3	2
36	<u>TR10247</u>	Backrest	1
37	<u>TR10056</u>	Scraper 8 in. Roller	1
38	<u>F040406</u>	Bolt 1/4 unc x 3/4 Gr.8	7
39	<u>F320400</u>	Flatwasher 1/4	7
40	<u>TR10316</u>	Foot Guard. Roller	1
41	<u>TR10317</u>	Foot Guard. Platform	1
42	<u>TR10321</u>	Cushion Cover. Backrest	1
43	<u>TR10324</u>	Inner Padding. Backrest	1
44	<u>TR10325</u>	Outer Padding. Backrest	1
45	<u>TR10326</u>	Foot Pad	1
46	<u>KS50001</u>	Isolator	2
47	<u>TR10329</u>	Retainer. Foot Pad	1
48	<u>F580406</u>	Bolt 1/4 unc x 3/4 Pan Hd. Lg.	3
49	<u>F210400</u>	Locknut 1/4 unc	3

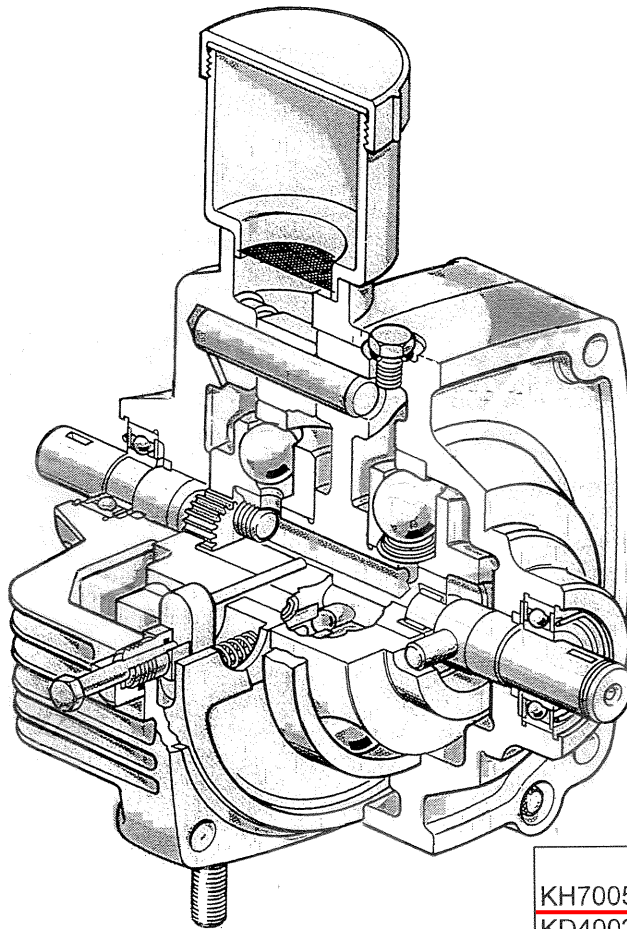
NOTE

Turf Rollers with the serial numbers 355, 429 & 439 are also equipped with the 'Ride On' accessory.

**Eaton
Hydraulics
Division**

Parts Information

Model 7 Eaton Hydrostatic Transmission



NOTE

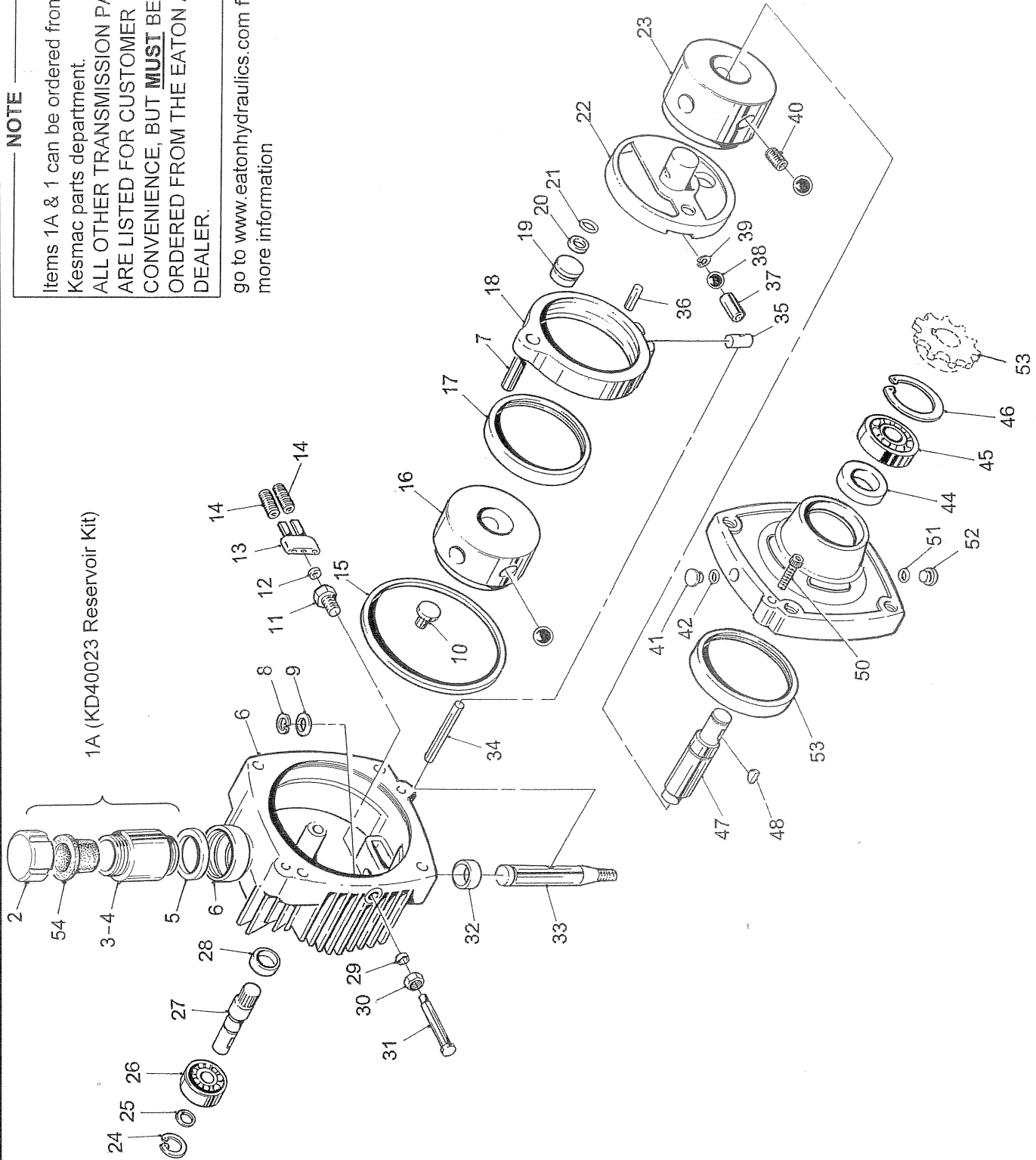
KH70055 Transmission Overhaul Kit & KD40023 Reservoir Kit can be ordered from Kesmac parts department. ALL OTHER TRANSMISSION PARTS ARE LISTED FOR CUSTOMER CONVENIENCE, BUT **MUST** BE ORDERED FROM THE EATON AREA DEALER.
go to www.eatonhydraulics.com for more information



NOTE

Items 1A & 1 can be ordered from Kesmac parts department. ALL OTHER TRANSMISSION PARTS ARE LISTED FOR CUSTOMER CONVENIENCE, BUT **MUST** BE ORDERED FROM THE EATON AREA DEALER.

go to www.eatonhydraulics.com for more information



ITEM NO.	PART NO.	DESCRIPTION	QTY
EATON MODEL 7 HYDROSTATIC TRANSMISSION			
1	<u>KH70055</u>	Transmission Overhaul Kit	
1A	<u>KD40023</u>	Transmission Reservoir Kit	1
2	<u>103531</u>	Reservoir Cover	1
3	<u>104322</u>	Reservoir Body	1
4	<u>104068</u>	Reservoir Diaphragm	1
5	<u>008771-130</u>	Square Cut Seal Ring	1
6	<u>990176</u>	Cover Sevice Kit	1
7	<u>93881</u>	Pivot Pin Dowel	1
8	<u>096098-062</u>	External Retaining Ring	1
9	<u>95060</u>	Control Shaft Washer	1
10	<u>101597</u>	Button	1
11	<u>24234</u>	'O' Ring Fitting Guide Sub-assembly	1
12	<u>008761-010</u>	'O' Ring	1
13	<u>24166</u>	Bracket - Pins Sub-assembly	1
14	<u>72149</u>	Valve Spring	2
15	<u>008771-162</u>	Square Cut Seal Ring	1
16	<u>22712</u>	Pump Rotor - Ball Sub-assembly	1
17	<u>40520</u>	Pump Race	1
18	<u>102623</u>	Cam Ring	1
19	<u>102451</u>	Piston	2
20	<u>088770-113</u>	Back-up Ring	2
21	<u>008765-113</u>	'O' Ring	2
22	<u>102454</u>	Pintle Sub-assembly	1
23	<u>104111</u>	Motor Rotor- Ball Sub-assembly	1
24	<u>101680-156</u>	Retaining Ring	1
25	<u>97121</u>	Snap Ring	1
26	<u>90797</u>	Ball Bearing (Input)	1
27	<u>62184</u>	Input Shaft	1
28	<u>93955</u>	Oil Seal	1
29	<u>82112</u>	Gasket	1
30	<u>24235</u>	Nut - Gasket Sub-assembly	1
31	<u>62240</u>	Dump Valve Shaft	1
32	<u>93895</u>	Oil Seal	1
33	<u>990083</u>	Control Shaft Kit	1
34	<u>990083</u>	Dowel 3/8 dia. x 1 3/4 lg.	1
35	<u>95203</u>	Cam Ring Insert	1
36	<u>098294-075</u>	Coil Pin 5/16 dia. x 3/4 lg.	1
37	<u>70130</u>	Check Valve Body	2
38	<u>0095881-031</u>	Grade 200 Ball 5/16 dia.	2
39	<u>95214</u>	Retaining Ring	2
40	<u>70044</u>	Piston Spring	5
41	<u>025090-006</u>	'O' Ring Plug Sub-assembly	1
42	<u>008785-006</u>	Tube Fitting 'O' Ring	1
43	<u>32278</u>	Body	1
44	<u>93955</u>	Oil Seal	1
45	<u>90797</u>	Ball Bearing (Output)	1
46	<u>101680-156</u>	Retaining Ring	1
47	<u>22892</u>	Output Shaft Sub-assembly	1
48	<u>N/A</u>	Woodruff Key #3	1

NOTE

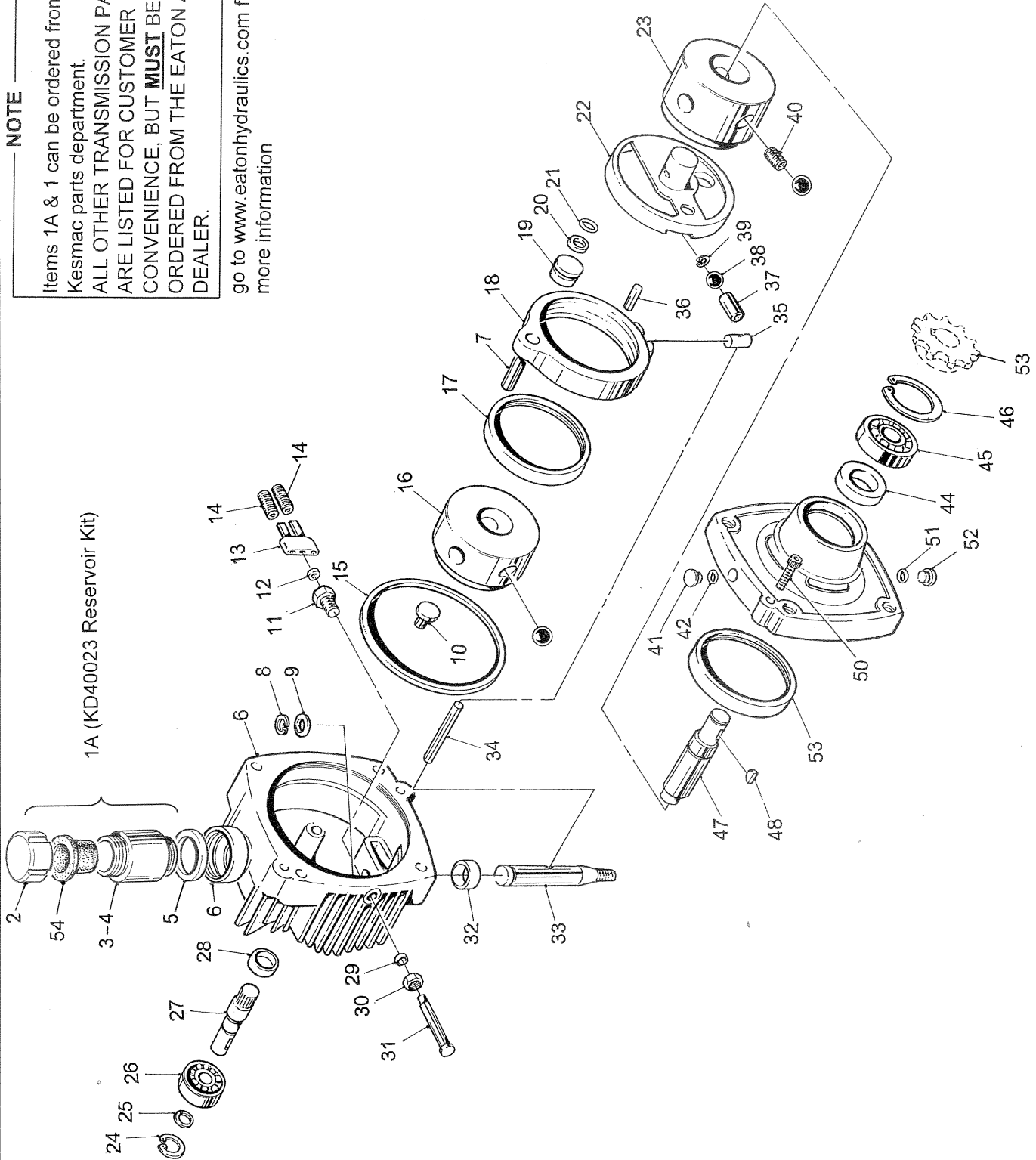
Items 1A & 1 can be ordered from Kesmac parts department. ALL OTHER TRANSMISSION PARTS ARE LISTED FOR CUSTOMER CONVENIENCE, BUT **MUST** BE ORDERED FROM THE EATON AREA DEALER.

go to www.eatonhydraulics.com for more information

NOTE

Items 1A & 1 can be ordered from Kesmac parts department. ALL OTHER TRANSMISSION PARTS ARE LISTED FOR CUSTOMER CONVENIENCE, BUT **MUST** BE ORDERED FROM THE EATON AREA DEALER.

go to www.eatonhydraulics.com for more information



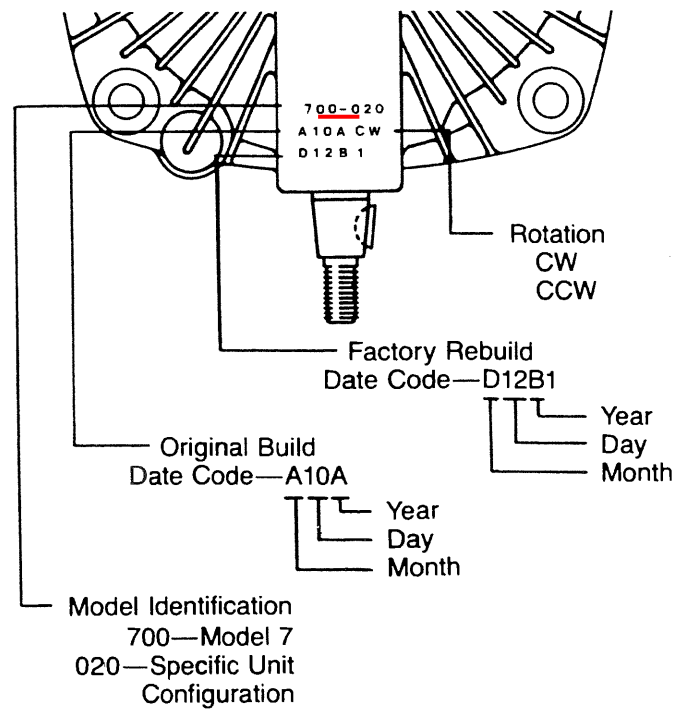
ITEM NO.	PART NO.	DESCRIPTION	QTY
EATON MODEL 7 HYDROSTATIC TRANSMISSION			
49	<u>40519</u>	Motor Race	1
50	<u>095912-125</u>	Socket Hd. Capscrew	2
51	<u>008785-006</u>	Tube Fitting 'O' Ring	1
52	<u>025090-005</u>	'O' Ring Plug Assembly	1
53	<u>TR10029</u>	Sprocket (Transmission Shaft)	ref
54	<u>KD40033</u>	Diaphram. Reservoir - Current from Serial No. 450	1

EATON®
MODEL 7
HYDROSTATIC PUMP
PARTS INFORMATION
NO. 6-606

HOW TO ORDER
REPLACEMENT PARTS

EACH ORDER MUST INCLUDE
THE FOLLOWING INFORMATION

1. Product Number
2. Date Code
3. Part Name
4. Part Number
5. Quantity of Parts



Eaton Corporation **Hydraulics Division** 15151 Highway 5 Eden Prairie, MN 55344 Telephone (612) 937-9800





Kesmac Inc.

23324 Woodbine Avenue, Keswick Ontario Canada L4P 3E9

Tel (905) 476-6222 Fax (905) 476-6744

Web Site www.brouwerturf.com Email info@kesmac.com