

# MAGNUM SR SERIES

## PARTS MANUAL



**MAGNUM 300SR**  
**MAGNUM 420SR**  
**MAGNUM 480SR**

Bucyrus Equipment Co., Inc.  
Box 156, 209 Main  
Hillsdale, Ks 66036  
1-800-330-0857  
[www.magnumharvesters.com](http://www.magnumharvesters.com)

RE-ORDER NUMBER: SRMANUAL  
REVISION: SR-100020





## **SR SERIES**

# **MAGNUM 300SR/420SR/480SR PARTS MANUAL**

The purpose of this manual is for parts identification of the Magnum SR series harvester. This manual is not to be used for assembly. This manual includes parts lists and illustrations of all available replacement parts for the Magnum SR series harvesters. A table of contents is placed at the beginning of the manual for location of specific parts. Keep this manual available for reference in the shop area.

At the time of publication all information contained in this manual was technically correct. However, all materials and specifications are subject to change without notice.

Comments and suggestions about this manual may be directed to: Bucyrus Equipment Co., Inc., PO Box 156-209 Main, Hillsdale, KS 66036. Phone 1-800-330-0857

©Copyright 2005 BECI. All information contained within this publication is based on the latest product information at the time of publication. Due to constant improvements in the design and quality of production components, some minor discrepancies may result between the actual vehicle and the information presented in this publication. Depictions and/or procedures in this publication are intended for reference use only. No liability can be accepted for omissions or inaccuracies. Any reprinting or reuse of the depictions and/or procedures contained within, whether whole or in part, is expressly prohibited. Printed in U.S.A.

## TABLE OF CONTENTS

<b>Section 1</b> .....	<b>420/480 Floating Heads</b>
<b>Section 2</b> .....	<b>420/480 Solid Heads/Coulter Option</b>
<b>Section 3</b> .....	<b>300 Solid Heads/Coulter Option</b>
<b>Section 4</b> .....	<b>Depth Control</b>
<b>Section 5</b> .....	<b>1<sup>st</sup> Conveyor</b>
<b>Section 6</b> .....	<b>2<sup>nd</sup> Conveyor</b>
<b>Section 7</b> .....	<b>Chop Offs</b>
<b>Section 8</b> .....	<b>Net Dispenser</b>
<b>Section 9</b> .....	<b>Ramps</b>
<b>Section 10</b> .....	<b>Tube Racks</b>
<b>Section 11</b> .....	<b>Control Panel Box</b>
<b>Section 12</b> .....	<b>Wheel/Hub Assembly</b>
<b>Section 13</b> .....	<b>Hydraulic Components</b>
<b>Section 14</b> .....	<b>Valve Body</b>
<b>Section 15</b> .....	<b>Flow Control Valve</b>

**Section 16 ..... Chop Valve**

**Section 17 ..... Accumulator**

**Section 18 ..... Hydraulic Tank/Incraser**

**Section 19 ..... Hose/Hardline Mounts**

**Section 20 ..... Electrical Components**

## 420/480 FLOATING HEADS

<b>Parts List</b>			
<b>ITEM</b>	<b>QTY</b>	<b>PART NUMBER</b>	<b>DESCRIPTION</b>
1	1	SR-1A100D	Left head frame
2	1	SR-1A100C	Right head frame
3	6	15369	Cap screw 3/4-10 X 4 grade 8
4	6	37274	Locknut 3/4"-10
5	1	1W006 (420) 1W006-48 (480)	Undercarriage
6	18	37015	Locknut 10-32
7	6	30224-2	Spherical bearing
8	6	1W007	Retainer
9	18	23169	Screw 10-32 X 1 1/4
10	12	1P008	Spacer - obsolete, not required with 30224-2
11	1	DS80-X	Hydraulic motor
12	1	CH100	Coupling half
13	1	CH114	Coupling half
14	1	CC416	Coupling chain
15	1	WDRF1/4X1	Woodruff key
16	1	40-2	Master link
17	8	13827	Cap screw-5/8"-11 X 2"
18	8	33819	Flat washer- 5/8"
19	1	HDRR100	Shaft
20	2	P48-14M-40	Sprocket
21	1	1778-14M-40HT200	Right belt
22	4	P2B-SCM-115	Pillow block bearing
23	1	S1000	Drive shaft
24	2	200-1200	Universal joint
25	1	HDRL100	Shaft
26	1	38718	Cap screw- 12-1.75 X 100 mm
27	1	P2B-ASSY	Idler pulley
28	1	1610-14M-40HT200	Left belt
29	2	XO32	Spacer
30	8	33012	Flat washer - 1/2"
31	2	2517X2 1/2 KW	Taper-lock bushing
32	6	25663	Screw, included with #31 above
33	1	SC110	Motor Plate
34	4	33895	Lock washer - 1/2"
35	4	1140309	Nut - 12-1.75 mm
36	4	RW1100	Bumper mounting bracket
37	4	13157	Cap screw - 7/16-14 X 1.25
38	4	MRG1608	Bumper
39	4	33895	Lock washer - 1/2" high alloy
40	4	36310	Nut - 1/2"-13 grade 5
41	2	110120380	Cap screw - 1/2"-13 X 1.5" grade 5
42	2	33817	Flat washer - 1/2" SAE
43	1	HDR201	Right head plate
44	1	HDR200	Left head plate
45	2	33895	Lock washer - 1/2" high alloy

## 420/480 FLOATING HEADS

<b>Parts List</b>			
<b>ITEM</b>	<b>QTY</b>	<b>PART NUMBER</b>	<b>DESCRIPTION</b>
46	2	<u>36310</u>	Nut – ½”-13 grade 5
47	1 Pair	<u>STDA100-SR</u>	Set of Depth Control Adjusters
47	1/head	<u>STE 003-SR</u>	Individual depth control assembly (individual components listed under ELECTRIC DEPTH CONTROL section)
48	4/head	<u>36310</u>	Nut – ½”-13 grade 5
49	4/head	<u>33893</u>	3/8" Zinc Finish High Alloy Lock Washer
50	1/head	<u>S1822 (420)</u> <u>S1822-48 (480)</u>	Top Shaft
51	2/head	<u>PB118-BECL</u>	Pillow block bearing- modified
52	4/head	<u>13212</u>	1/2"-13 x 2-1/4" Zinc Finish Grade 5 Cap Screw
53	2/head	<u>1B011</u>	Adjustment handle
54	2/head	<u>1 1/2inKEYSTOCK</u>	Square key – 1.5" long
55	2/head	<u>13220</u>	1/2"-13 x 4-1/4" Grade 5 Zinc Finish Cap Screw
56	2/head	<u>37268</u>	1/2"-13 Zinc Finish Grade C Top Lock Nut
57	2/head	<u>1P006</u>	Eccentric cam
58	2/head	<u>1P007</u>	Arm plate
59	2/head	<u>1P005</u>	Eccentric cam cover
60	2/head	<u>1P004</u>	Cutter arm
61	8/head	<u>33893</u>	3/8" Zinc High Alloy Medium Split Lock Washer
62	8/head	<u>13107</u>	3/8"-16 x 1-1/4" Zinc <u>J429</u> Grade 5 Cap Screw
63	8/head	<u>33859</u>	3/8" Zinc Finish USS Thru-Hardened Flat Washer
64	6/head	<u>33893</u>	3/8" Zinc Finish High Alloy Split Lock Washer
65	6/head	<u>13105</u>	3/8"-16 x 1" Zinc Finish <u>J429</u> Grade 5 Cap Screw
66	8/head	<u>13107</u>	3/8"-16 x 1-1/4" Zinc <u>J429</u> Grade 5 Cap Screw
67	4/head	<u>B6205</u>	Wrist shaft bearing
68	2/head	<u>1P003</u>	Bearing block
69	4/head	<u>TR244</u>	Snap ring
70	4/head	<u>B6305</u>	Bearing
71	2/head	<u>1P002</u>	Connecting rod
72	2/head	<u>1P002-BLK</u>	Connecting rod cap
73	4/head	<u>13113</u>	3/8" - 16 X 2.5" Grade 5 Cap Screw
74	4/head	<u>36306</u>	3/8"-16 Zinc Finish Grade 5 Finished Hex Nut
75	2/head	<u>PB200</u>	Pillow block bearing-long head (right head)
	2/head	<u>PB200-BECL</u>	Pillow block bearing-short head (left head)
76	4/head	<u>33863</u>	5/8" Zinc Finish USS Thru-Hardened Flat Washer
77	4/head	<u>13319</u>	5/8"-11 x 4" Grade 5 Zinc Finish Hex Cap Screw
78	2/head	<u>13217</u>	1/2"-13 x 3-1/2" Grade 5 Zinc Finish Cap Screw
79	2/head	<u>13216</u>	½"-13 X 3.25" cap screw grade 5
80	1	<u>S1821 (420)</u>	Left head wrist shaft
	1	<u>S1820 (420)</u>	Right head wrist shaft
80	1	<u>S1821-48 (480)</u>	Left head wrist shaft
	1	<u>S1820-48 (480)</u>	Right head wrist shaft
81	4/head	<u>36314</u>	5/8"-11 Zinc Finish Grade 5 Finished Hex Nut
82	4/head	<u>33897</u>	5/8" Zinc Finish High Alloy Split Lock Washer

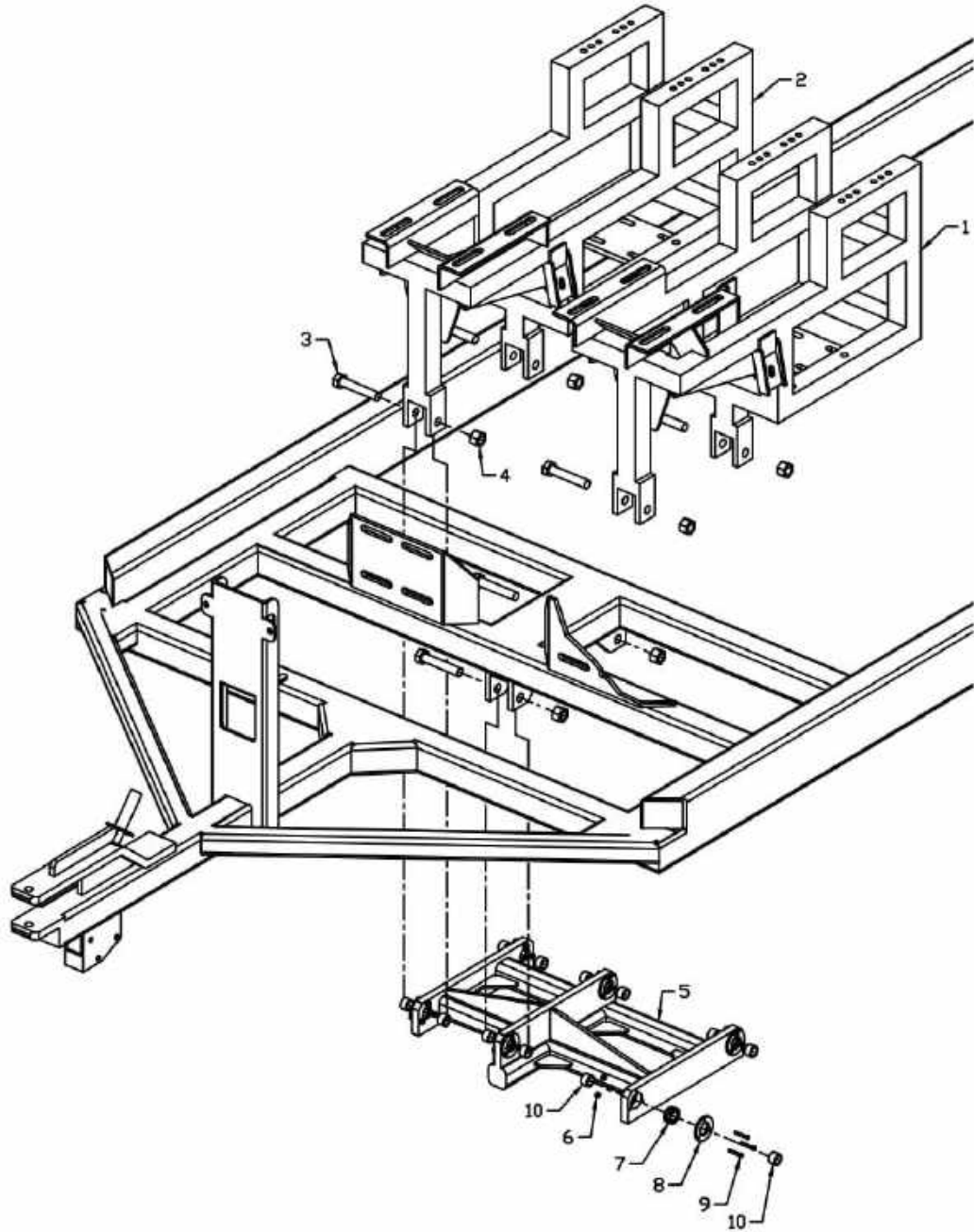


## 420/480 FLOATING HEADS

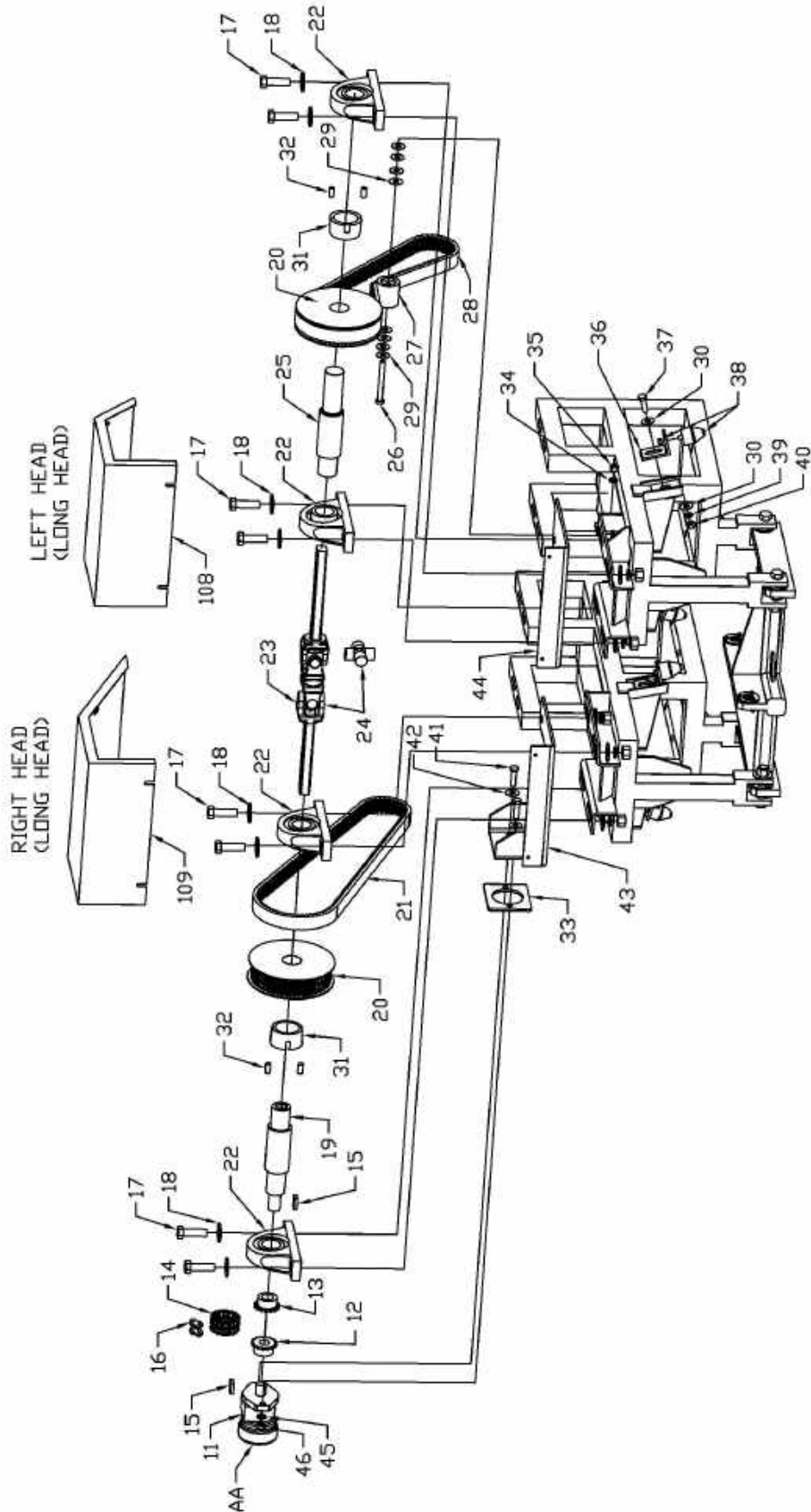
<b>Parts List</b>			
<b>ITEM</b>	<b>QTY</b>	<b>PART NUMBER</b>	<b>DESCRIPTION</b>
83	1/head	<u>S2015</u>	Eccentric shaft
84	1/head	<u>2012X2</u>	Taper-lock bushing
85	3/head	<u>25636</u>	7/16-14 7/8" long set screw. Included with 84
86	1/head	<u>P30-14M-40</u>	Sprocket
87	4/head	<u>36310</u>	1/2"-13 Zinc Finish Grade 5 Finished Hex Nut
88	4/head	<u>33895</u>	1/2" Zinc Finish High Alloy Split Lock Washer
89	4/head	<u>33012</u>	1/2" Zinc Finish USS Flat Washer
90	8/head	<u>13003</u>	1/4"-20 x 3/4" Grade 5 Zinc Finish Hex Cap Screw
91	2/head	<u>PL100</u>	Spring hinge
92	3	<u>1B812 (420)</u>	Scraper 8 1/2"
	1	<u>1B800 (420)</u>	Scraper 8"
92	1	<u>1B812-48L (480)</u>	Scraper 10", Left
	2	<u>1B812-48R (480)</u>	Scraper 10", Right
	1	<u>1B800-48 (480)</u>	Scraper 9"
93	8/head	<u>33891</u>	1/4" Zinc Finish High Alloy Split Lock Washer
94	4/head	<u>36302</u>	1/4"-20 Zinc Finish Grade 5 Finished Hex Nut
95	1/head	<u>3A7000N</u>	Ground roller pedestal
96	1/head	<u>X028S</u>	Ground roller shaft
97	2/head	<u>37264</u>	3/8 - 16 lock nut
98	8/head	<u>30422</u>	Lug nut
99	3	<u>1W004 (420)</u>	Ground roller 8 1/2"
	1	<u>1W005 (420)</u>	Ground roller 8"
99	3	<u>1W004-48 (480)</u>	Ground roller 10"
	1	<u>1W005-48 (480)</u>	Ground roller 9"
100	2/head	<u>078WASH</u>	Machine washer
101	2/head	<u>045WASH</u>	Machine washer
102	2/head	<u>30421H</u>	Hub
103	2/head	<u>13115</u>	3/8"-16 x 3" Zinc Finish <u>J429</u> Grade 5 Cap Screw
104	8/head	<u>1136408</u>	7/16"-14 Zinc Finish Grade 8 Finished Hex Nut
105	2/head	<u>FC108</u>	Flange bearing
106	4/head	<u>13213</u>	1/2"-13 x 2-1/2" Grade 5 Zinc Finish Cap Screw
107	4/head	<u>33012</u>	1/2" Zinc Finish USS Flat Washer
108	1	<u>1A901</u>	Left head shield
109	1	<u>1A902</u>	Right head shield
110		<u>Blades See Page 1.8</u>	Cutter Blades
<b>Repair Kits</b>			
AA	1	<u>11188319</u>	Seal kit for <u>DS80-X</u> hydraulic motor



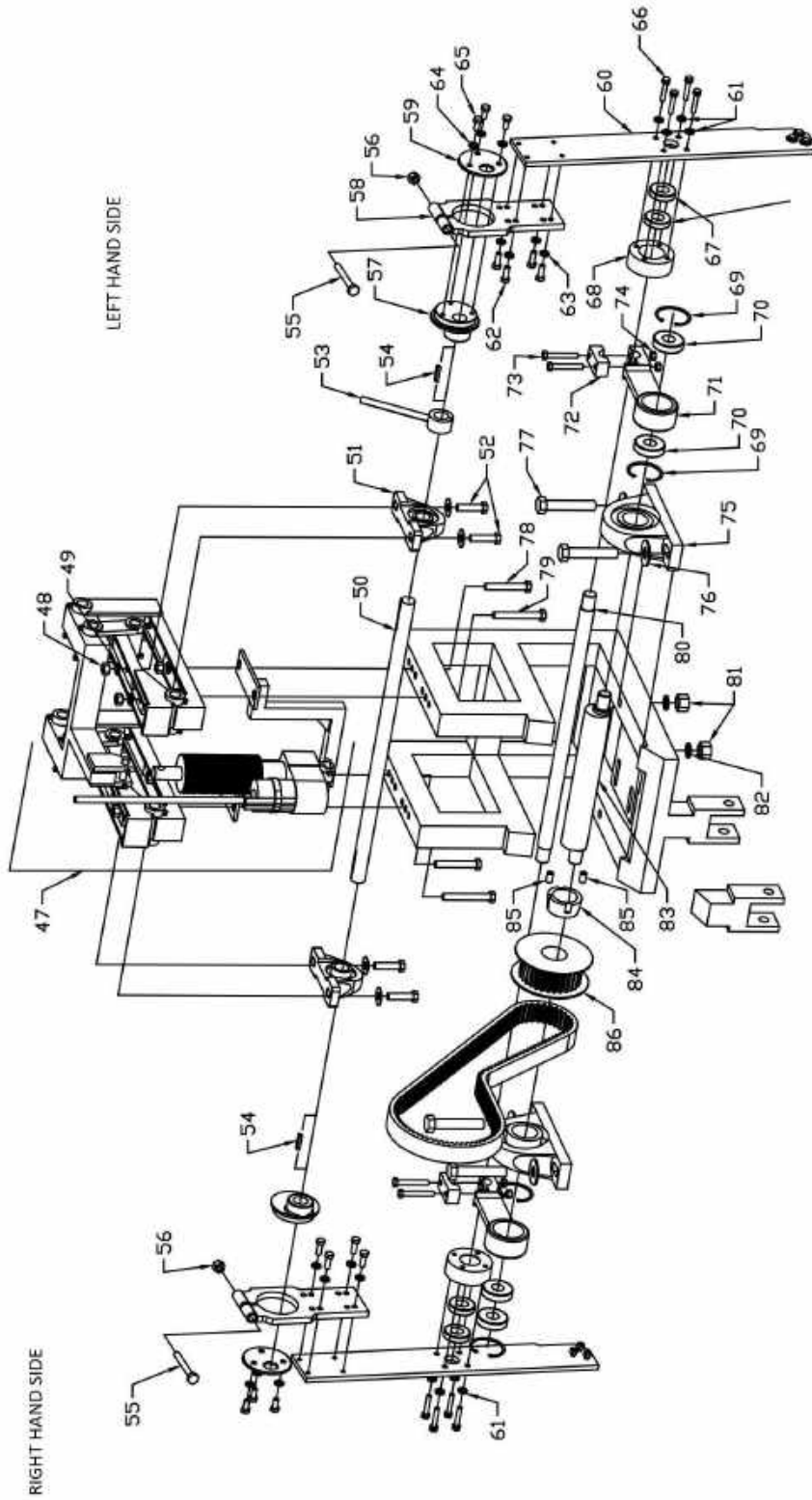
420/480 FLOATING HEADS

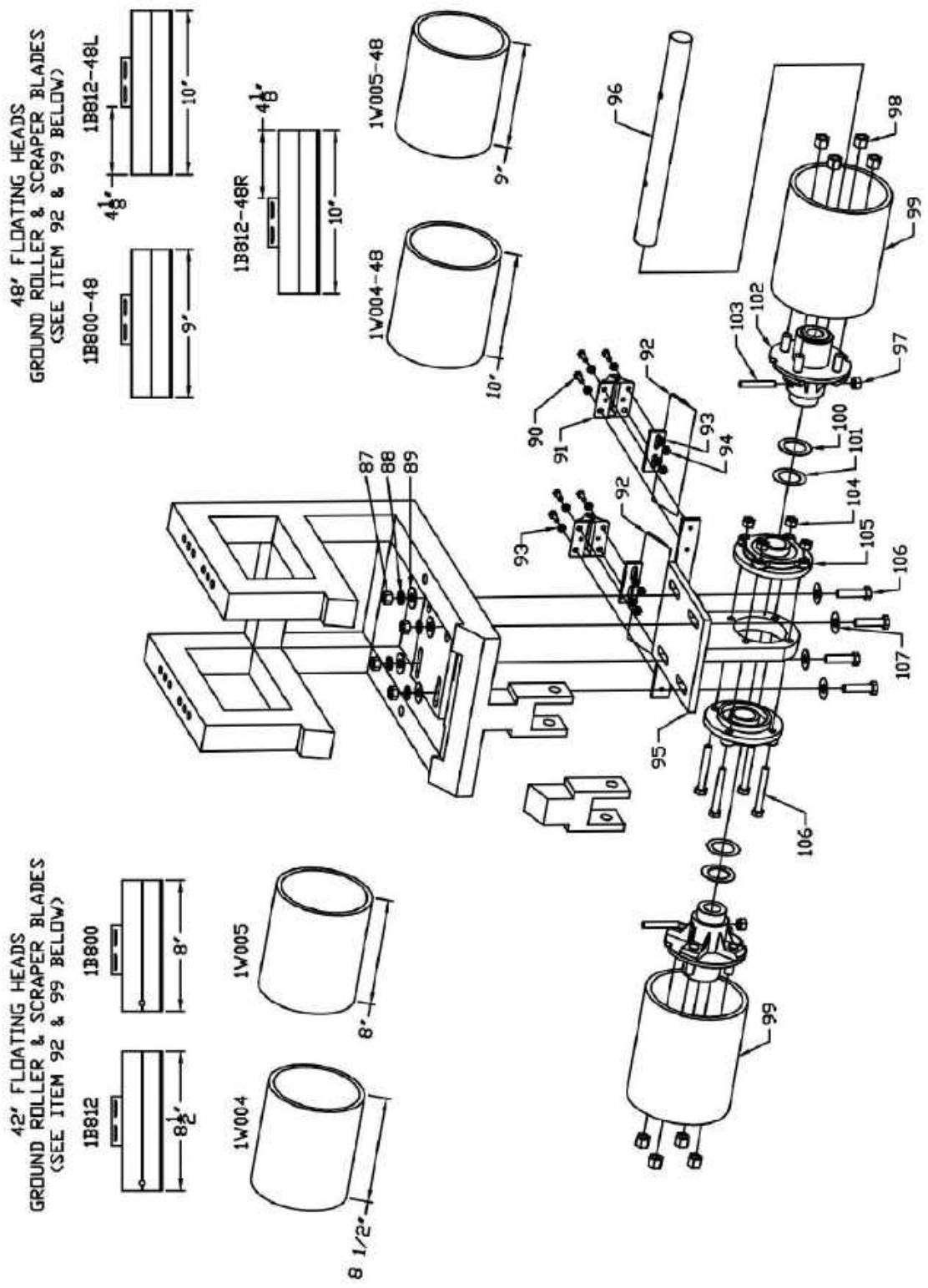


420/480 FLOATING HEADS



NOTE: LEFT HEAD SHOWN  
ON RIGHT HEAD, LEFT HAND SIDE ONLY,  
ITEM #60 BOLTS ONTO THE INSIDE OF ITEM #58



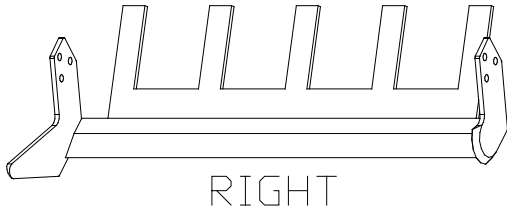


---

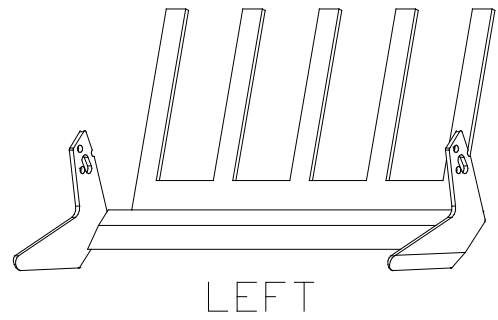
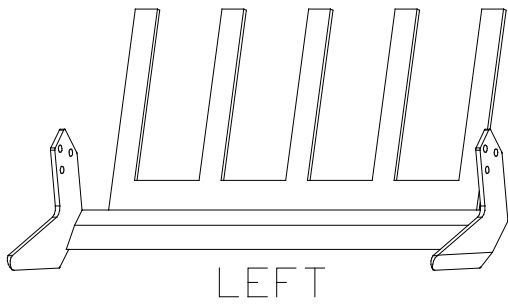
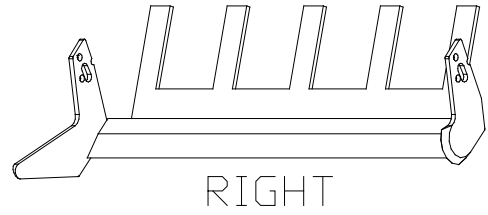
**420/480 FLOATING HEADS**

---

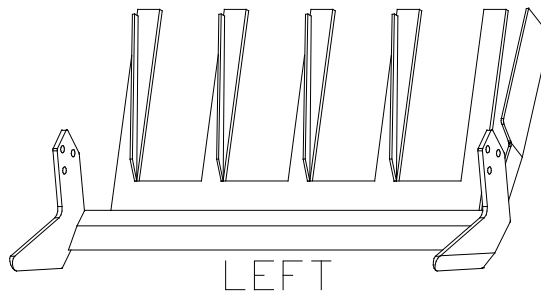
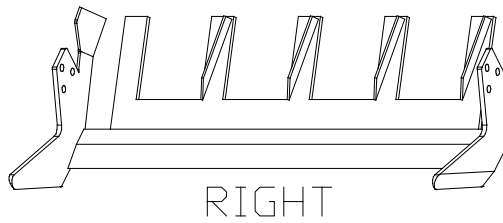
REG. CUT BLADES  
RR10C-XX



QUICK HITCH BLADES  
RR10CQH-XX



STRIP CUT BLADES  
RR10S-XX



**NOTES:**



## 420/480 SOLID HEAD

Parts List			
ITEM	QTY	PART NUMBER	DESCRIPTION
1	1	<u>1A100D-42S (420)</u> <u>1A100D-48S (480)</u>	Cutter head frame
2	6	<u>15365</u>	3/4-10 X 3 grade 8 Cap screw
3	6	<u>37274</u>	3/4-10 Locknut
4	1	<u>1W006 (420)</u> <u>1W006-48 (480)</u>	Undercarriage
5	12	<u>1P008</u>	Spacer - obsolete, not required with <u>30224-2</u>
6	18	<u>37015</u>	#10-32 Zinc Finish NM Grade 2 Nylon Lock Nut
7	6	<u>30224-2</u>	3/4" Spherical bearing with shoulder
8	6	<u>1W007</u>	Retainer
9	18	<u>23169</u>	#10-32 x 1-1/4" Black Oxide Socket Cap Screw
10	1	<u>S1414</u>	Drive shaft
11	2	<u>1 1/2inKEYSTOCK</u>	1/4" Square key, 1 1/2" long
12	4	<u>13213</u>	1/2"-13 x 2-1/2" Grade 5 Zinc Finish Hex Cap Screw
13	4	<u>33012</u>	1/2" Zinc Finish USS Flat Washer
14	2	<u>PB114</u>	Pillow-block bearing
15	1	<u>RBP44-3</u>	V-belt
16	1	<u>SH800</u>	Sheave
17	1	<u>BU114</u>	Bushing
18	1	<u>CH114-BECI</u>	Coupling half
19	1	<u>CH100-BECI</u>	Coupling half
20	1	<u>CC416</u>	Coupling chain
21	1	<u>40-2</u>	Master link
22	2	<u>13210</u>	1/2"-13 x 1-3/4" Grade 5 Zinc Finish Hex Cap Screw
23	1	<u>SC110</u>	Hydraulic motor plate
24	1	<u>151F2302 (STANDARD)</u> <u>151-3704</u> <u>151F2303</u>	<u>OMS125</u> Hydraulic motor <u>DS125</u> Hydraulic motor <u>OMS160</u> Hydraulic motor
25	4	<u>33012</u>	1/2" Zinc Finish USS Flat Washer
26	4	<u>36310</u>	1/2"-13 Zinc Finish Grade 5 Finished Hex Nut
27	2	<u>RW1100</u>	Bumper mounting bracket
28	2	<u>MRG1608</u>	Bumper
29	2	<u>13157</u>	7/16"-14 x 1-1/4" Grade 5 Zinc Hex Cap Screw
30	4	<u>33816</u>	7/16" Zinc Finish SAE Thru-Hardened Flat Washer
31	2	<u>33894</u>	7/16" Zinc Finish High Alloy Split Lock Washer
32	2	<u>36308</u>	7/16"-14 Zinc Finish Grade 5 Finished Hex Nut
33	1	<u>1A901-SH</u>	Belt shield
34	1	<u>STDA100-42S (420)</u> <u>STDA100-48S (480)</u>	Electric depth control (individual components listed under Electric Depth Control section)
35	8	<u>36310</u>	1/2"-13 Zinc Finish Grade 5 Finished Hex Nut
36	8	<u>33895</u>	1/2" Zinc High Alloy Medium Split Lock Washer
37	2	<u>PB118-BECI</u>	Pillow-block bearing
38	4	<u>33012</u>	1/2" Zinc Finish USS Flat Washer
39	4	<u>13211</u>	1/2"-13 x 2" Grade 5 Zinc Finish Hex Cap Screw
40	2	<u>1P006</u>	Eccentric cam



## 420/480 SOLID HEAD

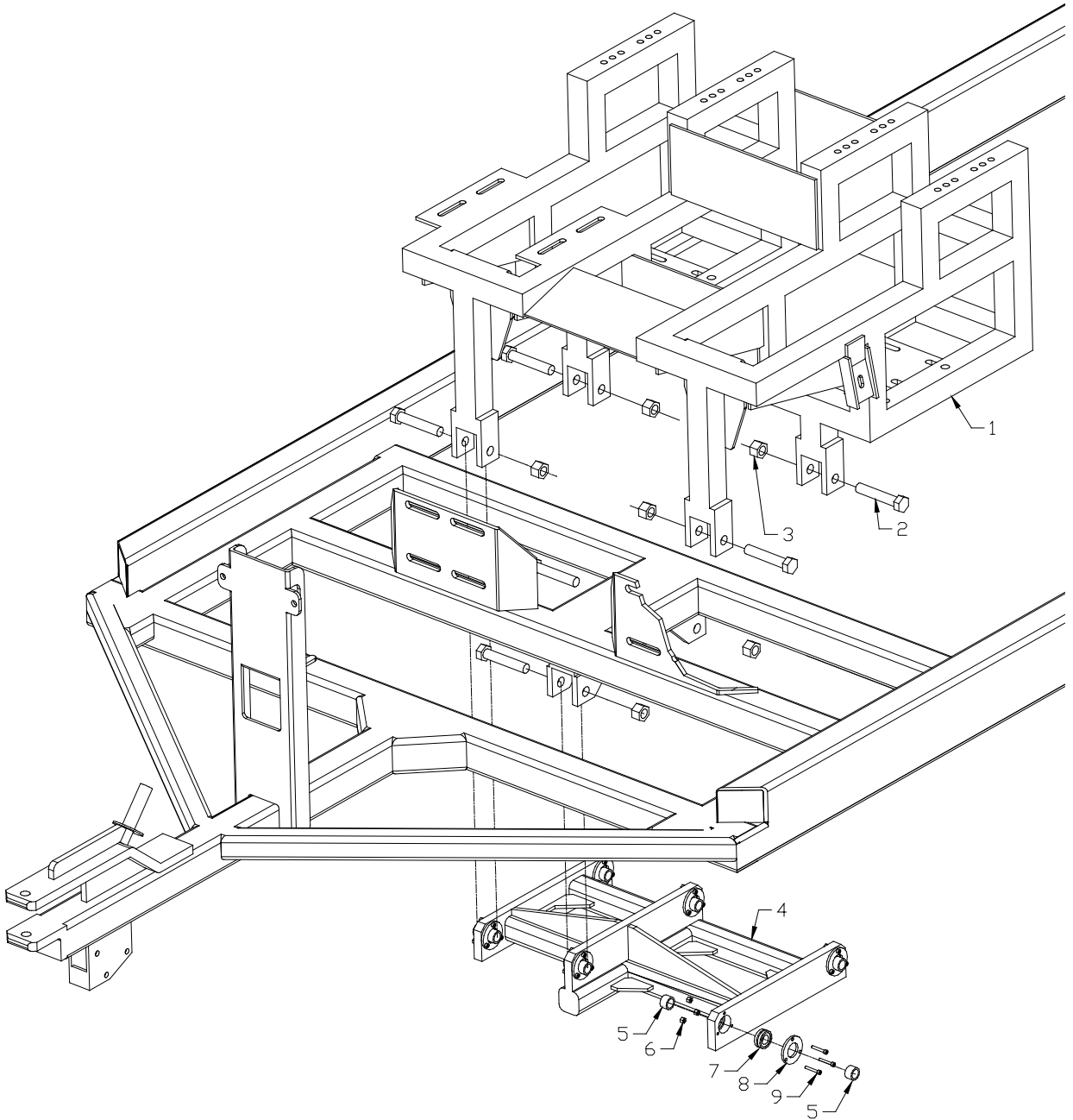
Parts List			
ITEM	QTY	PART NUMBER	DESCRIPTION
41	2	<u>1P007</u>	Arm plate
42	2	<u>1P005</u>	Eccentric cam cover
43	6	<u>33893</u>	3/8" Zinc High Alloy Medium Split Lock Washer
44	6	<u>13105</u>	3/8"-16 x 1" Zinc SAE <u>J429</u> Grade 5 Hex Cap Screw
45	2	<u>1P004</u>	Cutter arm
46	8	<u>13109</u>	3/8"-16 x 1-1/2" Zinc SAE <u>J429</u> Grade 5 Cap Screw
47	8	<u>33893</u>	3/8" Zinc Finish High Alloy Split Lock Washer
48	8	<u>13105</u>	3/8"-16 x 1" Zinc SAE <u>J429</u> Grade 5 Hex Cap Screw
49	4	<u>B6205</u>	Bearing
50	2	<u>1P003</u>	Bearing block
51	4	<u>TR244</u>	Snap ring
52	2	<u>1P002-HD</u>	Connecting rod
53	4	<u>15113</u>	<u>3/8"-16 X 2.5"</u> Grade 8 HCS
54	2	<u>1P002-BLK</u>	Connecting rod cap
55	4	<u>37264</u>	3/8" - 16 lock nut
56	4	<u>B6305</u>	Bearing
57	4	<u>13319</u>	5/8"-11 x 4" Grade 5 Zinc Finish Hex Cap Screw
58	4	<u>33863</u>	5/8" Zinc Finish USS Thru-Hardened Flat Washer
59	2	<u>PB200</u>	Pillow-block bearing
60	4	<u>33897</u>	5/8" Zinc High Alloy Medium Split Lock Washer
61	4	<u>36314</u>	5/8"-11 Zinc Finish Grade 5 Finished Hex Nut
62	1	<u>S2015-40S/42S (420)</u> <u>S2015-48S (480)</u>	Eccentric shaft
63	1	<u>S1820-42S (420)</u> <u>S1820-48S (480)</u>	Wrist shaft
64	1	<u>S1822-42S-2 (420)</u> <u>S1822-48S-2 (480)</u>	Upper shaft
65	1	<u>SH460</u>	Sheave
66	1	<u>1B011</u>	Adjustment lever
67	1	<u>BU200</u>	Bushing
68	2	<u>33895</u>	1/2" Zinc High Alloy Medium Split Lock Washer
69	2	<u>36310</u>	1/2"-13 Zinc Finish Grade 5 Finished Hex Nut
70	2	<u>1 1/2inKEYSTOCK</u>	1/4" Square key, 1 1/2" long
71	2	<u>13220</u>	1/2"-13 x 4-1/4" Grade 5 Zinc Finish Hex Cap Screw
72	2	<u>37268</u>	1/2"-13 Zinc Finish Grade C Top Lock Nut
73	8	<u>33893</u>	3/8" Zinc Finish High Alloy Split Lock Washer
74	16	<u>13005</u>	1/4"-20 x 1" Grade 5 Zinc Finish Hex Cap Screw
75	4	<u>PL100</u>	Spring hinge
76	4	<u>1B812 (420)</u>	Scraper 8 1/2"
76	2	<u>1B812-48L (480)</u>	Scraper 10", Left
	2	<u>1B812-48R (480)</u>	Scraper 10", Right
77	8	<u>36302</u>	1/4"-20 Zinc Finish Grade 5 Finished Hex Nut
78	16	<u>33891</u>	1/4" Zinc Finish High Alloy Split Lock Washer
79	1	<u>X028S</u>	Ground roller shaft
80	4	<u>37264</u>	3/8"-16 Zinc Finish Grade C Top Lock Nut
81	8	<u>30422</u>	Lug Nut



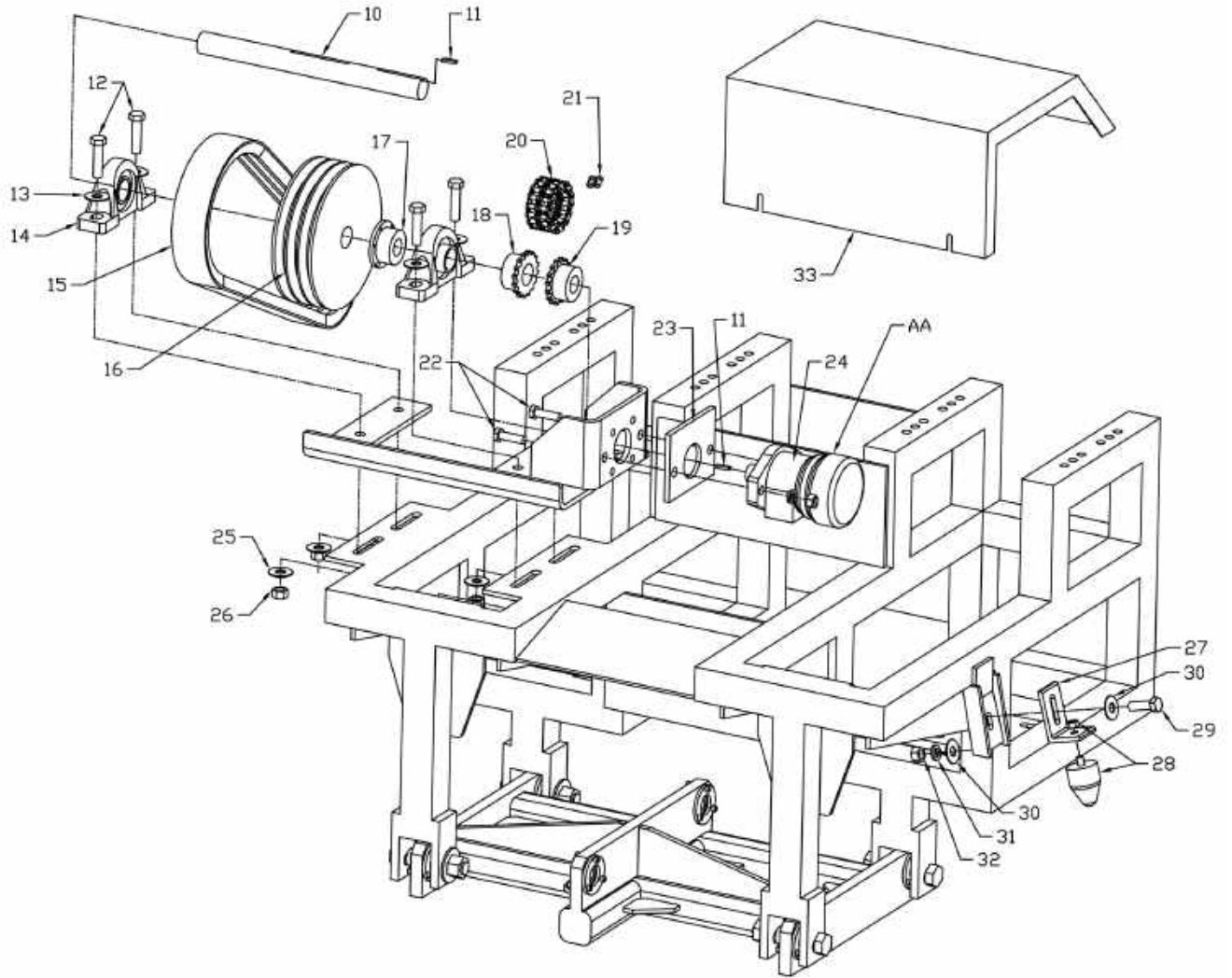
**420/480 SOLID HEAD**

<b>Parts List</b>			
<b>ITEM</b>	<b>QTY</b>	<b>PART NUMBER</b>	<b>DESCRIPTION</b>
82	4	<u>1W004 (420)</u>	Ground roller 8 1/2"
82	4	<u>1W004-48 (480)</u>	Ground roller 10"
83	4	<u>078WASH</u>	Machine washer
84	4	<u>045WASH</u>	Machine washer
85	4	<u>30421H</u>	Hub Assembly
86	4	<u>13115</u>	3/8"-16 x 3" Zinc SAE J429 Grade 5 Hex Cap Screw
87	8	<u>1136408</u>	7/16"-14 Zinc Finish Grade 8 Finished Hex Nut
88	4	<u>FC108</u>	Flange bearing
89	4	<u>13211</u>	1/2"-13 x 2" Grade 5 Zinc Finish Hex Cap Screw
90	4	<u>33012</u>	1/2" Zinc Finish USS Flat Washer
91	2	<u>3A7000N</u>	Ground roller pedestal
92	4	<u>33012</u>	1/2" Zinc Finish USS Flat Washer
93	4	<u>33895</u>	1/2" Zinc Finish High Alloy Med Split Lock Washer
94	4	<u>36310</u>	1/2"-13 Zinc Finish Grade 5 Finished Hex Nut
95		<u>Blades See Page 2.8</u>	Cutter Blades
96	1	<u>LB003L</u>	Motor Mount Plate
<b>Repair Kit</b>			
AA	1	<u>151-1286</u>	Repair kit for cutter head motor <u>151-3704</u> , <u>151F2316</u> , & <u>151-2302</u>

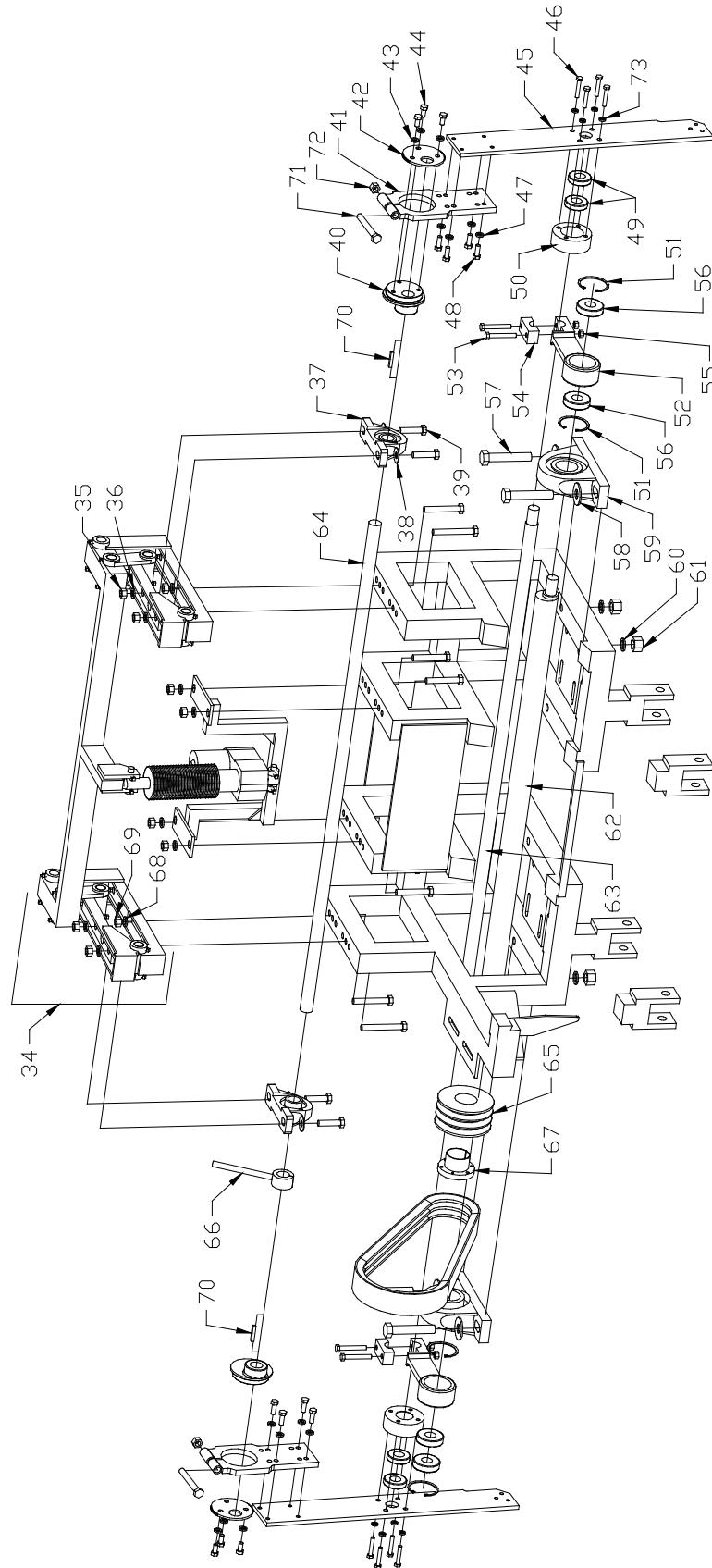


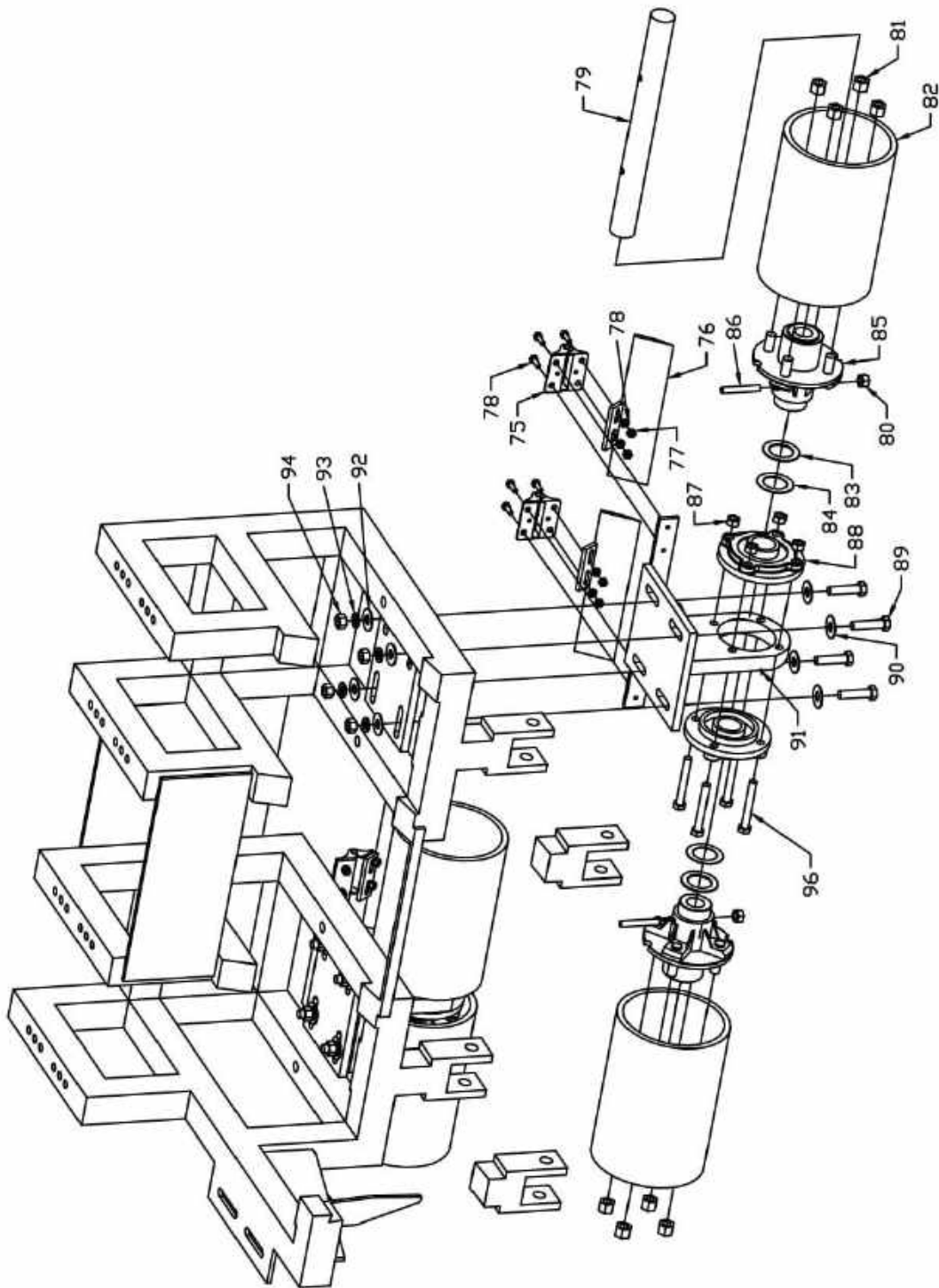


420/480 SOLID HEAD



# 420/480 SOLID HEAD



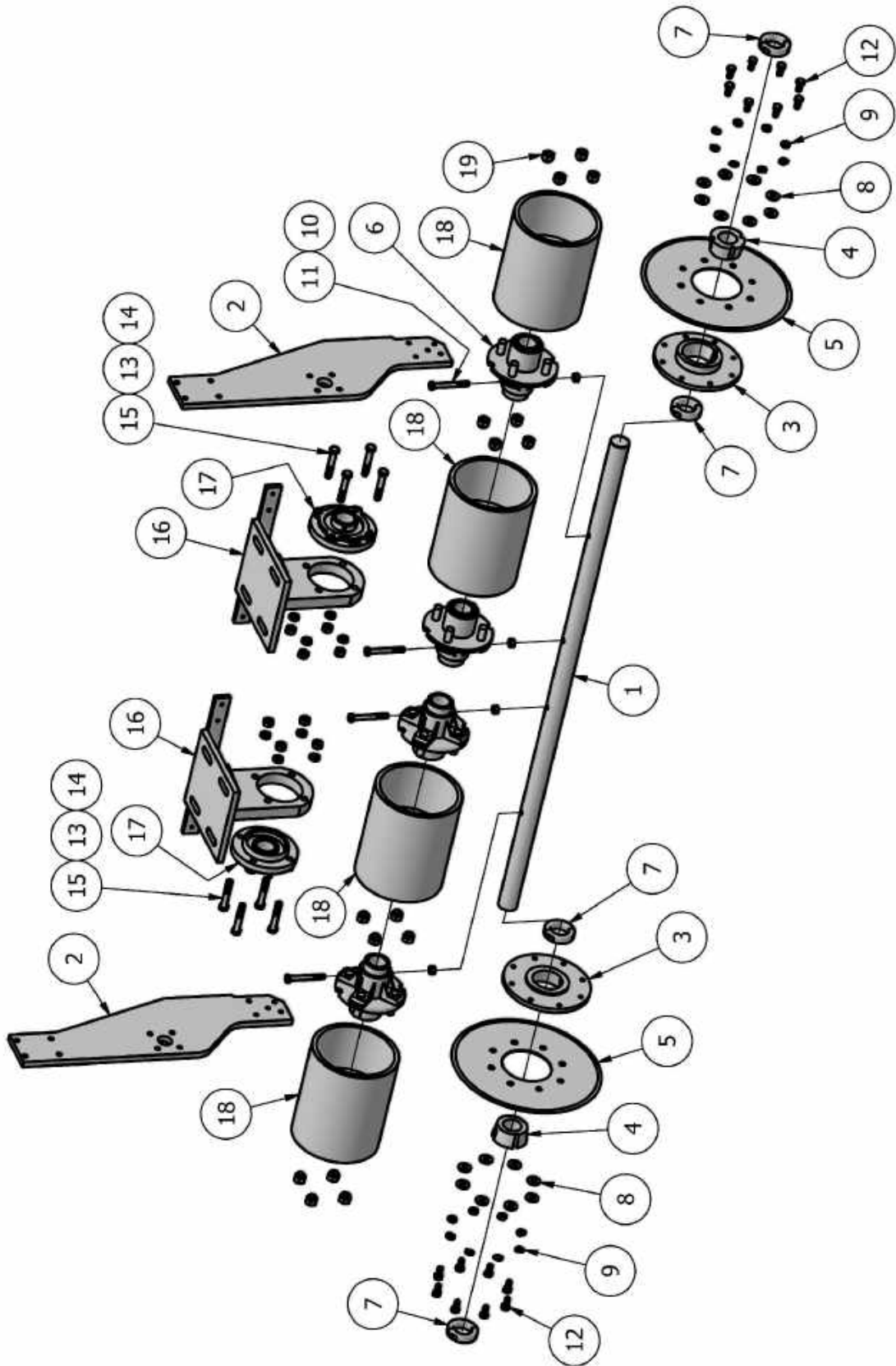


## 420/480 SOLID HEAD

### Coulter Option - Parts List

ITEM	QTY	PART NUMBER	DESCRIPTION
1	1	<u>42GR-CLTR200</u>	GROUND ROLLER COULTER SHAFT, 42"
	1	<u>48GR-CLTR200</u>	GROUND ROLLER COULTER SHAFT, 48"
2	2	<u>GR-CLTR201</u>	CUTTER ARM GROUND ROLLER COULTER
3	2	<u>GR-CLTR100</u>	GROUND ROLLER COULTER HUB
4	2	117168	1 1/2" BORE TAPER LOCK BUSHING
5	2	<u>R280106</u>	12" COULTER
	2	R280109	11" SPLIT COULTER
	2	<u>R280110</u>	9 1/2" SPLIT COULTER
6	4	<u>30421H</u>	GROUND ROLLER HUB
7	4	<u>2C-150</u>	1 1/2" SPLIT COLLAR
8	16	<u>33859</u>	3/8" FLAT WASHER
9	16	<u>33893</u>	3/8" LOCK WASHER
10	4	<u>37264</u>	3/8"-16 LOCKNUT
11	4	<u>13115</u>	3/8"-16 X 3" CAPSCREW PT
12	16	<u>13103</u>	3/8"-16 X 3/4" CAPSCREW
13	8	<u>33894</u>	7/16" LOCK WASHER
14	8	<u>36308</u>	7/16"-14 HEX NUT
15	8	<u>13163</u>	7/16"-14 X 2 1/2" CAPSCREW PT
16	2	<u>3A7000N</u>	GROUND ROLLER PEDISTAL
17	2	<u>FC108</u>	1 1/2" FLANGE BEARING
18	4	<u>1W004</u>	8 1/2" GROUND ROLLER, 42"
	4	<u>1W004-48</u>	10" GROUND ROLLER, 48"
19	16	<u>30422</u>	1/2"-20 LUG NUT





---

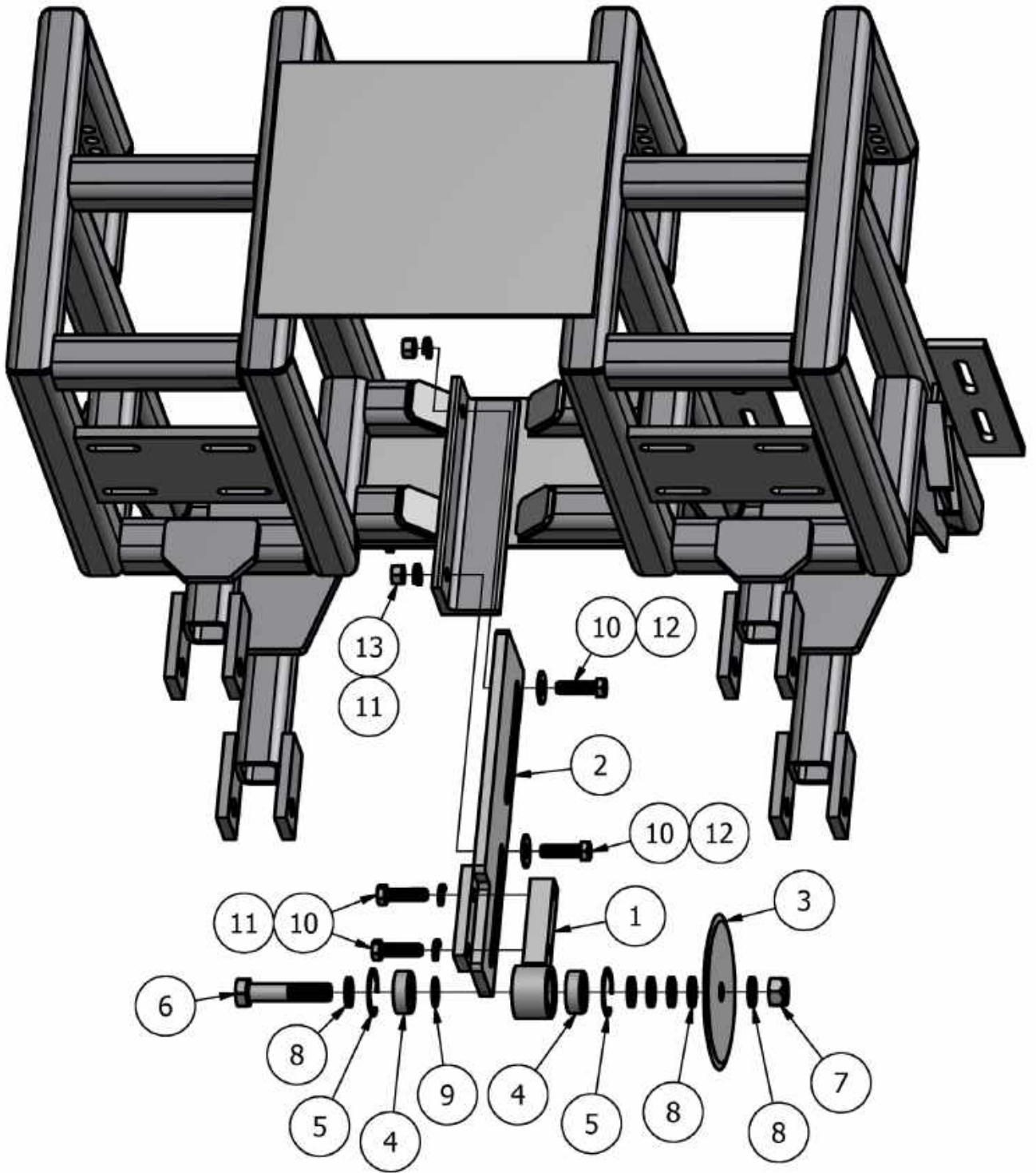
**420/480 SOLID HEAD**

---

**Center Coultter Option - Parts List**

ITEM	QTY	PART NUMBER	DESCRIPTION
1	1	<u>CCLTR101</u>	CENTER COULTER BEARING MNT
2	1	<u>CCLTR103</u>	CENTER COULTER MOUNT
3	1	<u>R002377</u>	6 1/2" COULTER, 3/4" HOLE
4	2	<u>204RR6 A4361 AG</u>	3/4" ID BEARING
5	2	<u>68064</u>	1 13/16" INTERNAL SNAP RING
6	1	<u>0115367</u>	3/4"-10 X 3 1/2" CAPSCREW PT, GR 8
7	1	<u>37274</u>	3/4"-10 LOCKNUT
8	6	<u>97669A400</u>	3/4"-10 GA SHIM
9	1	<u>97669A220</u>	3/4"-18 GA SHIM
10	4	<u>15210</u>	1/2"-13 X 1 3/4" CAPSCREW, GR 8
11	4	<u>33895</u>	1/2" LOCK WASHER
12	2	<u>33861</u>	1/2" FLAT WASHER
13	2	<u>36310</u>	1/2"-13 HEX NUT





42" BLADE HOLDERS  
BBH42TC



DEEP CUT

BBH42RS



REG. CUT

48" BLADE HOLDERS  
BBH48TC



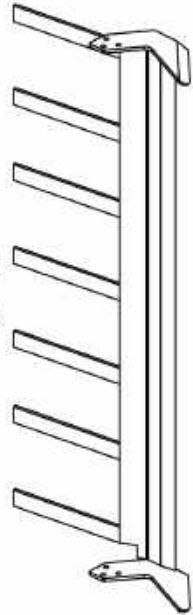
DEEP CUT

BBH48RS



REG. CUT

42" SOLID BLADE  
SP42



42" BLADE HOLDER BLADE  
BB42SC



48" BLADE HOLDER BLADE  
BB48SC



SIDE CUTTER  
BRACKET  
R015183



SIDE CUTTERS  
R260300-RC R260300-DC



REG. CUT

DEEP CUT



## 300 SOLID HEAD

<b>Parts List</b>			
<b>ITEM</b>	<b>QTY</b>	<b>PART NUMBER</b>	<b>DESCRIPTION</b>
1	1	<u>1A100D-30S</u>	Cutter head frame
2	6	<u>15365</u>	3/4"-10 x 3" Zinc SAE <u>J429</u> Grade 8 Hex Cap Screw
3	6	<u>37274</u>	Top LK 3/4-10 GR C
4	1	<u>1W006</u>	Undercarriage
5	12	<u>1P008</u>	Spacer - obsolete, not required with <u>30224-2</u>
6	18	<u>37015</u>	#10-32 Zinc Finish NM Grade 2 Nylon Insert Lock Nut
7	6	<u>30224-2</u>	Spherical bearing
8	6	<u>1W007</u>	Retainer
9	18	<u>23169</u>	#10-32 x 1-1/4" Black Oxide Alloy Socket Cap Screw
10	1	<u>S1414</u>	Drive shaft
11	3	<u>1 1/2inKEYSTOCK</u>	1/4" Square key, 1 1/2" long
12	1	<u>BU114</u>	Bushing
13	6	<u>13213</u>	1/2"-13 x 2-1/2" Grade 5 Zinc Finish Hex Cap Screw
14	4	<u>33012</u>	1/2" Zinc Finish USS Flat Washer
15	2	<u>PB114</u>	Pillow-block bearing
16	1	<u>RBP44-3</u>	V-belt
17	1	<u>SH800</u>	Sheave
18	1	<u>CH114-BECI</u>	Coupling half
19	1	<u>CH100-BECI</u>	Coupling half
20	1	<u>CC416</u>	Coupling chain
21	1	<u>40-2</u>	Master link
22	1	<u>151F2302 (STANDARD)</u> <u>151-3704</u> <u>151F2303</u>	<u>OMS125</u> Hydraulic motor <u>DS125</u> Hydraulic motor <u>OMS160</u> Hydraulic motor
23	1	<u>SC110</u>	Motor Plate
24	4	<u>33012</u>	1/2" Zinc Finish USS Flat Washer
25	4	<u>36310</u>	1/2"-13 Zinc Finish Grade 5 Finished Hex Nut
26	2	<u>RW1100</u>	Bumper mounting bracket
27	2	<u>MRG1608</u>	Bumper
28	2	<u>13157</u>	7/16"-14 x 1-1/4" Grade 5 Zinc Finish Hex Cap Screw
29	4	<u>33816</u>	7/16" Yellow Zinc Finish SAE Thru-Hardened Flat Washer
30	2	<u>33894</u>	7/16" Zinc Finish High Alloy Medium Split Lock Washer
31	2	<u>36308</u>	7/16"-14 Zinc Finish Grade 5 Finished Hex Nut
32	1	<u>1A901-SH</u>	Belt shield
33	1	<u>STDA100-30S</u>	Electric depth control assy. (modified) Individual components listed under Electric Depth Control section
34	6	<u>36310</u>	1/2"-13 Zinc Finish Grade 5 Finished Hex Nut
35	6	<u>33895</u>	1/2" Zinc Finish High Alloy Medium Split Lock Washer
36	6	<u>13211</u>	1/2"-13 x 2" Grade 5 Zinc Finish Hex Cap Screw
37	6	<u>33895</u>	1/2" Zinc Finish High Alloy Medium Split Lock Washer
38	2	<u>1P005</u>	Eccentric cam cover plate
39	2	<u>1P007</u>	Arm plate
40	2	<u>1P006</u>	Eccentric cam
41	2	<u>1P004</u>	Cutter arm
42	8	<u>13109</u>	3/8"-16 x 1-1/2" Zinc SAE <u>J429</u> Grade 5 Hex Cap Screw
43	8	<u>33893</u>	3/8" Yellow Zinc High Alloy Medium Split Lock Washer



## 300 SOLID HEAD

Parts List			
ITEM	QTY	PART NUMBER	DESCRIPTION
44	4	B6205	Bearing
45	2	1P003	Bearing block
46	4	TR244	Snap ring
47	4	B6305	Bearing
48	2	1P002-HD	Connecting rod
49	4	15113	3/8"-16 X 2.5" Grade 8 HCS
50	2	1P002-BLK	Connecting rod cap
51	4	37264	3/8"-16 Zinc Finish Grade C Top Lock Nut
52	2	PB118	Pillow-block bearing
53	4	13211	1/2"-13 x 2" Grade 5 Zinc Finish Hex Cap Screw
54	4	33012	1/2" Zinc Finish USS Flat Washer
55	6	13215	1/2"-13 x 3" Zinc SAE J429 Grade 5 Hex Cap Screw
56	6	33895	1/2" Zinc Finish High Alloy Medium Split Lock Washer
57	6	36310	1/2"-13 Zinc Finish Grade 5 Finished Hex Nut
58	2	PB200	Pillow-block bearing
59	4	33863	5/8" Yellow Zinc Finish USS Thru-Hardened Flat Washer
60	4	13319	5/8"-11 x 4" Grade 5 Zinc Finish Hex Cap Screw
61	4	36314	5/8"-11 Zinc Finish Grade 5 Finished Hex Nut
62	4	33897	5/8" Zinc Finish High Alloy Medium Split Lock Washer
63	1	S1820-30S	Wrist shaft
64	1	S2015-30S	Eccentric shaft
65	1	SH460	Sheave
66	1	S1822-30S	Top Shaft
67	1	1B011	Adjusting lever
68	8	13109	3/8"-16 x 1-1/2" Zinc SAE J429 Grade 5 Hex Cap Screw
69	8	33893	3/8" Zinc Finish High Alloy Medium Split Lock Washer
70	1	BU200	Bushing
71	2	1 1/2inKEYSTOCK	1/4" Square key, 1 1/2" long
72	2	13220	1/2"-13 x 4-1/4" Grade 5 Zinc Finish Hex Cap Screw
73	2	37268	1/2"-13 Zinc Finish Grade C Top Lock Nut
74	16	13005	1/4"-20 x 1" Grade 5 Zinc Finish Hex Cap Screw
75	4	PL100	Hinge (modified)
76	2	1B800-30	Scraper (13-1/4 in.)
77	16	33891	1/4" Zinc Finish High Alloy Split Lock Washer
78	8	36302	1/4"-20 Zinc Finish Grade 5 Finished Hex Nut
79	1	X028S	Ground roller shaft
80	2	37264	3/8"-16 Zinc Finish Grade C Top Lock Nut
81	8	30422	Lug nut
82	2	1W004-30	Ground roller (13-1/4 in.)
83	2	078WASH	Machine washer
84	2	045WASH	Machine washer
85	2	30421H	Hub assy.
86	2	13115	3/8"-16 x 3" Zinc SAE J429 Grade 5 Hex Cap Screw
87	8	1136408	7/16"-14 Yellow Zinc Finish Grade 8 Finished Hex Nut
88	2	FC108	Flange bearing
89	4	13211	1/2"-13 x 2" Grade 5 Zinc Finish Hex Cap Screw



---

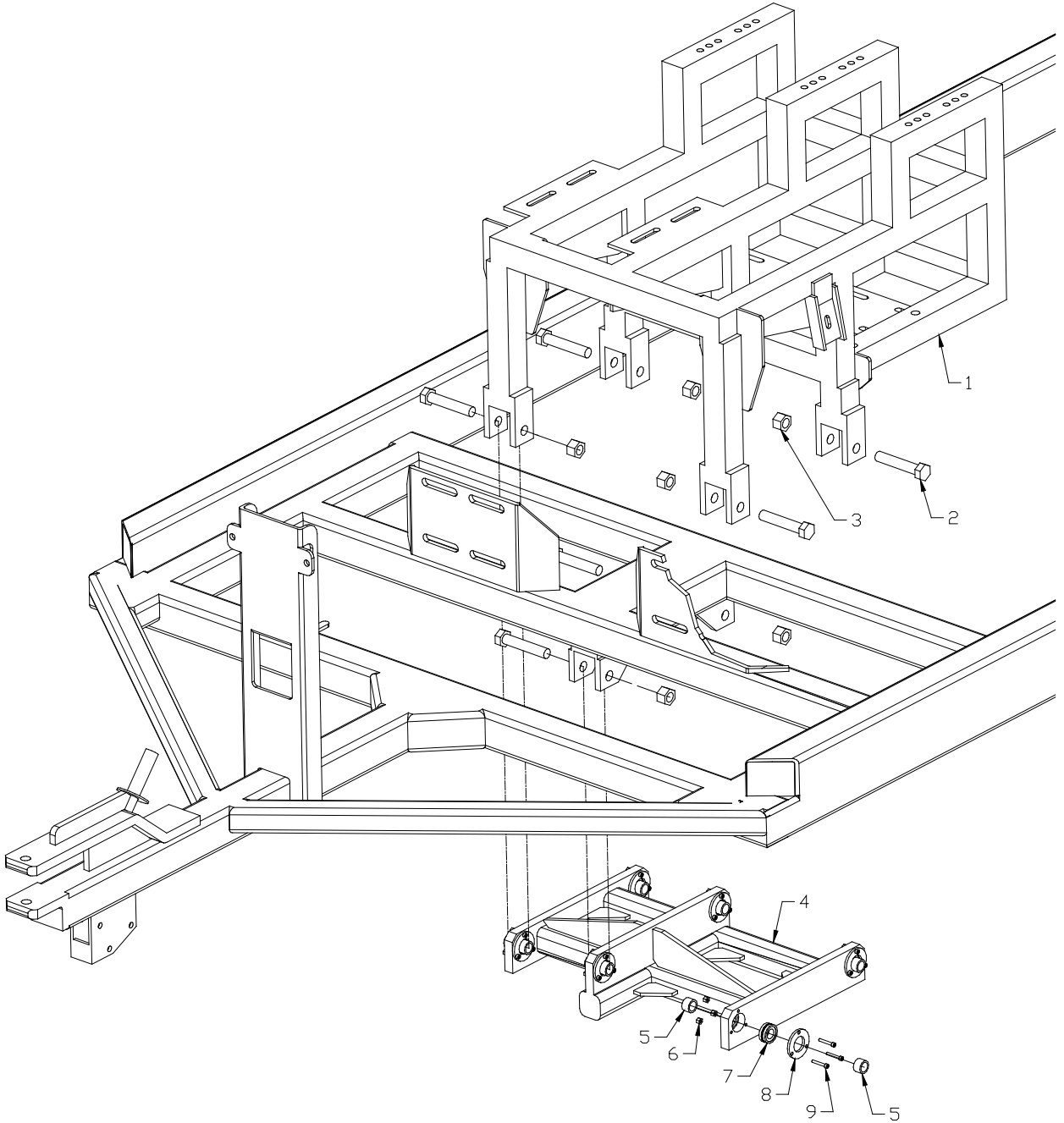
## 300 SOLID HEAD

---

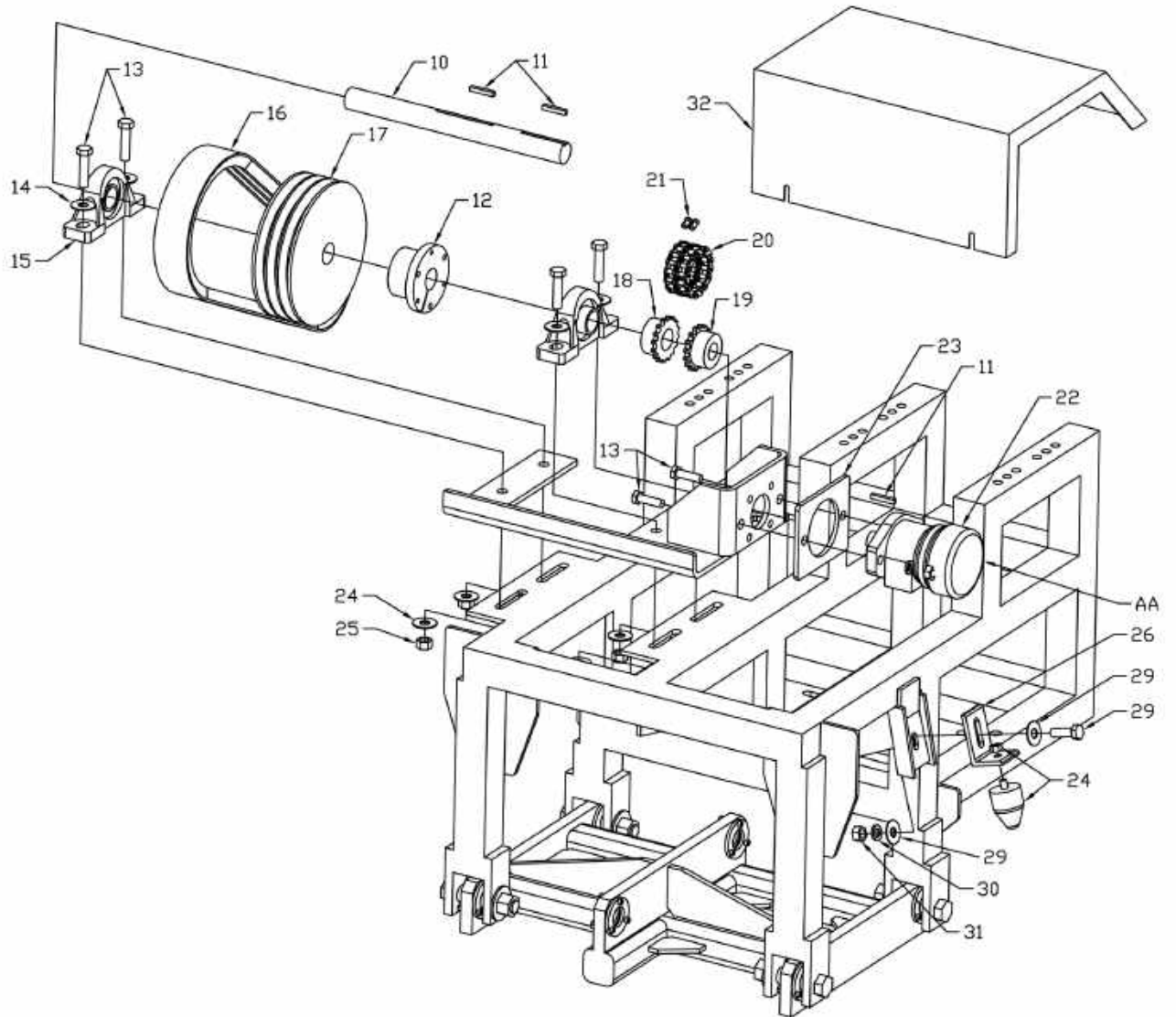
Parts List			
ITEM	QTY	PART NUMBER	DESCRIPTION
90	4	<u>33012</u>	1/2" Zinc Finish USS Flat Washer
91	1	<u>3A7000N30S</u>	Ground roller pedestal
92	4	<u>33012</u>	1/2" Zinc Finish USS Flat Washer
93	4	<u>33895</u>	1/2" Zinc Finish High Alloy Medium Split Lock Washer
94	4	<u>36310</u>	1/2"-13 Zinc Finish Grade 5 Finished Hex Nut
Repair Kits			
AA	1	<u>151-1286</u>	Repair kit for cutter head hydraulic motor

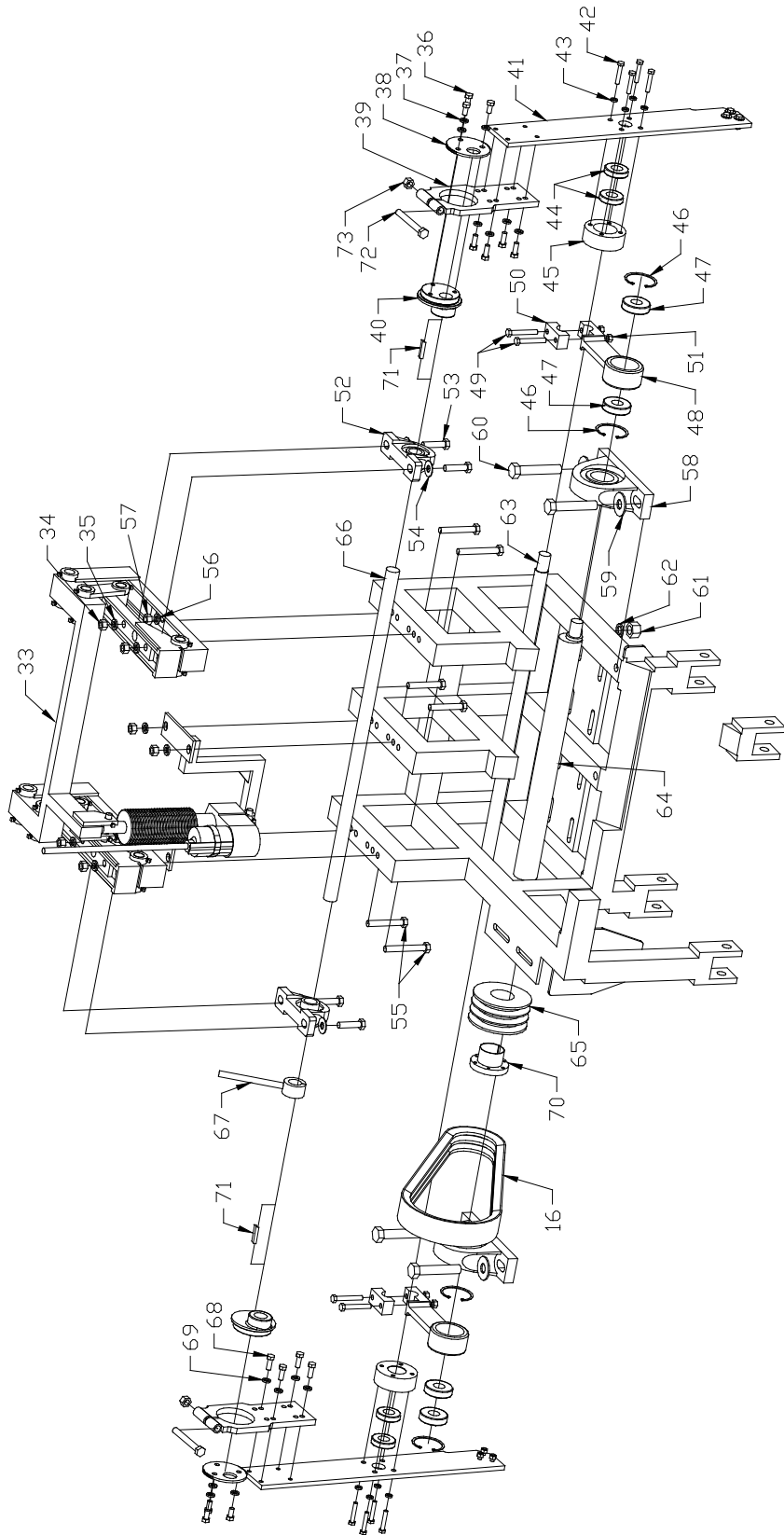


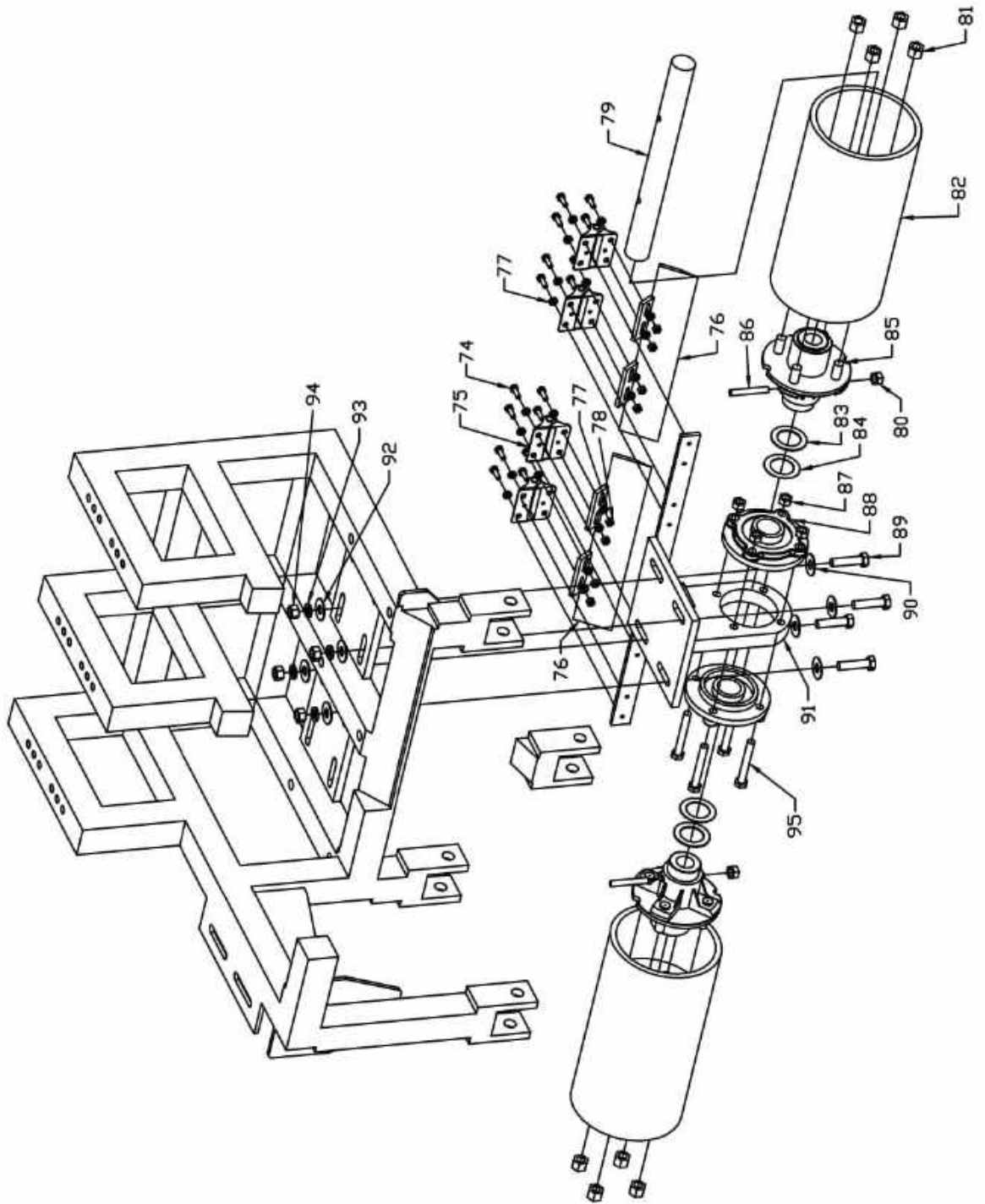
# 300 SOLID HEAD



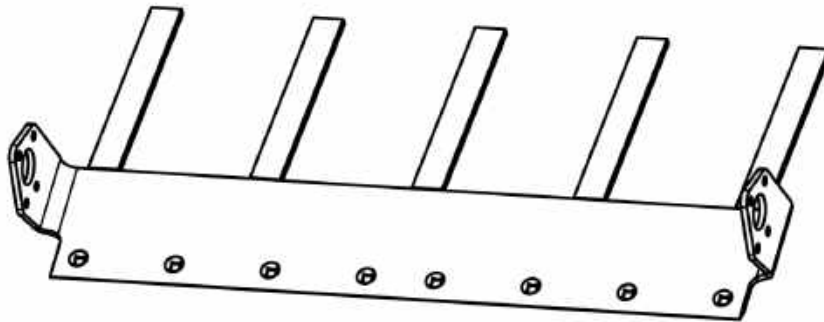
300 SOLID HEAD







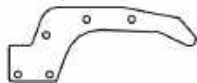
30" SOLID BLADE HOLDER  
BBH30



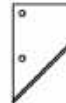
30" SOLID BLADE  
R290450



SIDE CUTTER  
BRACKET  
R015183

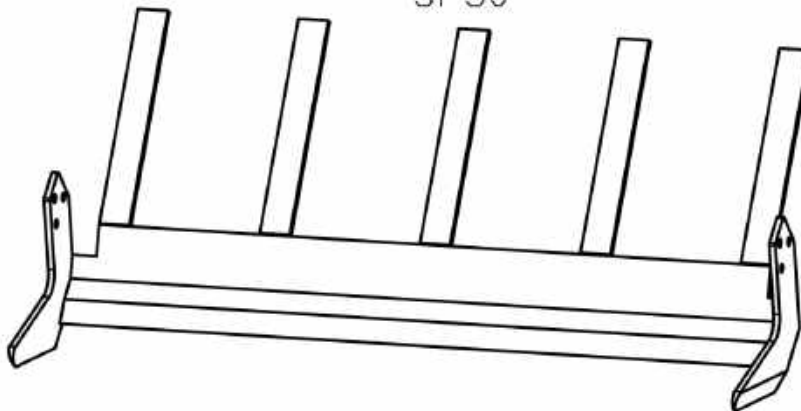


SIDE CUTTERS  
R260300-RC



REG. CUT

30" SOLID BLADE  
SP30



## 300 SOLID HEAD

### Coulter Option - Parts List

ITEM	QTY	PART NUMBER	DESCRIPTION
1	2	<u>GR-CLTR100</u>	GROUND ROLLER COULTER HUB
2	1	<u>30GR-CLTR100</u>	GROUND ROLLER PEDISTAL
3	1	<u>30GR-CLTR101</u>	GROUND ROLLER PEDISTAL
4	1	<u>30GR-CLTR201</u>	GROUND ROLLER COULTER SHAFT, 30"
5	3	<u>30421H</u>	GROUND ROLLER HUB
6	2	<u>1P004-SH</u>	CUTTER ARM
7	1	<u>1B800</u>	8" SCRAPER BLADE
8	1	<u>1W005</u>	8" GROUND ROLLER
9	1	<u>1B800-48</u>	9" SCRAPER BLADE
10	1	<u>1B800-30CLTR</u>	9" SCRAPER BLADE
11	2	<u>1W004</u>	8 1/2" GROUND ROLLER
12	2	<u>FC108</u>	1 1/2" FLANGE BEARING
13	2	<u>117168</u>	1 1/2" BORE TAPER LOCK BUSHING
14	1	<u>S2015-30S</u>	2" ECCENTRIC SHAFT FOR SOLID 30"
15	1	<u>1A100D-30S</u>	30" SOLID HEAD FRAME
16	1	<u>S1822-30SCLTR</u>	KEYED SHAFT, 30" W/ COULTERS
17	1	<u>S1820-30SCLTR</u>	WRIST SHAFT, 30" W/ COULTERS
18	2	<u>30GR-CLTR200</u>	<u>11.25" COULTER</u>
19	2	<u>1P005</u>	Eccentric cam plate
20	1	<u>R290450</u>	BLADE, 30" X 1/4
21	1	<u>BBH30CLTR</u>	30" COULTER BLADE HOLDER
22	2	<u>1P007</u>	Arm plate
23	2	<u>1P006</u>	Eccentric cam
24	20	<u>33004</u>	1/4" FLAT WASHER
25	14	<u>33618</u>	1/4" LOCK WASHER
26	12	<u>13003</u>	1/4"-20 X 3/4" CAPSCREW
27	8	<u>36302</u>	1/4"-20 HEX NUT
28	3	<u>37264</u>	3/8"-16 LOCKNUT
29	3	<u>13115</u>	3/8"-16 X 3" CAPSCREW PT
30	48	<u>33893</u>	3/8" LOCK WASHER
31	16	<u>13103</u>	3/8"-16 X 3/4" CAPSCREW
32	16	<u>33859</u>	3/8" FLAT WASHER
33	10	<u>33894</u>	7/16" LOCK WASHER
34	10	<u>36308</u>	7/16"-14 HEX NUT
35	8	<u>13163</u>	7/16"-14 X 2 1/2" CAPSCREW PT
36	12	<u>30422</u>	1/2"-20 LUG NUT
37	2	<u>1P002HD</u>	CON-ROD HEAVY DUTY,



## 300 SOLID HEAD

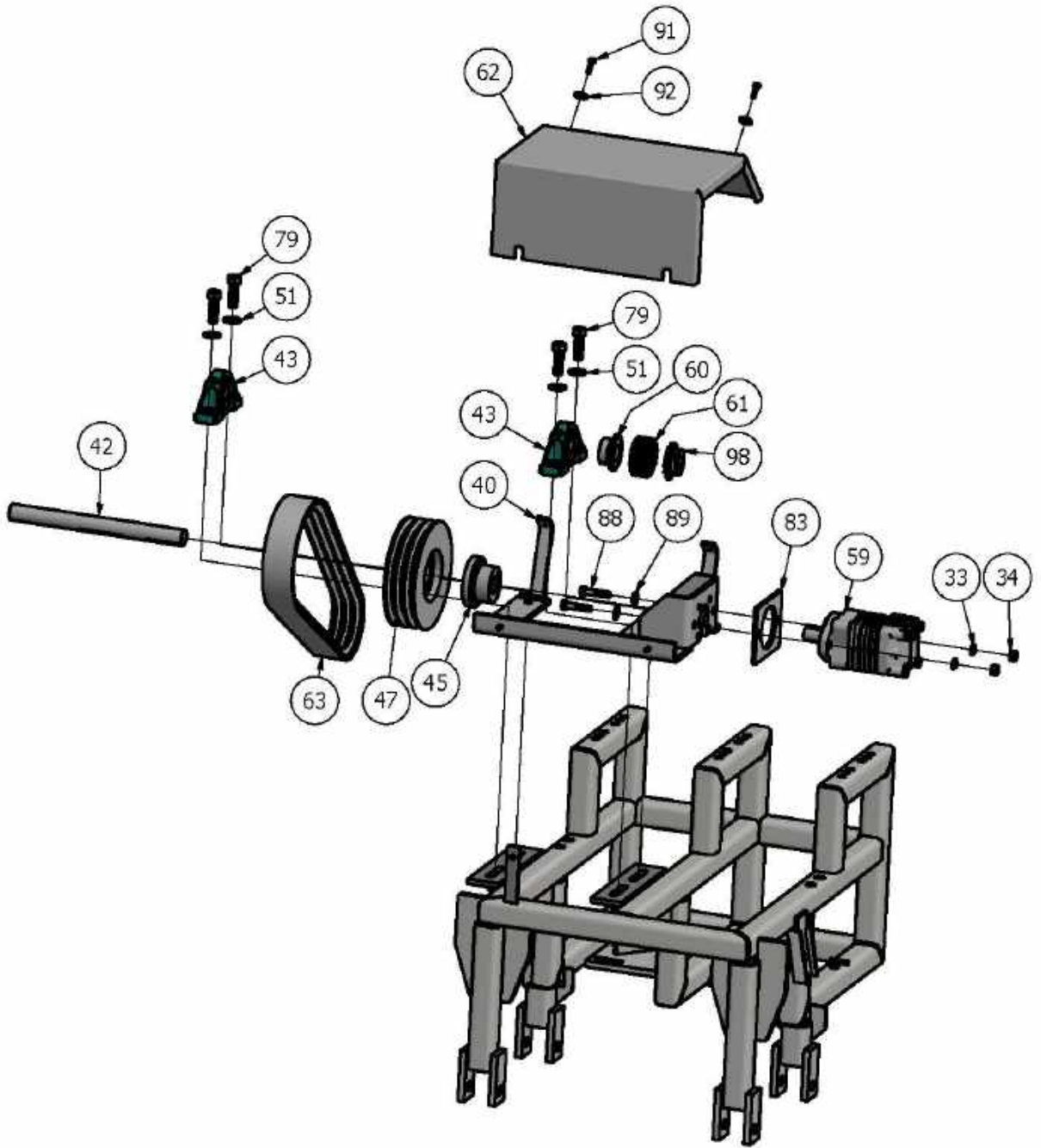
ITEM	QTY	PART NUMBER	DESCRIPTION
38	2	<u>PB200</u>	2" PILLOW BLOCK BEARING
39	1	<u>STDA100-30S</u>	DEPTH CONTROL 30" SOLID HEAD
40	1	<u>LB003L</u>	CUTTER HEAD MOTOR PLATE
41	4	<u>B6305</u>	BALL BEARING
42	1	<u>S1414</u>	1.250" SHAFT, 14" LG
43	2	<u>PB114</u>	1 1/4" PILLOW BLOCK BEARING
44	1	<u>SH460</u>	3 B 46 SD BUSHING
45	1	<u>BU200</u>	Bushing SD x 2 QD
46	1	<u>BU114</u>	1 1/4" BUSHING
47	1	<u>SH800</u>	SHEAVE
48	2	<u>1P003</u>	BEARING BLOCK
49	2	<u>13213</u>	1/2"-13 x 2 1/2" CAPSCREW PT
50	4	<u>37268</u>	1/2"-13 LOCKNUT
51	8	<u>33819</u>	5/8" SAE WASHER
52	4	<u>13319</u>	5/8-11 X 4 GR 5 CAP SCREW
53	8	<u>36314</u>	5/8"-11 HEX NUT
54	8	<u>33897</u>	5/8" LOCK WASHER
55	16	<u>33861</u>	1/2" FLAT WASHER
56	18	<u>36310</u>	1/2"-13 HEX NUT
57	18	<u>33895</u>	1/2" LOCK WASHER
58	8	<u>13109</u>	3/8"-16 X 1 1/2" CAPSCREW PT
59	1	<u>151F2302</u>	DRIVE MOTOR
60	1	<u>CH114-BECI</u>	COUPLING HALF 1.25" 2 SET SCREWS
61	1	<u>CC416</u>	COUPLING CHAIN
62	1	<u>1A901-SH</u>	SOLID HEAD SHEILD
63	1	<u>RBP44-3</u>	DRIVE BELT
64	2	<u>RW1100</u>	BUMPER MOUNT BRACKETS
65	14	<u>36306</u>	3/8"-16 HEX NUT
66	2	<u>MRG1608</u>	RUBBER BUMPER
67	1	<u>1B011</u>	Depth Control Adjusting Arm
68	4	<u>B6205</u>	25mm BALL BEARING
69	4	<u>TR244</u>	2 7/16 SNAP RING INTRNL
70	12	<u>13211</u>	1/2"-13 X 2" CAPSCREW
71	1	<u>DC0009</u>	ACUTATOR
72	4	<u>33860</u>	7/16" FLAT WASHER
73	2	<u>13157</u>	7/16"-14 X 1 1/4" CAPSCREW
74	2	<u>37266</u>	7_16-14 TOP LOCKNUT
75	14	<u>13105</u>	3/8"-16 X 1" CAPSCREW

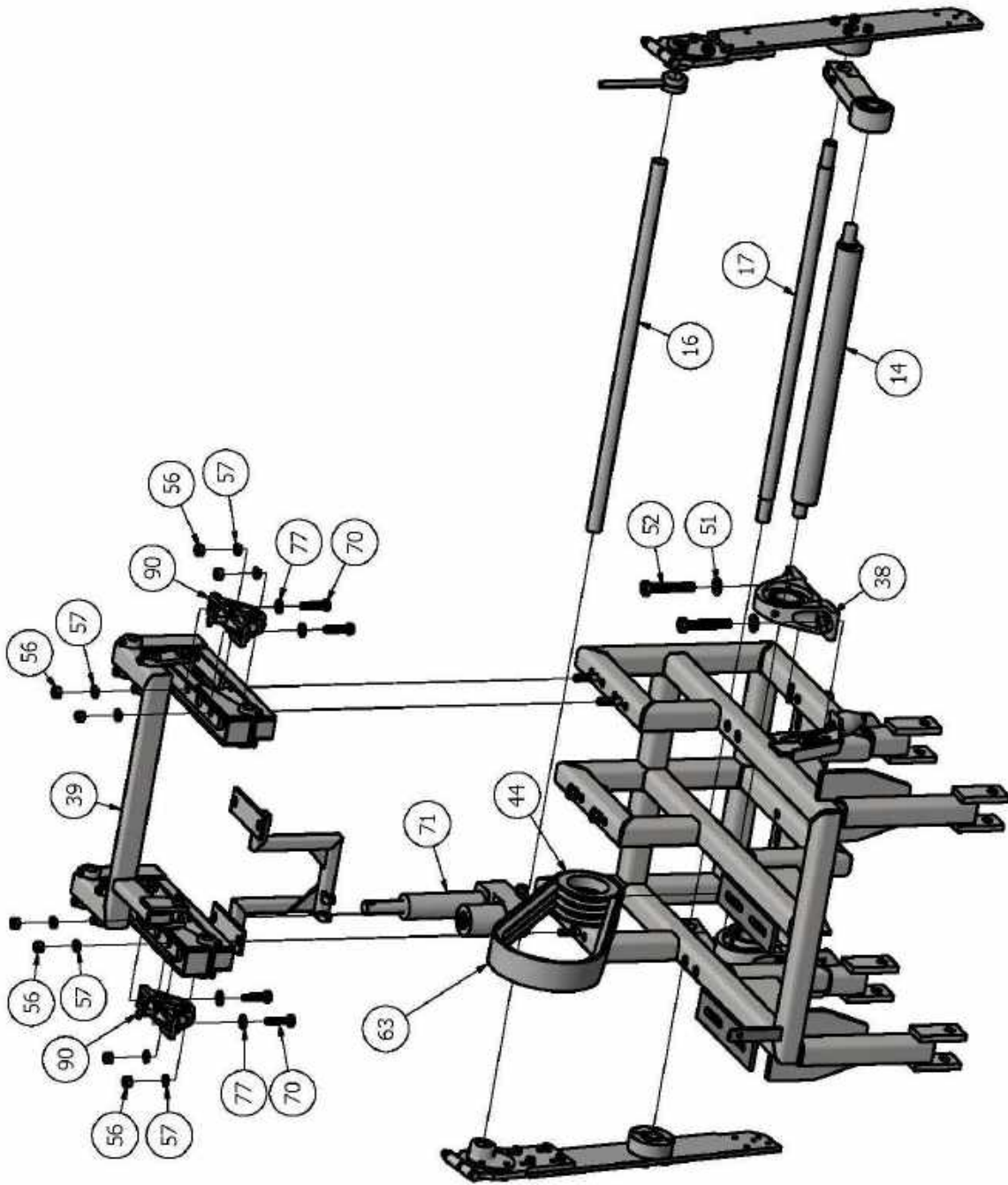


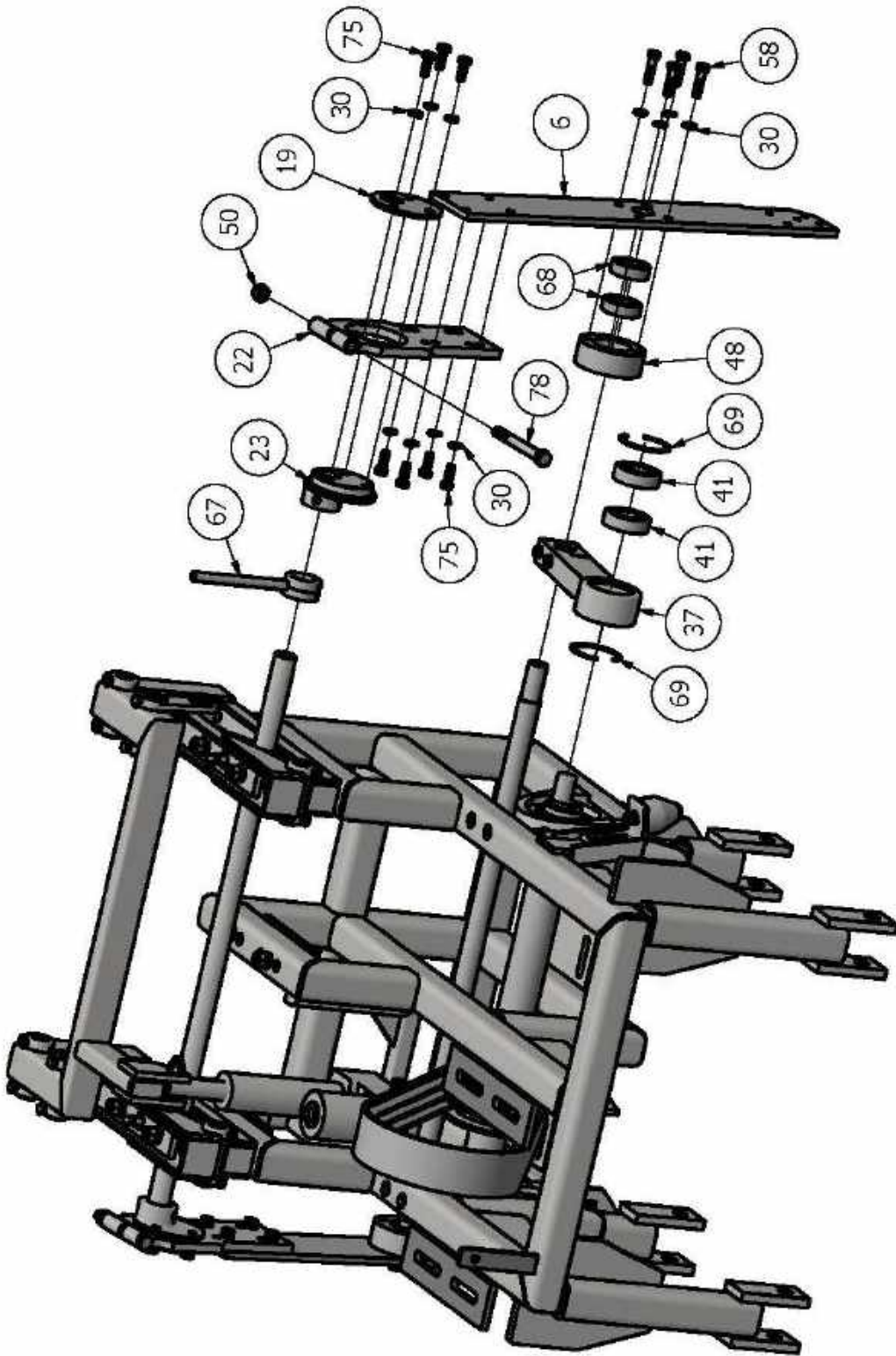
## 300 SOLID HEAD

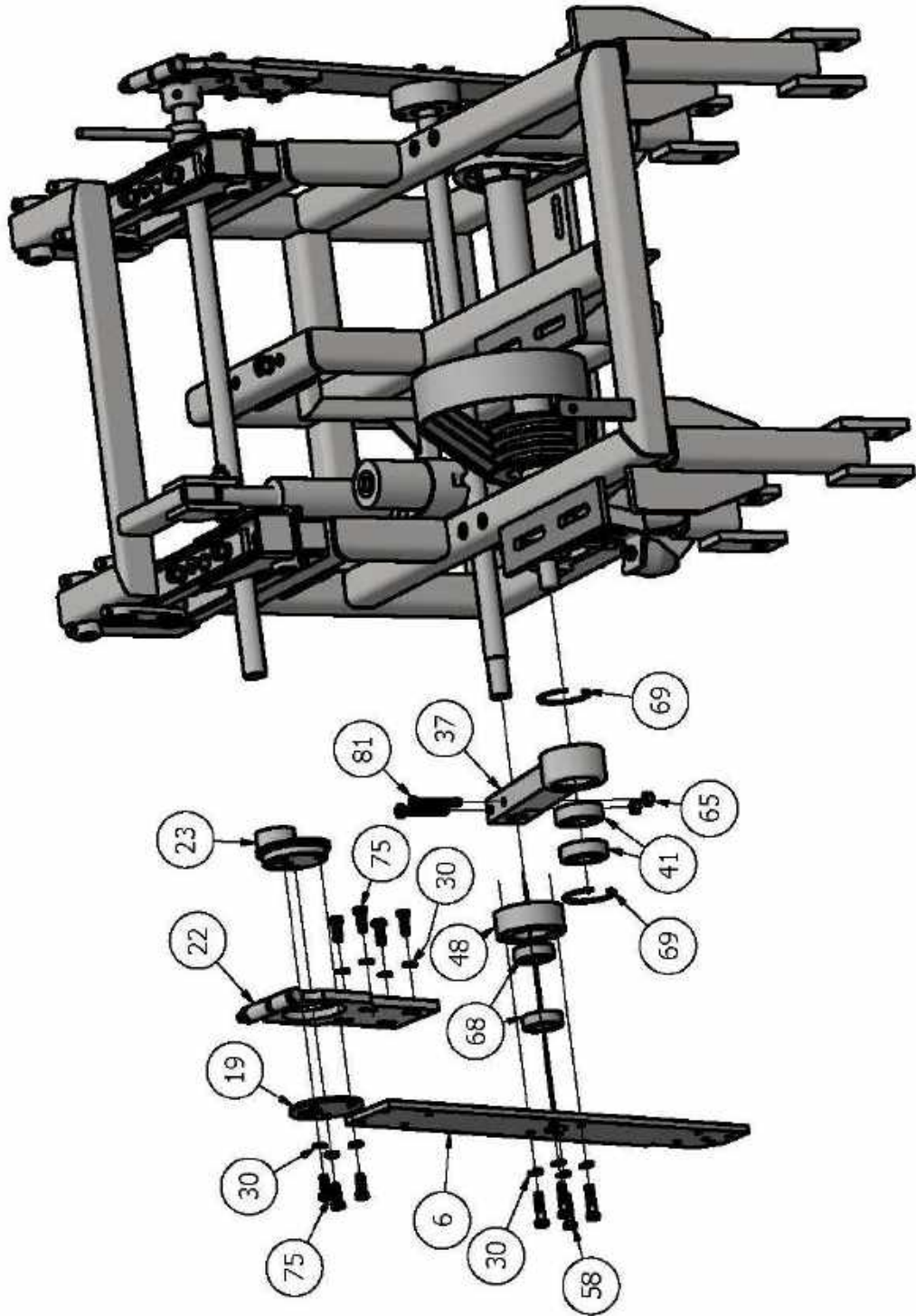
ITEM	QTY	PART NUMBER	DESCRIPTION
76	4	<u>12219</u>	1/2"-13 X 4" CAPSCREW PT
77	10	<u>33817</u>	1/2" SAE WASHER
78	2	<u>13220</u>	1/2"-13 X 4 1/4" CAPSCREW PT
79	4	<u>13827</u>	5/8"-11 X 2" CAPSCREW
80	4	<u>33863</u>	5/8 FLAT WASHER
81	4	<u>13113</u>	3/8"-16 X 2 1/2" CAPSCREW
82	2	<u>13217</u>	1/2"-13 X 3" CAPSCREW PT
83	1	<u>SC110</u>	DS MOTOR SPACER
84	8	<u>17057</u>	5_16-24 X 1 1_4
85	8	<u>33858</u>	5/16" FLAT WASHER
86	8	<u>33892</u>	5/16" LOCK WASHER
87	8	<u>1136454</u>	5/16"-24 HEX NUT
88	2	<u>13161</u>	7/16"-14 X 2" CAPSCREW
89	2	<u>33007</u>	3/8 FLAT WAHSER
90	2	<u>PB118-BECI</u>	<u>PB118</u> DRILLED AND TAPPED FOR GREASE ZERK
91	2	<u>13005</u>	1/4"-20 X 1" CAPSCREW
92	2	<u>1171212</u>	1/4" FENDER WASHER, 1" OD
93	2	<u>PP-T3100</u>	STEP <u>AP203</u>
94	1	<u>0217770</u>	HOSE MOUNT TOP PLATE
95	1	<u>13012</u>	1/4"-20 X 2 1/4" CAPSCREW PT
96	8	<u>22601</u>	3/8-16 FLAT HEAD PLOW BOLT
97	4	<u>112CL</u>	1 1/2" SPLIT COLLAR
98	1	<u>CH100-BECI</u>	COUPLING HALF 1" 2 SET SCREWS
99	3	<u>PL100</u>	SPRING HINGE

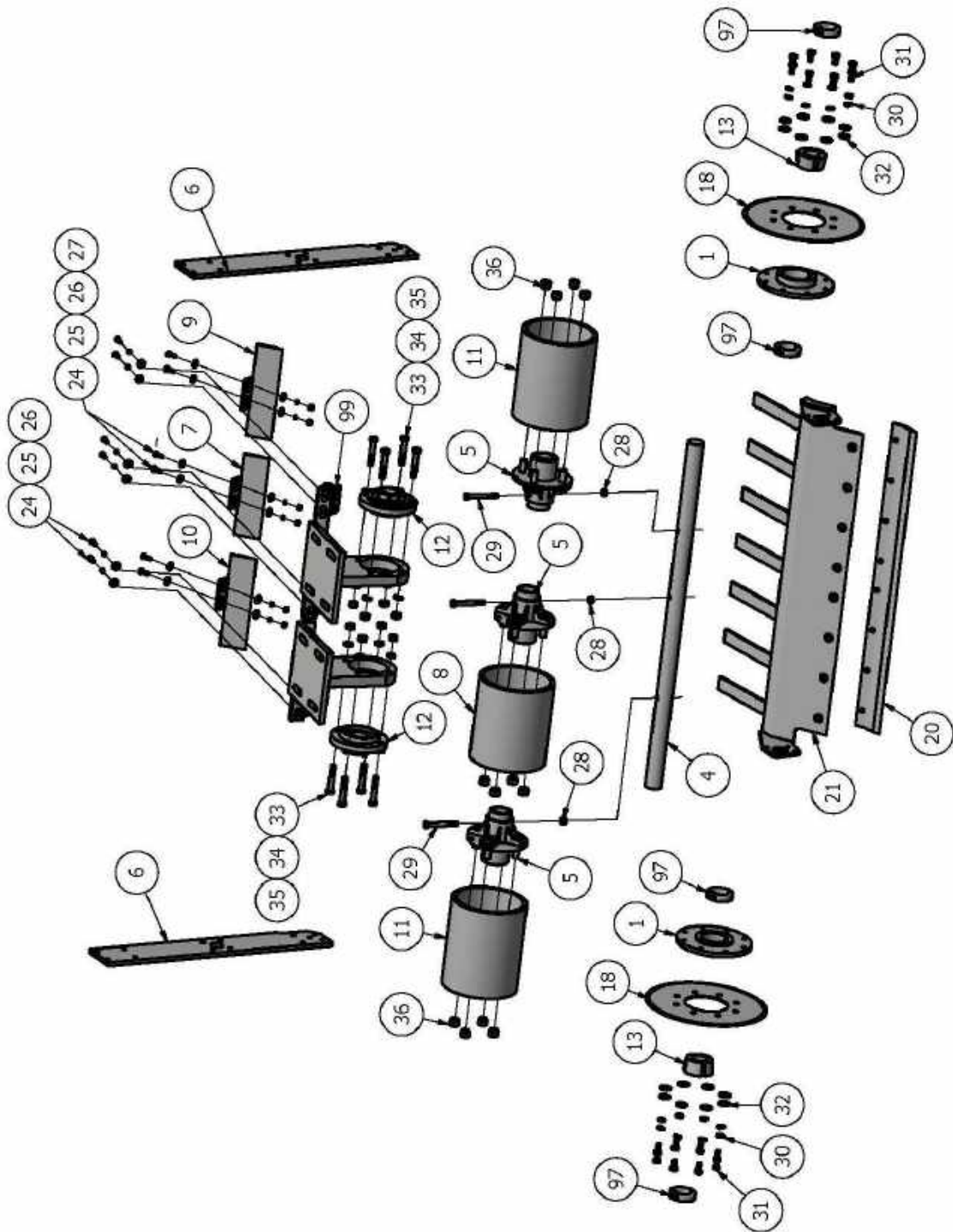




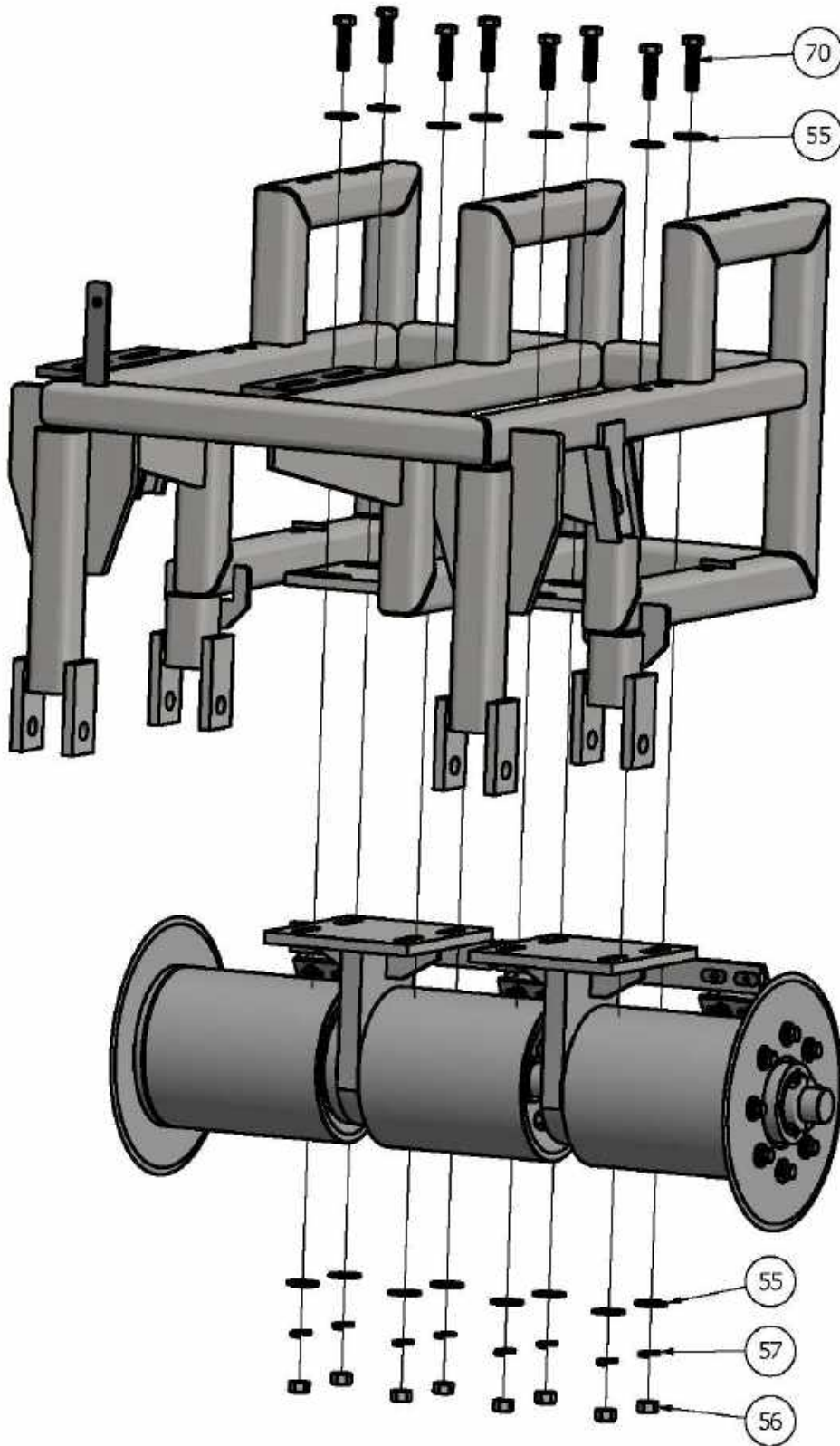








300 SOLID HEAD



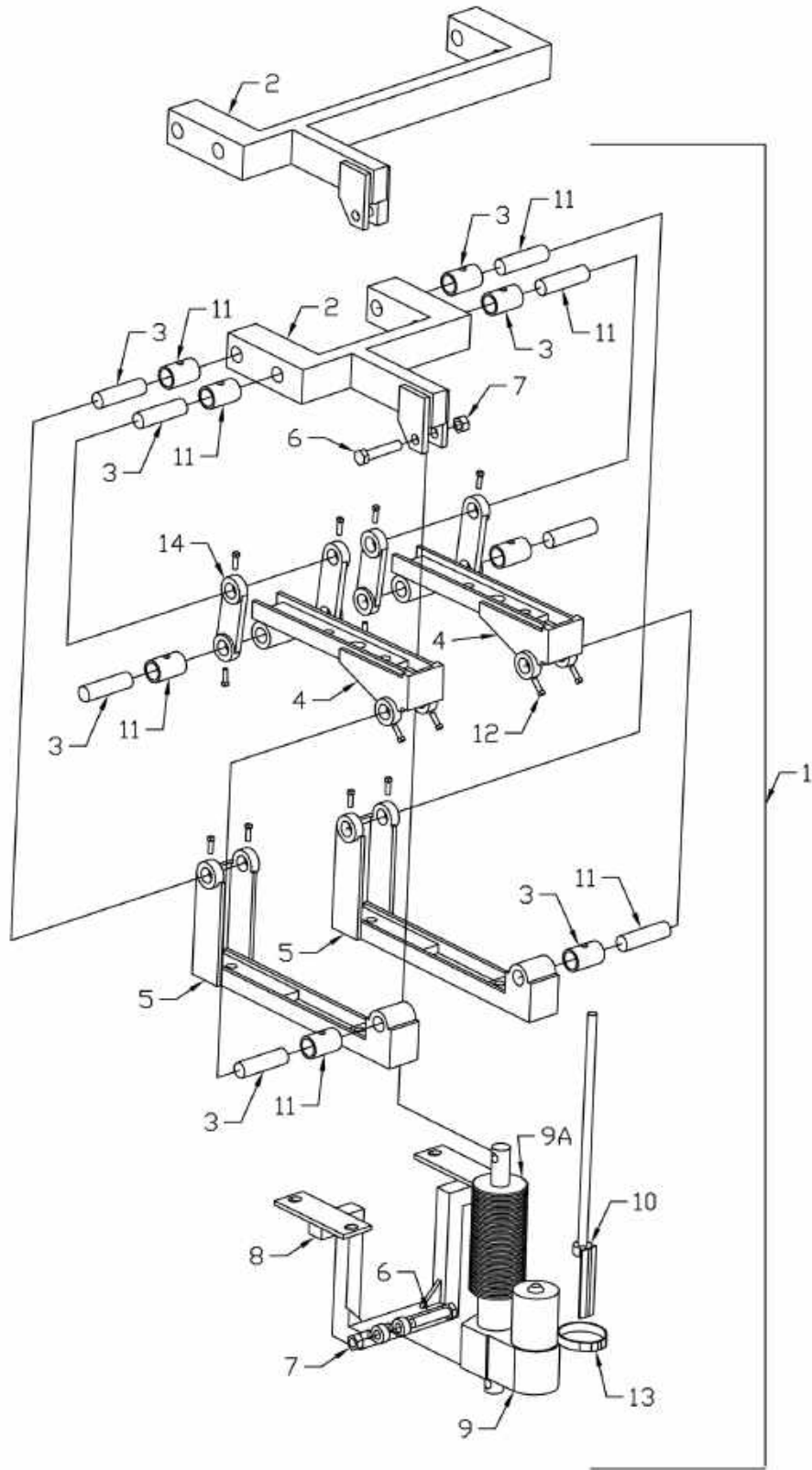


## DEPTH CONTROL

<b>Parts List</b>			
<b>ITEM</b>	<b>QTY</b>	<b>PART NUMBER</b>	<b>DESCRIPTION</b>
1	1/Head	<u>STE 003-SR</u>	Individual Depth Control Assembly, 42"/48" Floating Heads Only
	1 Pair	<u>STDA100-SR</u>	Pair Depth Control Assembly, 42"/48" Floating Heads Only
	1 Pair	<u>STDA100-30S</u>	Depth Control Assembly, 30" Solid Heads Only
	1 Pair	<u>STDA100-42S</u>	Depth Control Assembly, 42" Solid Heads Only
	1 Pair	<u>SDTA100-48S</u>	Depth Control Assembly, 48" Solid Heads Only
2	1	<u>DC0013</u>	Actuator Mounting Arm, 42"/48" Floating Heads Only
	1	<u>DCO 013-30S</u>	Actuator Mounting Arm, 30" Solid Heads Only
	1	<u>DCO 013-42S</u>	Actuator Mounting Arm, 42" Solid Heads Only
	1	<u>DCO 013-48S</u>	Actuator Mounting Arm, 48" Solid Heads Only
3	8	<u>DC0003</u>	Pivot Pin
4	2	<u>DC0015</u>	Bearing Mounting Arm
5	2	<u>DC0016</u>	Pivot Assembly Base
6	1	<u>13213</u>	1/2"-13 x 2-1/2" Grade 5 Zinc Finish Hex Cap Screw
7	1	<u>37268</u>	1/2"-13 Zinc Finish Grade C Top Lock Nut
8	1	<u>DC0014</u>	Actuator Mounting Arm, Lower
9	1	<u>DC0009-SR</u>	Actuator
9A	1	<u>DCO-116</u>	ACTUATOR BOOT
10	1	<u>DC0010</u>	Depth Gauge
11	8	<u>DC0011</u>	Replaceable Bushing
12	16	<u>DC0112</u>	5/16-18 Square Head Bolt, 1/2" long
13	1	<u>DC0 113</u>	Clamp
14	4	<u>DC0001</u>	Connecting Link



# DEPTH CONTROL





# 1<sup>ST</sup> CONVEYOR

<b>Parts List</b>			
<b>ITEM</b>	<b>QTY</b>	<b>PART NUMBER</b>	<b>DESCRIPTION</b>
1	1	<u>300FC100 (300)</u> <u>480FC100 (420/480)</u>	Main frame
2	1	<u>DS200-X</u>	Hydraulic motor
3	1	<u>WDRF1/4X1</u>	Woodruff key
4	1	<u>FC200</u>	Motor mounting bracket
5	1	<u>60BS10HT1</u>	Drive sprocket
6	2	<u>13209</u>	1/2"-13 x 1-1/2" Zinc SAE <u>J429</u> Gr 5 Cap Screw
7	2	<u>36308</u>	7/16"-14 Zinc Finish Grade 5 Finished Hex Nut
8	2	<u>33894</u>	7/16" Zinc Fin High Alloy Med Split Lock Washer
9	1	<u>60BS15HT1</u>	Driven sprocket
10	1	<u>420B10038</u>	1/4" Key stock, 1 1/2" long
11	8	<u>FL100</u>	Flange bearing
12	1	<u>1W002</u>	Bracket
13	2	<u>13157</u>	7/16"-14 x 1-1/4" Gr 5 Zinc Fin Hex Cap Screw
14	2	<u>33894</u>	7/16" Zinc Fin High Alloy Med Split Lock Washer
15	2	<u>33816</u>	7/16" Zinc Fin SAE Thru-Hardened Flat Washer
16	1	<u>480FC400</u>	Roller chain
17	1	<u>60HCONLINK</u>	Master link
18A	9	<u>SP004</u>	Mat Sprocket
18B	9	<u>SP004-NK</u>	Mat Sprocket, no keyway, no set screw
19	7	<u>480FC109</u>	1/4" Key stock
20	3	<u>S1053</u>	Driven shaft
21	2	<u>TB100</u>	Tapped pillow block bearing
22	10	<u>SC001</u>	1in. Set Collar
23	1	<u>S1049-48</u>	Drive shaft
24	8	<u>13160</u>	7/16"-14 x 1-3/4" Gr 5 Zinc Fin Hex Cap Screw
25	8	<u>36308</u>	7/16"-14 Zinc Finish Grade 5 Finished Hex Nut
26	8	<u>33894</u>	7/16" Zinc High Alloy Medium Split Lock Washer
27	4	<u>13103</u>	3/8"-16 x 3/4" Gr 5 Zinc Finish Hex Cap Screw
28	1	<u>5F1400-48</u>	Conveyor angle
29	5-300/420 7-480	<u>480FC120</u>	Wear strip
30	5-300/420 7-480	<u>21255</u>	5/16"-18 X 1" z CARRIAGE BOLT
31	5-300/420 7-480	<u>33892</u>	5/16 Lock Washer
32	5-300/420 7-480	<u>36304</u>	5/16"-18 Zinc Finish Grade 5 Finished Hex Nut
33	1	<u>KW420B-300 (300)</u> <u>KW420B-420 (420)</u> <u>KW420B-480 (480)</u>	Conveyor mat
34	1	<u>300FC115R (300)</u> <u>420FC115R (420)</u> <u>480FC115R (480)</u>	Sod guide, Right

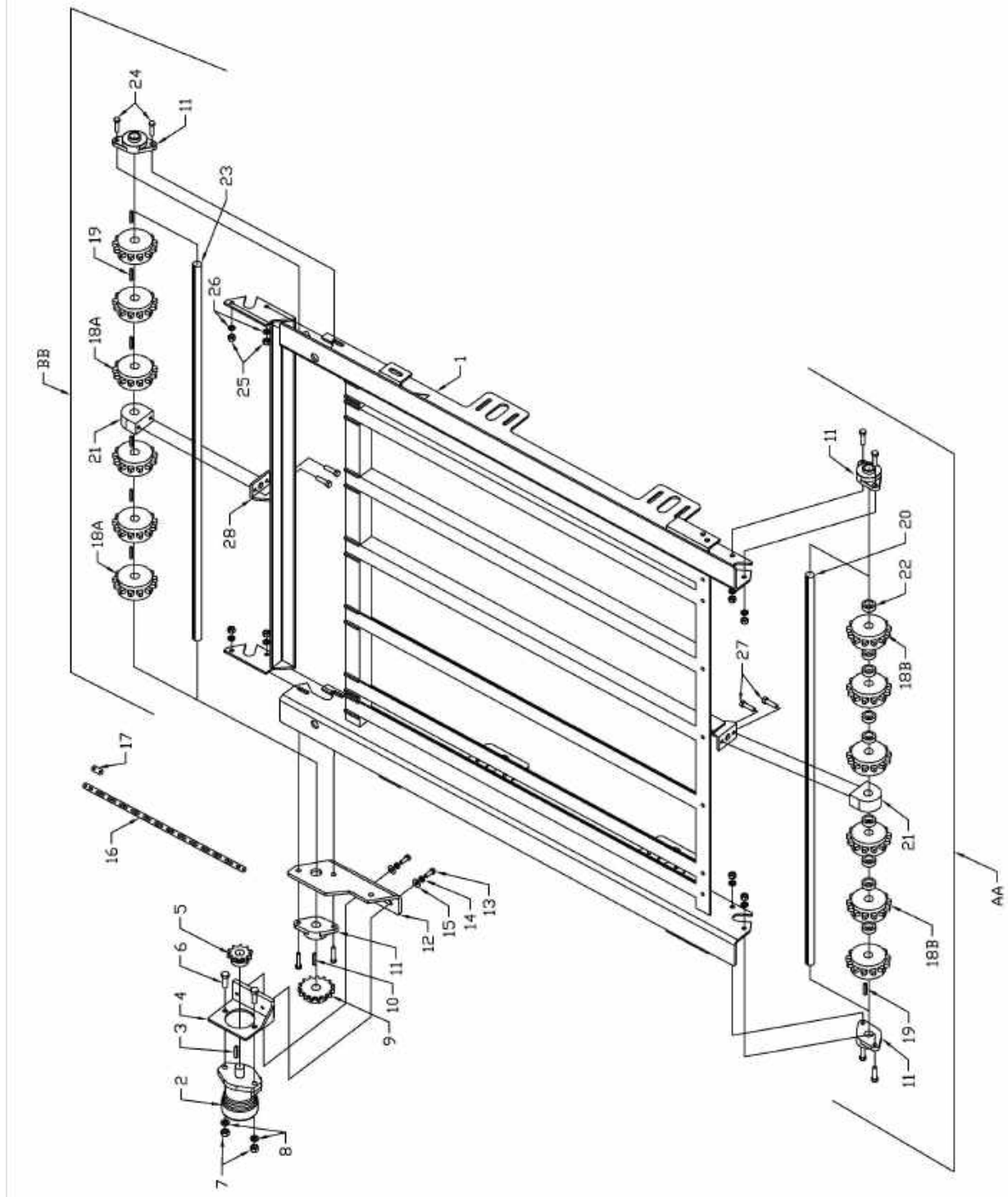


# 1<sup>ST</sup> CONVEYOR

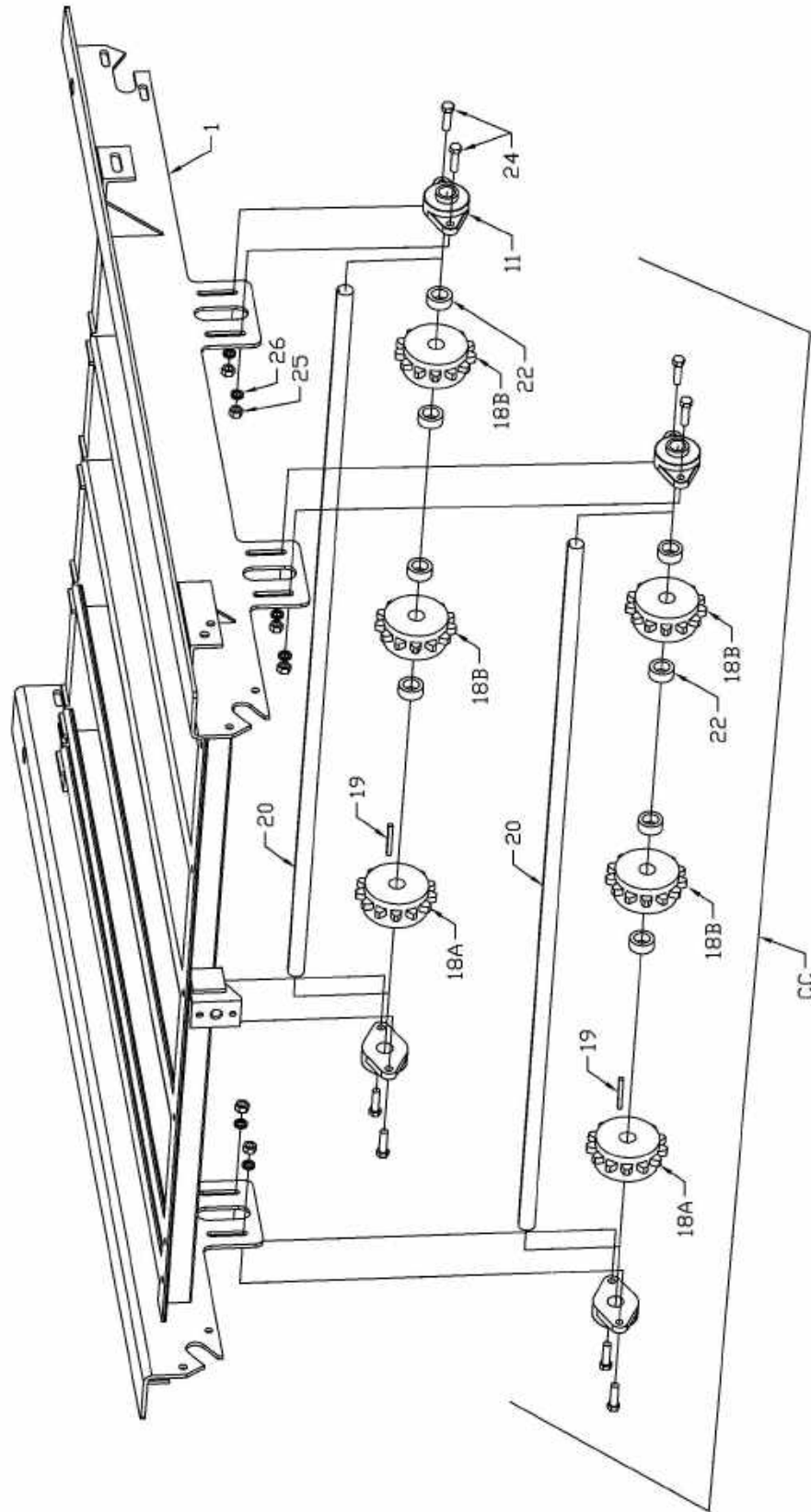
<b>Parts List</b>			
<b>ITEM</b>	<b>QTY</b>	<b>PART NUMBER</b>	<b>DESCRIPTION</b>
35	1	<u>300FC115L (300)</u> <u>420FC115L (420)</u> <u>480FC115L (480)</u>	Sod guide, Left
36	1	<u>MR420-30 (300)</u> <u>MR420 (420)</u> <u>MR420-48 (480)</u>	Conveyor mat connecting rod
37	1	<u>37015</u>	10-32 Zinc Fin NM Gr 2 Nylon Insert Lock Nut
38	8	<u>13157</u>	7/16"-14 x 1-1/4" Gr 5 Zinc Fin Hex Cap Screw
39	16	<u>33816</u>	7/16" Zinc Fin SAE Thru-Hardened Flat Washer
40	8	<u>33894</u>	7/16" Zinc Fin High Alloy Med Split Lock Washer
41	8	<u>36308</u>	7/16"-14 Zinc Finish Grade 5 Finished Hex Nut
<b>Repair Kits &amp; Assemblies</b>			
	1	<u>11188319</u>	Seal kit for <u>DS200-X</u> conveyor motor
AA	1	<u>S1053-300SR – (300)</u> <u>S1053-420SR – (420)</u> <u>S1053-480SR – (480)</u>	1 <sup>ST</sup> CONV. BOTTOM SHAFT ASSY
BB	1	<u>S1049-300SR – (300)</u> <u>S1049-48-420SR – (420)</u> <u>S1049-48-480SR – (480)</u>	1 <sup>ST</sup> CONV. DRIVE SHAFT ASSY
CC	2	<u>S1053-IDLER-300SR – (300)</u> <u>S1053-IDLER-420SR - (420)</u> <u>S1053-IDLER-480SR - (480)</u>	1 <sup>ST</sup> CONV. IDLE SHAFT ASSY



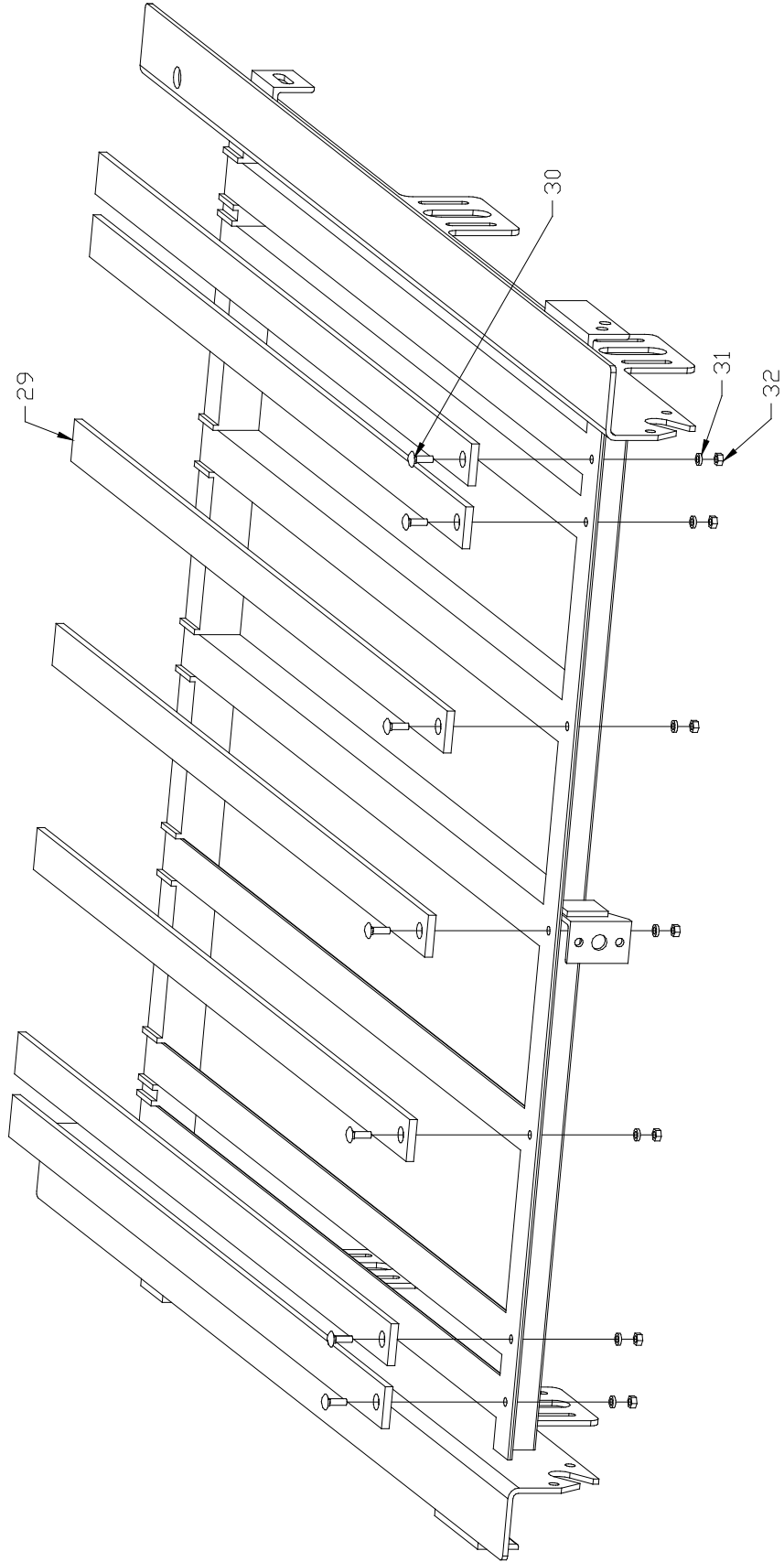
# 1<sup>ST</sup> CONVEYOR



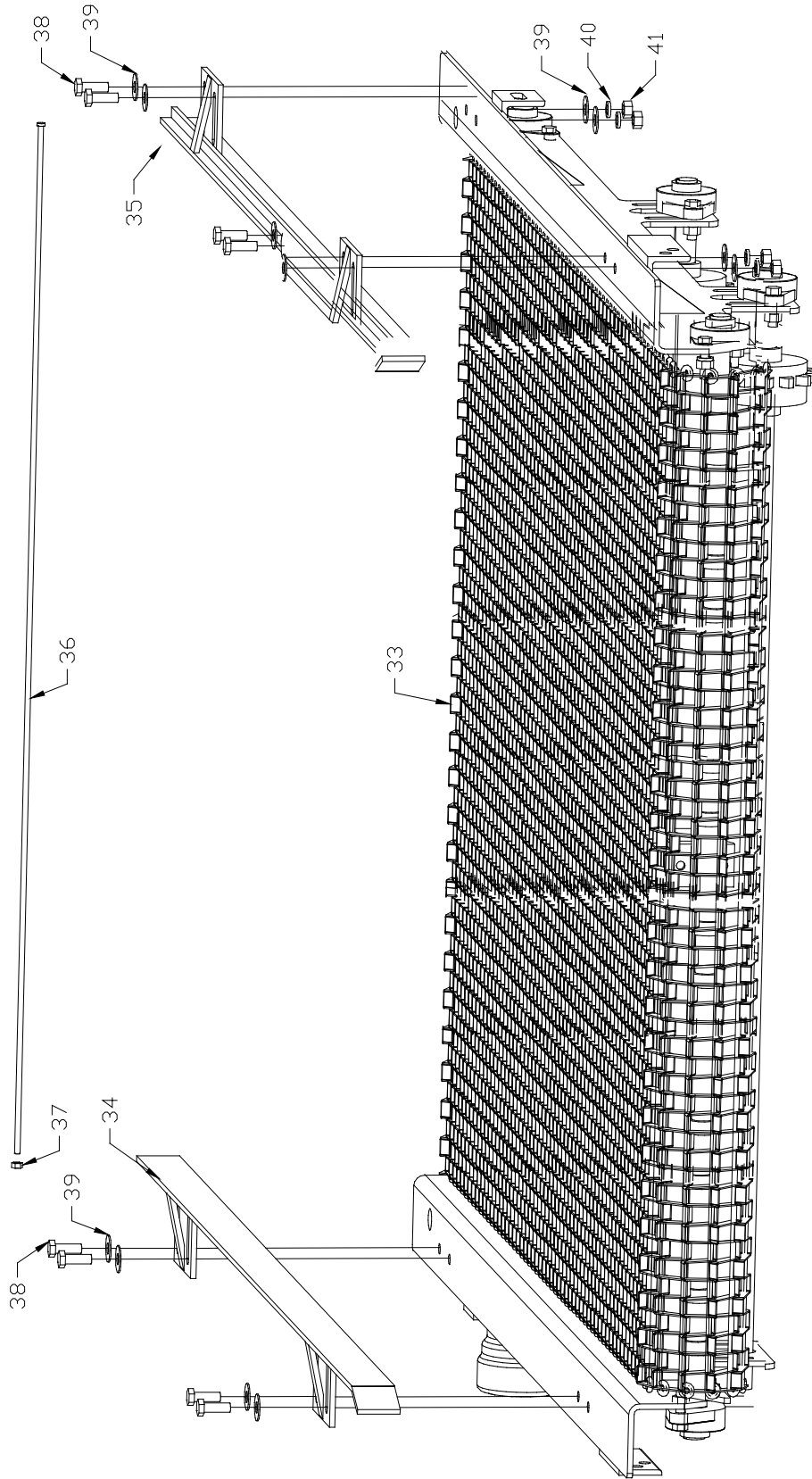
# 1<sup>ST</sup> CONVEYOR



# 1<sup>ST</sup> CONVEYOR



# 1<sup>ST</sup> CONVEYOR





# 1<sup>ST</sup> CONVEYOR RUBBER BELT

Parts List			
ITEM	QTY	PART NUMBER	DESCRIPTION
1	1	480FC000 (420/480)	Main frame
2	1	DS200-X	Hydraulic motor
3	1	WDRF1/4X1	Woodruff key
4	1	FC200	Motor mounting bracket
5	1	60BS10HT1	Drive sprocket
6	2	13209	1/2"-13 x 1-1/2" Zinc SAE J429 Gr 5 Cap Screw
7	2	36308	7/16"-14 Zinc Finish Grade 5 Finished Hex Nut
8	2	33894	7/16" Zinc High Alloy Medium Split Lock Washer
9	1	60BS15HT1	Driven sprocket
10	1	1 1/2inKEYSTOCK	1/4" Square key, 1 1/2" long
11	6	FL100	Flange bearing
12	1	1W002	Bracket
13	2	13157	7/16"-14 x 1-1/4" Gr 5 Zinc Fin Hex Cap Screw
14	2	33894	7/16" Zinc High Alloy Medium Split Lock Washer
15	2	33816	7/16" Zinc Fin SAE Thru-Hardened Flat Washer
16	1	480FC400	Roller chain
17	1	60HCONLINK	Master link
18	54	110120312	1/4"-20 x 3" Grade 5 Zinc Finish Hex Cap Screw
19	9	33891	1/4" Zinc Fin SAE Thru-Hardened Flat Washer
20	1	SC128	Flange
21	6	04-102	Plastic Sprocket
22	6	SC127	Sprocket Hub
23	54	13003	1/4"-20 x 3/4" Gr 5 Zinc Finish Hex Cap Screw
24	4	TB100	Tapped pillow block bearing
25	12	480FC109	1/4" KEYSTOCK
26	12	13160	7/16"-14 x 1-3/4" Gr 5 Zinc Fin Hex Cap Screw
27	1	S1049-48	Drive Shaft
28	12	33894	7/16" Zinc Finish High Alloy Split Lock Washer
29	12	36308	7/16"-14 Zinc Finish Grade 5 Finished Hex Nut
30	4	13103	3/8"-16 x 3/4" Gr 5 Zinc Finish Hex Cap Screw
31	1	S1048-48	Idler Shaft
32	6	SP300	Plastic Idler Sprocket
33	1	480FC003	Roller
34	6	480FC004	Wear Strip
35	6	0124739	Wear Strip Fastener (part of bolt kit SC300)
36	6	36304	5/16"-18 Nut (part of bolt kit SC300), gr 5 zinc fin
37	6	21255	Wear Strip Fastener (part of bolt kit SC300)
38	6	33892	Lockwasher (part of bolt kit SC300) 5/16"
39	6	36304	Nut (part of bolt kit SC300), 5/16"
40	1	420FC115R (420) 480FC115R (480)	Sod Guide, Right
41	1	420FC115L (420) 480FC115L (480)	Sod Guide, Left
42	4	480FC007	Sod Guide Spacer Block
43	8	13157	7/16"-14 x 1-1/4" Gr 5 Zinc Fin Hex Cap Screw
44	8	33816	7/16" Yellow Zinc Finish SAE Flat Washer

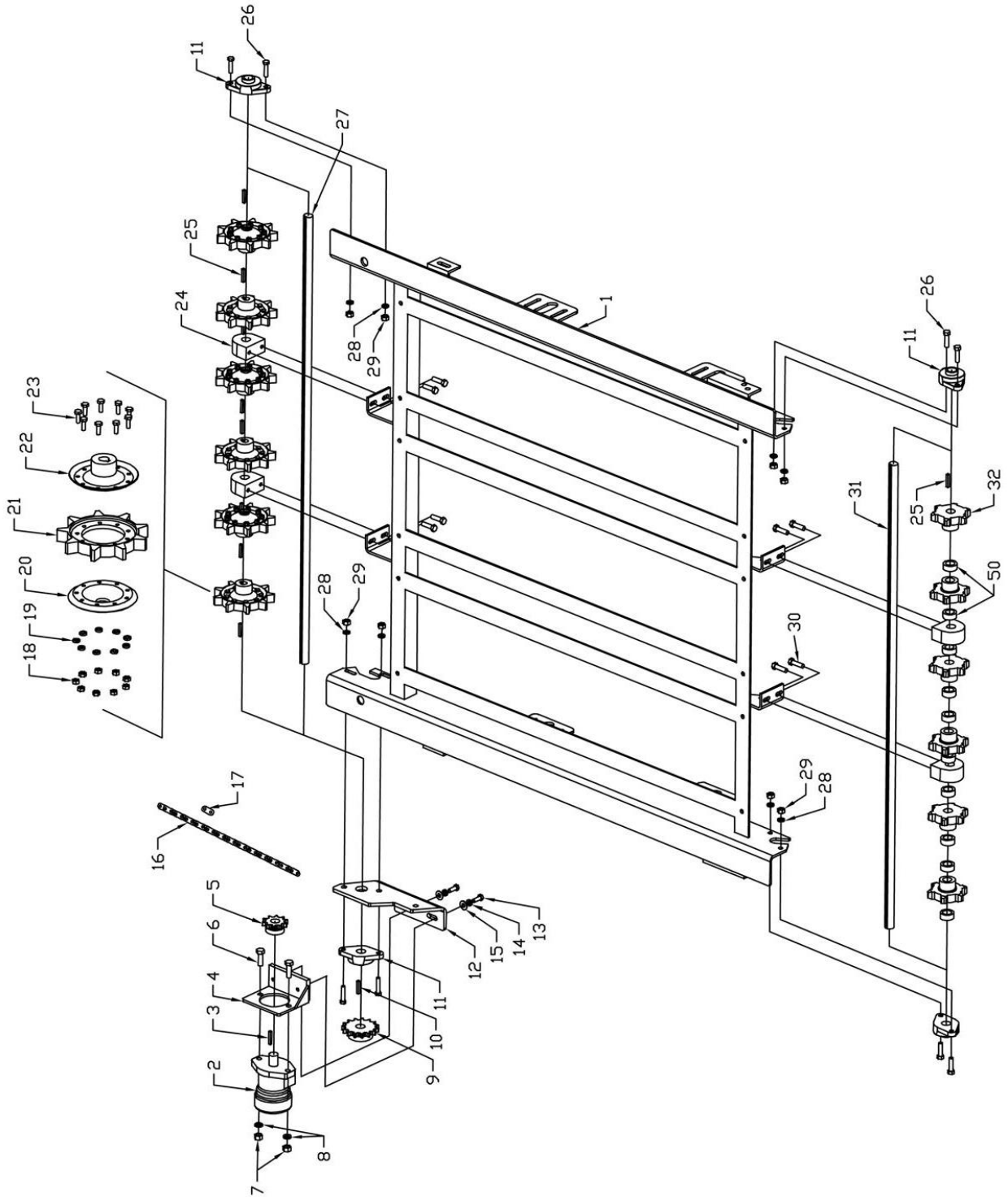


# 1<sup>ST</sup> CONVEYOR RUBBER BELT

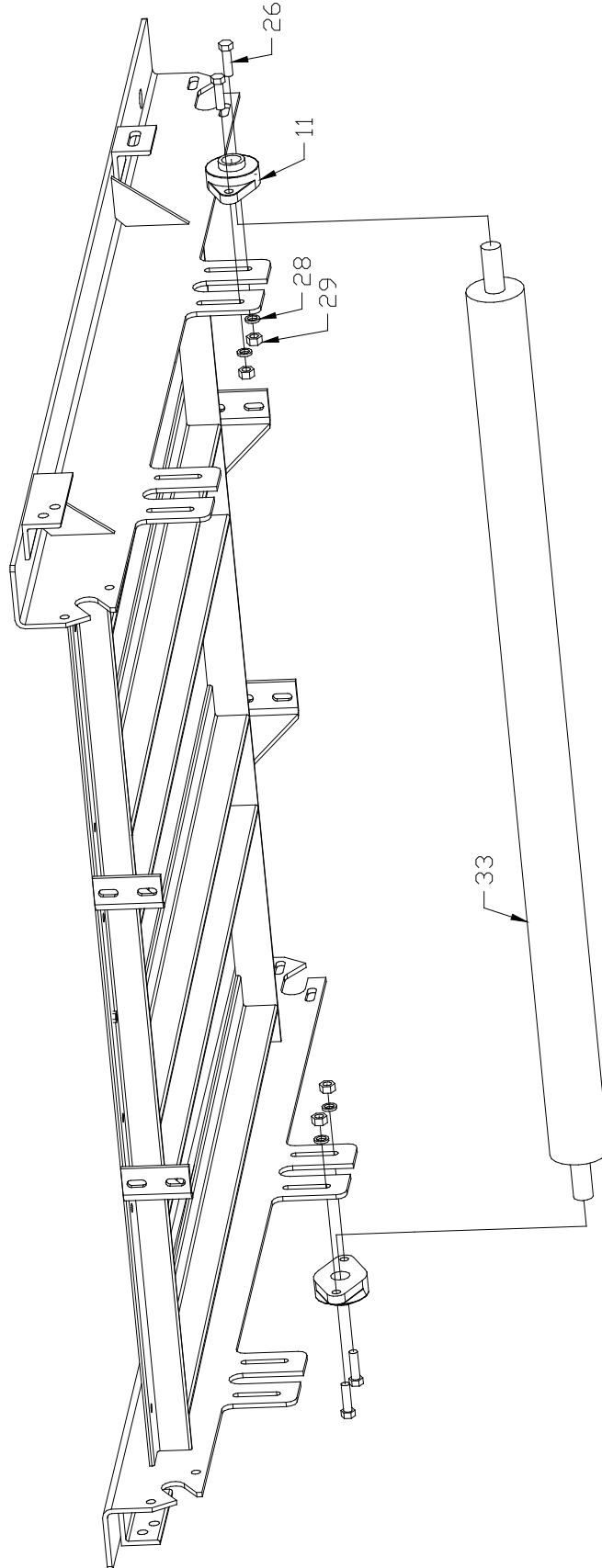
<b>Parts List</b>			
<b>ITEM</b>	<b>QTY</b>	<b>PART NUMBER</b>	<b>DESCRIPTION</b>
45	8	<u>33894</u>	7/16" Zinc Fin High Alloy Med Split Lock Washer
46	8	<u>36308</u>	7/16"-14 Zinc Finish Grade 5 Finished Hex Nut
47	3	<u>480FC006</u>	Rubber Belting
48	9	<u>140C-H</u>	1/2 Lace Plate w/ Bolt, Plat, and Nut
49	9	<u>140C</u>	Lace Pale w/ Bolt, Plate, and Nut
50	10	<u>SC001</u>	One Piece Split Collar
<b>Repair Kits</b>			
	1	<u>11188319</u>	Seal kit for <u>DS200-X</u> conveyor motor



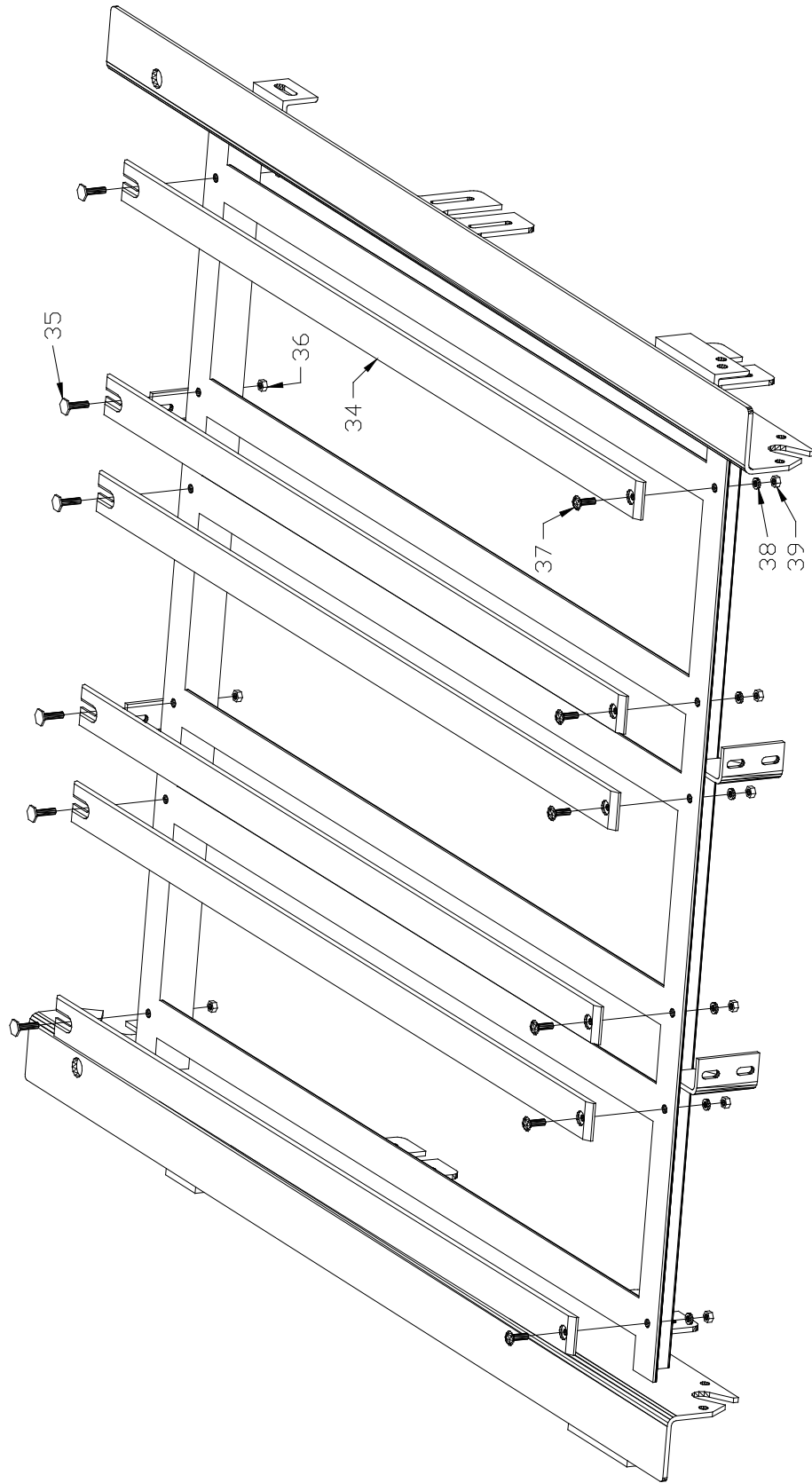
# 1<sup>ST</sup> CONVEYOR RUBBER BELT



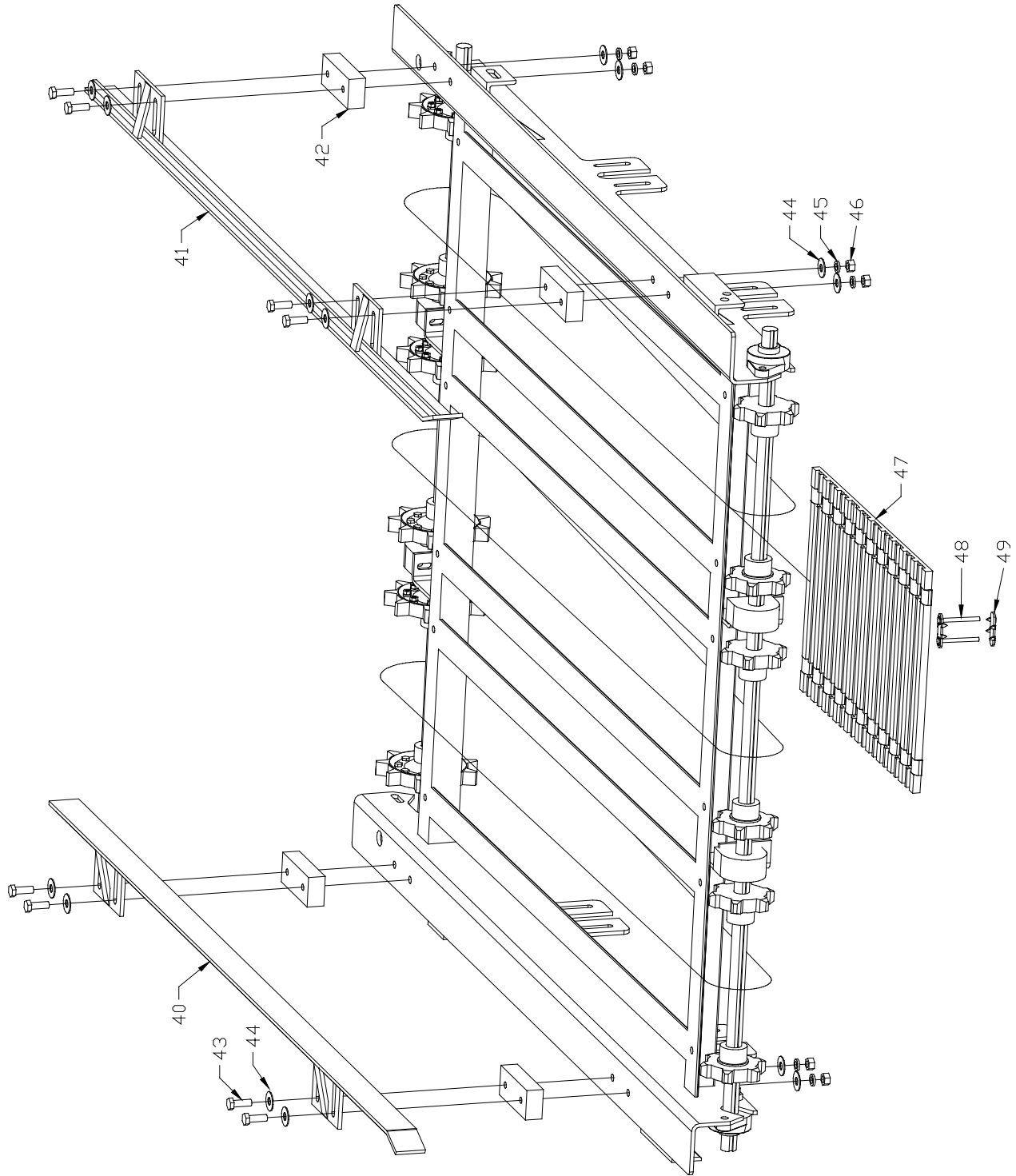
# 1<sup>ST</sup> CONVEYOR RUBBER BELT



# 1<sup>ST</sup> CONVEYOR RUBBER BELT



# 1<sup>ST</sup> CONVEYOR RUBBER BELT





## 2<sup>nd</sup> CONVEYOR

Parts List			
ITEM	QTY	PART NUMBER	DESCRIPTION
1	1	<u>420SC100</u>	Main frame
2	1	<u>151F2304</u>	Hydraulic motor
3	2	<u>SC126</u>	Hydraulic motor pull bracket
4	2	<u>60BS10HT1</u>	Drive sprocket
5	1	<u>60BS15HT1</u>	Driven sprocket
6	1	<u>SC400 (vertical conveyor)</u> <u>SC401 (horizontal conveyor)</u>	Conveyor drive chain
7	2	<u>60HCONLINK</u>	Master link
8	4	<u>420B10038</u>	1/4" Key stock, 1 1/2" long
9	8	<u>FL100</u>	Flange bearing
10	4	<u>TB100</u>	Tapped pillow block bearing
11	1	<u>SC129</u>	Horizontal conveyor idler shaft
12	1	<u>SC130</u>	Horizontal conveyor drive shaft
13	6	<u>480FC109</u>	1/4" KEYSTOCK
14	9	<u>13003</u>	1/4"-20 x 3/4" Grade 5 Zinc Finish Hex Cap Screw
15	9	<u>SC127</u>	Sprocket hub
16	24	<u>04-102</u>	Plastic sprocket
17	9	<u>SC128</u>	Flange
18	9	<u>33891</u>	1/4" Zinc Finish High Alloy Split Lock Washer
19	9	<u>36302</u>	1/4"-20 Zinc Finish Grade 5 Finished Hex Nut
20	2	<u>1113823</u>	1/2"-13 x 2 1/2" Grade 5 Zinc Plated Tap Bolt
21	2	<u>36210</u>	1/2"-13 Zinc Plated Hex Jam Nut
22	4	<u>0115210</u>	1/2"-13 x 1-3/4" Grade 8 Yellow Zinc Finish Hex Cap Screw
23	2	<u>33817</u>	1/2 SAE WASHER
24	4	<u>13159</u>	7/16"-14 x 1-1/2" Grade 5 Zinc Finish Hex Cap Screw
25	4	<u>33816</u>	7/16" Yellow Zinc Finish SAE Thru-Hardened Flat Washer
26	8	<u>13105</u>	3/8"-16 x 1" Zinc Finish SAE <u>J429</u> Grade 5 Hex Cap Screw
27	8	<u>33893</u>	3/8" Yellow Zinc Finish High Alloy Medium Split Lock Washer
28	8	<u>33859</u>	3/8" Yellow Zinc Finish USS Thru-Hardened Flat Washer
29	16	<u>36308</u>	7/16"-14 Zinc Finish Grade 5 Finished Hex Nut
30	16	<u>33894</u>	7/16" Yell Zinc Finish High Alloy Medium Split Lock Washer
31	8	<u>13109</u>	3/8"-16x1-1/2" Zinc Finish SAE <u>J429</u> Grade 5 Hex Cap Screw
32	4	<u>33893</u>	3/8" Yellow Zinc Finish High Alloy Medium Split Lock Washer
33	2	<u>SC150</u>	Stationary finger
34	4	<u>13159</u>	7/16"-14 x 1-1/2" Grade 5 Zinc Finish Hex Cap Screw
35	4	<u>33816</u>	7/16" Yellow Zinc Finish SAE Thru-Hardened Flat Washer
36	2	<u>36310</u>	1/2"-13 Zinc Finish Grade 5 Finished Hex Nut
37	2	<u>33895</u>	1/2" Yellow Zinc Finish High Alloy Medium Split Lock Washer
38	1	<u>SC130</u>	Vertical conveyor drive shaft
39	1	<u>BH100</u>	Bearing hanger
40	1	<u>480TTAD001</u>	Support
41	2	<u>33817</u>	1/2 SAE WASHER
42	2	<u>33895</u>	1/2" Yellow Zinc Finish High Alloy Medium Split Lock Washer
43	2	<u>36310</u>	1/2"-13 Zinc Finish Grade 5 Finished Hex Nut
44	1	<u>DS200-X</u>	Danfoss conveyor/tipper motor - 1 in. shaft



## 2<sup>nd</sup> CONVEYOR

Parts List			
ITEM	QTY	PART NUMBER	DESCRIPTION
45	1	<u>60BS14HT1</u>	Sprocket
46	1	<u>SC129</u>	Vertical conveyor idler shaft
47	4	<u>13209</u>	1/2"-13 x 1-1/2" Zinc Finish SAE <u>J429</u> Grade 5 Cap Screw
48	4	<u>33817</u>	1/2" SAE WASHER
49	4	<u>13105</u>	3/8"-16 x 1" Zinc Finish SAE <u>J429</u> Grade 5 Hex Cap Screw
50	4	<u>33893</u>	3/8" Yellow Zinc Finish High Alloy Medium Split Lock Washer
51	4	<u>33859</u>	3/8" Yellow Zinc Finish USS Thru-Hardened Flat Washer
52	2	<u>36310</u>	1/2"-13 Zinc Finish Grade 5 Finished Hex Nut
53	2	<u>33895</u>	1/2" Yellow Zinc Finish High Alloy Medium Split Lock Washer
54	2	<u>33817</u>	1/2" SAE WASHER
55	2	<u>13209</u>	1/2"-13x1-1/2" Zinc Finish SAE <u>J429</u> Grade 5 Hex Cap Screw
56	2	<u>33817</u>	1/2" SAE WASHER
57	4	<u>13105</u>	3/8"-16 x 1" Zinc Finish SAE <u>J429</u> Grade 5 Hex Cap Screw
58	8	<u>33893</u>	3/8" Yellow Zinc Finish High Alloy Medium Split Lock Washer
59	4	<u>33859</u>	3/8" Yellow Zinc Finish USS Thru-Hardened Flat Washer
60	4	<u>13159</u>	7/16"-14 x 1-1/2" Grade 5 Zinc Finish Hex Cap Screw
61	4	<u>33816</u>	7/16" Yellow Zinc Finish SAE Thru-Hardened Flat Washer
62	6	<u>SC106</u>	Idler plate
63	6	<u>F2BSC012</u>	Flange bearing
64	6	<u>SR-SC402</u>	Idler wheel
65	6	<u>C-075</u>	Set collar
66	3	<u>SC190</u>	Idler shaft
67	12	<u>33895</u>	1/2" Yellow Zinc Finish High Alloy Medium Split Lock Washer
68	12	<u>36310</u>	1/2"-13 Zinc Finish Grade 5 Finished Hex Nut
69	6	<u>SC221</u>	3/16 key X 2.25 inches long key
70	12	<u>13209</u>	1/2"-13x1-1/2" Zinc Finish SAE <u>J429</u> Grade 5 Hex Cap Screw
71	6	<u>33012</u>	1/2" Zinc Finish USS Flat Washer
72	2	<u>R281</u>	Cross valve spring
73	1	<u>SC121</u>	Spring mount plate
74	1	<u>13212</u>	1/2"-13x2-1/4" Zinc Finish SAE <u>J429</u> Grade 5 Hex Cap Screw
75	1	<u>13209</u>	1/2"-13x1-1/2" Zinc Finish SAE <u>J429</u> Grade 5 Hex Cap Screw
76	2	<u>33895</u>	1/2" Yellow Zinc Finish High Alloy Medium Split Lock Washer
77	2	<u>36310</u>	1/2"-13 Zinc Finish Grade 5 Finished Hex Nut
78	2	<u>SC210</u>	Sod finger
79	12	<u>38061</u>	5/16"-18 Grade 9 Yellow Zinc Finish Steel Top Lock
80	2	<u>SC211</u>	Sod finger stop bracket
81	2	<u>SC212</u>	Bushing
82	4	<u>HS100</u>	Spring
83	6	<u>SC214</u>	Vertical wear strip
84	12	<u>0124739</u>	Wear strip fastener (part of bolt kit <u>SC300</u> )
85	12	<u>21255</u>	Wear strip fastener (part of bolt kit <u>SC300</u> )
86	6	<u>SC213</u>	Horizontal wear strip
87	3	<u>SC216</u>	Vertical belt
88	3	<u>SC215</u>	Horizontal belt
89	1	<u>022633-L</u>	LEFT Hydraulic cylinder
	1	<u>022633-R</u>	RIGHT HYDRAULIC CYLINDER

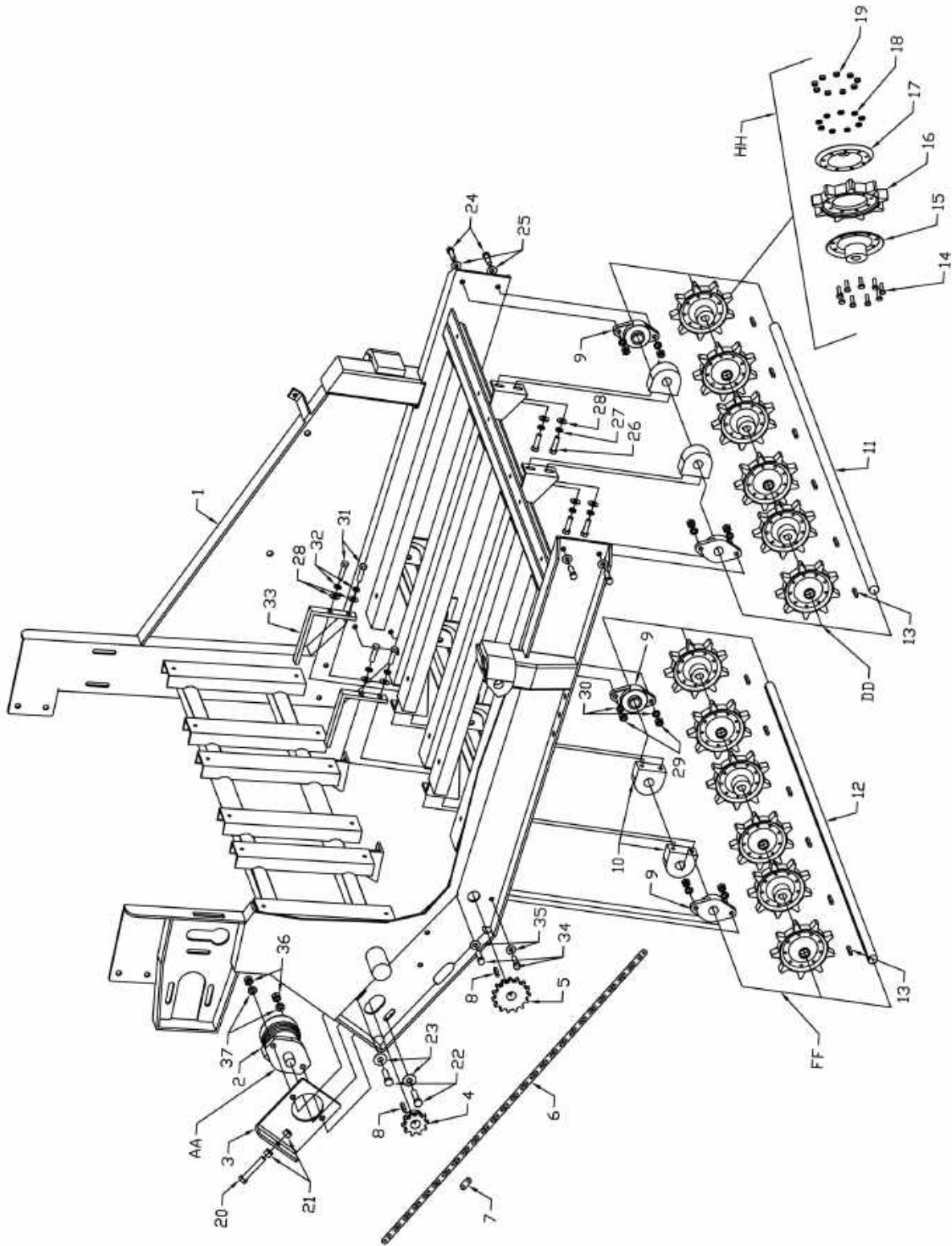


## 2<sup>nd</sup> CONVEYOR

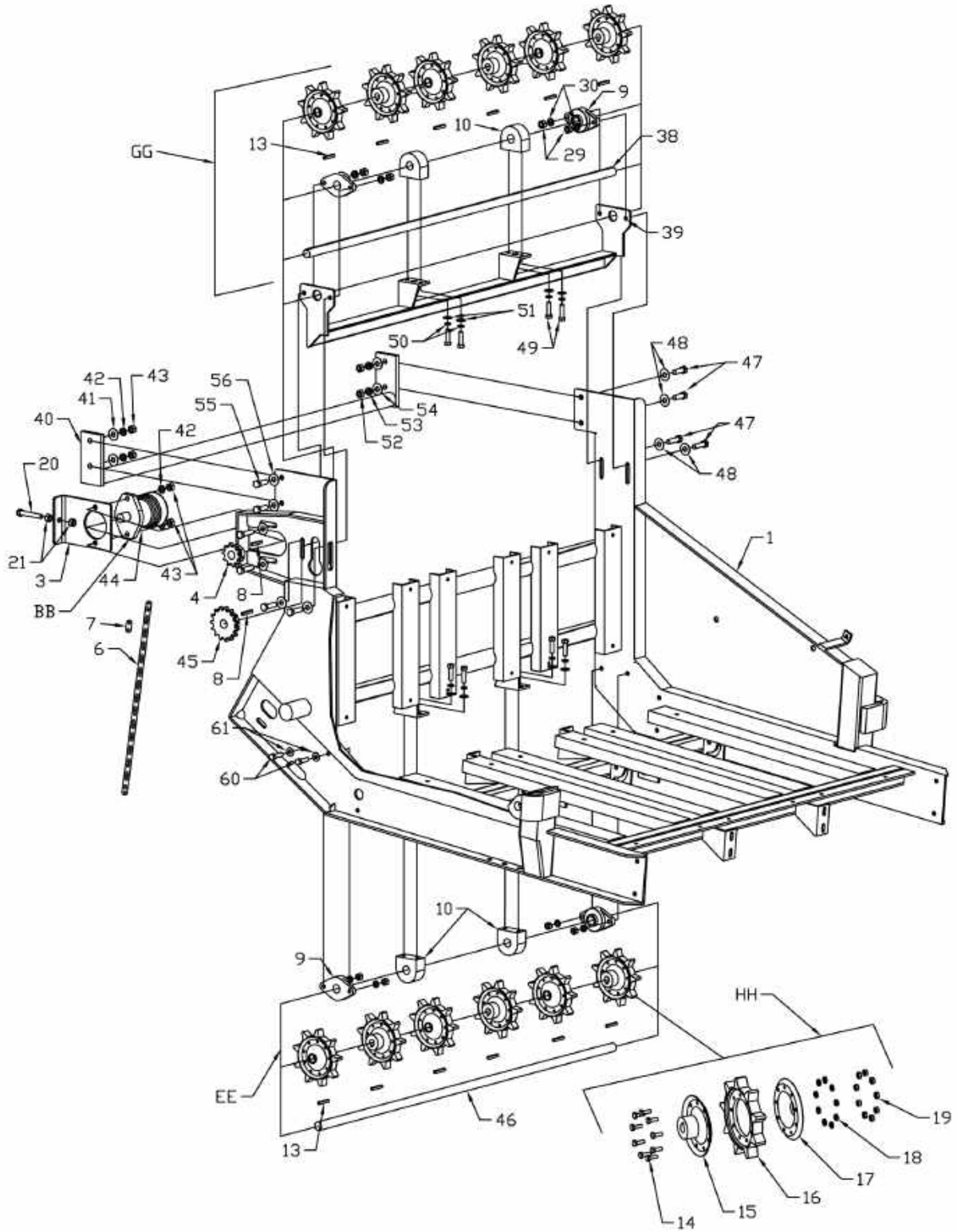
<b>Parts List</b>			
<b>ITEM</b>	<b>QTY</b>	<b>PART NUMBER</b>	<b>DESCRIPTION</b>
90	4	<u>1133820</u>	3/4"x1.469"OD Thru-Hardened Zinc Steel SAE Flat Washer
91	4	<u>100075075</u>	Steel Spring Bushing
92	2	<u>100075100</u>	Steel Spring Bushing
93	2	<u>SC219</u>	Clevis pin
94	2	<u>1D155</u>	Clevis pin
95	1	<u>SC170 (left side)</u> <u>SC175 (right side)</u>	Cylinder stop
96	1	<u>SC180</u>	Shield
97	1	<u>SC181</u>	Shield
98	4	<u>13001</u>	1/4"-20 x 1/2" Zinc Finish SAE <u>J429</u> Grade 5 Hex Cap Screw
99	4	<u>33891</u>	1/4" Zinc Finish High Alloy Split Lock Washer
100	1	<u>300SC160 (300)</u> <u>SC160 (420)</u> <u>480SC160 (480)</u>	Right side sod guide
101	1	<u>300SC161 (300)</u> <u>SC161 (420)</u> <u>480SC161 (480)</u>	Left side sod guide
102	4	<u>13209</u>	1/2"-13x1-1/2" Zinc Finish SAE <u>J429</u> Grade 5 Hex Cap Screw
103	4	<u>33895</u>	1/2" Yellow Zinc Finish High Alloy Medium Split Lock Washer
104	4	<u>33817</u>	1/2"x1.062"OD Thru-Hard Zinc Finish Steel SAE Flat Washer
105	2	<u>0156984</u>	Hitch pin clip
106	2	<u>0120679</u>	Snap pin
107	510	<u>04-149-01</u>	Belt clips
108	18	<u>140C</u>	Lace plate with bolt, plate and nut
109	12	<u>140CH</u>	1/2 lace plate with bolt, plate and nut
110	2	<u>SC118</u>	Split collar
111	2	<u>Cotter Pin</u>	Cotter Pin
112			
113	4	<u>36306</u>	3/8"-16 Zinc Finish Grade 5 Finished Hex Nut
114	2	<u>PB200</u>	2" PILLOW BLOCK BEARING
<b>Repair Kits &amp; Assemblies</b>			
AA	1	<u>151F-0111</u>	Seal kit for <u>151F2304</u> horizontal conveyor motor
BB	1	<u>11188319</u>	Seal kit for <u>DS200-X</u> vertical conveyor motor
CC	12	<u>SC300</u>	Fastener kit for wear strips
DD	1	<u>SC129-ASMH</u>	Horizontal idler shaft complete
EE	1	<u>SC129-ASMV</u>	Vertical idler shaft complete
FF	1	<u>SC130-ASMH</u>	Horizontal drive shaft complete
GG	1	<u>SC130-ASMV</u>	Vertical drive shaft complete
HH	24	<u>SC901</u>	SR SPROCKET ASSEMBLY
JJ	3	<u>SC902</u>	SECOND CONVEYOR IDLER ASSEMBLY



# 2<sup>nd</sup> CONVEYOR

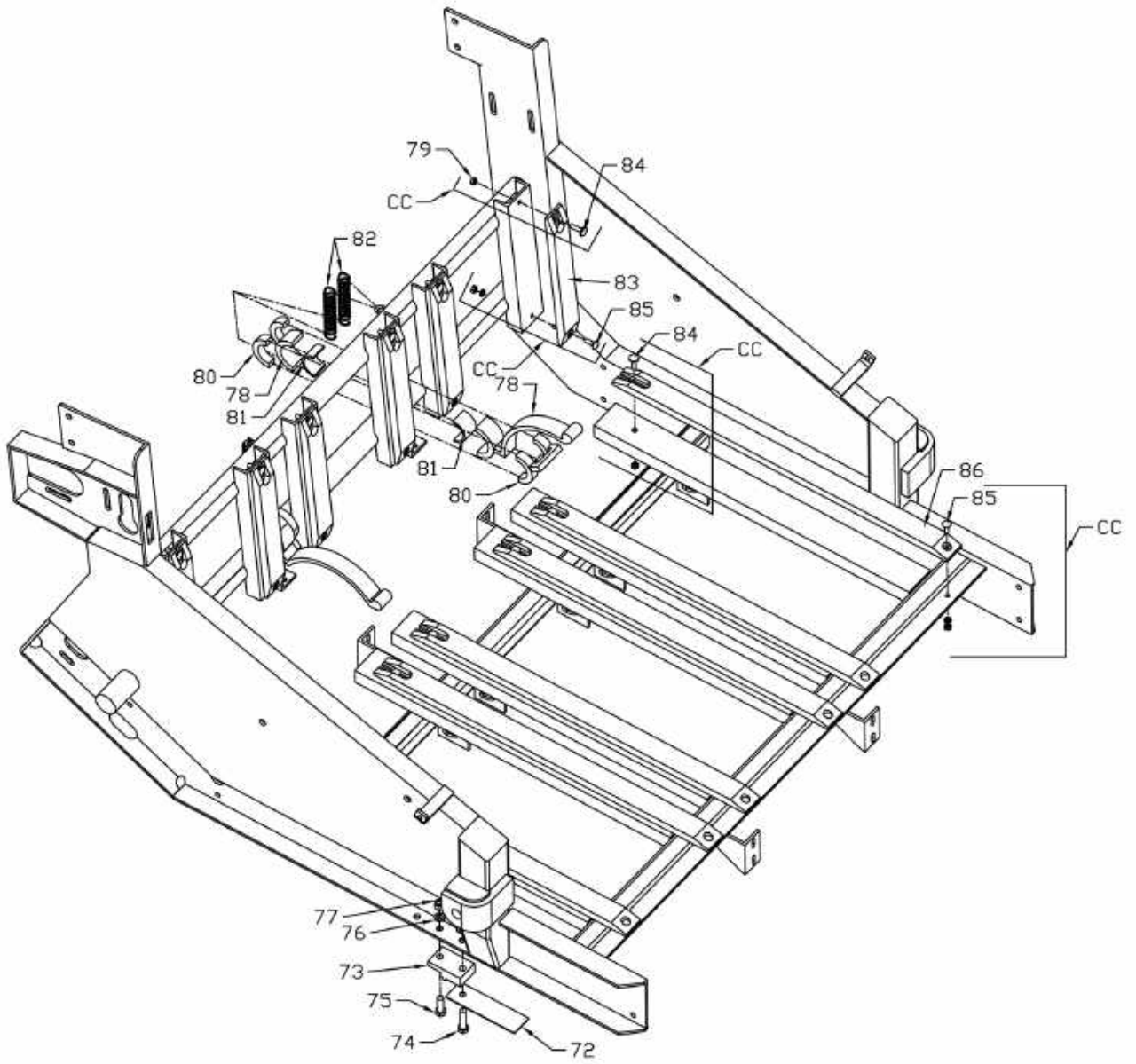


# 2<sup>nd</sup> CONVEYOR

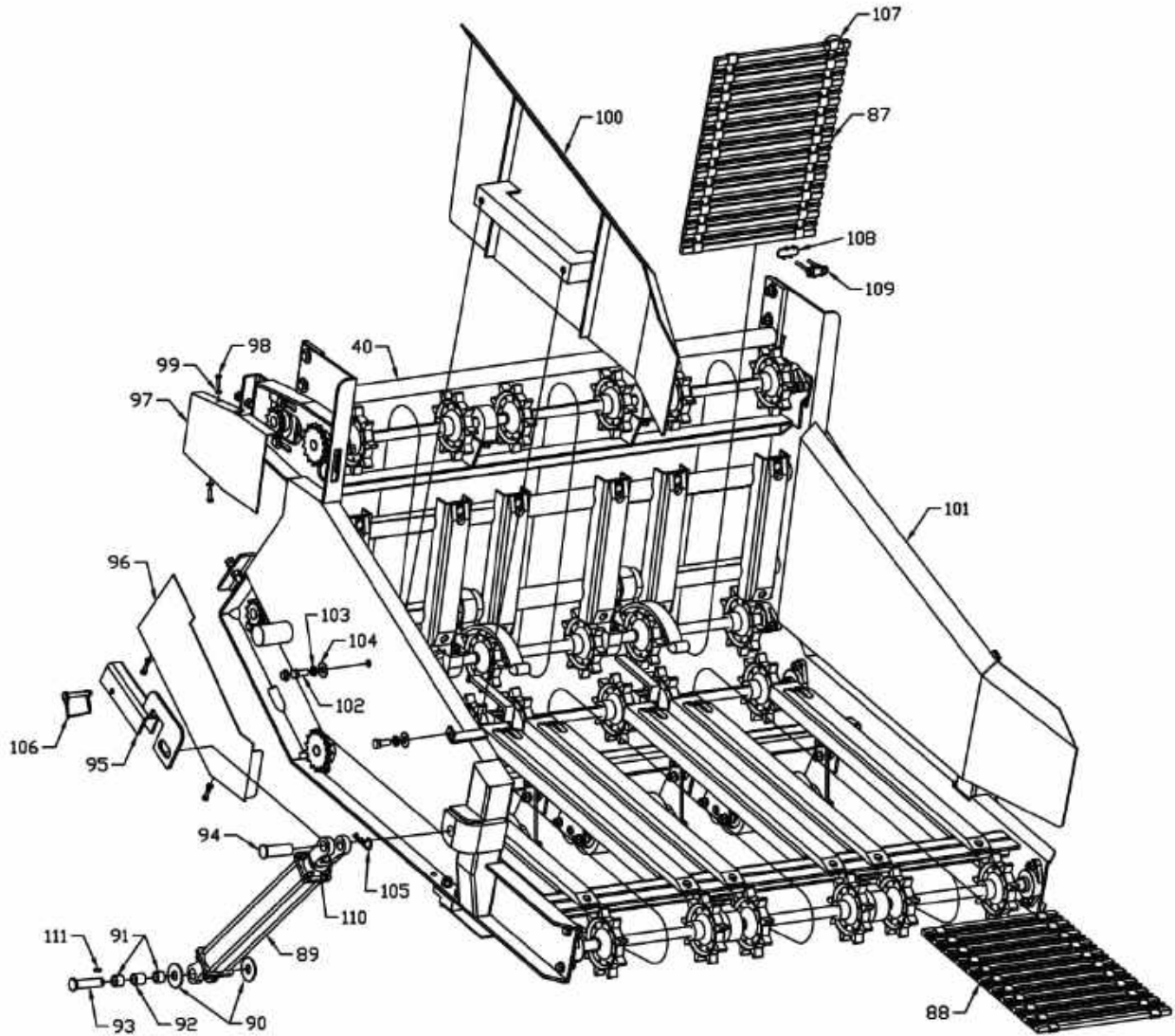




# 2<sup>nd</sup> CONVEYOR



# 2<sup>nd</sup> CONVEYOR



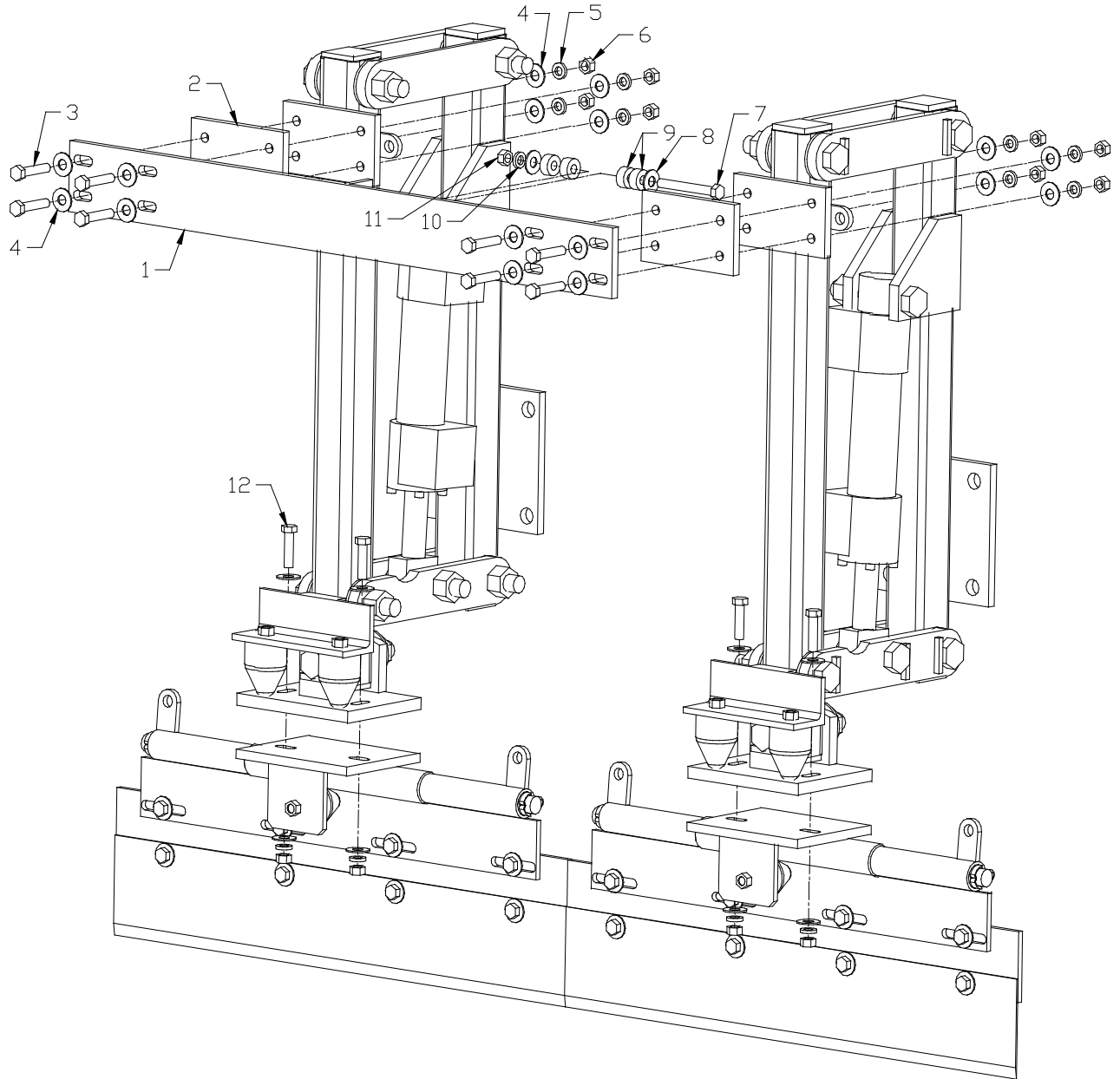


## CHOP OFFS

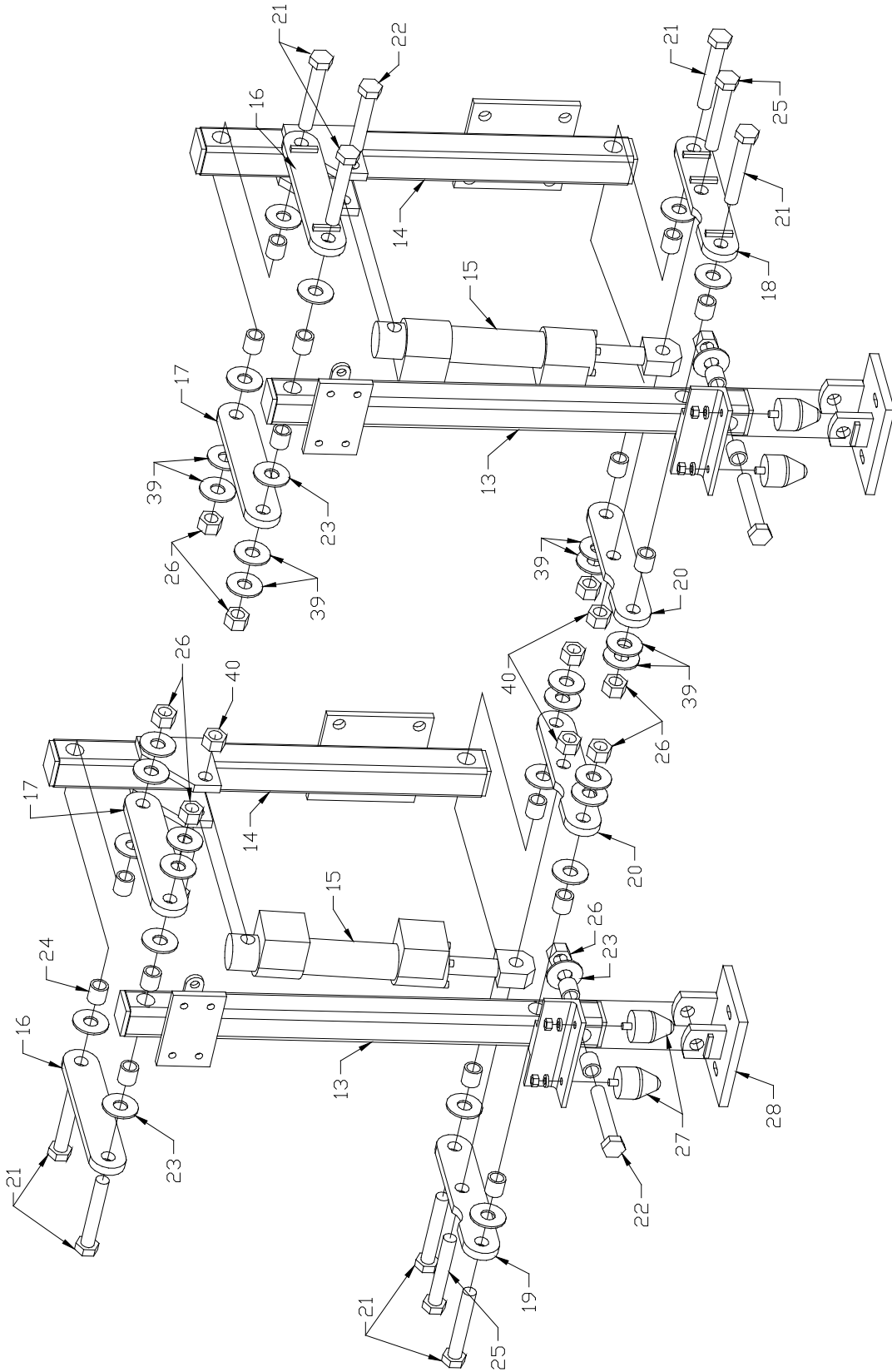
<b>Parts List</b>			
<b>ITEM</b>	<b>QTY</b>	<b>PART NUMBER</b>	<b>DESCRIPTION</b>
1	1	480CO110 (300/420)	Top cross brace
1	1	<u>480CO111 (480)</u>	Top cross brace
2	2	<u>480CO103C</u>	Cross brace spacer
3	8	13110	3/8"-16x1-3/4" Grade 5 Zinc Finish Cap Screw
4	16	33859	3/8" Yel Zinc Finish USS Thru-Hard Flat Washer
5	8	<u>33893</u>	3/8"Yel Zinc Fin Hi Alloy Med Split Lock Washer
6	8	<u>0169236</u>	3/8"-16 Zinc Finish Grade 8 Finished Hex Nut
7	1	<u>13115</u>	3/8"-16x3" Zinc Fin SAE <u>J429</u> Gr5 Cap Screw
8	2	33859	3/8" Yel Zinc Fin USS Thru-Hard Flat Washer
9	4	X032	Spacer
10	1	<u>33893</u>	3/8"Yel Zinc Fin Hi Alloy Med Split Lock Washer
11	1	<u>36306</u>	3/8"-16 Zinc Finish Grade 5 Finished Hex Nut
12	4	<u>13109</u>	3/8"-16x1-1/2"Zinc Fin SAE <u>J429</u> G5 Cap Screw
13	2	480CO103	Chop off
14	2	<u>480CO104</u>	Stationary chop off
15	2	<u>660884</u>	Chop cylinder
16	2	<u>480CO115</u>	Top link with key
17	2	<u>480CO109</u>	Top link without key
18	1	<u>480CO116L</u>	Left bottom link with key
19	1	<u>480CO116R</u>	Right bottom link with key
20	2	<u>480CO108</u>	Bottom link without key
21	8	<u>17371</u>	3/4-16X4 1/2 Zinc Fin SAE <u>J429</u> Gr5 Cap Screw
22	2	<u>13369</u>	3/4"-10 x 4" Zinc Fin SAE <u>J429</u> Gr5 Cap Screw
23	18	33820	SAE 3/4 WASHER
24	32	<u>GM1216-016</u>	Bushing
25	2	<u>13371</u>	3/4-10X4 1/2 Zinc Fin SAE <u>J429</u> Gr5 Cap Screw
26	8	<u>37314</u>	Top LK 3/4-16 GR C
27	6	<u>MRG1608</u>	Rubber bumper
28	2	<u>480CO102</u>	Top pivot plate
29	2	<u>480CO200</u>	Bottom pivot plate
30	2	<u>480CO105</u>	Hinge pin
31	2	<u>480CO101 (420)</u>	Blade holder
31	2	<u>480CO107 (480)</u>	Blade holder
32	16	15105	3/8-16 x 1 Gr8 8 Yellow Zinc Fin Cap Screw
33	32	33859	3/8" Yellow Zinc Finish Flat Washer
34	16	<u>33622</u>	3/8" Zinc Finish Medium Split Lock Washer
35	16	<u>36306</u>	3/8"-16 Zinc Finish Grade 5 Finished Hex Nut
36	2	<u>420CO210 (420)</u>	Blade extension
36	1	<u>420CO211 (420)</u>	Blade extension, solid head
36	2	<u>480CO210 (480)</u>	Blade extension
36	1	<u>480CO211 (480)</u>	Blade extension, solid head
37	2	See Page 7.6	Chop-Off Blades
38	8	BUN100	Polystrap Bungee
39	16	<u>0125805</u>	Spring Washer
40	4	<u>37274</u>	3/4"-10 Grade C Zinc Finish Steel Top Lock Nut



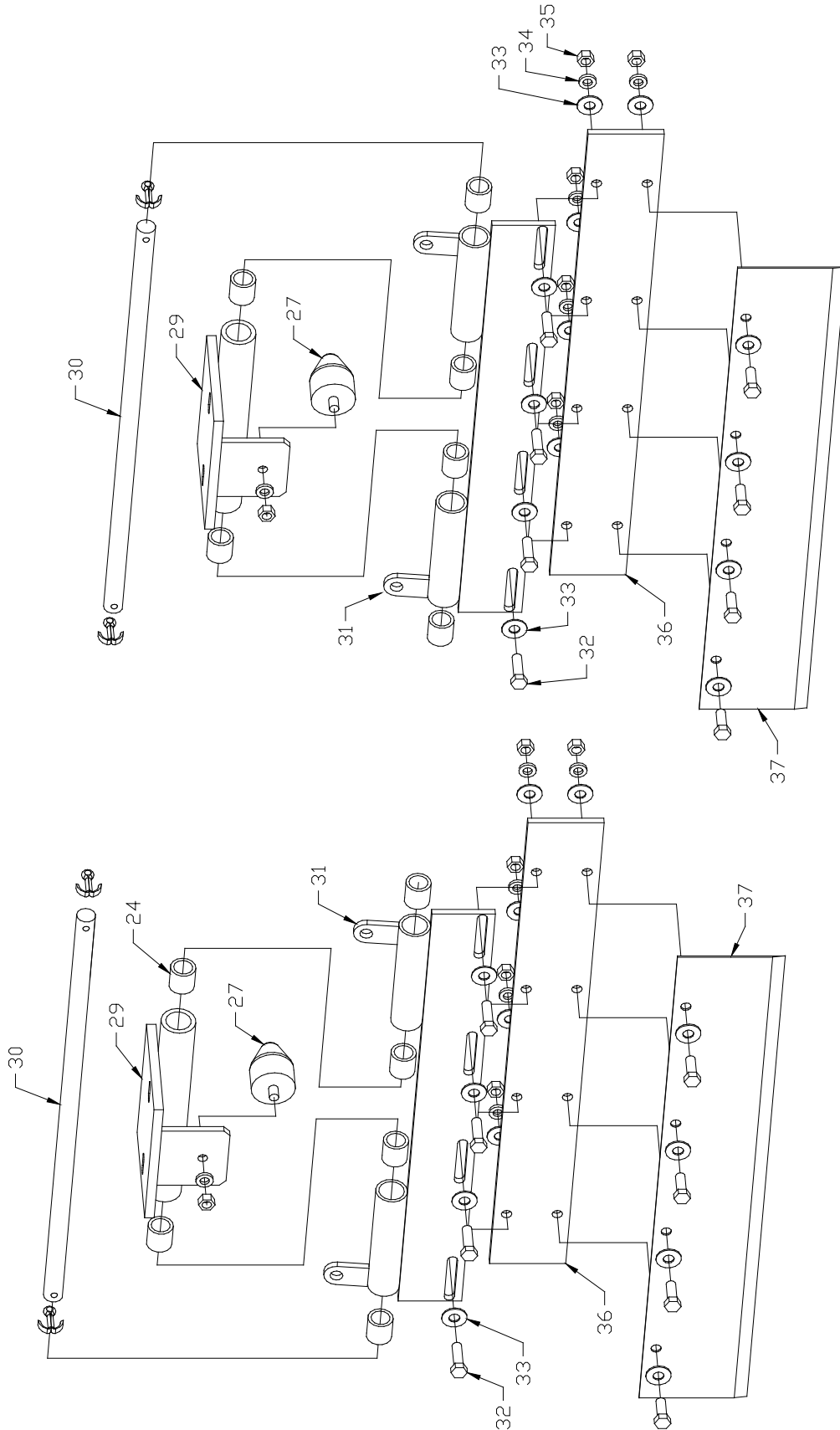
# CHOP OFFS



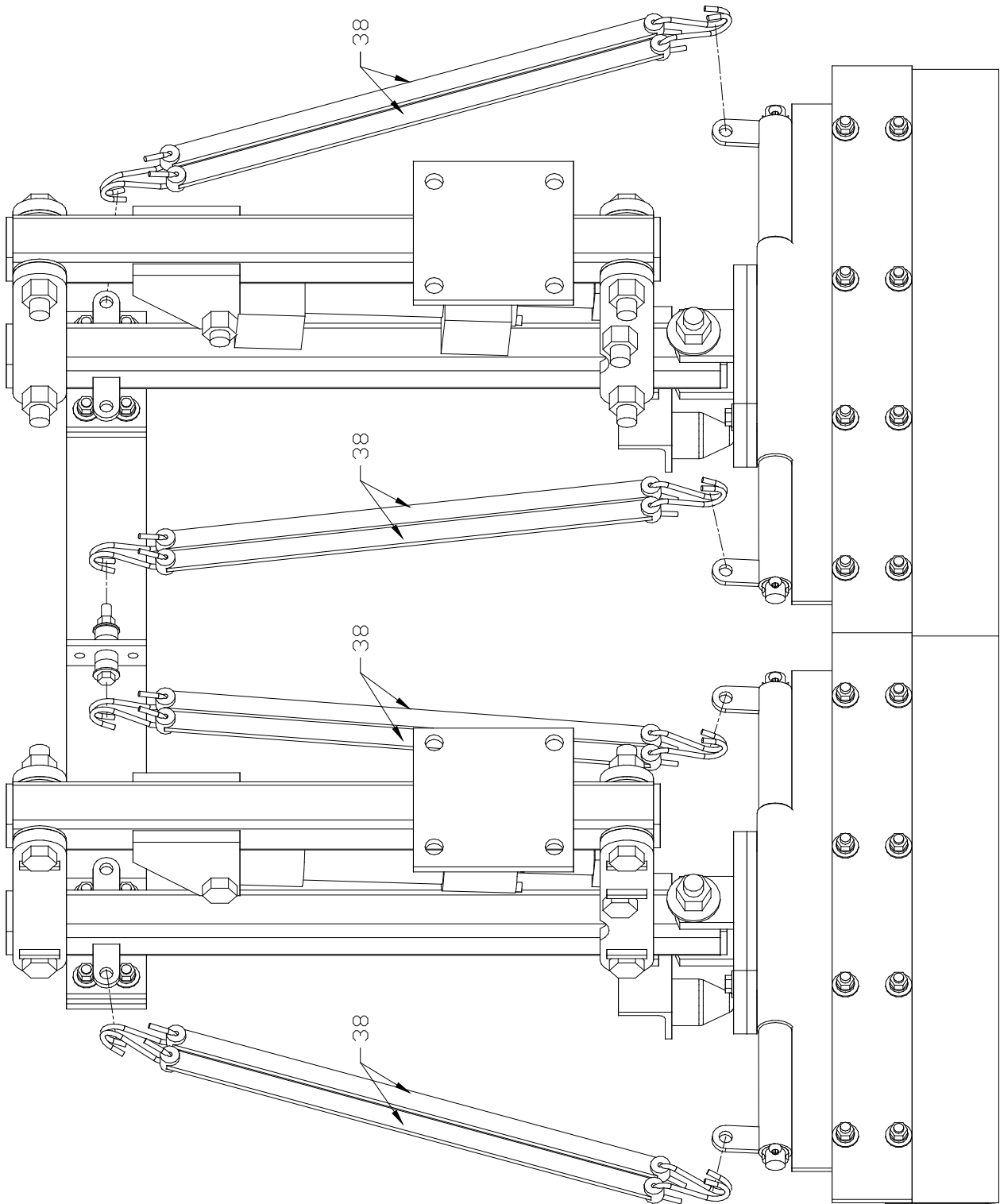
# CHOP OFFS



# CHOP OFFS

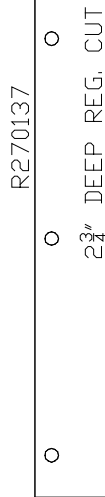
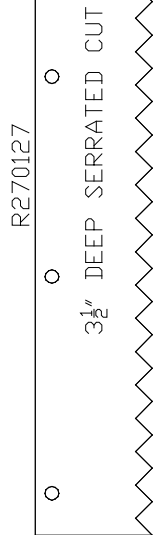
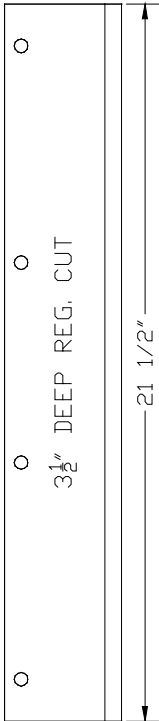


# CHOP OFFS

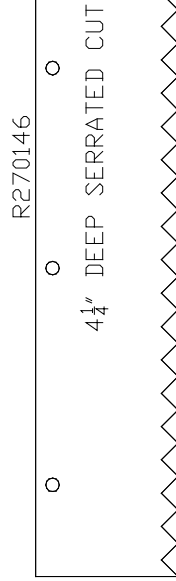
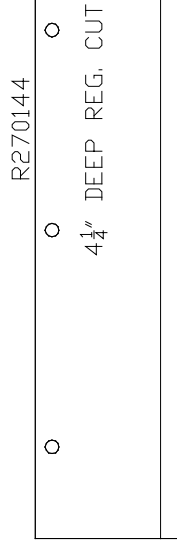
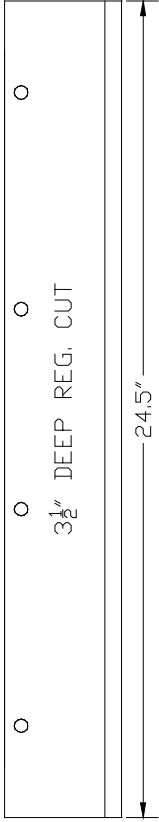


# CHOP OFFS

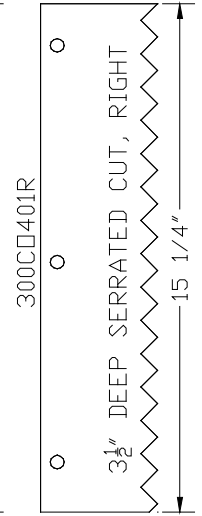
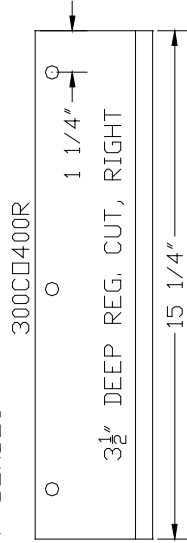
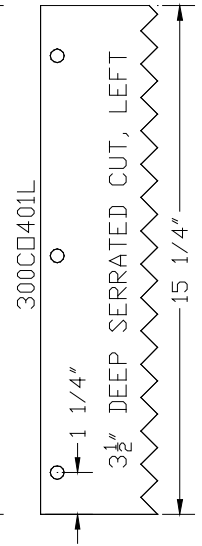
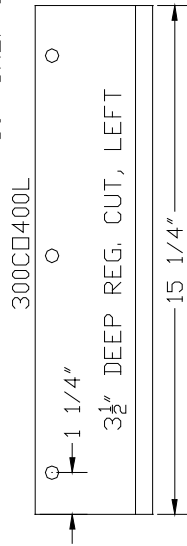
42" CHOP OFF BLADES  
R270126



48" CHOP OFF BLADES  
R270132



30" CHOP OFF BLADES





## NET DISPENSER

### Parts List

ITEM	QTY	PART NUMBER	DESCRIPTION
1	1	NC200	Net dispenser frame
2	1	NC130	Net shield
3	1	NC132	Skirt board
4	1	NC131	Clamp strip
5	3	13105	3/8"-16x1" Zinc Fin SAE J429 Gr5 Hex Cap Screw
6	6	33859	3/8" Yel Zinc Finish USS Thru-Hard Flat Washer
7	3	33893	3/8" Yel Zinc Fin High Alloy Med Split Lock Washer
8	3	36306	3/8"-16 Zinc Finish Grade 5 Finished Hex Nut
9	9	13005	1/4"-20 x 1" Grade 5 Zinc Finish Hex Cap Screw
10	18	33004	1/4" Zinc Finish USS Flat Washer
11	9	33891	1/4" Zinc Finish High Alloy Split Lock Washer
12	9	136302	1/4"-20 Zinc Finish Grade 5 Finished Hex Nut
13	6	FL100	Flange bearing
14	1	NC110	Net drive shaft
15	1	NC400-2	Rubber hose
16	1	50BS26HT1	Driven sprocket
17	1	NC114SK30	Drive sprocket, clutch & sprag shaft assembly
18	1	NC107	Motor spacer
19	1	151-3442-X	Hydraulic motor
20	4	33894	7/16" Yel Zinc Fin High Alloy Med Split Lock Washer
21	4	36308	7/16"-14 Zinc Finish Grade 5 Finished Hex Nut
22	4	13105	3/8"-16 x 1" Zinc Fin SAE J429 Gr 5 Hex Cap Screw
23	1	1 1/2inKEYSTOCK	1/4" KEYSTOCK @ 1 1/2" LG
24	1	NC401	Roller chain
25	1	NC109	Net idler shaft
26	2	NC106	Over-center handle
27	1	NC105L	LEFT Over-center link
28	2	703X400	Spring
29	2	NC122	Net spring bolt
30	4	36306	3/8"-16 Zinc Finish Grade 5 Finished Hex Nut
31	4	33859	3/8" Yellow Zinc Finish USS Thru-Hard Flat Washer
32	4	37266	7/16"-14 Grade C Zinc Finish Steel Top Lock Nut
33	2	13107	3/8"-16x1-1/4" Zinc Fin SAE J429 Gr 5 Cap Screw
34	2	13161	7/16"-14 x 2" Grade 5 Zinc Finish Hex Cap Screw
35	2	13161	7/16"-14 x 2" Grade 5 Zinc Finish Hex Cap Screw
36	12	33859	3/8" Yellow Zinc Finish USS Thru-Hard Flat Washer
37	8	33816	7/16" Yel Zinc Finish SAE Thru-Hard Flat Washer
38	4	36308	7/16"-14 Zinc Finish Grade 5 Finished Hex Nut
39	4	33894	7/16" Yel Zinc Fin High Alloy Med Split Lock Washer
40	4	13159	7/16"-14x1-1/2" Grade 5 Zinc Finish Hex Cap Screw
41	1	NC115	Net slitter shaft
42	1	NC145	Net slitter guard
43	1	NC116	Net slitter blade
44	1	NC140	Backlash brake
45	1	NC120	Cam
46	2	Y40L	Follower roller



## NET DISPENSER

<b>Parts List</b>			
<b>ITEM</b>	<b>QTY</b>	<b>PART NUMBER</b>	<b>DESCRIPTION</b>
47	1	<u>13110</u>	3/8"-16 x 1-3/4" Grade 5 Zinc Finish Hex Cap Screw
48	4	<u>33859</u>	3/8" Yel Zinc Finish USS Thru-Harden Flat Washer
49			
50	1	<u>37212</u>	3/8"-16 Zinc Finish Grade 5 Finished Rev Lock Nut
51	1	<u>37024</u>	3/8"-16 Gr 2 Zinc Fin NE Steel Nylon Insert Lock Nut
52	2	<u>33859</u>	3/8" Yel Zinc Finish USS Thru-Harden Flat Washer
53	1	<u>37212</u>	3/8"-16 Zinc Finish Grade 5 Finished Rev Lock Nut
54	1	<u>13107</u>	3/8"-16x1-1/4" Zinc Fin SAE <u>J429</u> Gr 5 Cap Screw
55	1	<u>NC108</u>	Knife
56	4	<u>36306</u>	3/8"-16 Zinc Finish Grade 5 Finished Hex Nut
57	4	<u>13107</u>	3/8"-16x1-1/4" Zinc Fin SAE <u>J429</u> Gr 5 Cap Screw
58	2	<u>F2BSC012</u>	Flange bearing
59	1	<u>420NC118 (300/420)</u> <u>480NC118 (480)</u>	Brake arm extension
60	1	<u>NC112</u>	Brake arm
61	1	<u>NC113</u>	Brake arm tab
62	1	<u>703X400</u>	Spring
63	2	<u>875X091</u>	Spring
64	1	<u>33817</u>	1/2"x1.062" Thru-Hard Yel Zinc Fin SAE Flat Washer
65	1	<u>45288</u>	1/8" x 1 15/16" Zinc Finish Spring Cotter Pin
66	2	<u>0118797</u>	5/16"-24x1-1/4" Gr 5 Zinc Finish Hex Cap Screw
67	2	<u>33892</u>	5/16" Yel Zinc Fin High Alloy Med Split Lock Washer
68	2	<u>1136454</u>	5/16"-24 Zinc Finish Grade 5 Finished Hex Nut
69	1	<u>13214</u>	1/2"-13x2-3/4" Zinc Fin SAE <u>J429</u> Gr 5 Cap Screw
70	1	<u>33817</u>	1/2"x1.062" Thru-Hard Yel Zinc Fin SAE Flat Washer
71	1	<u>EF8-12-08</u>	Bushing
72	1	<u>EF8-12-08</u>	Bushing
73	1	<u>37268</u>	1/2"-13 Zinc Plated Hex Top Lock Nut
74	1	<u>33817</u>	1/2"x1.062" Thru-Hard Yel Zinc Fin SAE Flat Washer
75	1	<u>13110</u>	3/8"-16 x 1-3/4" Grade 5 Zinc Finish Hex Cap Screw
76	1	<u>33893</u>	3/8" Yel Zinc Fin High Alloy Med Split Lock Washer
77	1	<u>37212</u>	3/8"-16 Zinc Finish Grade 5 Finished Rev Lock Nut
78	2	<u>13109</u>	3/8"-16x1-1/2" Zinc Fin SAE <u>J429</u> Gr 5 Cap Screw
79	4	<u>33859</u>	3/8" Yel Zinc Fin USS Thru-Hardened Flat Washer
80	2	<u>37212</u>	3/8"-16 Zinc Finish Grade 5 Finished Rev Lock Nut
81	1	<u>420NC300</u>	Net cone (for 3 in. tube)
82	1	<u>NC123</u>	Net bar
83	1	<u>420NC315</u>	Net brake extension
84	1	<u>420NC310</u>	Net clamp (for 3 in. tube)
85	2	<u>13207</u>	1/2"x1.1/4" Gr 5 Cap Screw
86	1	<u>420NC410</u>	Net clamp (for 4 in. tube)
87	1	<u>420NC400</u>	Net cone (for 4 in. tube)
88	1	<u>300NC316</u>	Net cone for <u>300SR</u>
89	1	<u>34316</u>	Split collar
90	6	<u>420MF158</u>	Net Bar Wear Pad
91	6	<u>24225</u>	Flat Head Socket Cap Screw w/ Lock washer & Nut



## NET DISPENCER

### Parts List

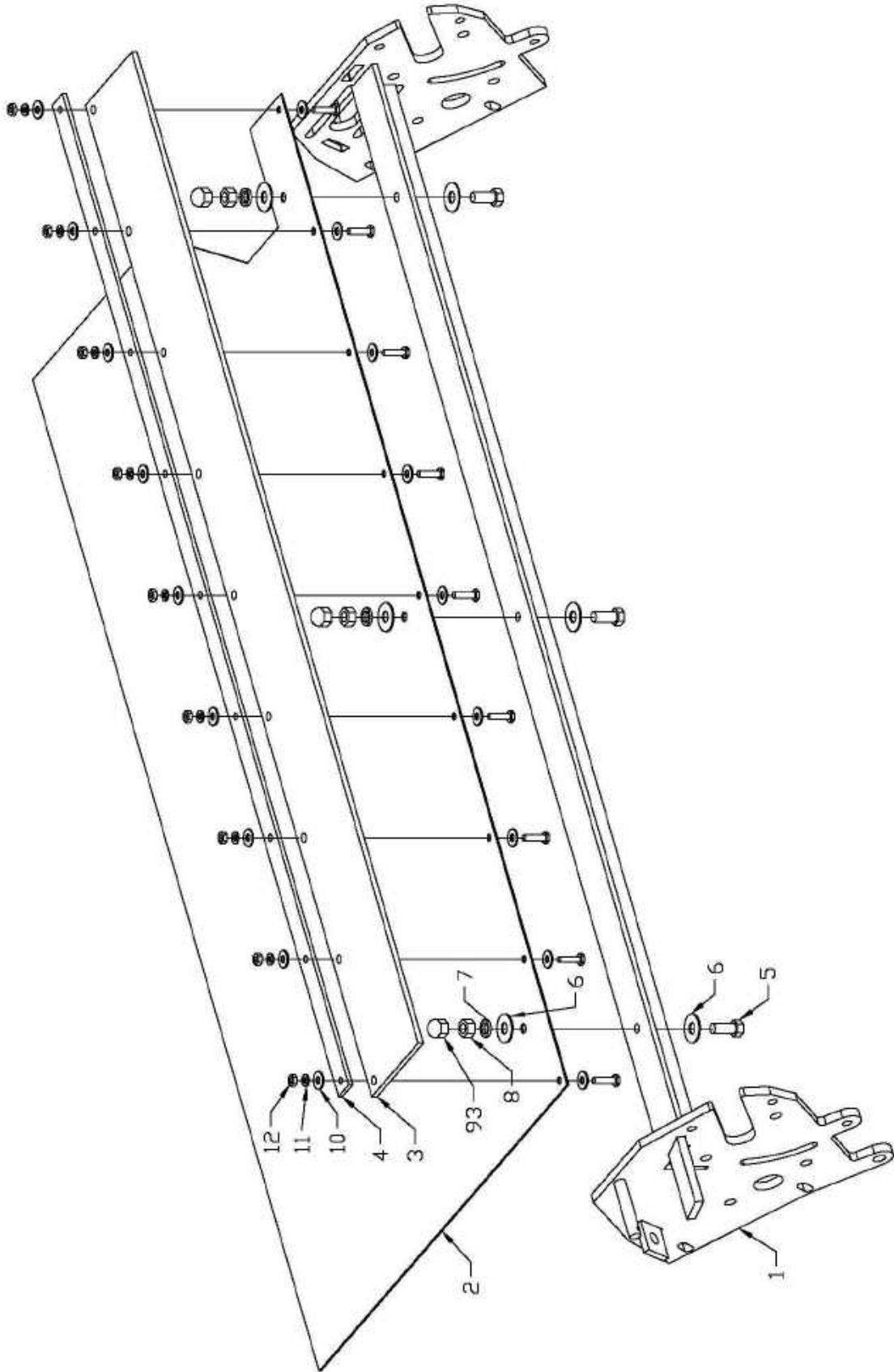
92	1	<u>50-1SC</u>	Drive Chain Master Link
93	5	<u>37710</u>	3/8 – 16 CAP NUTS
94	1	<u>NC105R</u>	RIGHT Over-center link

### Repair Kits & Assemblies

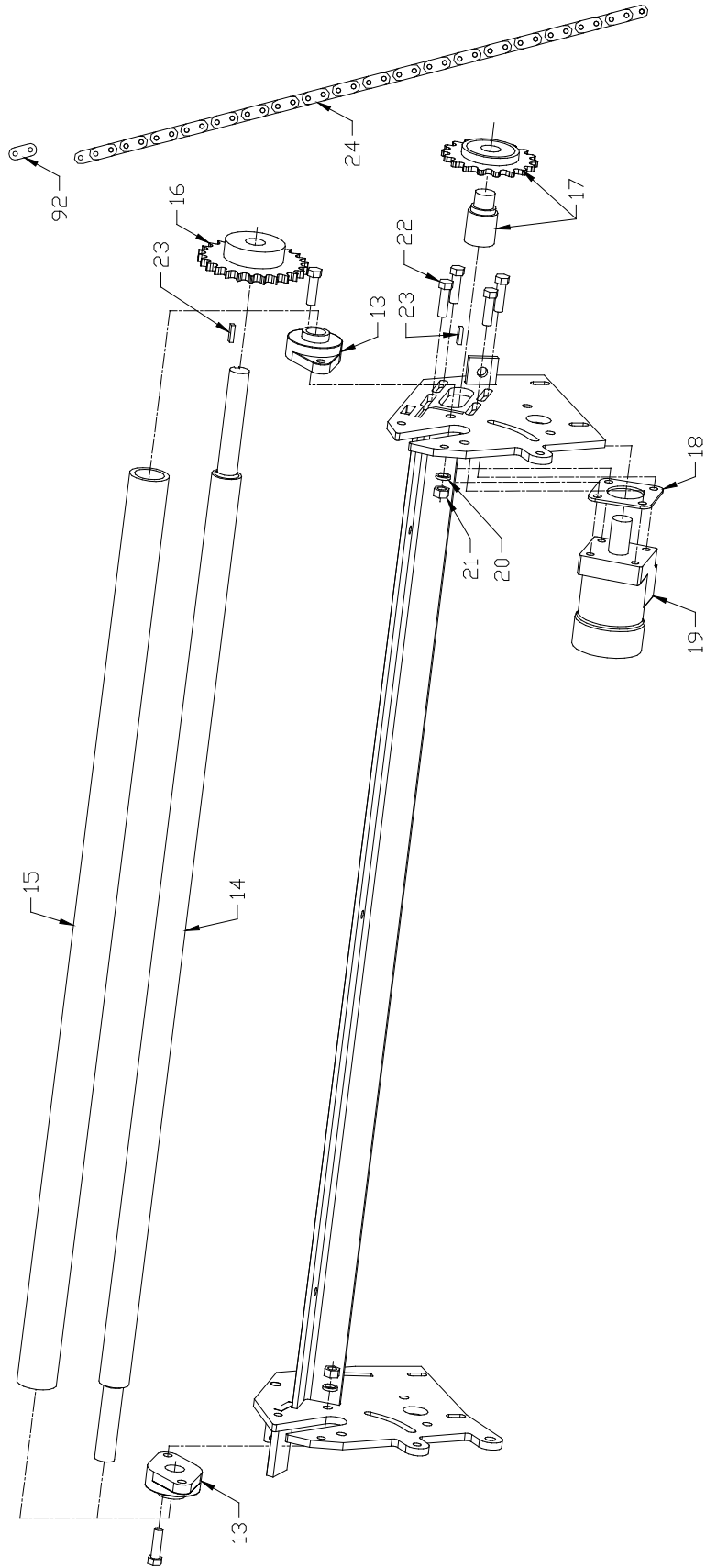
	1	<u>11188319</u>	Seal kit for 151-3442-X net feed motor
	1	<u>NC900-30</u> NC900-42 NC900-48	Net Injection Assembly, 30" Net Injection Assembly, 42" Net Injection Assembly, 48"
	1	<u>NC901</u>	Netting Cam Assembly
	1	<u>420NC901</u>	Net Dispenser Brake Assembly 30" & 42"
	1	<u>480NC901</u>	Net Dispenser Brake Assembly 48"



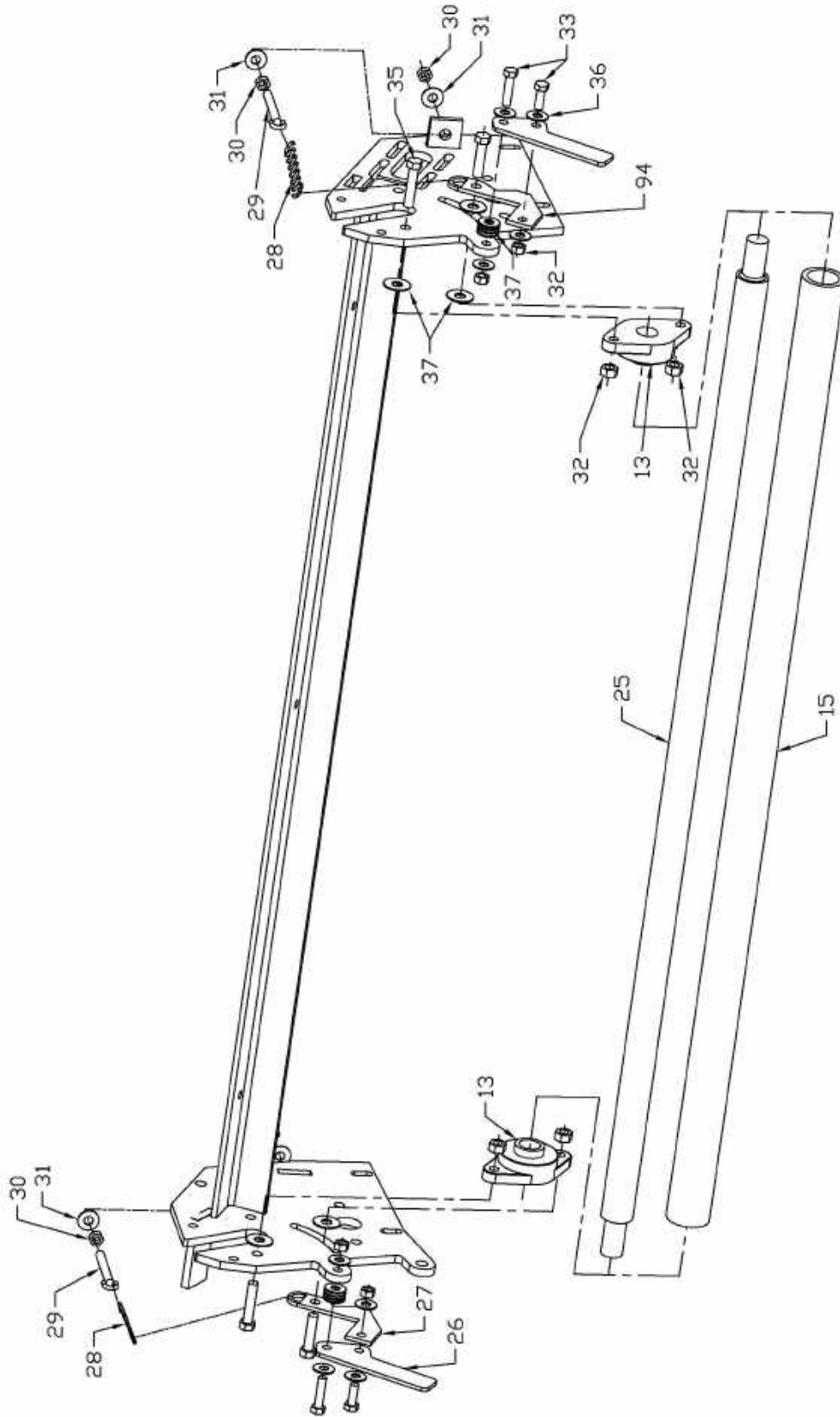
# NET DISPENCER



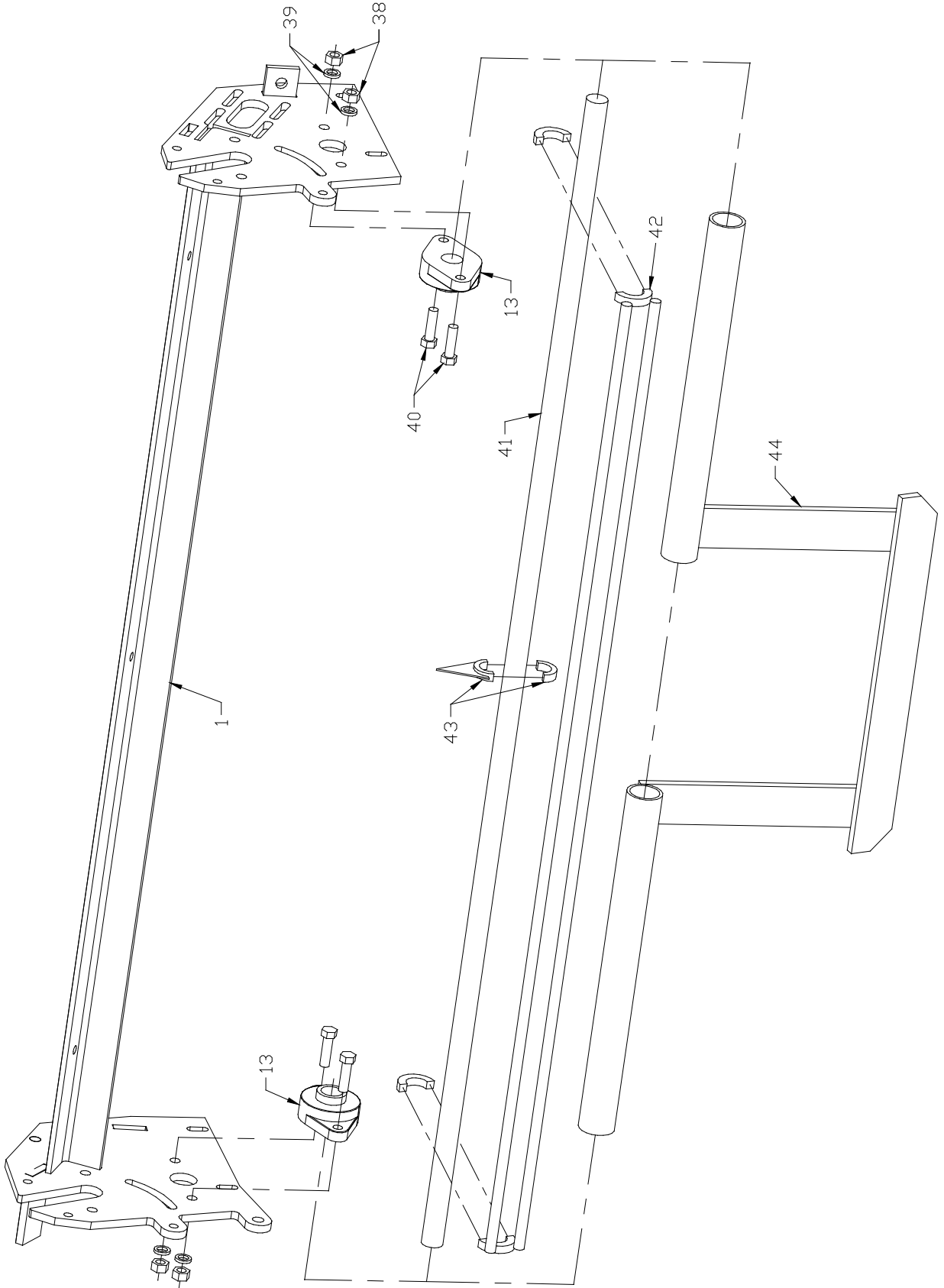
# NET DISPENSER



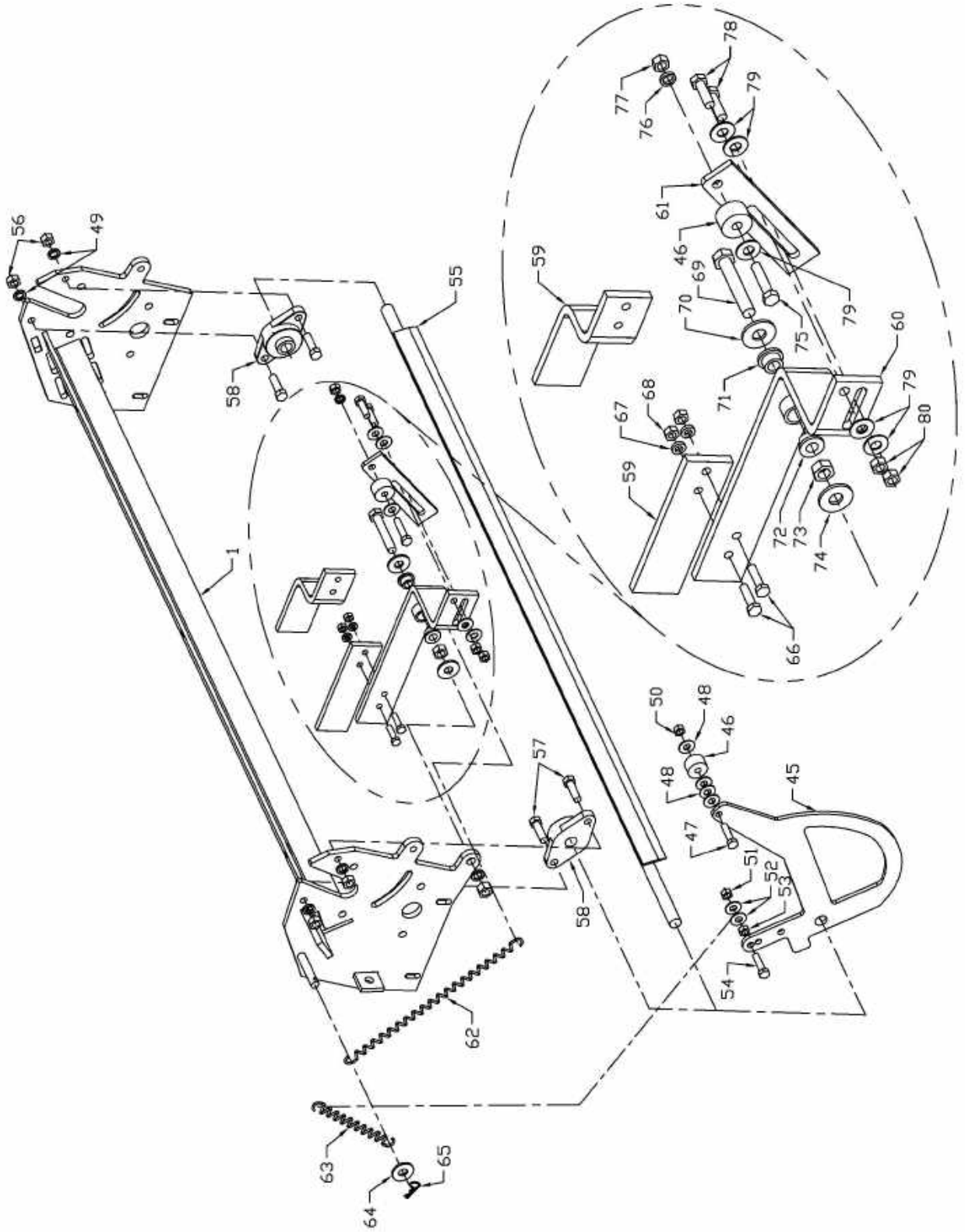
# NET DISPENCER



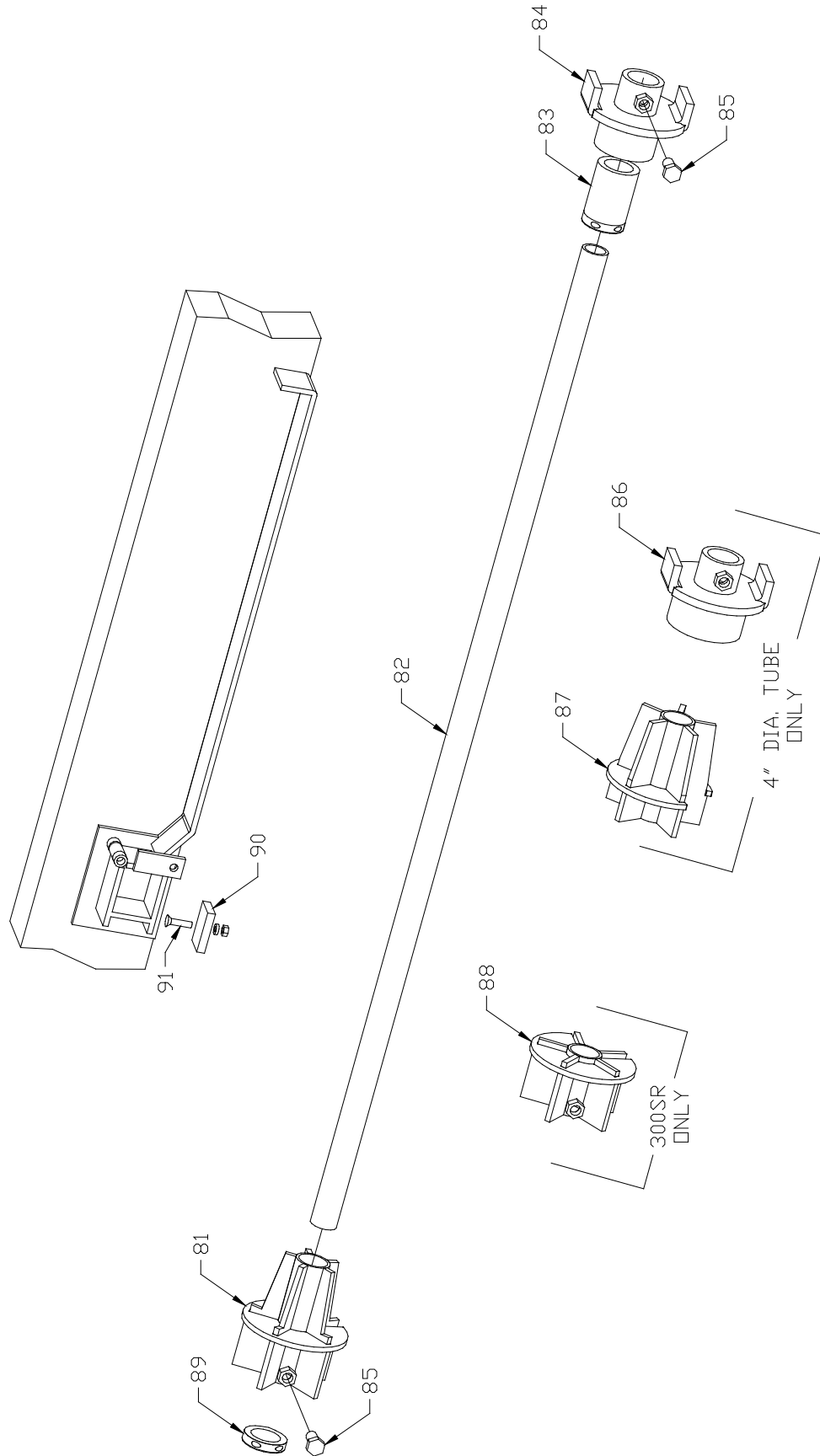
# NET DISPENSER



# NET DISPENCER



# NET DISPENSER

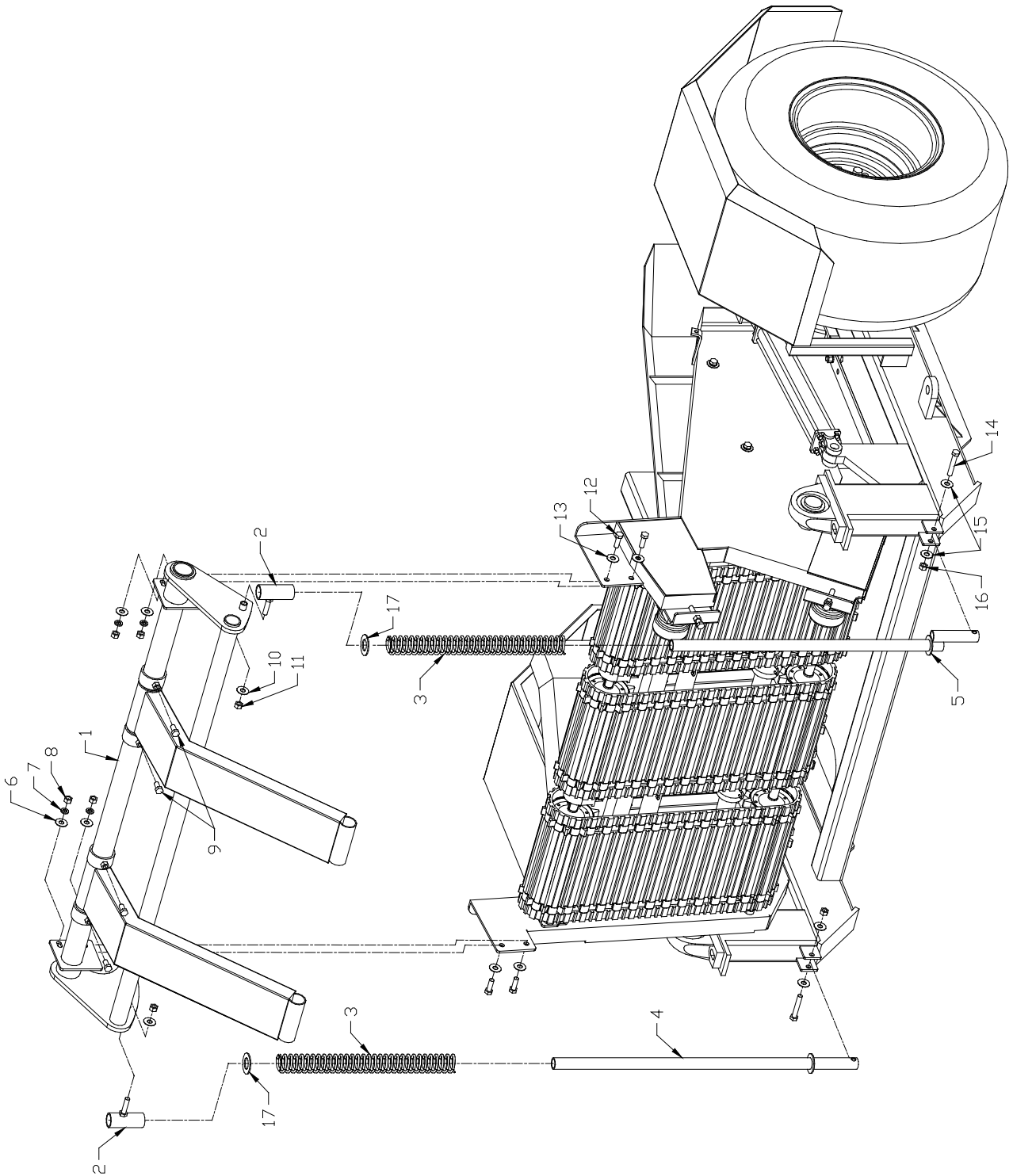




## RAMPS

Parts List			
ITEM	QTY	PART NUMBER	DESCRIPTION
1	1	<u>420RP100</u>	Ramp assembly
2	2	<u>420RP109</u>	Pivot tube
3	2	<u>420RP112</u>	Spring
4	1	<u>420RP111</u>	Spring tube
5	1	<u>420RP110</u>	Spring tube
6	4	<u>33817</u>	1/2"x1.062" Thru-Hard Yel Zinc Fin SAE Flat Washer
7	4	<u>33895</u>	1/2" Yel Zinc Fin High Alloy Med Split Lock Washer
8	4	<u>1136410</u>	1/2"-13 Yellow Zinc Finish Grade 8 Finished Hex Nut
9	4	<u>13205</u>	1/2"-13 x 1" Grade 5 Zinc Finish Hex Cap Screw
10	4	<u>33817</u>	1/2"x1.062" Thru-Hard Yel Zinc Fin SAE Flat Washer
11	2	<u>37268</u>	1/2"-13 Zinc Finish Grade C Top Lock Nut
12	4	<u>13209</u>	1/2"-13x1-1/2" Zinc Fin SAE <u>J429</u> Gr 5 Cap Screw
13	4	<u>33817</u>	1/2"x1.062" Thru-Hard Yel Zinc Fin SAE Flat Washer
14	2	<u>13215</u>	1/2"-13x3" Zinc Fin SAE <u>J429</u> Gr 5 Hex Cap Screw
15	4	<u>33817</u>	1/2"x1.062" Thru-Hard Yel Zinc Fin SAE Flat Washer
16	2	<u>37268</u>	1/2"-13 Zinc Finish Grade C Top Lock Nut
17	2	<u>33100</u>	Machine Washer







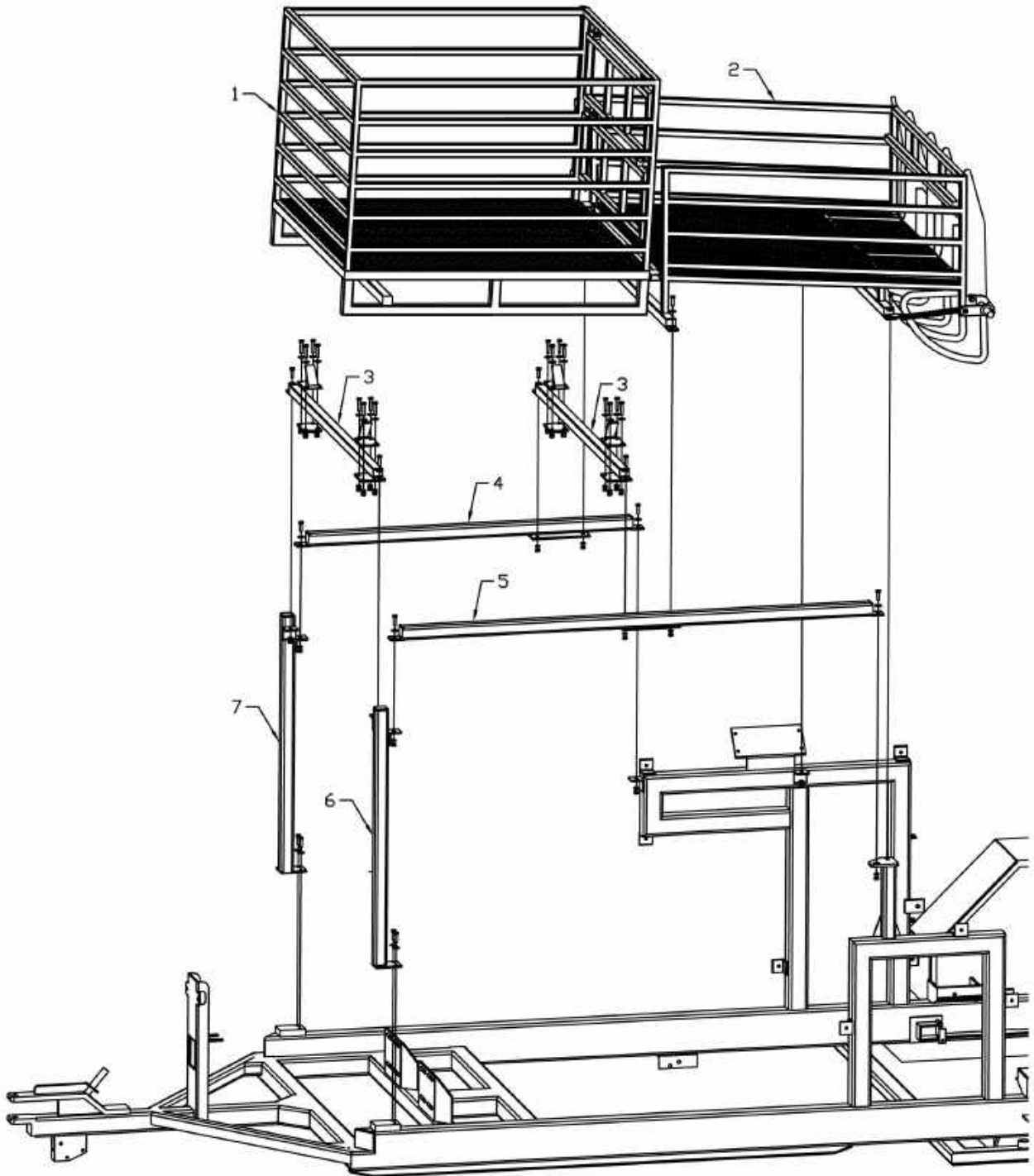
## TUBE RACK

### Parts List

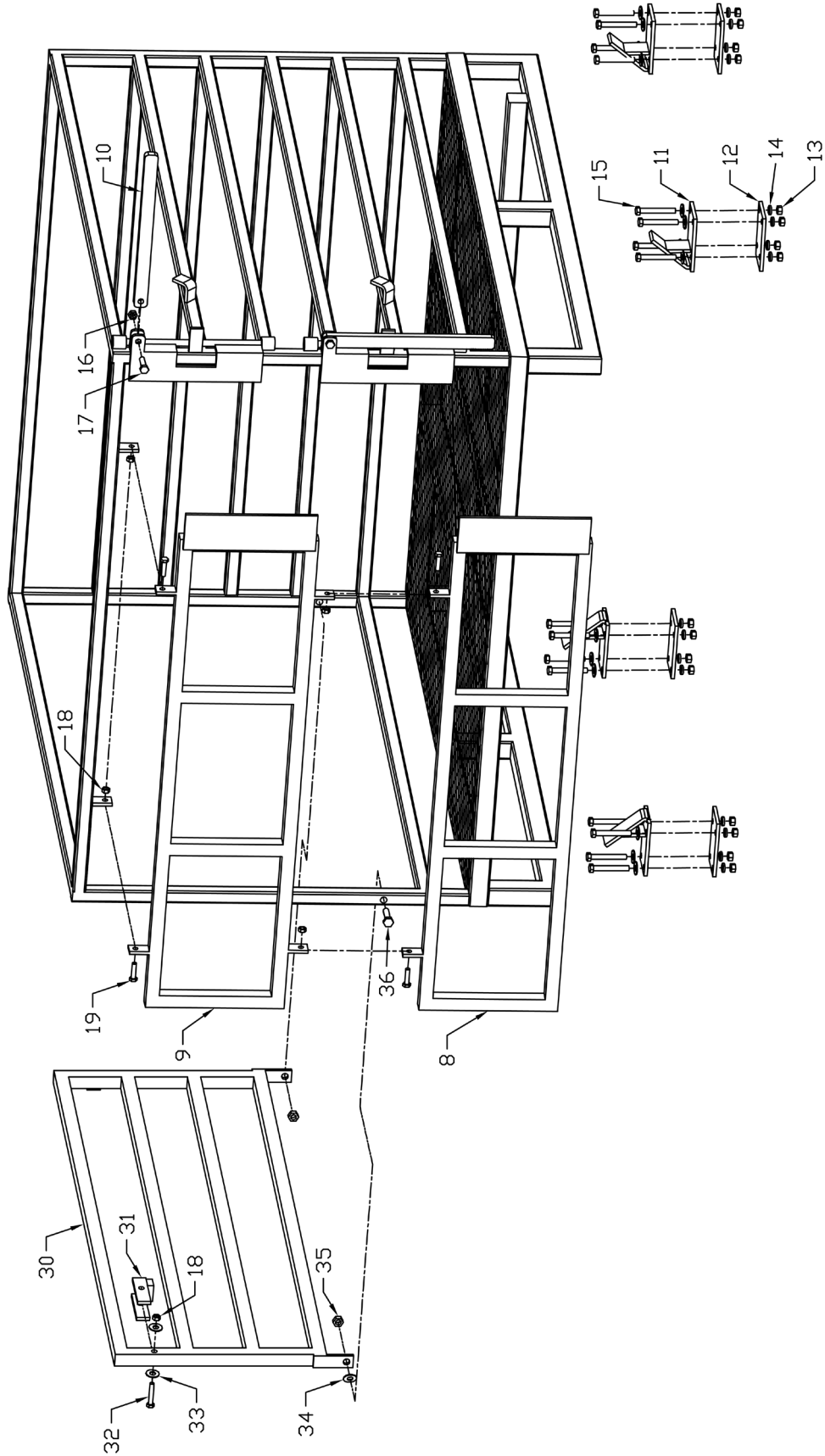
ITEM	QTY	PART NUMBER	DESCRIPTION
1	1	<u>300TR100 (300)</u>	Front tube rack
1	1	<u>420TR100 (420)</u>	Front tube rack
1	1	<u>480TR100 (480)</u>	Front tube rack
2	1	<u>300BR200 (300)</u>	Rear tube rack
2	1	<u>420BR200 (420)</u>	Rear tube rack
2	1	<u>480BR200 (480)</u>	Rear tube rack
3	2	<u>480BR201</u>	Tube rack support
4	1	<u>420MF245</u>	Right side horizontal support
5	1	<u>420MF240</u>	Left side horizontal support
6	1	<u>420MF230</u>	Left side upright support
7	1	<u>420MF235</u>	Right side upright support
8	1	<u>300TR125 (300)</u>	Lower tube gate
8	1	<u>420TR125 (420)</u>	Lower tube gate
8	1	<u>480TR125 (480)</u>	Lower tube gate
9	1	<u>300TR120 (300)</u>	Upper tube gate
9	1	<u>420TR120 (420)</u>	Upper tube gate
9	1	<u>480TR120 (480)</u>	Upper tube gate
10	2	<u>480TR137B</u>	Handle
11	4	<u>480TR140</u>	Rack guide
12	4	<u>480TR141</u>	Rack guide bottom plate
13	16	<u>36304</u>	5/16"-18 Hex Nut
14	16	<u>33892</u>	5/16" Split Lock Washer
15	16	<u>13063</u>	5/16"-18 x 2-1/2" Hex Cap Screw
16	2	<u>37212</u>	3/8"-16 Reverse Lock Nut
17	2	<u>13109</u>	3/8"-16 x 1-1/2" Hex Cap Screw
18	5	<u>37212</u>	3/8"-16 Reverse Lock Nut
19	4	<u>13105</u>	3/8"-16x1" Hex Cap Screw
20	2	<u>480BR223</u>	Spring bracket
21	2	<u>HS100</u>	Spring
22	1	<u>480BR219</u>	Tube feeder
23	2	<u>480BR225</u>	Spring anchor
24	2	<u>FL100</u>	Flange bearing
25	1	<u>480BR226</u>	Handle
26	2	<u>480BR224</u>	Position stop
27	4	<u>13159</u>	7/16"-14 x 1-1/2" Hex Cap Screw
28	4	<u>33894</u>	7/16" Split Lock Washer
29	4	<u>36308</u>	7/16"-14 Hex Nut
30	1	<u>480TR139</u>	Side gate
31	1	<u>480TR142</u>	Side gate latch
32	1	<u>13111</u>	3/8"-16 x 2" Hex Cap Screw
33	2	<u>33815</u>	3/8" SAE Flat Washer
34	1	<u>33816</u>	7/16" SAE Flat Washer
35	2	<u>37266</u>	7/16"-14 Top Lock Nut
36	2	<u>13162</u>	7/16"-14 x 2 1/4" Hex Cap Screw



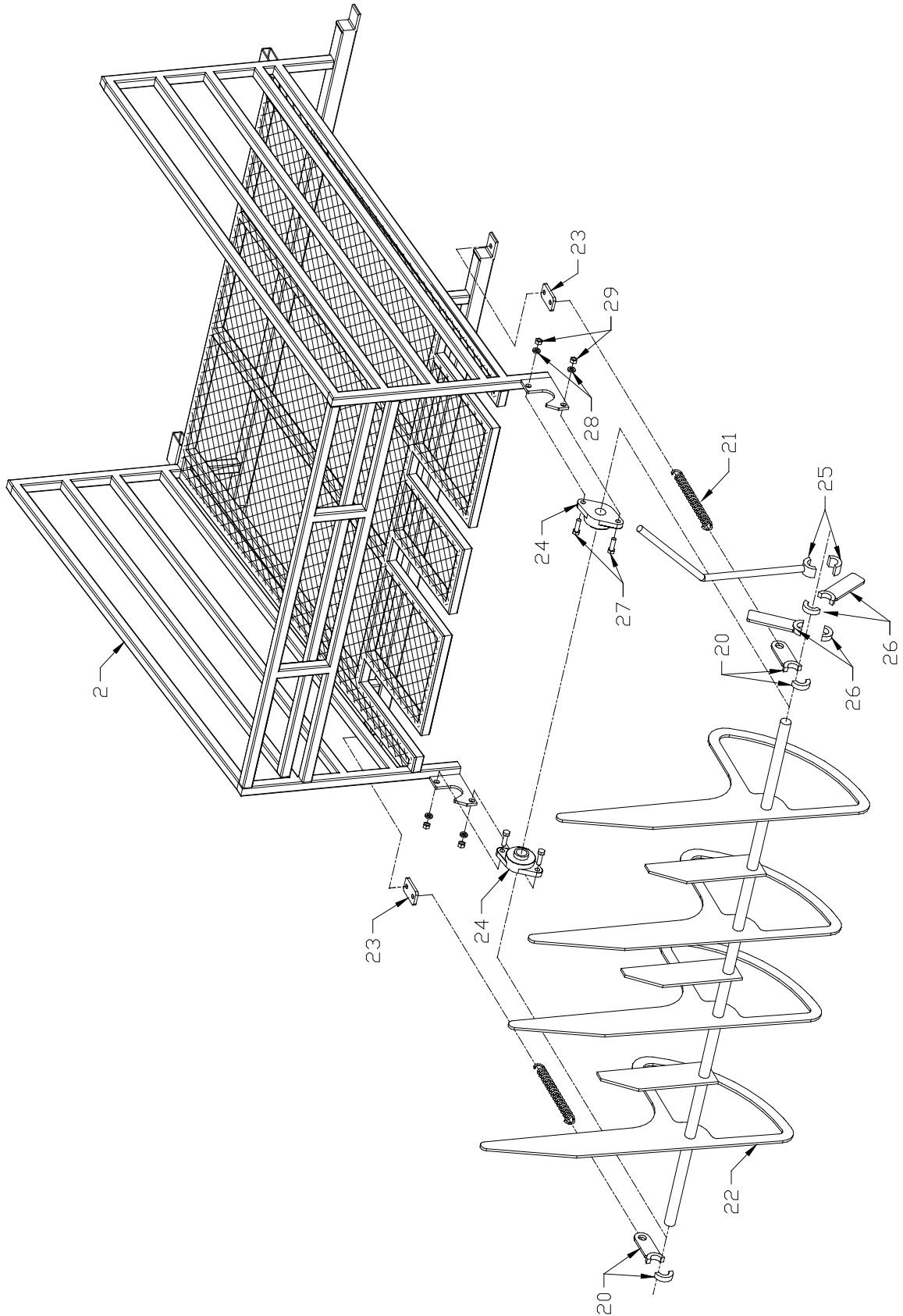
# TUBE RACK



# TUBE RACK



# TUBE RACK



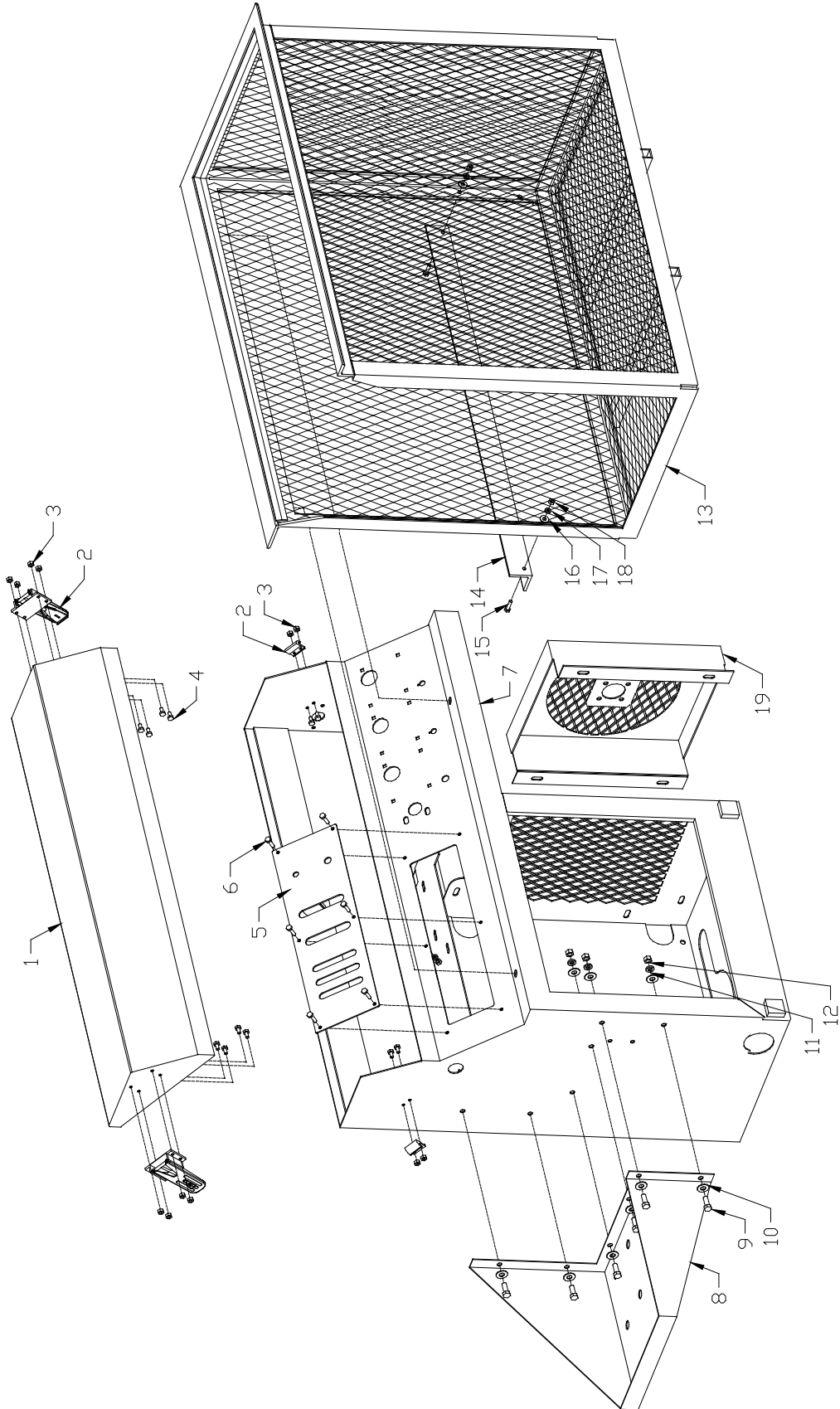


## CONTROL PANEL

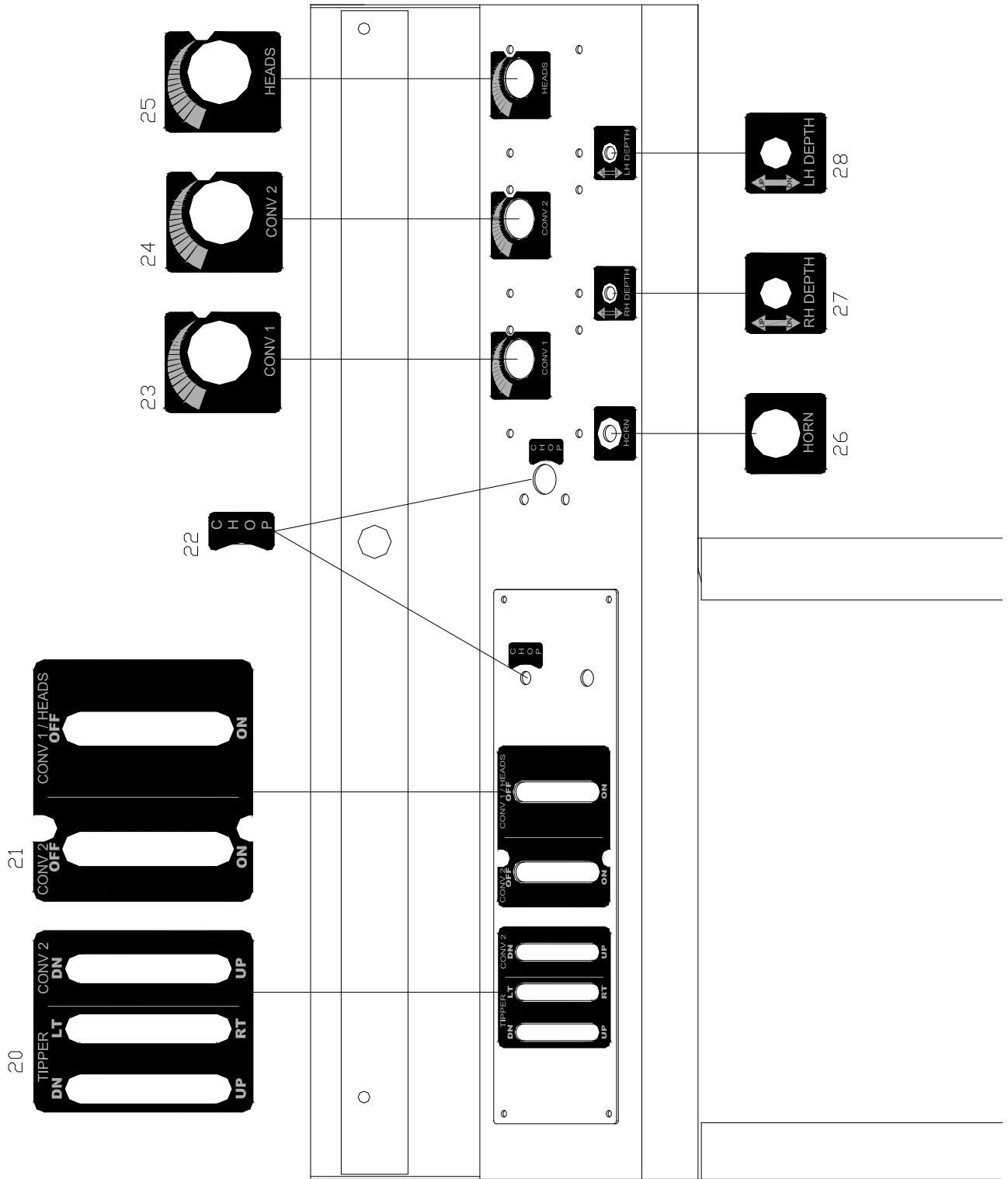
Parts List			
ITEM	QTY	PART NUMBER	DESCRIPTION
1	1	CPB506	Cover
2	2	HC 1046ZN	Latch assembly
3	12	1136028	10-24 Zinc Plated Machine Screw Nut
4	12	1128957	10-24x1/2" Phillips Drive Pan Head Zinc Fin Machine Screw
5	1	CPB507	Hydraulic control cover
6	6	13003	1/4"-20 x 3/4" Grade 5 Zinc Finish Hex Cap Screw
7	1	CPB500	Control panel box
8	1	480TB100	Tool tray
9	6	13005	1/4"-20 x 1" Grade 5 Zinc Finish Hex Cap Screw
10	6	33858	5/16"x0.875" Thru-Hard Yel Zinc Fin USS Flat Washer
11	6	33893	3/8" Yellow Zinc Finish High Alloy Medium Split Lock Washer
12	6	36306	3/8"-16 Zinc Finish Grade 5 Finished Hex Nut
13	1	LB012	Man basket
14	1	420MB001	Angle bracket
15	2	13107	3/8"-16x1-1/4" Zinc Finish SAE J429 Gr 5 Hex Cap Screw
16	2	33858	5/16"x0.875" Thru-Hard Yel Zinc Fin USS Flat Washer
17	2	33893	3/8" Yellow Zinc Finish High Alloy Medium Split Lock Washer
18	2	36306	3/8"-16 Zinc Finish Grade 5 Finished Hex Nut
19	1	420CF100	Fan Shroud
20	1	STKP	Control Panel Decal Tipper/Conv2
21	1	STKQ	Control Panel Decal Conveyor 2/Conv1/Heads
22	2	STKR	Control Panel Decal Chop
23	1	STKS	Control Panel Decal Conveyor 1 Speed
24	1	STKT	Control Panel Decal Conveyor 2 Speed
25	1	STKU	Control Panel Decal Heads Speed
26	1	STKV	Control Panel Decal Horn
27	1	STKW	Control Panel Decal RH Depth
28	1	STKX	Control Panel Decal LH Depth



# CONTROL PANEL



# CONTROL PANEL



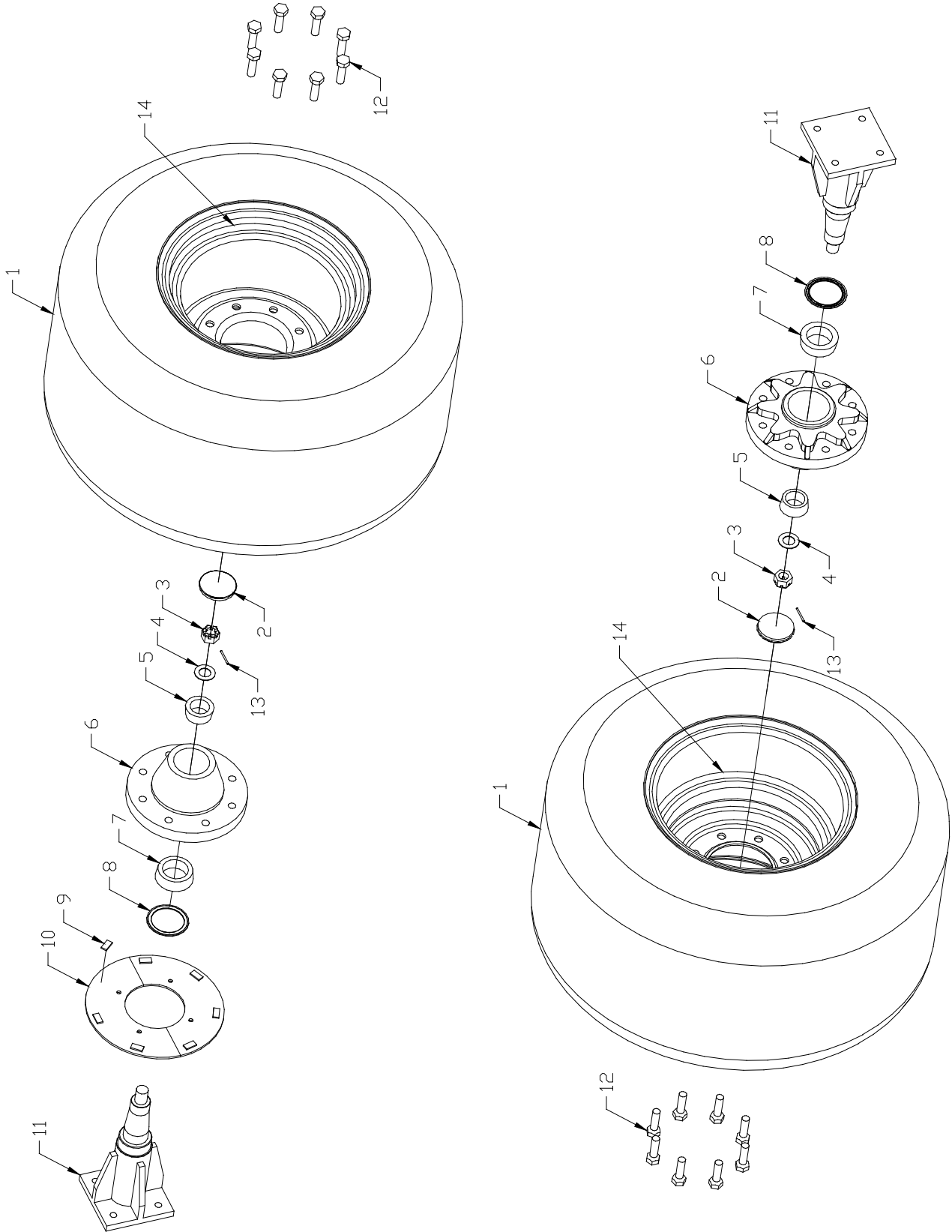


## WHEEL/HUB ASSEMBLY

<b>Parts List</b>			
<b>ITEM</b>	<b>QTY</b>	<b>PART NUMBER</b>	<b>DESCRIPTION</b>
1	2	<u>33X15.50-16.5</u>	Tire
2	2	DU008	Dust cap
3	2	<u>DU007</u>	Spindle nut
4	2	<u>DU006</u>	Washer
5	2	<u>DU003</u>	Outer bearing
6	1	<u>DU004-LH (Left side)</u> <u>DU004-RH (right side)</u>	Hub
7	2	<u>DU005</u>	Inner bearing
8	2	<u>DU002</u>	Seal
9	7	<u>10012</u>	Magnet & rivet
10	1	<u>RW3000-HD</u>	Magnet plate assy.
11	2	<u>W888A-480</u>	Spindle
12	16	<u>58LUG</u>	5/8"lug bolt
13	2	<u>65078</u>	1/8" X 1.5" COTTER PIN
14	2	<u>16.5X12 DC WHEELS</u>	Rim



# WHEEL/HUB ASSEMBLY





## HYDRAULICS

### Parts List

ITEM	QTY	PART NUMBER	DESCRIPTION
1	1	<u>CVA-1417 Kit</u>	Selector valve assembly (includes two relief valves and handles)
2	1	<u>FV-7359-D</u>	Return manifold (includes check valve)
3	1	<u>RV-1378</u>	Reservoir assembly
4	1	<u>H1001-B</u>	Hydraulic increaser
4A	1	<u>HP001-TPSDARSR</u>	Pump
5	1	<u>TF-1530-0-3</u>	Strainer
6	1	<u>HF001</u>	Street elbow
7	1	<u>HF003</u>	Pipe nipple
8	1	<u>HF001</u>	Street elbow
9	1	<u>HF004</u>	Ball valve
10	2	<u>STC-2520</u>	Barb fitting
11	1	<u>HSR-1</u>	Hose assembly
12	1	<u>480HL100</u>	Suction pipe
13	1	<u>2404-16-24</u>	Fitting
14	1	<u>2404-20-24</u>	Fitting
15	1	<u>HSR-8</u>	Hose
16	1	<u>HSR-7</u>	Hose
16A	1	<u>HSR-8</u>	Hose
16B	1	<u>H1-48</u>	Hose
17	1	<u>6801-20-16</u>	Fitting (forged)
18	1	<u>6801-16-16</u>	Fitting (forged)
19	1	<u>6801-12-12</u>	Fitting (forged)
20	1	<u>6801-16-12</u>	Fitting (forged)
21	1	<u>BE-200</u>	Tube
22	1	<u>BE-20</u>	Tube
23	1	<u>HSR-11</u>	Hose assembly
24	1	<u>HSR-10</u>	Hose assembly
25	1	<u>6801-12-12</u>	Fitting (forged)
26	1	<u>2406-10-16</u>	Fitting
27	1	<u>6400-10-10</u>	Fitting
28	1	<u>6400-10-10</u>	Fitting
29	1	<u>HSR-30</u>	Hose
30	1	<u>6500-06-06</u>	Fitting
31	1	<u>GS023120N/0523A/CCP012L</u>	Chop valve actuator
32	1	<u>480CO114</u>	Chop valve actuator knob
33	1	<u>6400-06-06</u>	Fitting
34	1	<u>6600-6</u>	#6 Male JIC X #6 Male JIC X #6 Female JIC Swivel
35	1	<u>6400-06-06</u>	Fitting
36	1	<u>6500-06-06</u>	Fitting (forged)
37	1	<u>6400-06-06</u>	Fitting
38	1	<u>6500-06-06</u>	Fitting (forged)
39	1	<u>HSR-41</u>	Hose assembly
40	1	<u>BE-24</u>	Tube
41	1	<u>HSR-39</u>	Hose assembly
42	4	<u>FG6400-16-16</u>	Fitting (forged)



## HYDRAULICS

### Parts List

ITEM	QTY	PART NUMBER	DESCRIPTION
43	2	<u>660884</u>	Chop cylinder
44	1	<u>6400-16-16</u>	Fitting (forged)
45	1	<u>HSR-9</u>	Hose assembly
46	1	<u>FG2501-16-20</u>	Fitting (forged)
47	1	<u>A13100</u>	Accumulator
48	1	<u>HSR-5</u>	Hose assembly
49	1	<u>RST 4604-16-16 R.250</u>	Fitting (includes 0.025 in. orifice)
50	1	<u>H14516 (300 &amp; 420 ONLY)</u> <u>16MB-16FJ (480 ONLY)</u>	Hose assembly
51	1	<u>FV-7503</u>	Chop valve assembly
52	1	<u>HSR-39</u>	Hose assembly
53	1	<u>BE-24</u>	Tube
54	1	<u>HSR-46</u>	Hose assembly
55	1	<u>6400-10-10</u>	Fitting
56	1	<u>FG6602-10-10-10</u>	Fitting
57	1	<u>2406-10-04</u>	Fitting
58	1	<u>FG6602-06-06-06</u>	Fitting (forged)
59	1	<u>6500-06-06</u>	Fitting (forged)
60	1	<u>HSR-44</u>	Tube
61	1	<u>HSR-35</u>	Hose assembly
62	1	<u>FG2650-06-06-06-06</u>	Fitting (forged)
63	1	<u>6501-06-06</u>	Fitting (forged)
64	1	<u>4503-16-16</u>	Fitting
65	1	<u>FG6801-06-04</u>	Fitting (forged)
66	1	<u>FG6801-06-04</u>	Fitting (forged)
67	1	<u>DS80-X</u> <u>151-2302 (opt. on solid heads)</u> <u>151F2316 (opt. on 30 solid heads)</u>	Hydraulic motor
68	1	<u>6400-10-10</u>	Fitting
69	1	<u>FG6502-10-10</u>	Fitting
70	1	<u>HSR-25</u>	Hose assembly
71	1	<u>BE-D2</u>	Tube assembly
72	1	<u>2504-10-10</u>	Fitting
73	1	<u>HSR-20</u>	Hose assembly
74	1	<u>6202-10-10-10</u>	Fitting
75	1	<u>6400-10-08</u>	Fitting
76	1	<u>RVPP-10-NS-8TA 30110</u>	Cutter head pressure relief valve
77	1	<u>6400-10-08</u>	Fitting
78	1	<u>6202-10-10-10</u>	Fitting
79	1	<u>HSR-19</u>	Hose assembly
80	1	<u>2504-10-10</u>	Fitting
81	1	<u>BE-D2</u>	Hose assembly
82	1	<u>HSR-25</u>	Hose assembly
83	1	<u>FG6502-10-10</u>	Fitting (forged)
84	1	<u>6400-10-10</u>	Fitting
85	1	<u>FV-6975-GJX</u>	Flow control assembly
86	3	<u>6400-10-10</u>	Fitting



## HYDRAULICS

### Parts List

ITEM	QTY	PART NUMBER	DESCRIPTION
87	1	<u>HSR-29</u>	Hose assembly
88	1	<u>6500-10-10</u>	Fitting (forged)
89	1	<u>6202-10-10-10</u>	Fitting
90	1	<u>6400-10-08</u>	Fitting
91	1	<u>6400-10-10</u>	Fitting
92	1	<u>HSR-23</u>	Hose assembly
93	1	<u>HSR16</u>	Hose assembly
94	1	<u>HSR-15</u>	Hose assembly
95	1	<u>6400-10-10</u>	Fitting
96	1	<u>FV-6975-GJX</u>	Flow control assembly
97	1	<u>HSR-14</u>	Hose assembly
98	1	<u>6400-10-10</u>	Fitting
99	1	<u>DS200-X</u>	Hydraulic motor
100	1	<u>1910R</u>	Check valve
101	1	<u>HSR-21</u>	Hose assembly
102	1	<u>6400-10-10</u>	Fitting
103	1	<u>6400-10-10</u>	Fitting
104	1	<u>HSR-24</u>	Hose assembly
105	1	<u>6400-10-10</u>	Fitting
106	1	<u>6400-10-10</u>	Fitting
107	1	<u>VS4BLBF8-ASM</u>	Cross Valve (Netting Feed On/Off) ASSEMBLY
107A	1	<u>VS4BLBF8</u>	Cross Valve (Netting Feed ON/Off)
107B	1	<u>GM15662923</u>	Boot for Net Feed Valve
107C	1	<u>NC124</u>	1" I.D. Plastic Conduit
107D	1	<u>33860</u>	7/16" x 1 1/4" OD Flat Washer
107E	1	<u>36306</u>	3/8"-16 Zinc Finish Grade 5 Finished Hex Nut
107F	1	<u>0115107</u>	3/8" X 1 1/4" - 16 BOLT
108			
109	1	<u>FG6801-10-12</u>	Fitting (forged)
110	1	<u>HSR-12</u>	Hose assembly
111	1	<u>6400-10-10</u>	Fitting
112	1	<u>DS200-X</u>	Hydraulic motor
113	1	<u>6400-10-10</u>	Fitting
114	1	<u>6500-10-10</u>	Fitting (forged)
115	1	<u>HSR-32</u>	Hose assembly
116	1	<u>6500-10-10</u>	Fitting (forged)
117	1	<u>6400-10-10</u>	Fitting
118	1	<u>151F2304</u>	Hydraulic motor
119	1	<u>FV-6975-GJX</u>	Flow control assembly
120	1	<u>FG6801-06-04</u>	Fitting (forged)
121	1	<u>HSR-36</u>	Hose assembly
122	1	<u>2650-06</u>	Fitting (forged)
123	1	<u>6501-06-06</u>	Fitting (forged)
124	1	<u>6400-10-10</u>	Fitting
125	1	<u>6500-10-10</u>	Fitting (forged)



## HYDRAULICS

### Parts List

ITEM	QTY	PART NUMBER	DESCRIPTION
126	1	<u>HSR-17</u>	Hose assembly
127	1	<u>6502-10-10</u>	Fitting (forged)
128	1	<u>2500-10-10</u>	Fitting (forged)
129	1	<u>BE-A1</u>	Tube
130	1	<u>HSR-22</u>	Hose assembly
131	1	<u>6502-10-10</u>	Fitting (forged)
132	3	<u>6400-10-10</u>	Fitting
133			
134	1	<u>6500-10-10</u>	Fitting (forged)
135	1	<u>HSR-31</u>	Hose assembly
136	1	<u>6400-10-08</u>	Fitting
137	1	<u>6502-10-10</u>	Fitting (forged)
138	1	<u>HSR-26</u>	Hose assembly
139	1	<u>6400-06-10</u>	Fitting
140	1	<u>HSR-45</u>	Hose assembly
141	1	<u>PIDC25S</u>	Check valve
<u>141A</u>	2	<u>6505-06-06</u>	Fitting
<u>141B</u>	1	<u>2404-06-04</u>	Fitting
142	1	<u>6602-06-06-06</u>	Fitting (forged)
143	2	<u>6400-06-08</u>	Fitting
144	1	<u>HSR-47</u>	Hose assembly
145	2	<u>BE-B1</u>	Tube
146	1	<u>2403-06-06</u>	Fitting
147	1	<u>6602-06-06-06</u>	Fitting (forged)
148	1	<u>6500-06-06</u>	Fitting (forged)
149	1	<u>HSR-43</u>	Hose assembly
150	1	<u>HSR-40</u>	Hose assembly
151	1	<u>2404-06-06</u>	Fitting
152	1	<u>HSR-38</u>	Hose assembly
153	1	<u>HSR-37</u>	Hose assembly
154	2	<u>022633</u>	Hydraulic cylinder
<u>154A</u>	1	<u>HSR-48</u>	Hose assembly
155	1	<u>HSR-50</u>	Hose assembly
156	1	<u>6400-06-04</u>	Fitting
157	1	<u>1300100</u>	Cooling fan hydraulic motor
<u>157A</u>	1	<u>1300100-F</u>	Cooling fan
<u>157B</u>	1	<u>1300100-FC</u>	Cooling fan torque adapter
158	1	<u>6400-06-10</u>	Fitting
159	1	<u>HSR-34</u>	Hose assembly
160	1	<u>6400-06-10</u>	Fitting
161	1	<u>6400-10-10</u>	Fitting
162	1	<u>HSR-27</u>	Hose assembly
163	1	<u>6400-10-10</u>	Fitting
164	1	<u>6400-06-10</u>	Fitting
165	1	<u>HSR-33</u>	Hose assembly
166	2	<u>6400-06-10</u>	Fitting
167	1	<u>4601-20-20</u>	Fitting



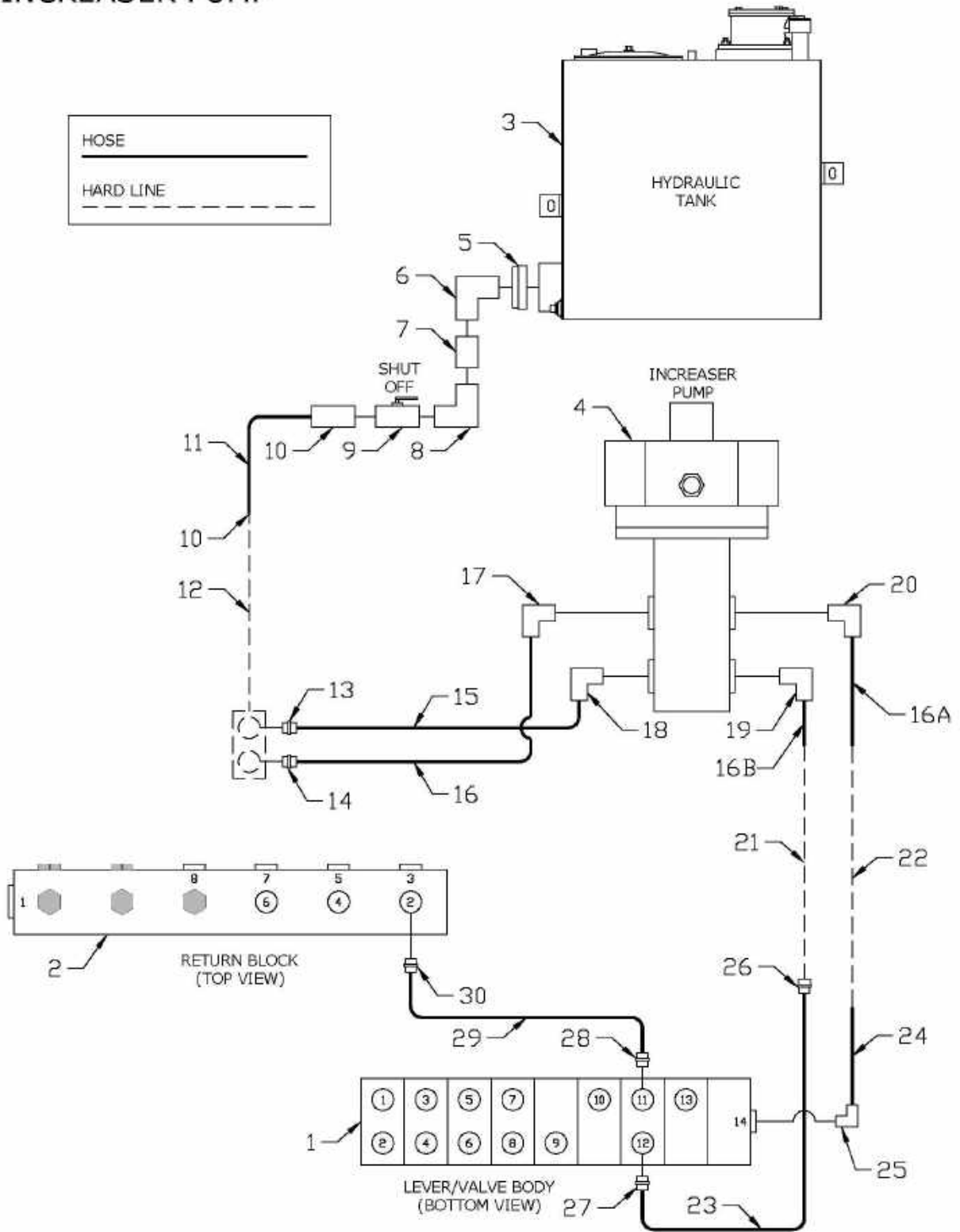
## HYDRAULICS

### Parts List

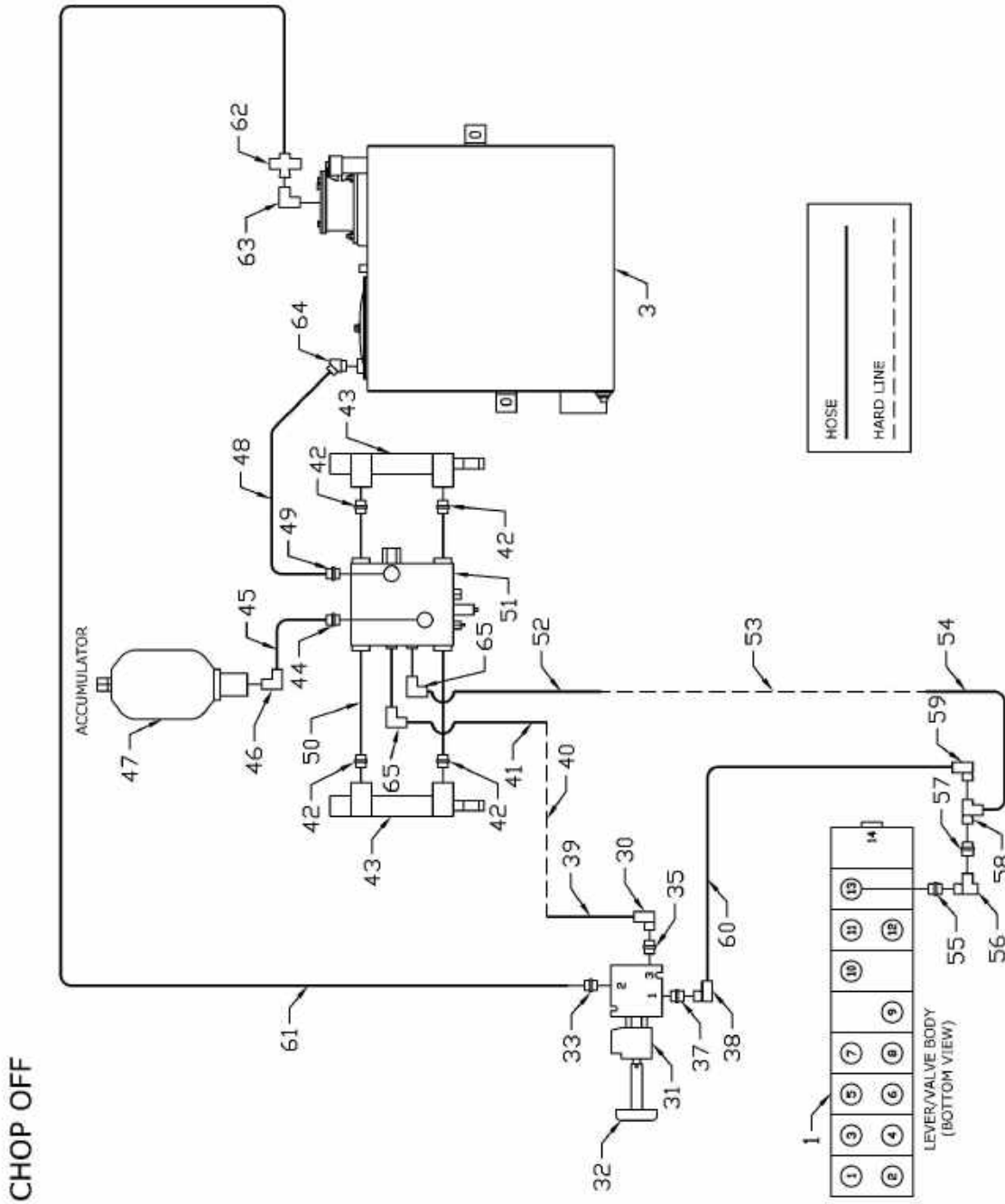
ITEM	QTY	PART NUMBER	DESCRIPTION
168	1	<u>HSR-3</u>	Hose assembly
169	1	<u>4501-20-16</u>	Fitting
170	1	65032-2	Oil cooler
171	1	<u>4501-20-16</u>	Fitting
172	1	<u>HSR-2</u>	Hose assembly
173	1	<u>4503-20-20</u>	Fitting
174	1	<u>4444-20-20</u>	Fitting
175	1	HSR-4	Hose assembly
176	1	4444-20-20	Fitting
177	1	<u>5504-20-20</u>	Fitting (forged)
178	1	<u>5400-N-20-3.0</u>	Pipe
179	1	<u>6400-10-12</u>	Fitting
180	1	<u>6504-10-10</u>	Fitting
181	1	<u>HSR-13</u>	Hose assembly
182	1	<u>6602-10-10-10</u>	Fitting
183	1	<u>2404-10-08</u>	Fitting
184	1	EDC-30S	Check valve
185	1	<u>6505-10-08</u>	Fitting
186	1	<u>6400-10-08</u>	Fitting
187	1	<u>HSR-28</u>	Hose assembly
188	2	<u>6502-10-10</u>	Fitting (forged)
189	1	1910R	Check valve
190	1	<u>151-3442-X</u>	Hydraulic motor
191	1	<u>6400-10-10</u>	Fitting
192	1	<u>6502-10-10</u>	Fitting (forged)
193	1	HSR-18	Hose assembly
194	1	<u>FG6801-10-12</u>	Fitting (forged)
195	1	<u>6801-06-04</u>	Fitting (forged)
196	1	HSR-49	Hose assembly
197	1	<u>6400-06-10</u>	Fitting



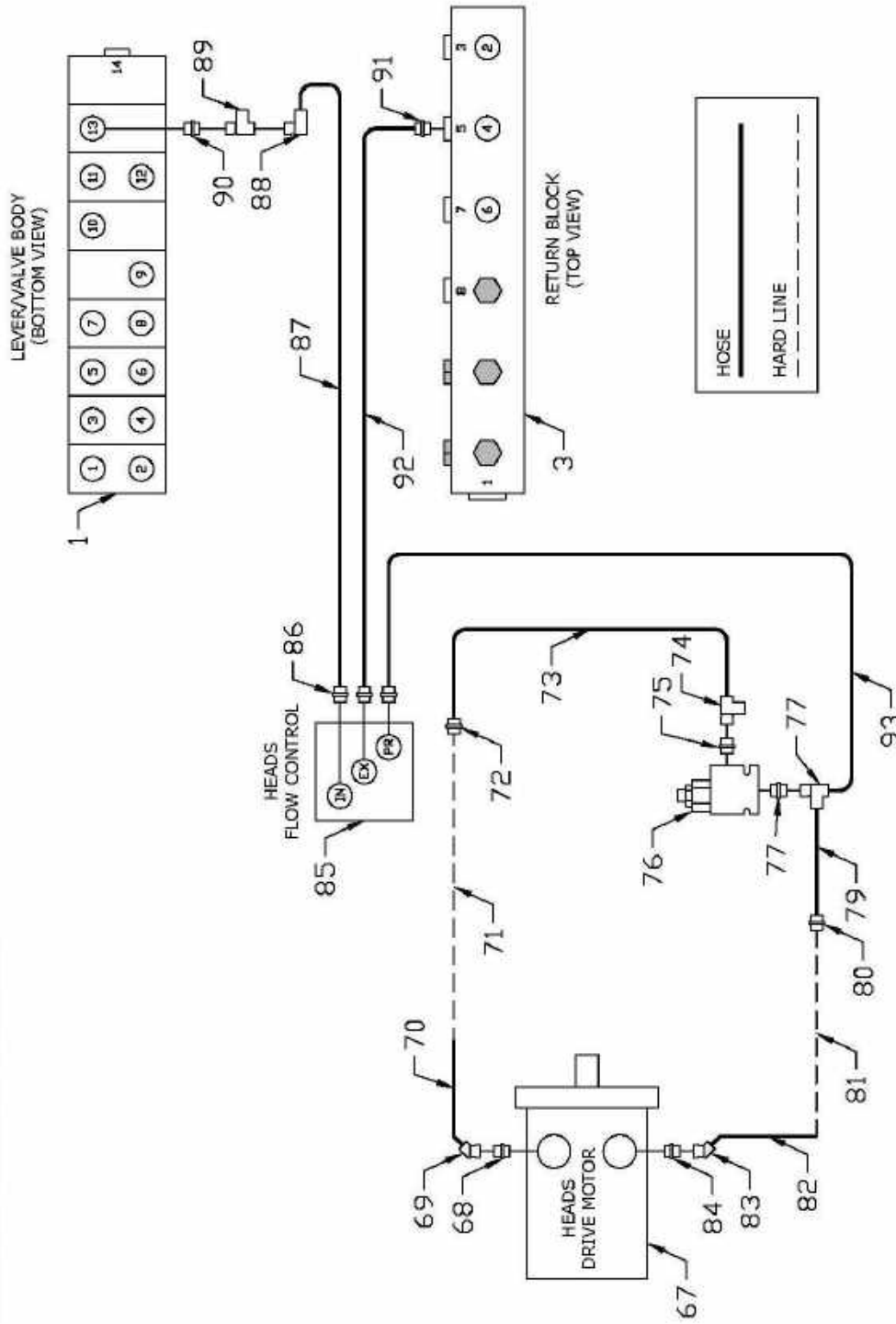
INCREASER PUMP



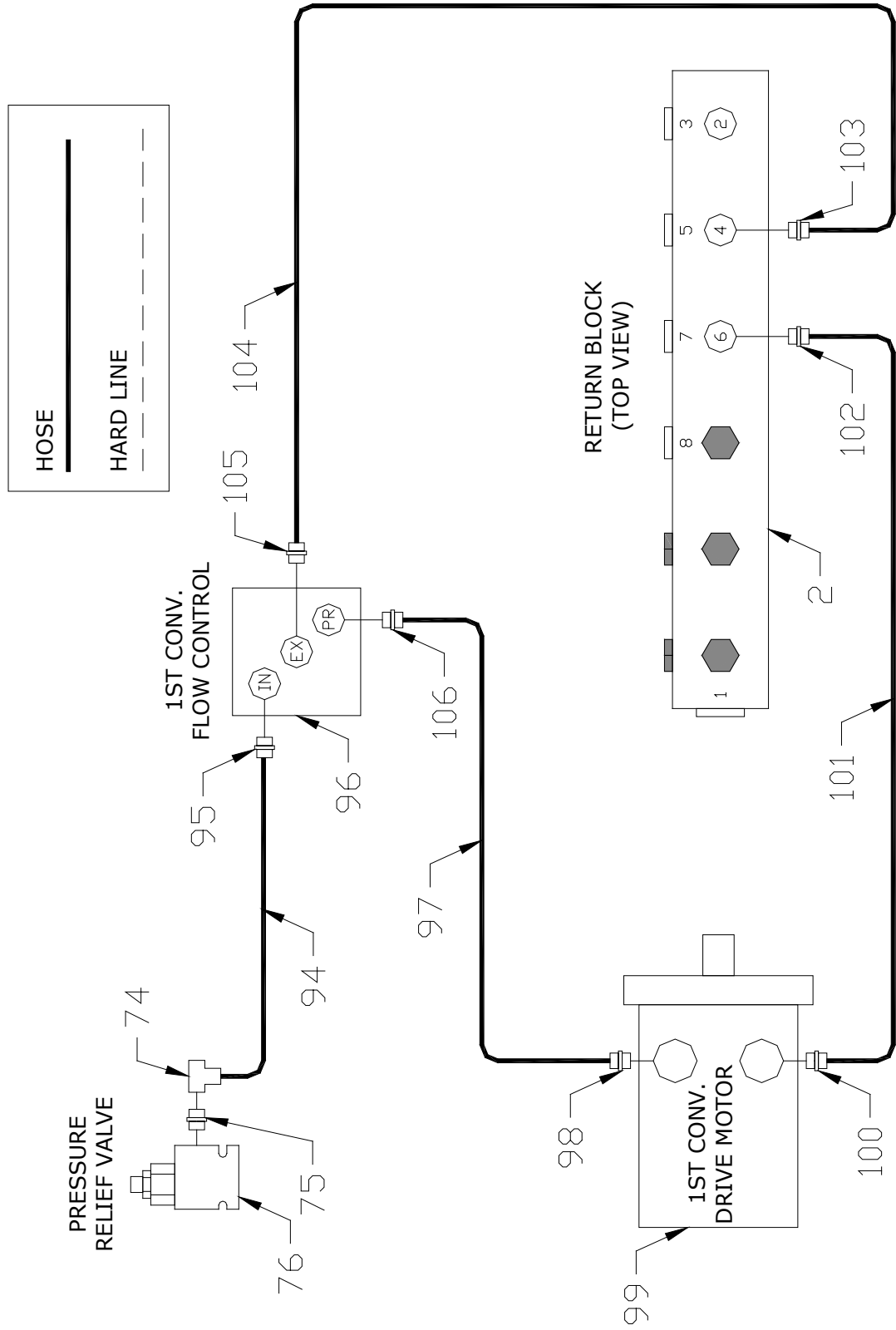
# HYDRAULICS



HEADS DRIVE MOTOR

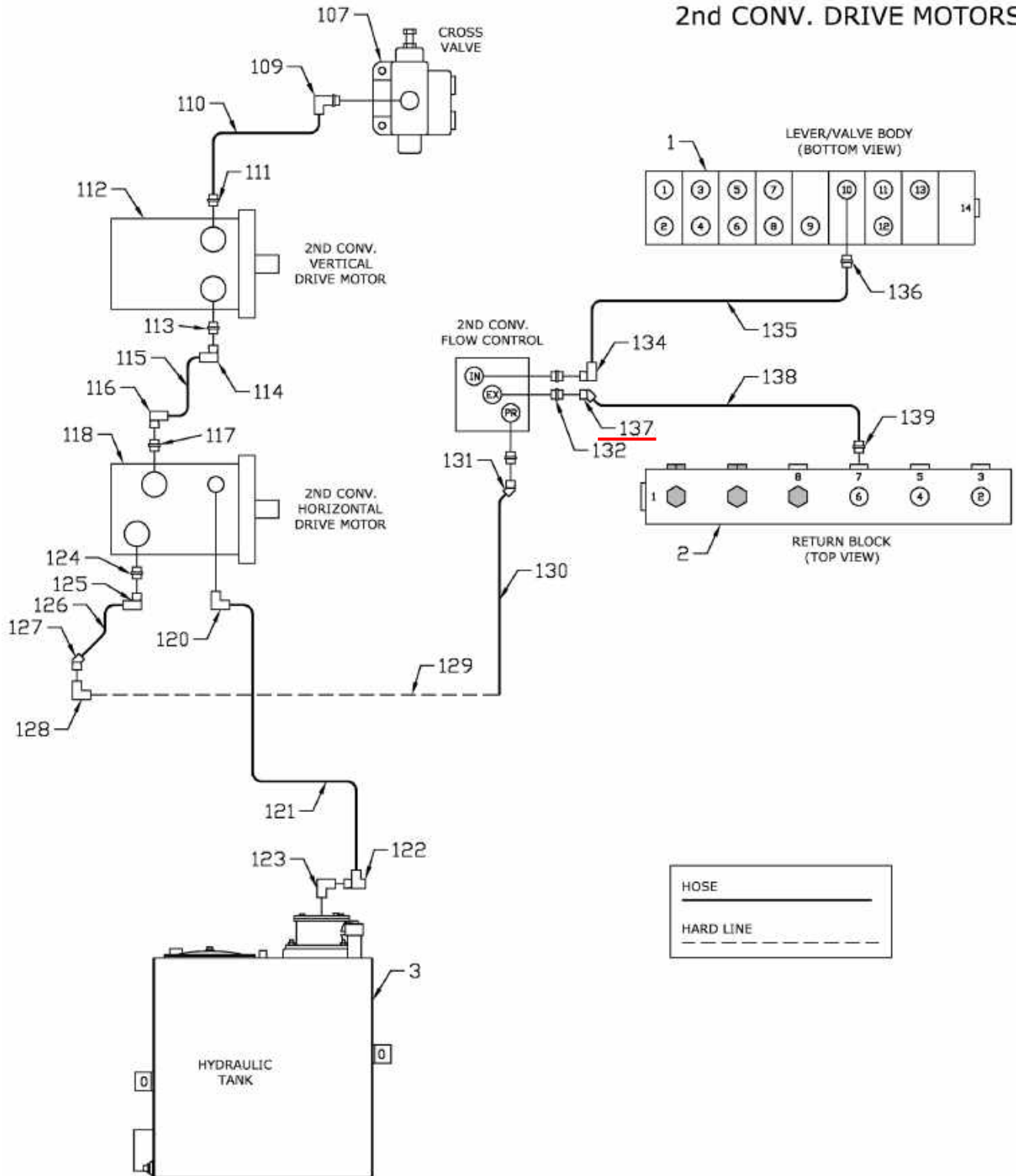


# 1ST CONV. DRIVE MOTOR

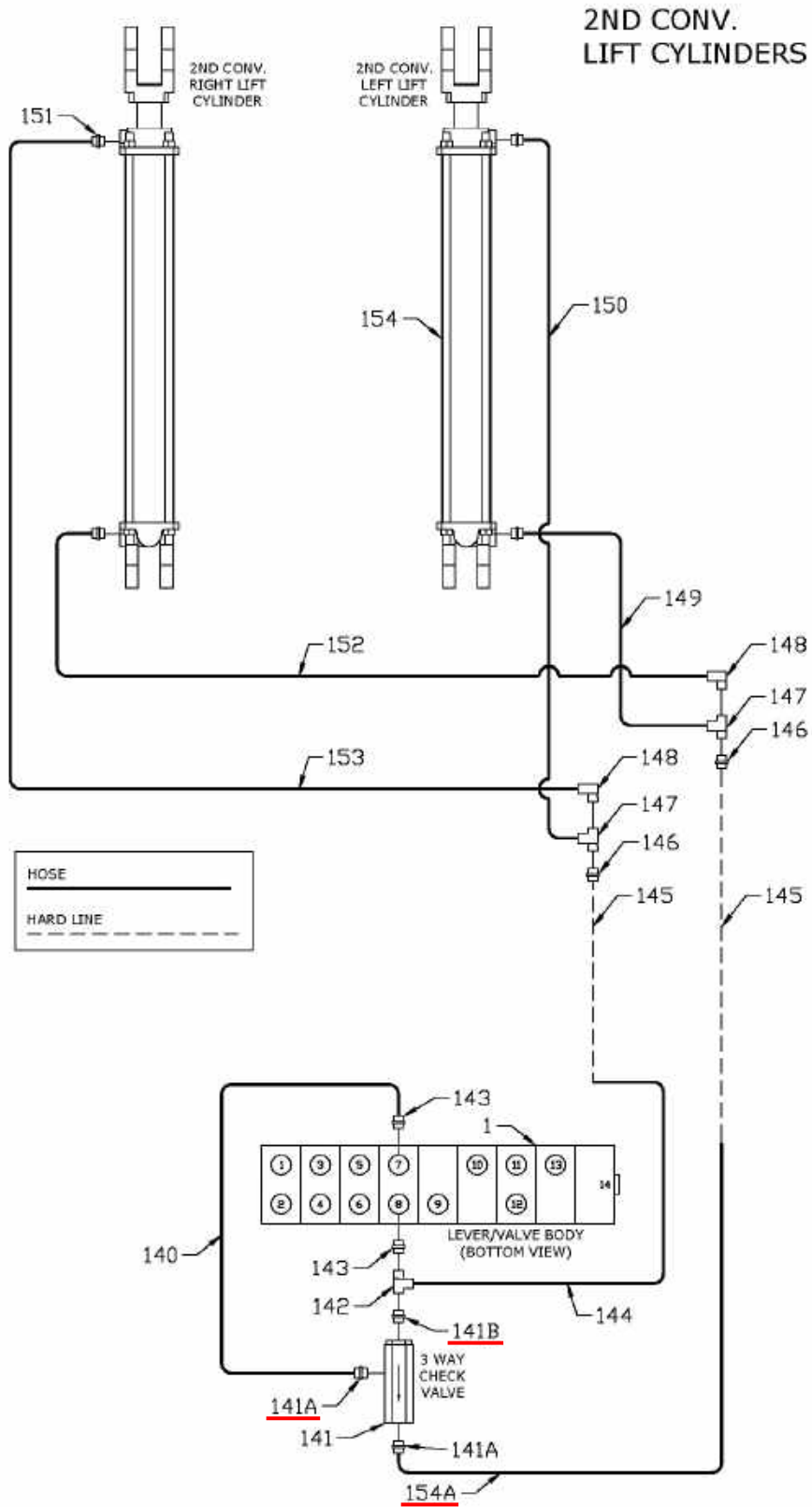


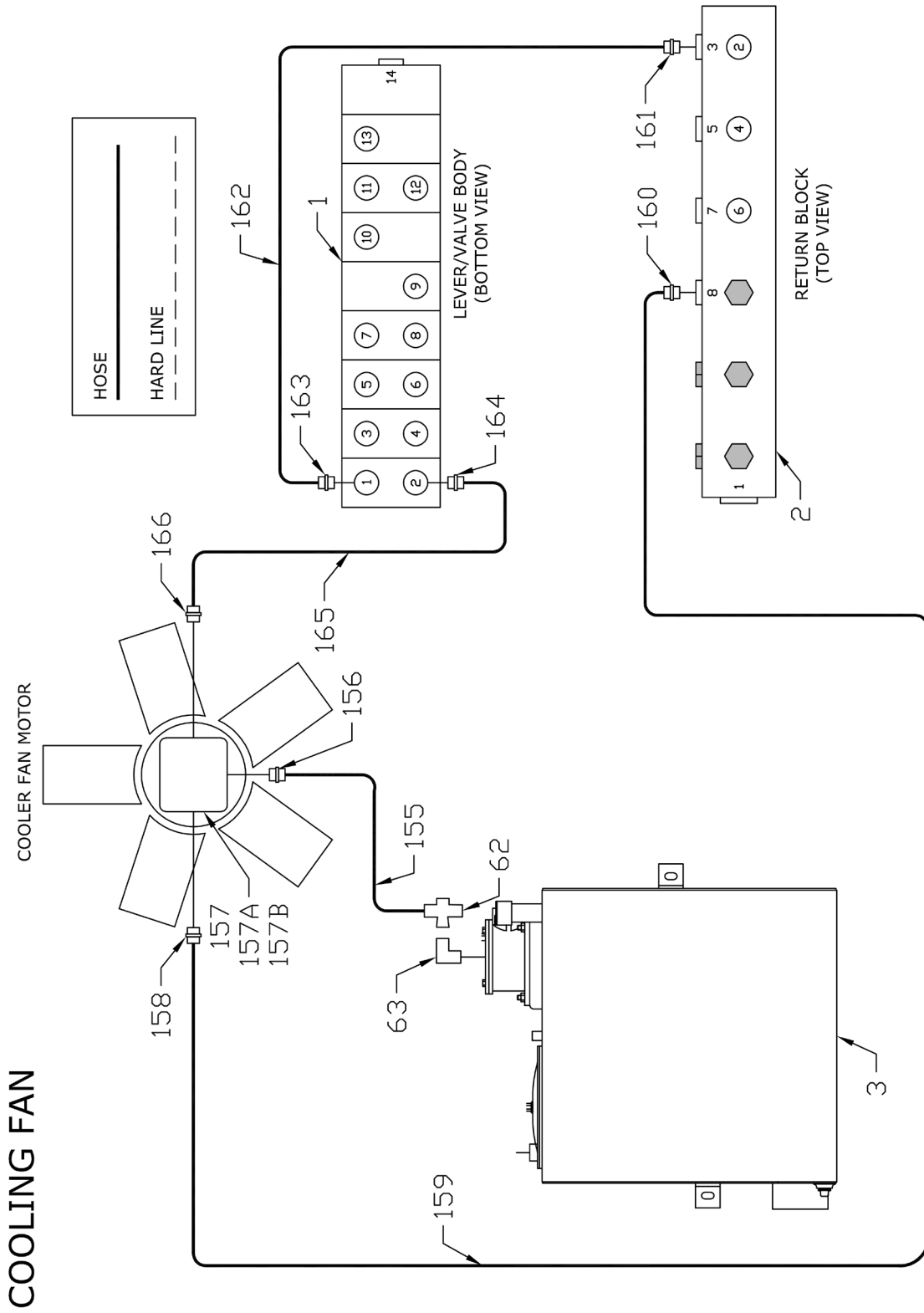
# HYDRAULICS

## 2nd CONV. DRIVE MOTORS

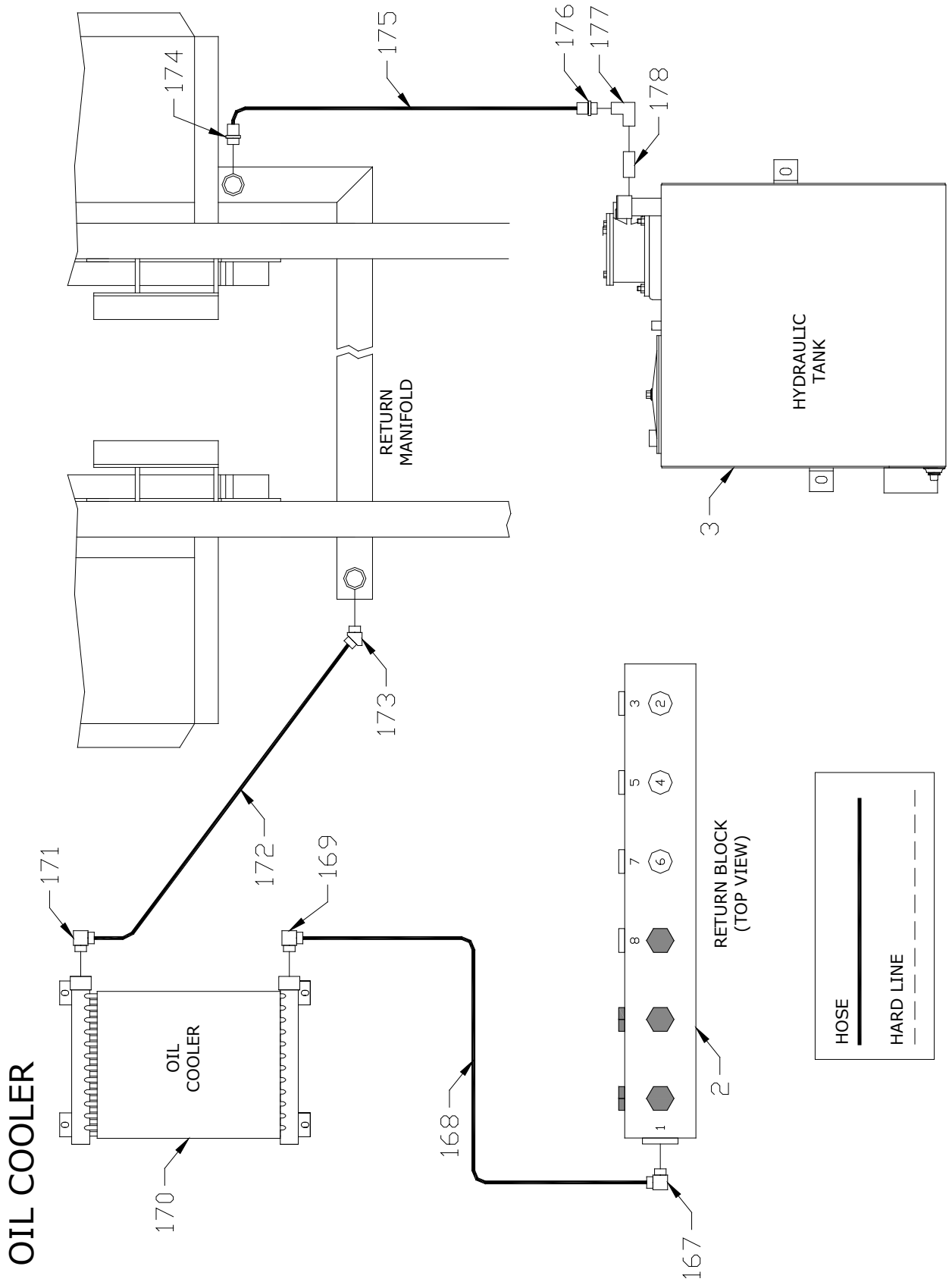


# HYDRAULICS

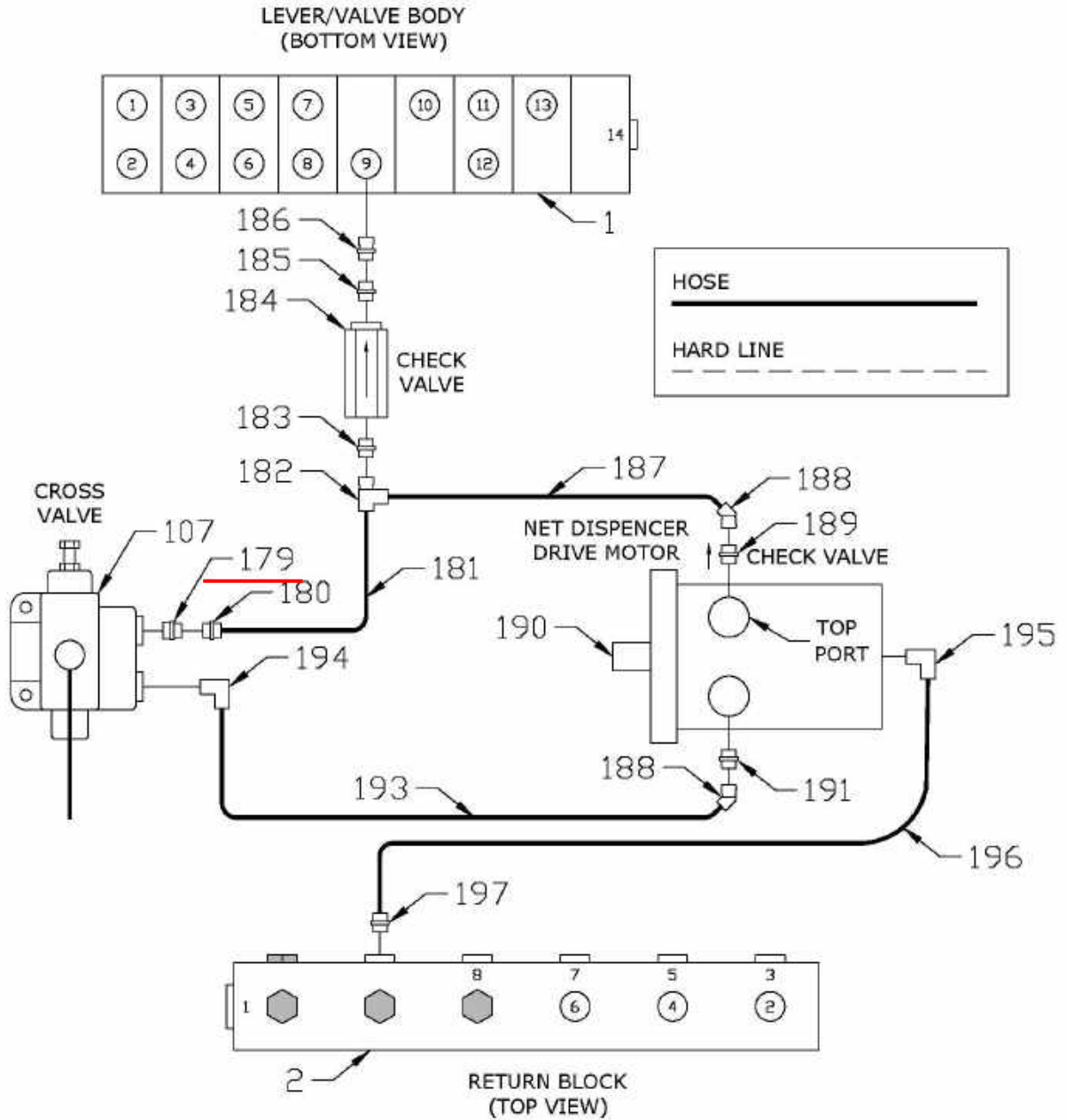




# HYDRAULICS



# NET DISPENSER DRIVE MOTOR





---

## VALVE BODY

---

### Parts List

ITEM	QTY	PART NUMBER	DESCRIPTION
1	1	<u>CVA-1417</u>	Valve assembly
2	3	<u>52250-14</u>	45 degree lever assembly (includes all items in box)
3	1	<u>CPB523</u>	90 degree lever & magnet bracket assembly (includes all items in box)
4	1	<u>52250-1</u>	90 degree lever assembly (includes all items in box)

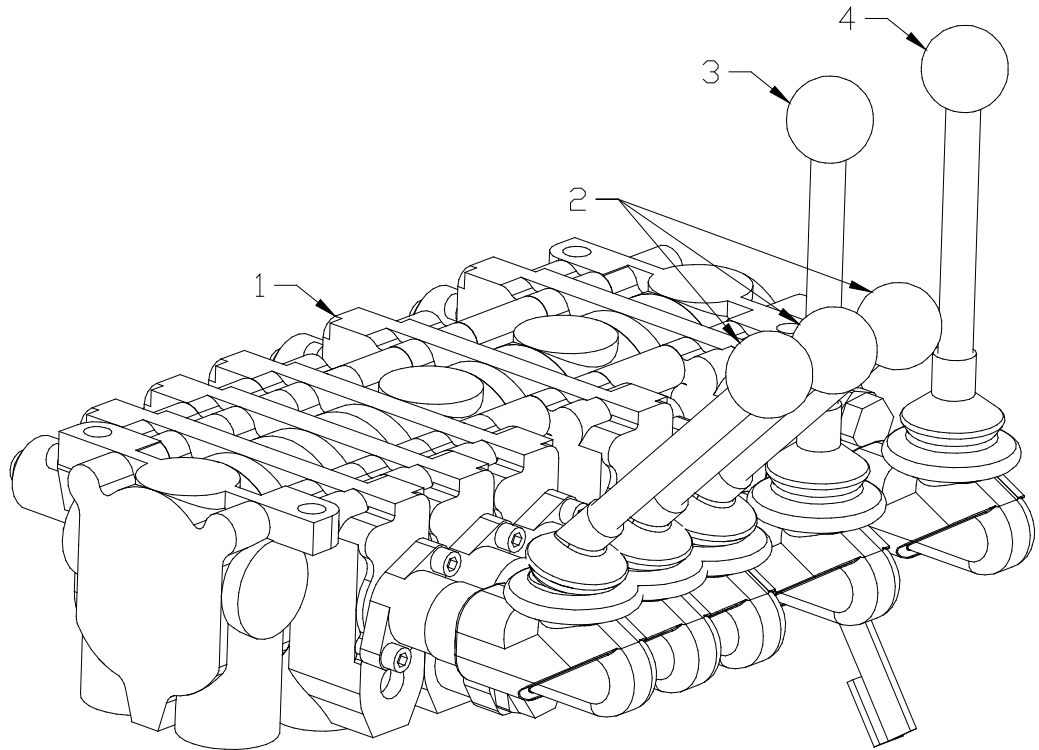
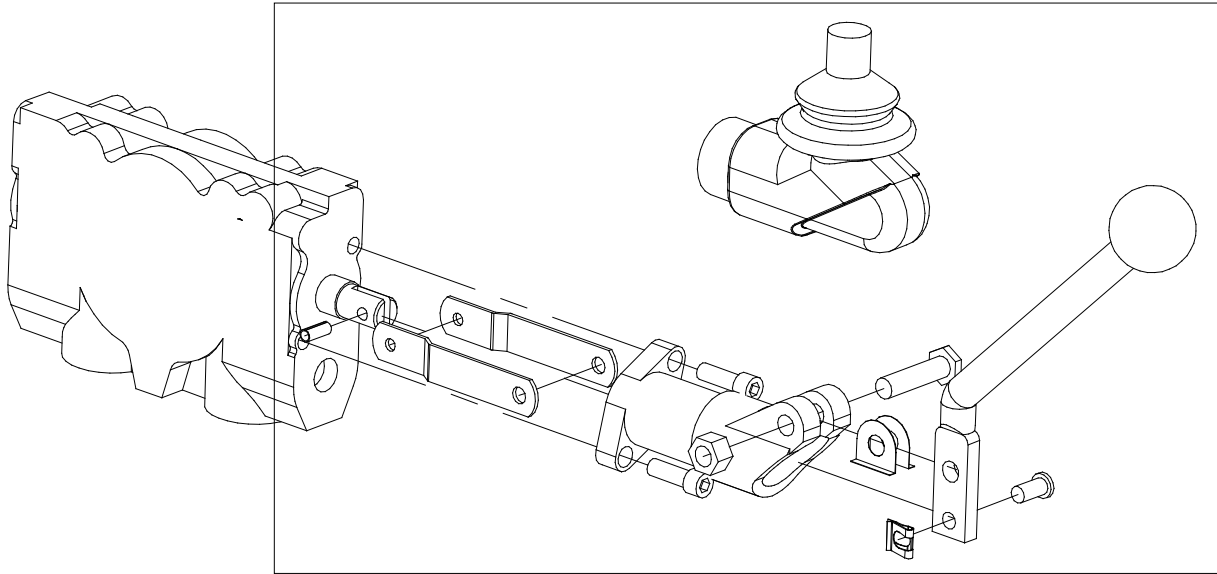
### Repair Kits

	5	<u>564</u>	Section seal kit
	5	<u>130 HUSCO</u>	Spool-end seal kit
	5	<u>51790-2</u>	Relief valve seal kit



# VALVE BODY

ALL INCLUDED W/ ITEMS 2, 3, & 4





## FLOW CONTROL

### Parts List

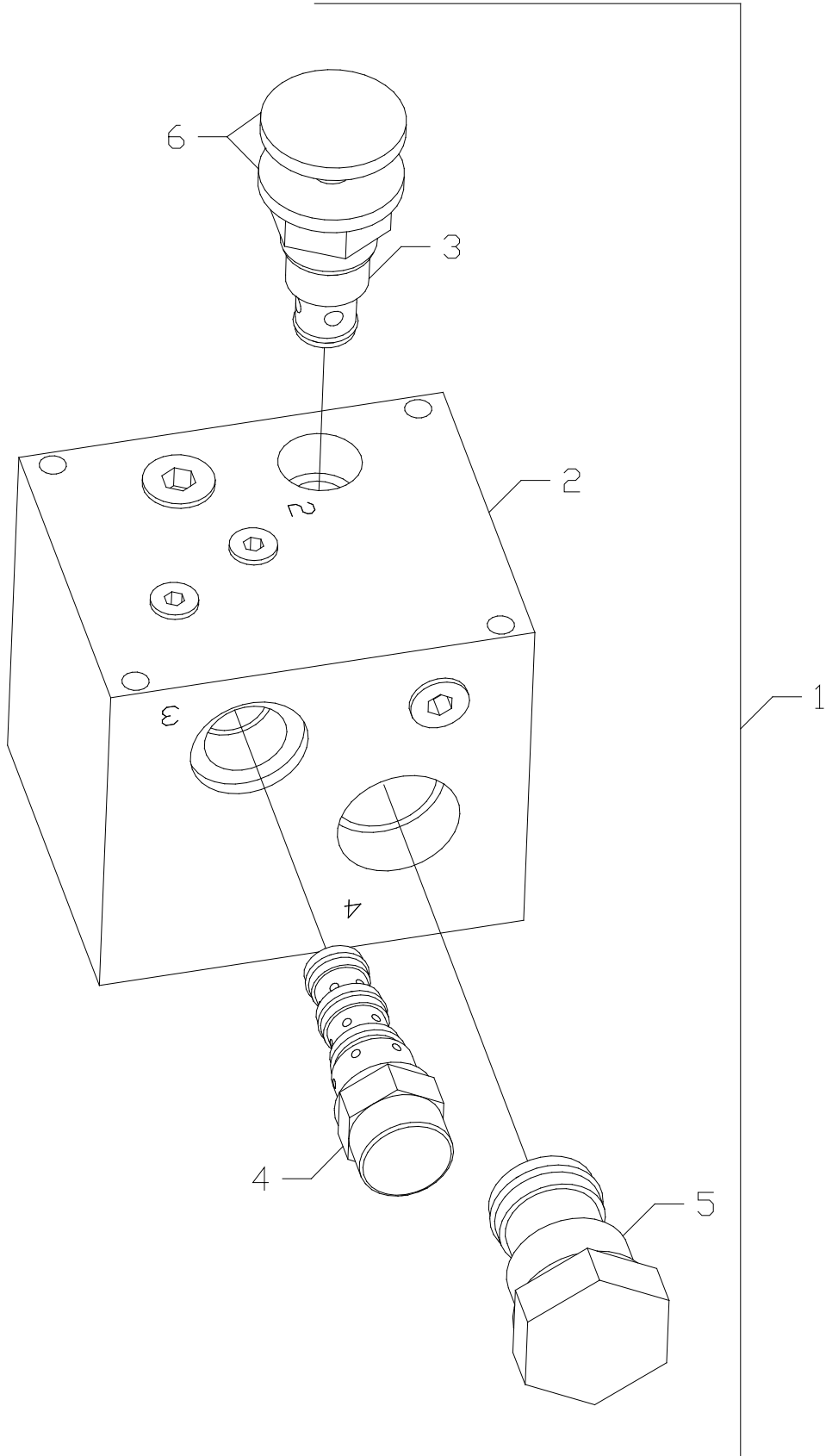
ITEM	QTY	PART NUMBER	DESCRIPTION
1	3	<u>FV-6975-GJX</u>	Flow control assy.
2	3	<u>FV-6975</u>	Valve body
3	3	<u>NFCV-10-N-K-0</u>	Flow control valve cartridge
4	3	<u>PCEB-10-N-S-0-160</u>	Pressure compensator valve cartridge
5	3	<u>CP16-B-2-B</u>	16-2 cavity plug
6	3	<u>60081</u>	Knob

### Repair Kits

	3	<u>12009</u>	Seal kit for cavity plug (item 5)
	3	<u>SK30503-N-1</u>	Seal kit for flow control valve (item 3)
	3	<u>SK30505-N-1</u>	Seal kit for pressure compensator valve (item 4)
	3	<u>NAPA 910</u>	O-ring for pressure compensator valve (item 4)



**FLOW CONTROL**





## CHOP VALVE

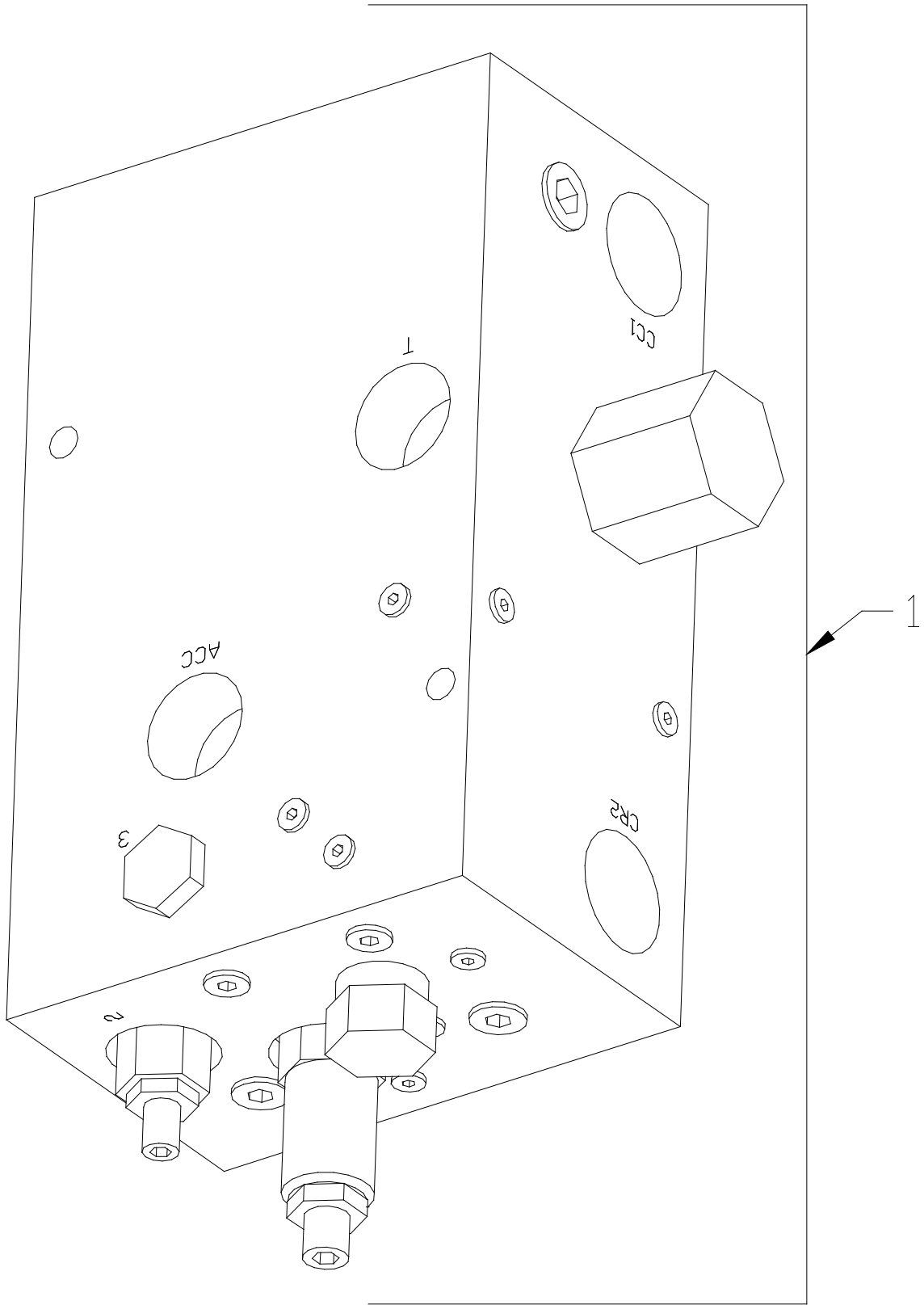
Parts List			
ITEM	QTY	PART NUMBER	DESCRIPTION
1	1	<u>FV-7053-CDJNN</u>	Chop valve assembly
2	1	<u>FV-7053-M1</u>	Valve body
3	1	<u>CP108-7-B-0-005</u>	Check valve
4	1	<u>CP722-5-B-0-080-S3</u>	Logic valve
5	1	<u>J02E2ZN</u>	Flow control valve
6	1	<u>R04C3-10-0N</u>	Diverter valve
7	1	<u>CP230-1-B-0-E-C</u>	Pressure relief valve
8	1	<u>CP108-7-B-0-005</u>	Check valve

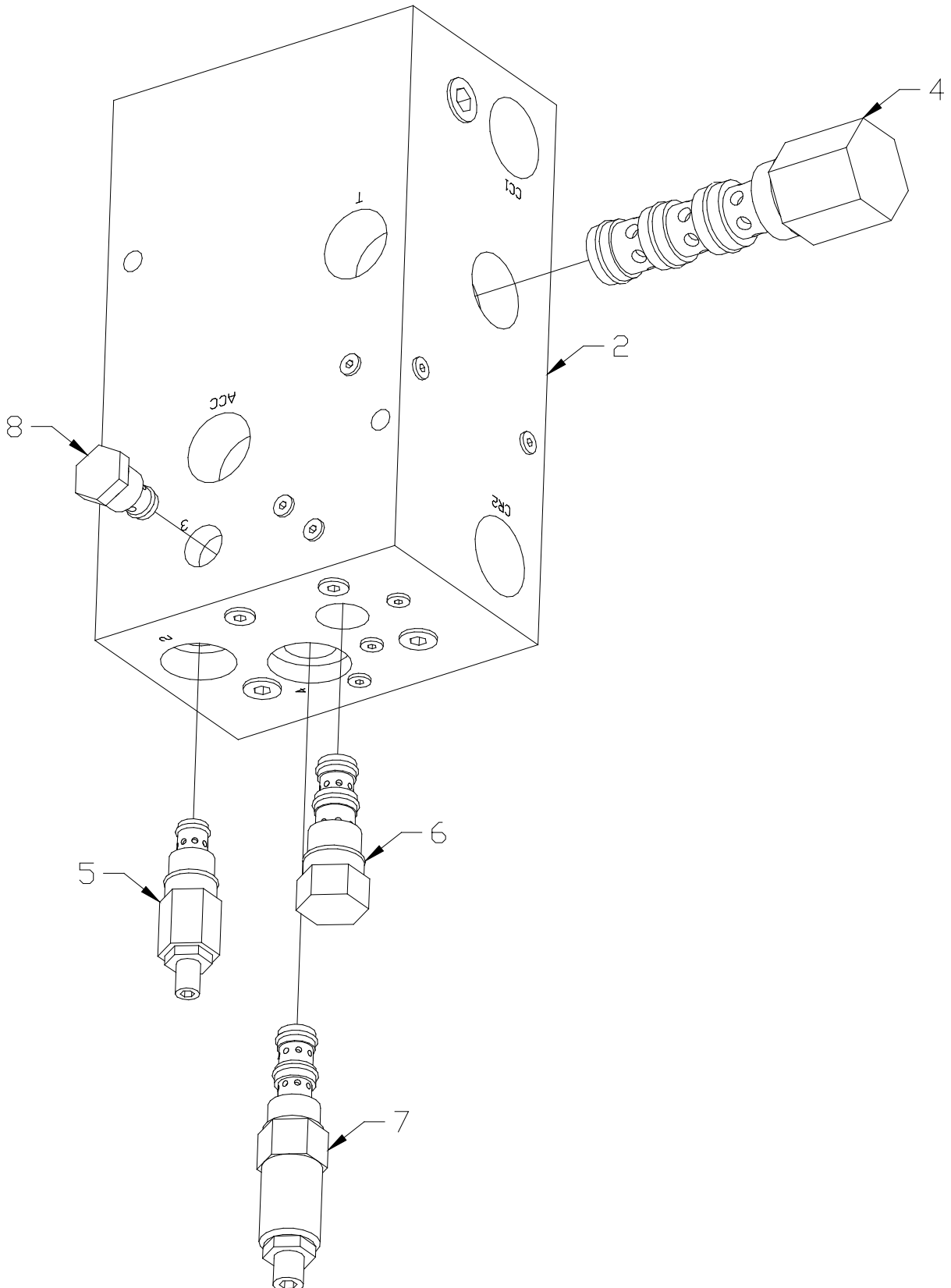
Repair Kits			
	1	<u>SK30500N-1</u>	Seal kit for flow control valve (item 5)
	1	<u>120221</u>	Seal kit for check valve (item 3)
	1	<u>120570</u>	Seal kit for pressure relief valve (item 7)
	1	<u>SK30505N-1</u>	Seal kit for diverter valve (item 6)
	1	<u>120025</u>	Seal kit for logic valve (item 4)



# CHOP VALVE



# CHOP VALVE





# ACCUMULATOR

List of Component Parts		Alternate Service <sup>1</sup>			
		Description	Part Number (OS)	WS	SS
1	Safety Cap	<u>AI-S-308</u>		N/A <sup>2</sup>	N/A <sup>2</sup>
1	Safety Cap O-Ring	<u>AI-S-309</u>		N/A <sup>2</sup>	N/A <sup>2</sup>
2	Protective Cap	<u>AI-306</u>	-SS	-4SS	-4SS
3	Valve Cap	<u>AI-S-303</u>			
4	Valve Core	<u>AI-S-304</u>			
5	GT Gas Valve	<u>AI-GT3-309</u>			
5	Gas Valve O-Ring	<u>AI-GT3-311</u>			
6	Bladder Kit <sup>3</sup>				
	Buna-Nitrile	<u>AI-1-3KT</u>		-SS	-SS
	Butyl	<u>AI-1-3KT-B</u>		-SS	-SS
	EPR	<u>AI-1-3KT-E</u>		-SS	-SS
	Fluorocarbon	<u>AI-1-3KT-V</u>		-SS	-SS
	Hydrin	<u>AI-1-3KT-H</u>		-SS	-SS
	Low Temp Buna	<u>AI-1-3KT-L</u>		-SS	-SS
7	Hex Jam Nut	<u>AI-S-305</u>	-SS	-SS	-SS
8	Name Plate	<u>AI-S-413</u>			
9	Caution Label	<u>AI-S-421</u>			
10	Anti-Extrusion Ring				
	Buna-Nitrile	<u>AI-1-407</u>	-WS	-WS	-WS
	EPDM	<u>AI-1-407-E</u>	-WS	-WS	-WS
	Fluorocarbon	<u>AI-1-407-V</u>	-WS	-WS	-WS
11	Oil Port <sup>4</sup>	<u>AI-1-402</u>	-WS	-SS	-SS
12	Stop Nut	<u>AI-1-408</u>	-SS	-SS	-SS
13	Piston	<u>AI-1-405</u>	-SS	-SS	-SS
14	Locknut	<u>AI-1-403</u>	-WS	-SS	-SS
15	Spacer	<u>AI-1-406</u>	-WS	-SS	-SS
16	Spring	<u>AI-1-409</u>	-SS	-SS	-SS
17	Poppet	<u>AI-1-404</u>	-SS	-SS	-SS
18	Shell	Not for Sale	N/A	N/A	N/A
19	Metal Back-Up Ring	<u>AI-1-412</u>	-SS	-SS	-SS
20	O-Ring				
	Buna-Nitrile	<u>AI-1-410</u>			
	EPDM	<u>AI-1-410-E</u>			
	Fluorocarbon	<u>AI-1-410-V</u>			
21	Rubber Back-Up Ring	<u>AI-1-411</u>			
22	Bleed Plug				
	<sup>1</sup> / <sub>4</sub> " NPT	<u>AI-S-418</u>	-SS	-SS	-SS
	<sup>7</sup> / <sub>16</sub> "-20 SAE	<u>AI-S-419</u>	-SS	-SS	-SS

**Standard Configuration**

SA 372 Chrome-moly Steel Shell  
 C-1018 and 4130 or 4140 Components  
<sup>3</sup>/<sub>4</sub>" NPT Female Fluid Port  
 Buna-Nitrile Rubber Components

**Optional Configuration (at extra cost)**

AN Gas Valve  
 Resin Coatings, Internal (WS)  
 Electroless Nickel Plating, Internal & External (SS)  
 Resin Coating - ID, 3 Part Marine Epoxy Paint - OD (XS)  
 Stainless Steel Components  
 Foreign and Domestic Codes  
 Call Factory for Other Options

**Dimensions<sup>5</sup>**

Part Number	Weight
AIQT3100	9.5 lbs

**Oil Port Options**

Fluid Port Type	Designation
<sup>1</sup> / <sub>4</sub> " NPT Female	None
Metric Female	-2
<sup>1</sup> / <sub>8</sub> "-12 SAE Female	-3
Code 61, <sup>1</sup> / <sub>4</sub> " SAE Split Flange	4
BSP Female	-7
Other	Call
Special Materials	Call

<sup>1</sup> OS-Oil Service, WS- Water Service, SS-Special Service, XS-Extreme Service

<sup>2</sup> Special service accumulator uses a solid protective cap

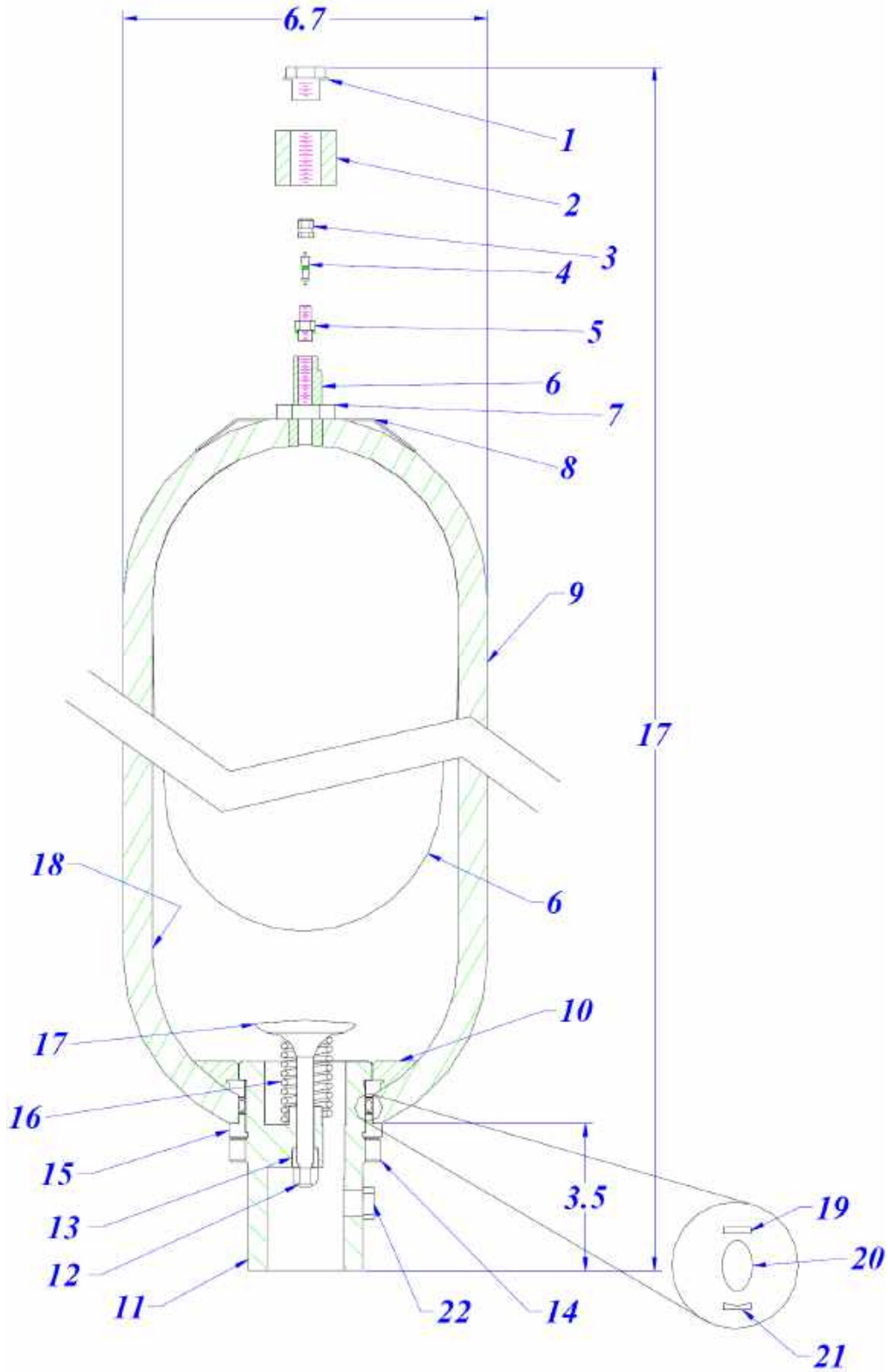
<sup>3</sup> Bladder kit consists of the following parts: 3, 4, 5, 18, and 19

<sup>4</sup> See Oil Port Configuration for options

<sup>5</sup> Nominal dimensions. Manufacturing variations will occur. Allow <sup>1</sup>/<sub>2</sub>".



# ACCUMULATOR



---

# ACCUMULATOR

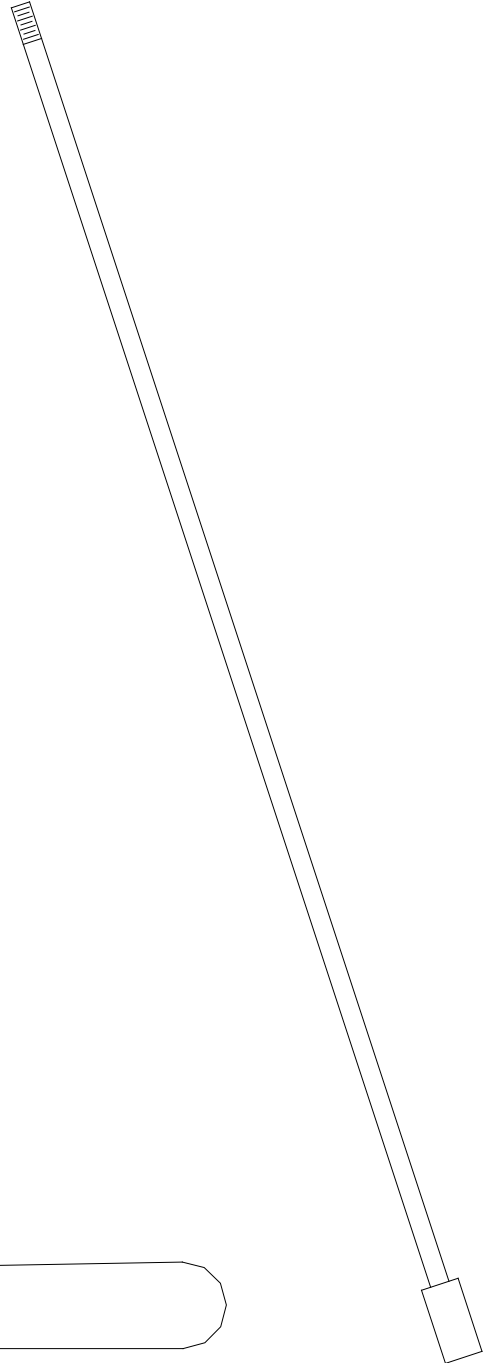
---

## BLADDER REPAIR KIT TOOLS

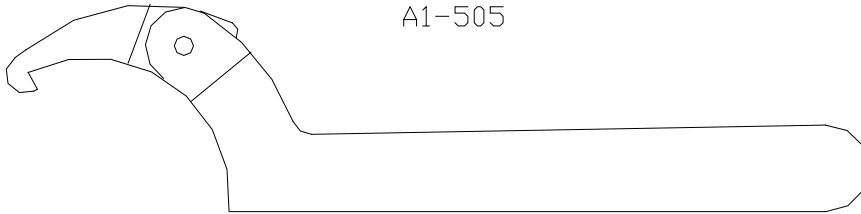
A1-511



A1-501



A1-505





---

**HYDRAULIC TANK / INCREASER**

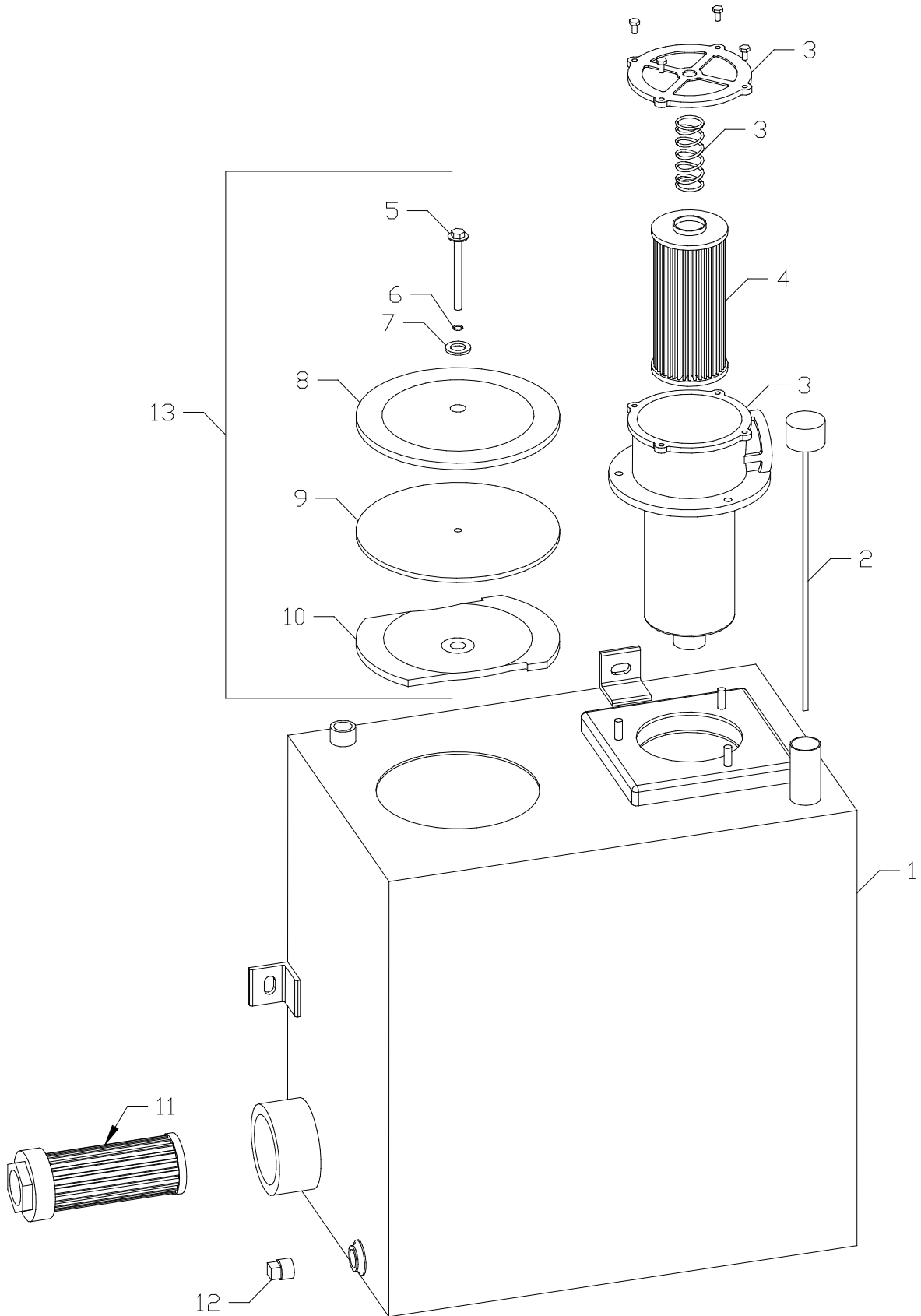
---

**Hydraulic Tank - Parts List**

ITEM	QTY	PART NUMBER	DESCRIPTION
1	1	<u>RV-1378</u>	Reservoir assembly
2	1	<u>DS100</u>	Dipstick
3	1	<u>K051204</u>	Filter housing assembly
4	1	<u>P171537</u>	Filter
5	1	<u>13-2.0 X 100 mm</u>	Flange-head bolt
6	1	<u>13 mm</u>	O-ring
7	1	<u>13 mm</u>	Flat washer
8	1	<u>RV-1378-1</u>	Cover
9	1	<u>RV1378-2</u>	Gasket
10	1	<u>RV-1378-3</u>	Clamp plate
11	1	<u>TF-1530-0-3</u>	Suction strainer
12	1	<u>5406-SHP-12-MAG</u>	Magnetic plug
13	1	<u>FCC-10</u>	Cover assy. (includes items 5-10)



# HYDRAULIC TANK / INCREASER



## HYDRAULIC TANK / INCREASER

### Bervini Pump & Increaser - Parts List

ITEM	QTY	PART NUMBER	DESCRIPTION
1	1	<u>1B002</u>	Swivel assembly arm (pump bracket)
2	1	<u>1B003</u>	Swivel assembly (pump bracket)
3	1	<u>1B004-1</u>	Base assembly (pump bracket)
4	2	<u>13109</u>	3/8"-16 x 1-1/2" Zinc Finish SAE J429 Grade 5 Hex Cap Screw
	2	<u>36306</u>	3/8"-16 Zinc Finish Grade 5 Finished Hex Nut
	2	<u>33893</u>	3/8" Yellow Zinc Finish High Alloy Medium Split Lock Washer
	2	<u>33859</u>	3/8" Yellow Zinc Finish USS Thru-Hardened Flat Washer
5	1	<u>13117</u>	3/8"-16 x 3-1/2" Grade 5 Zinc Finish Hex Cap Screw
	1	<u>37264</u>	3/8"-16 Zinc Finish Grade C Top Lock Nut
6	2	<u>38716</u>	M12-1.75 x 80mm DIN 931 Class 8.8 Zinc Cap Screw
	2	<u>33894</u>	7/16" Yellow Zinc Finish High Alloy Medium Split Lock Washer
7	1	<u>HP001-TPSDARSR</u>	Tandem Pump
8	1	<u>42201900</u>	Snap Ring
9	1	<u>31025100</u>	Spline Shaft Coupling
10	1	<u>45112400000</u>	Sight Glass
11	1	<u>17750</u>	Shaft Seal, Spline Shaft to Pump
12	2	<u>44000300</u>	Bearing, Spline Shaft to Pump
13	1	<u>44115200</u>	O-ring for Cap in Spline Shaft
14	1	<u>39207800</u>	Plastic Plug for Spline Shaft
15	1	<u>39205000</u>	Housing Gasket
16	2	<u>60310400</u>	Plug, 3/8" NPT
17	1	<u>49101700</u>	Breather Plug, 3/8" NPT
18	3	<u>39207100</u>	Plug Gasket
19	1	<u>19605</u>	Shaft Seal, Female PTO Shaft
20	2	<u>44001200</u>	Bearing, Female PTO Shaft
21	1	<u>43201100</u>	Key for PTO Shaft
22	1	<u>42201200</u>	Snap Ring, PTO Shaft
23	1	<u>44115300</u>	O-ring for Cap PTO Shaft
24	1	<u>39207900</u>	Plastic Plug for PTO Shaft
25	1	<u>34243200</u>	Pinion Gear For <u>H1001-B</u>
	1	<u>H1001-B</u>	Increaser; Includes Item 8 thru 25

NOTE: Items not called out in illustration are **non-serviceable** parts





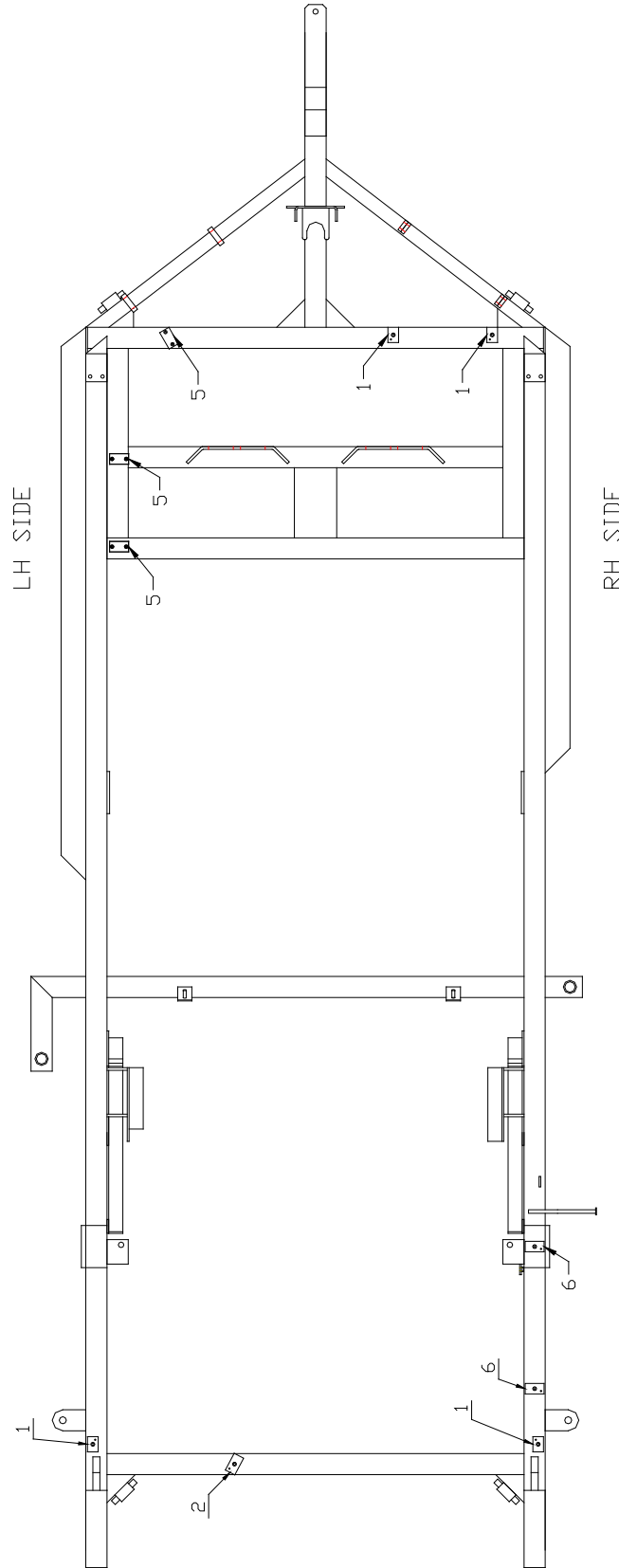


## HYDRAULIC HOSE/HARD LINE MOUNTS

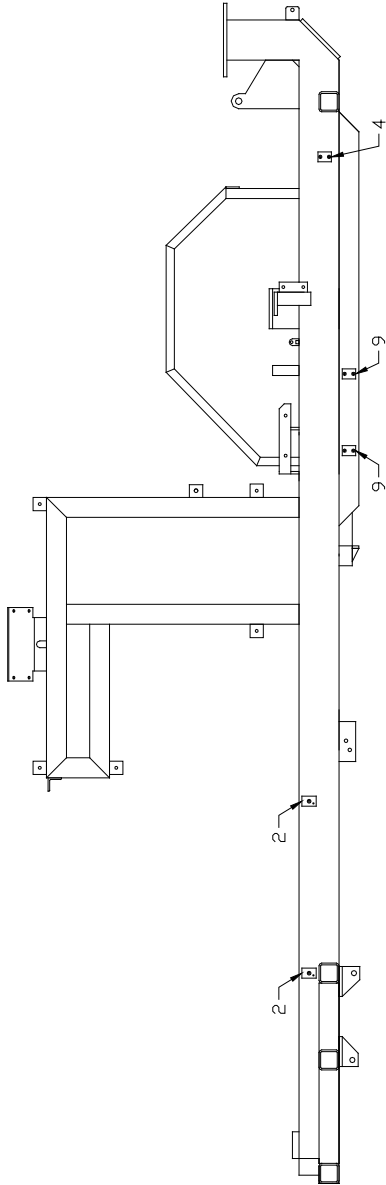
Parts List			
ITEM	QTY	PART NUMBER	DESCRIPTION
1	7	HYDMNT001	Hose Mount
2	4	<u>HYDMNT002</u>	Hose Mount
3	3	<u>HYDMNT003</u>	Hose Mount
4	3	<u>HYDMNT004</u>	Hose Mount
5	6	HYDMNT005	Hose Mount
6	2	<u>HYDMNT006</u>	Hose Mount
7	5	<u>HYDMNT007</u>	Hose Mount
8	2	<u>HYDMNT008</u>	Hose Mount
9	2	<u>HYDMNT009</u>	Hose Mount
10	3	<u>HYDMNT010</u>	Hose Mount



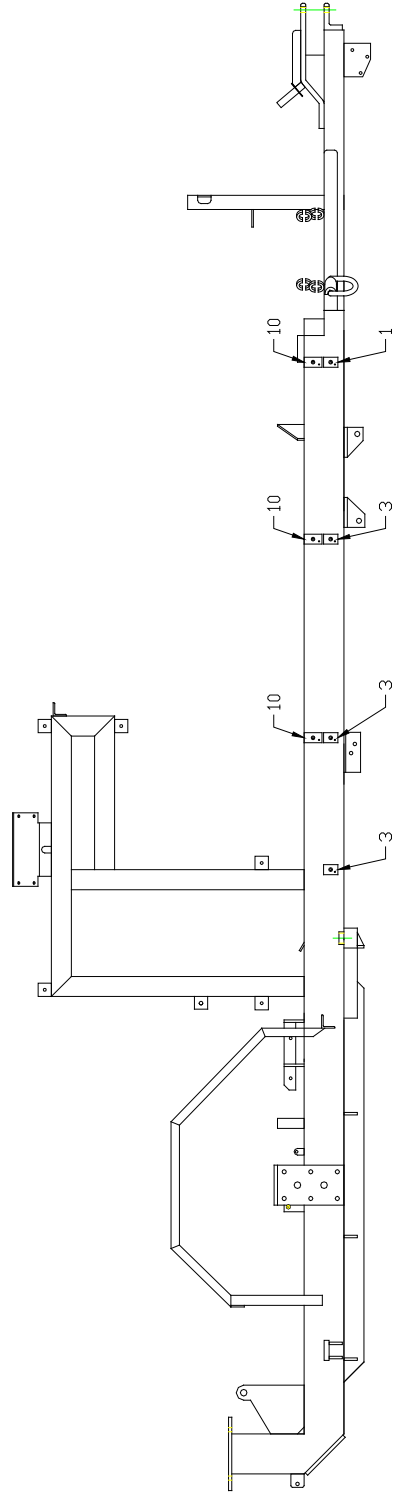
HYDRAULIC HOSE/HARD LINE MOUNTS



# HYDRAULIC HOSE/HARD LINE MOUNTS

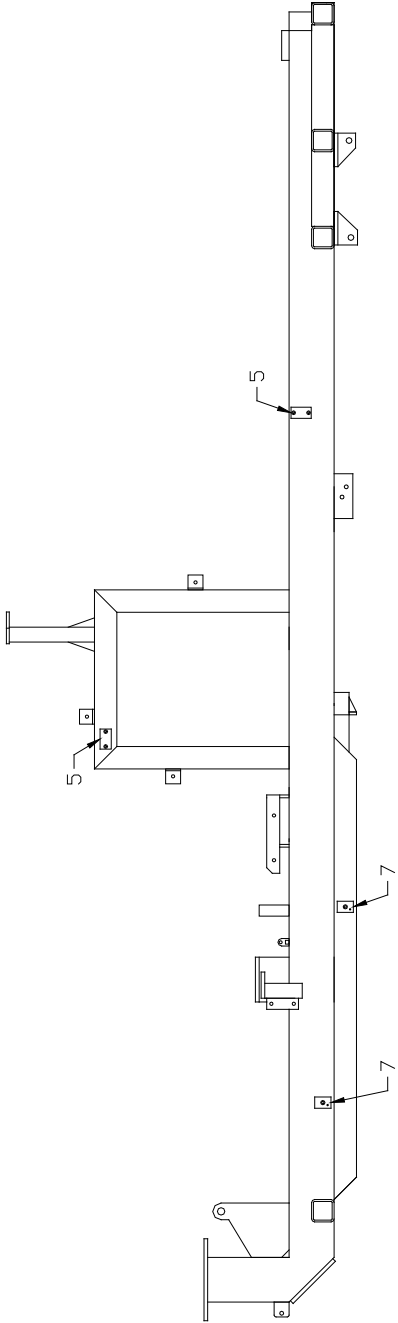


RH SIDE INSIDE OF FRAME

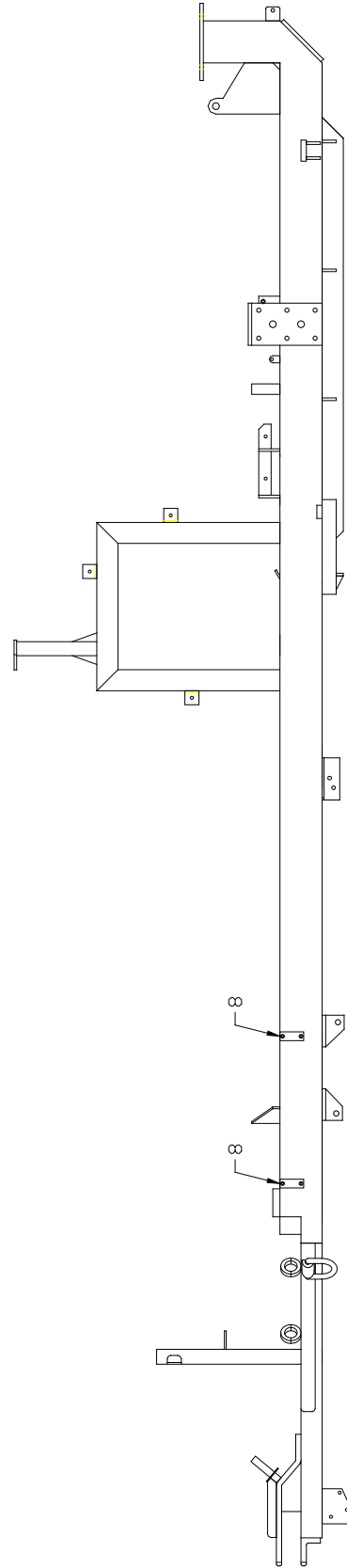


RH SIDE OUTSIDE OF FRAME

**HYDRAULIC HOSE/HARD LINE MOUNTS**



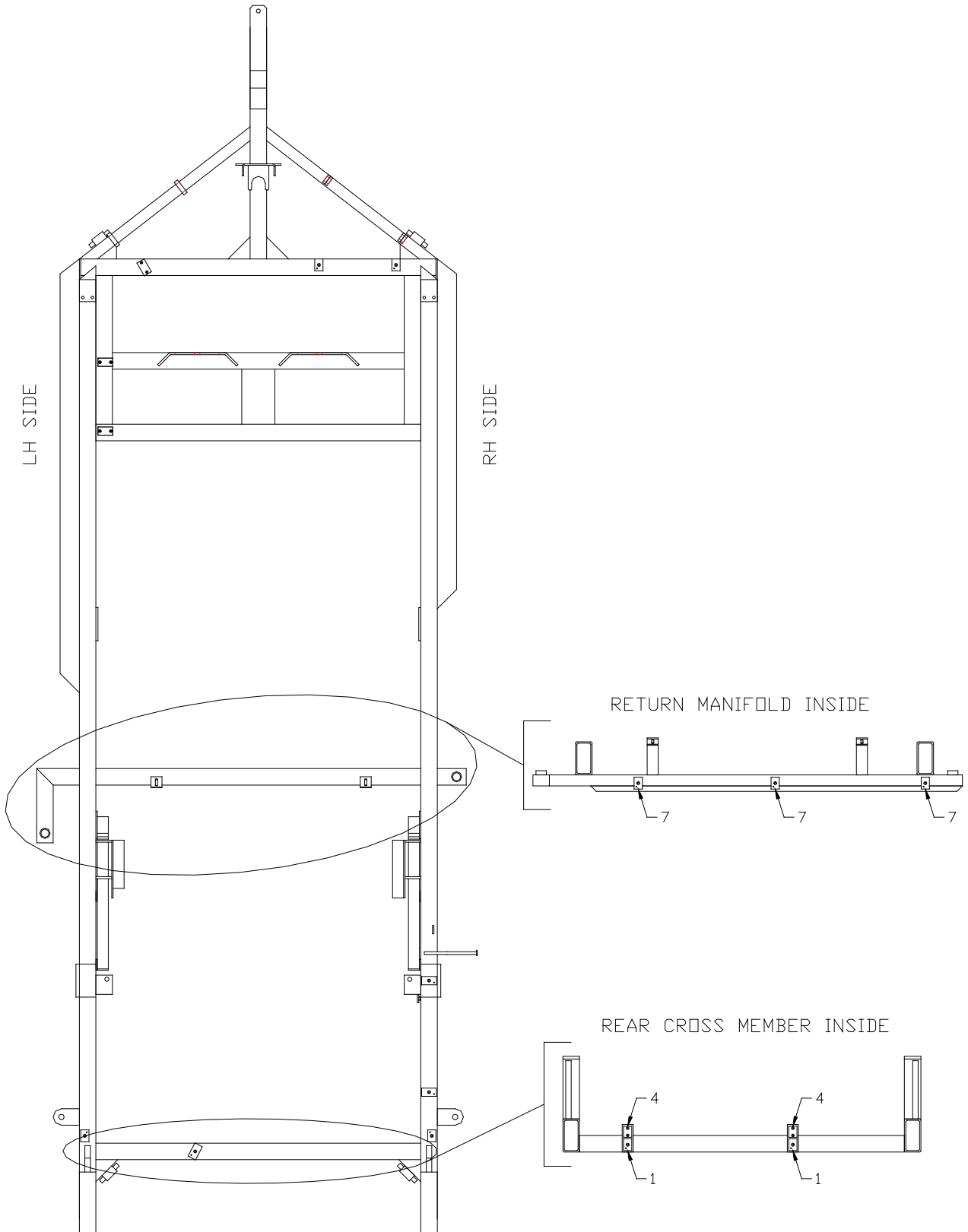
LH SIDE INSIDE OF FRAME



LH SIDE INSIDE OF FRAME

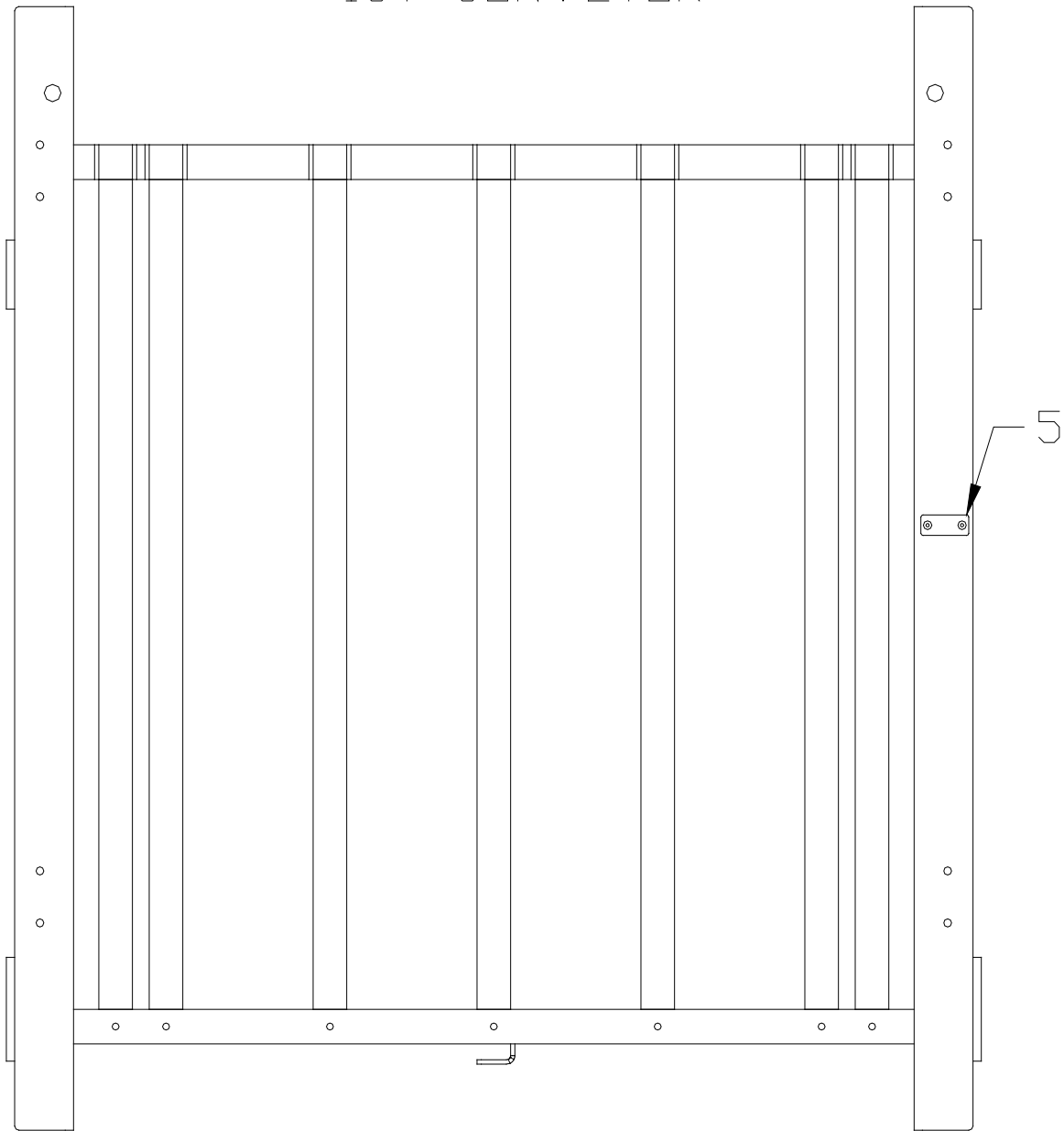


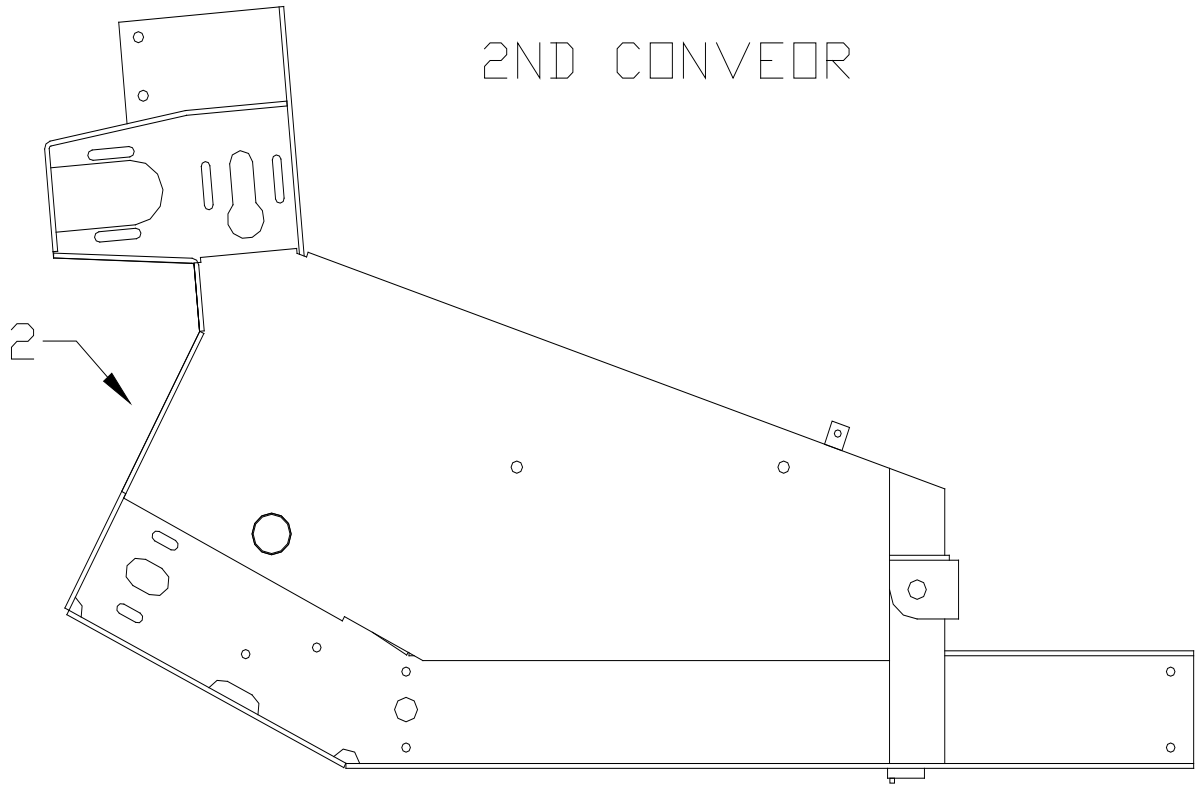
# HYDRAULIC HOSE/HARD LINE MOUNTS



**HYDRAULIC HOSE/HARD LINE MOUNTS**

1ST CONVEYOR







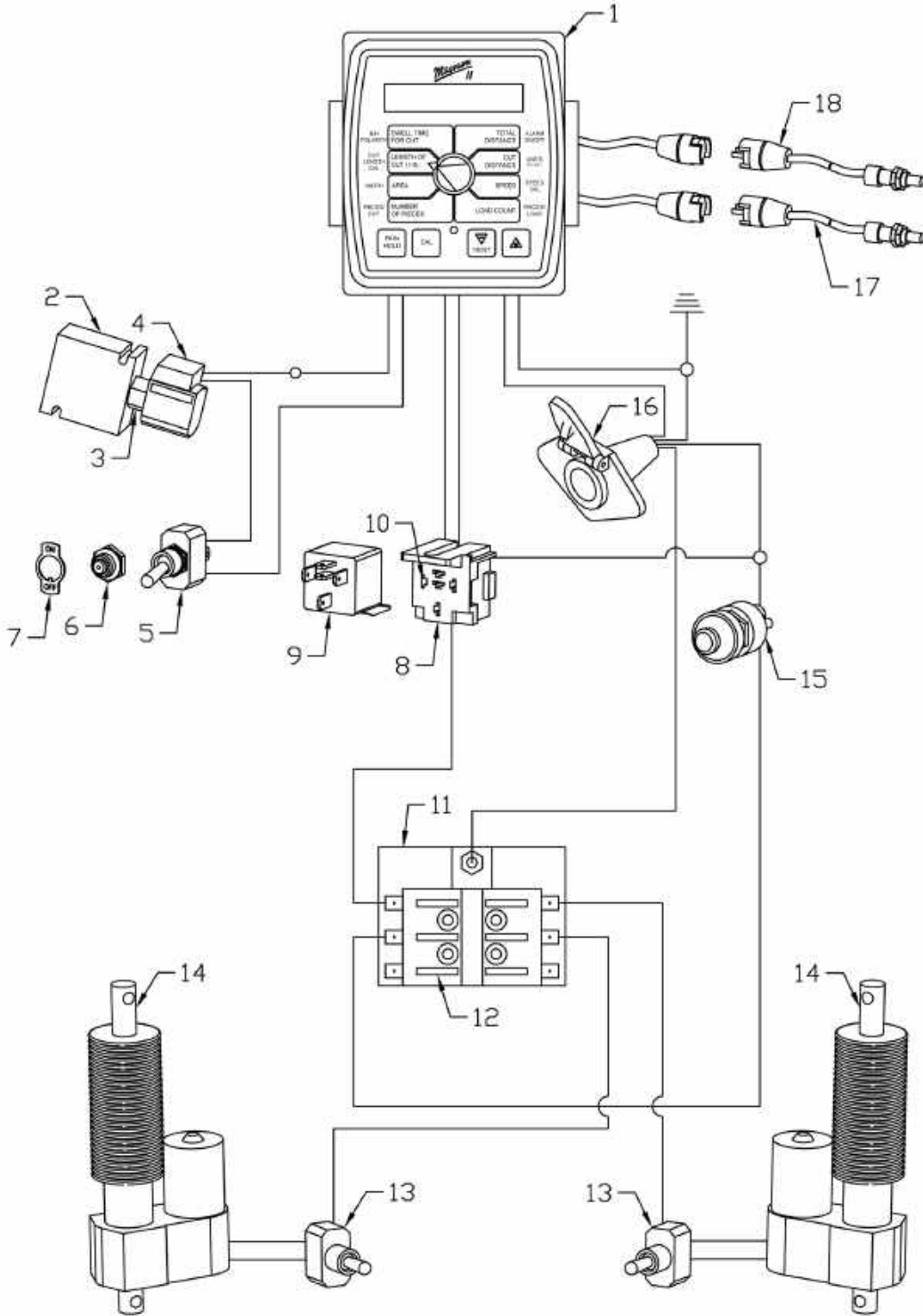
## ELECTRICAL COMPONENTS

### COUNTER – Parts List VERSION 1

ITEM	QTY	PART NUMBER	DESCRIPTION
1	1	<u>000102-SR</u>	Magnum II counter
2	1	<u>LB1-0523A</u>	Chop valve body
3	1	<u>GS02-30-20-N</u>	Chop valve actuator
4	1	<u>CCP012L</u>	Chop valve coil
5	1	<u>44252</u>	Chop On/Off switch
6	1	<u>44215</u>	Toggle boot
7	1	<u>44216</u>	Face plate
8	1	<u>75280</u>	Relay base
9	1	<u>75411</u>	Relay
10	1	<u>31073</u>	Relay terminal
11	1	<u>46050</u>	Fuse panel
12	4	<u>46230</u>	30-amp fuse
13	2	DCSWI	Depth control switch
14	2	DC0009	Depth control actuator
15	1	<u>STDSSB5</u>	Horn switch
16	2	<u>STD-TCP41F</u>	Female 4 Point Plug
17	1	<u>17195-2</u>	Run/Hold proximity switch wire and sensor (2')
18	1	<u>13609-2</u>	Run/Hold proximity switch wire and sensor (2')
19	1	<u>HA100</u>	Horn Assembly
20	1	<u>730-1020</u>	Horn
21	1	<u>1B014</u>	Horn Bracket
22	Per Ft	<u>WT16-4</u>	Cable
23	1	<u>3805-SC-46AR-BU</u>	Red Alligator Clip
24	1	<u>3805-SC-46LK-BU</u>	Black Alligator Clip
25	1	<u>FRA000-SR</u>	Frame Cord
26	2	<u>STD-TCP41M</u>	Male 4 Point Plug

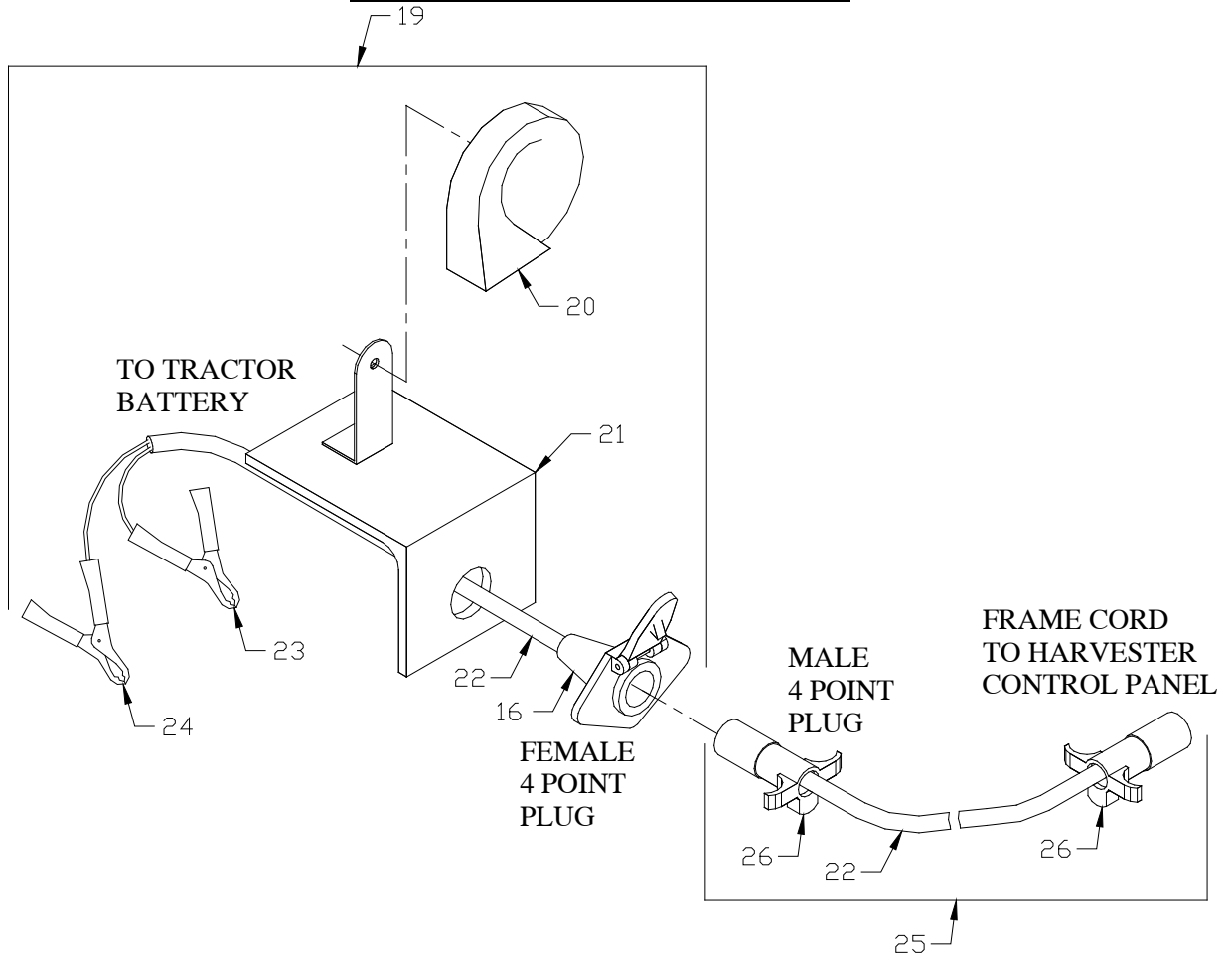


# ELECTRICAL COMPONENTS

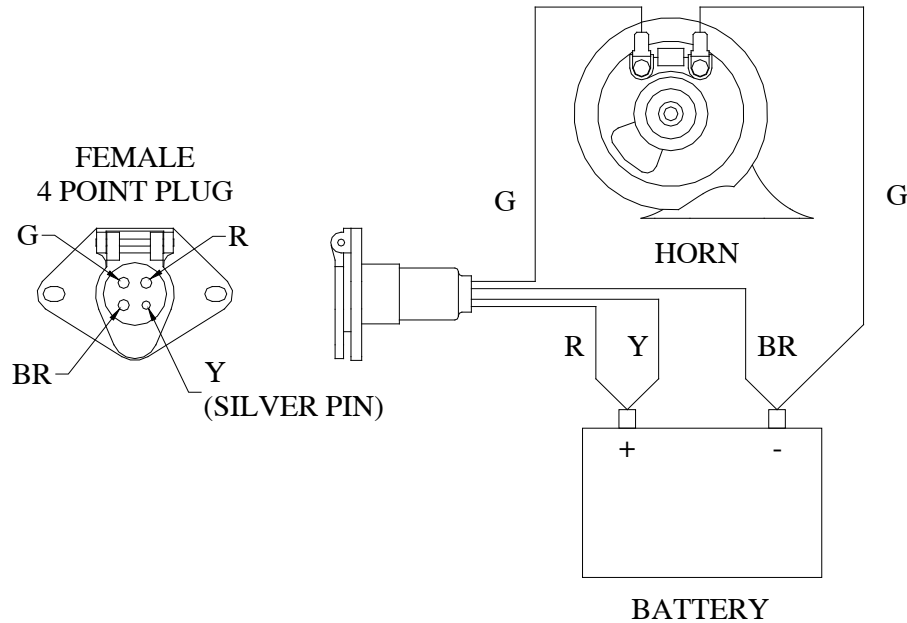


**ELECTRICAL COMPONENTS**

**HORN BRACKET / FRAME CORD**



**HORN BRACKET WIRING DIAGRAM**



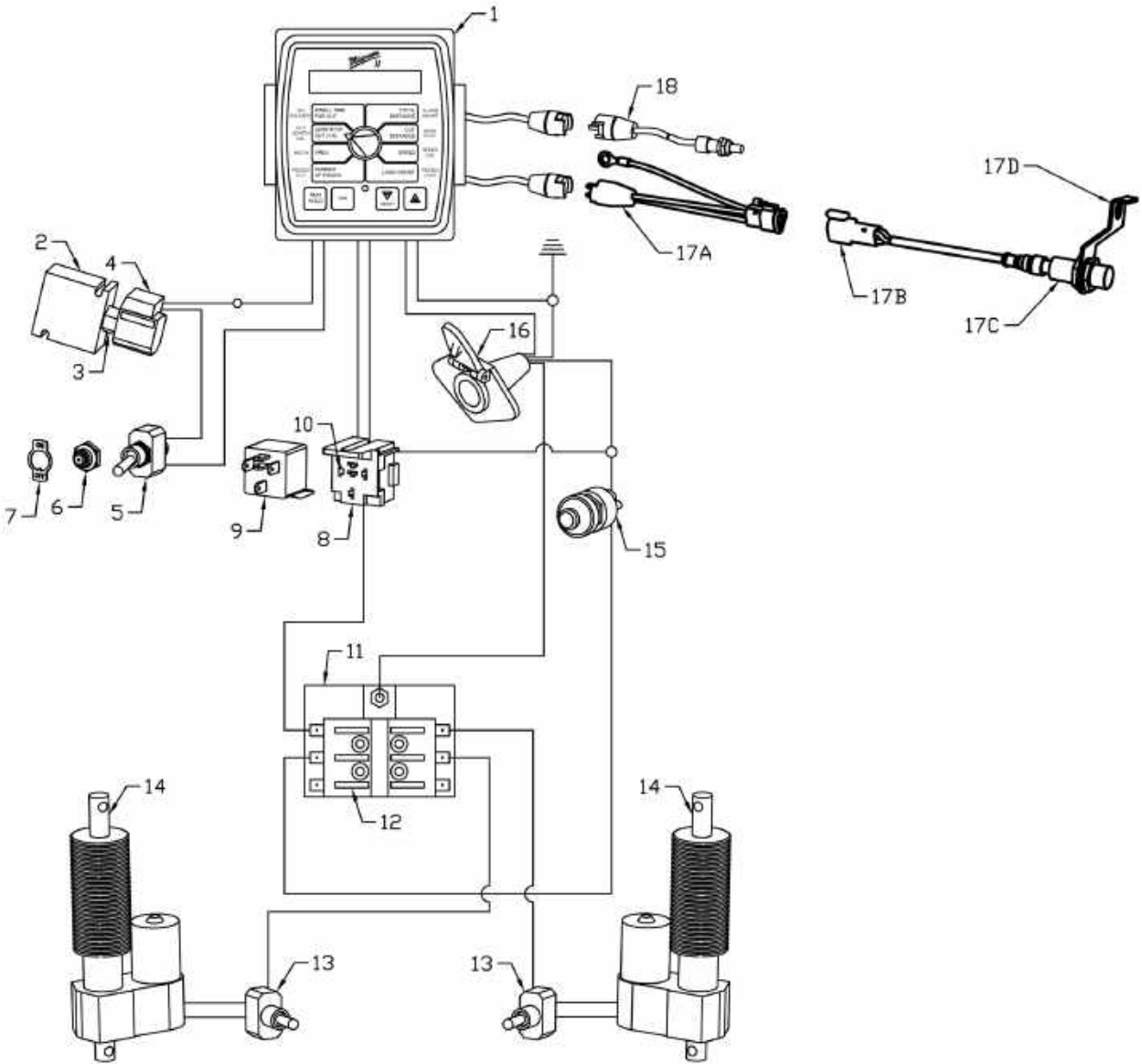
## ELECTRICAL COMPONENTS

### COUNTER – Parts List VERSION 2

ITEM	QTY	PART NUMBER	DESCRIPTION
1	1	<u>000102-SR</u>	Magnum II counter
2	1	<u>LB1-0523A</u>	Chop valve body
3	1	<u>GS02-30-20-N</u>	Chop valve actuator
4	1	<u>CCP012L</u>	Chop valve coil
5	1	<u>44252</u>	Chop On/Off switch
6	1	<u>44215</u>	Toggle boot
7	1	<u>44216</u>	Face plate
8	1	<u>75280</u>	Relay base
9	1	<u>75411</u>	Relay
10	1	<u>31073</u>	Relay terminal
11	1	<u>46050</u>	Fuse panel
12	4	<u>46230</u>	30-amp fuse
13	2	<u>DCSWI</u>	Depth control switch
14	2	<u>DC0009</u>	Depth control actuator
15	1	<u>STDSSB5</u>	Horn switch
16	2	<u>STD-TCP41F</u>	Female 4 Point Plug
17	1	<u>13609-3ASSM</u>	Ground speed proximity switch
17A	1	<u>13609-31</u>	Wheel Speed Sensor Resistor Cable
17B	1	<u>13609-3</u>	Ground Speed Sensor Cable
17C	1	<u>AK1-AP-3H</u>	Proximity Sensor
17D	1	<u>13609-3SRMNT</u>	SR Prox Switch MNT
18	1	<u>13608</u>	Run/Hold proximity switch wire and sensor (2')
19	1	<u>HA100</u>	Horn Assembly
20	1	<u>730-1020</u>	Horn
21	1	<u>1B014</u>	Horn Bracket
22	Per Ft	<u>WT16-4</u>	Cable
23	1	<u>31505</u>	5/16" RING TERMINAL
24	1	<u>31505</u>	5/16" RING TERMINAL
25	1	<u>FRA000-SR</u>	Frame Cord
26	2	<u>STD-TCP41M</u>	Male 4 Point Plug
27	1	<u>LB037-1</u>	Counter Cover
28	2	<u>KB100</u>	Cover Knob
29	1	<u>LB037</u>	Counter Mounting Cover
30	2	<u>37018</u>	1/4"-20 Gr2 Zinc Fin NE Steel Nylon Insert Lock Nut
31	4	<u>15105</u>	3/8"-16x1" Gr 8 Yellow Zinc Finish Hex Cap Screw
32	4	<u>33815</u>	3/8"x0.812" Thru-Hard Yel Zinc Fin SAE Flat Washer
33	4	<u>33893</u>	3/8" Yel Zinc Fin High Alloy Med Split Lock Washer
34	4	<u>36306</u>	3/8"-16 Zinc Finish Grade 5 Finished Hex Nut

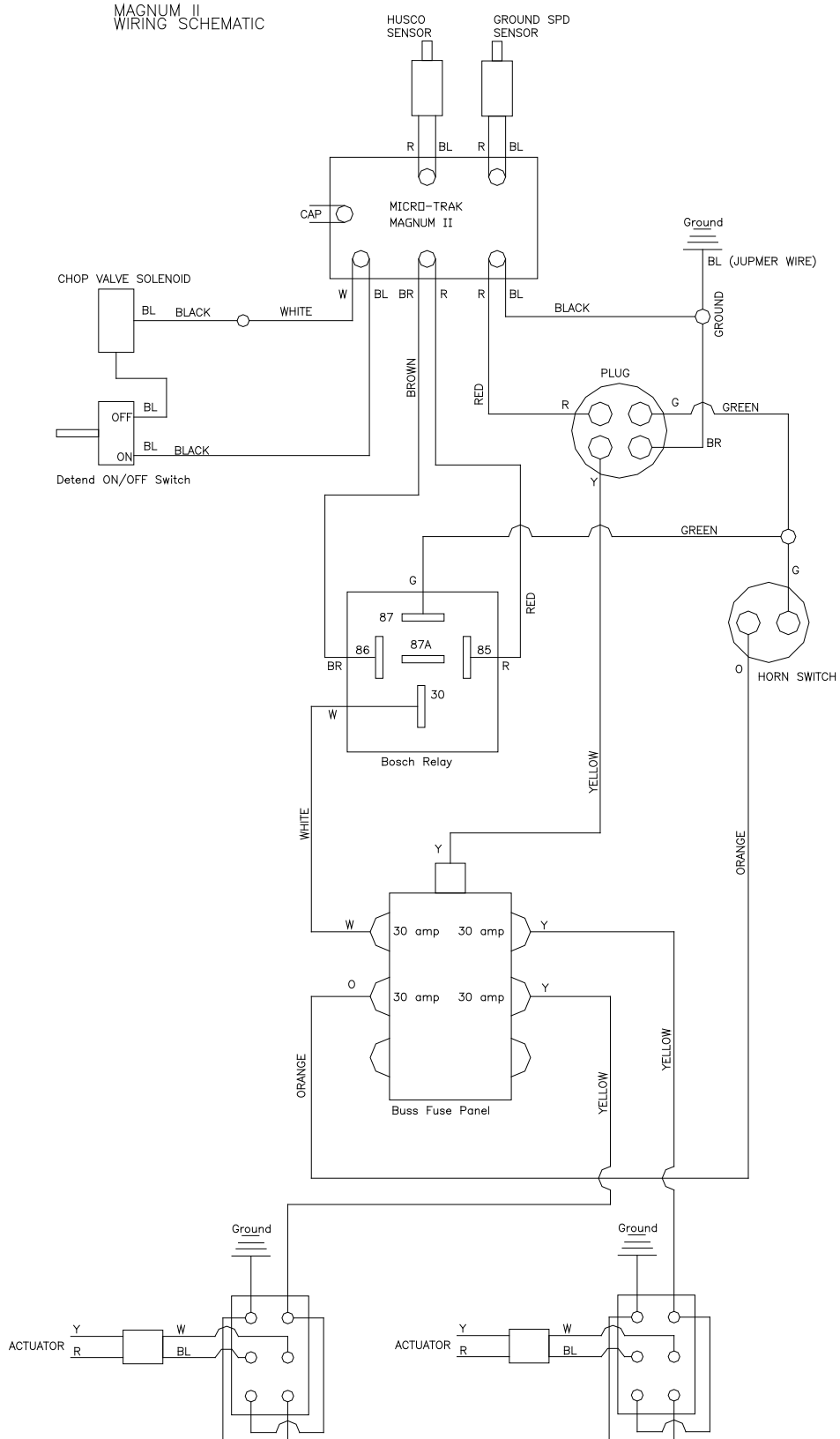


# ELECTRICAL COMPONENTS

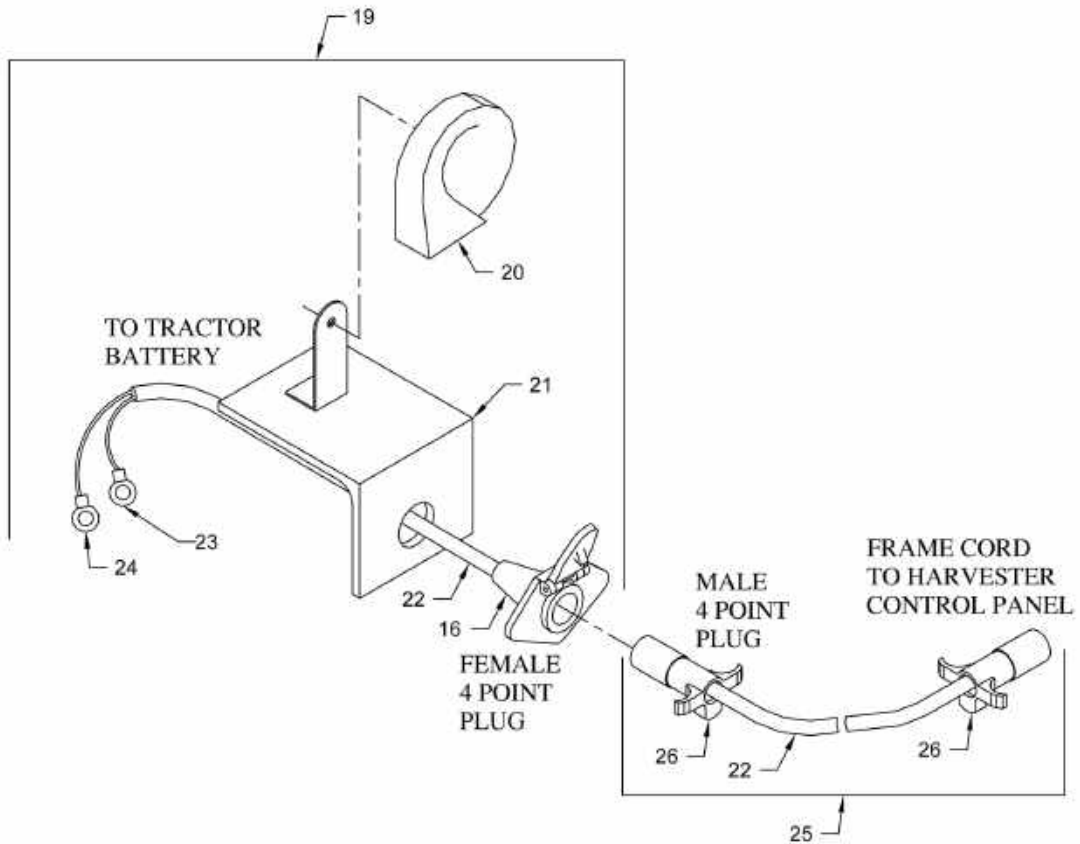


# ELECTRICAL COMPONENTS

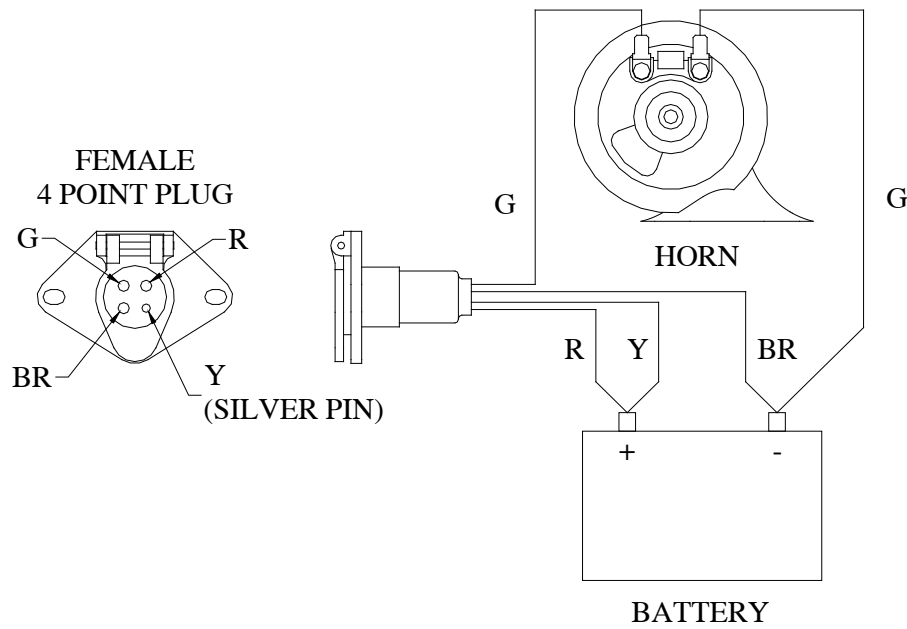
## SR HARVESTER WIRING SCHEMATIC



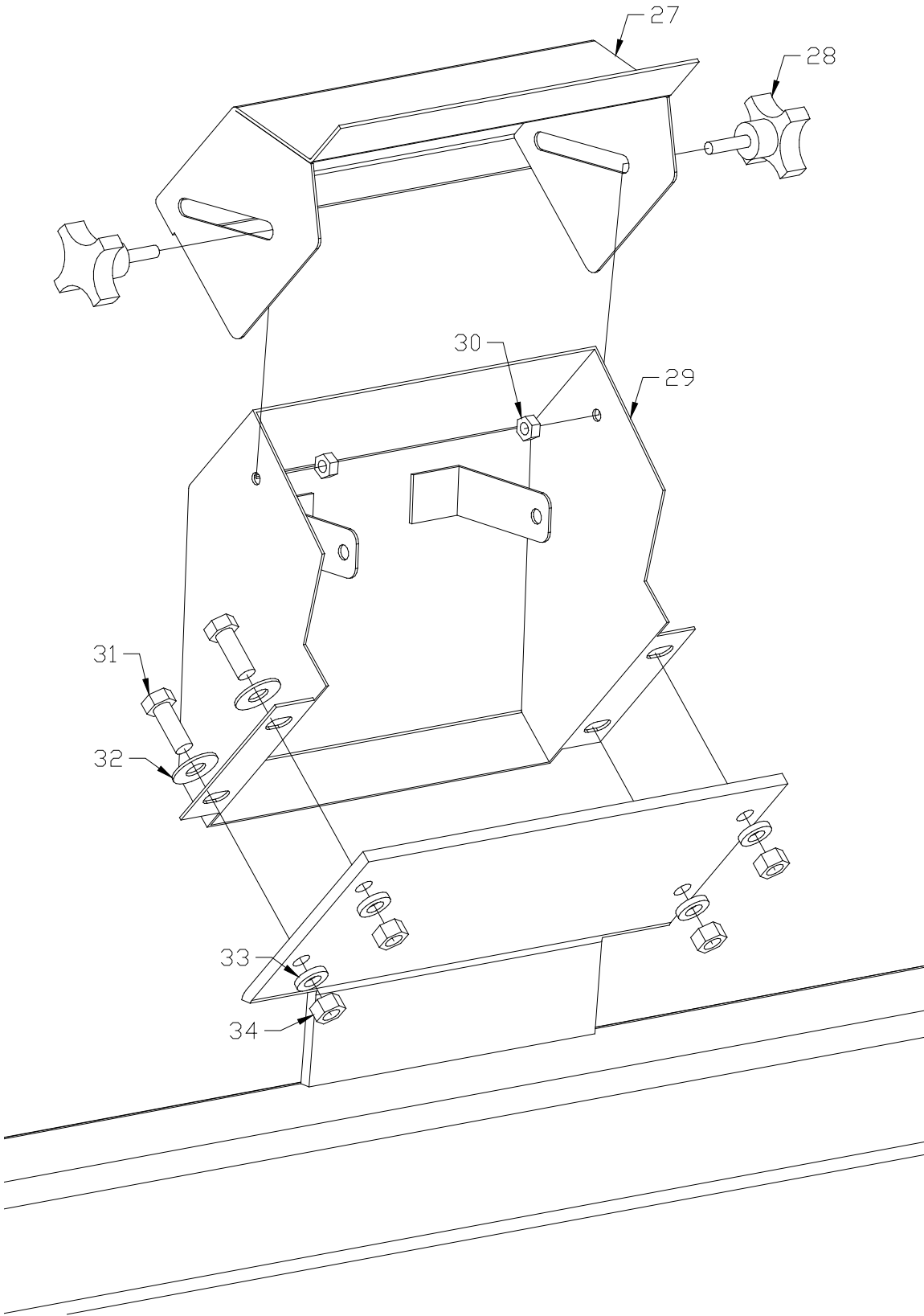
**HORN BRACKET / FRAME CORD**



**HORN BRACKET WIRING DIAGRAM**



**ELECTRICAL COMPONENTS**









PRINTED IN THE USA

PARTS MANUAL PN SRPRTMNL01-0



## **MAGNUM SR SOD HARVESTER TIPPER TRAILER PARTS MANUAL**

The purpose of this manual is for parts identification of the Magnum SR series sod harvester tipper trailer. This manual is not to be used for assembly. This manual includes parts lists and illustrations of all available replacement parts for the Magnum SR series sod harvester tipper trailer. A table of contents is placed at the beginning of the manual for location of specific parts. Keep this manual available for reference in the shop area.

At the time of publication all information contained in this manual was technically correct. However, all materials and specifications are subject to change without notice.

Comments and suggestions about this manual may be directed to: Bucyrus Equipment Co., Inc., PO Box 156-209 Main, Hillsdale, KS 66036. Phone 1-800-330-0857

©Copyright 2005 BECI. All information contained within this publication is based on the latest product information at the time of publication. Due to constant improvements in the design and quality of production components, some minor discrepancies may result between the actual vehicle and the information presented in this publication. Depictions and/or procedures in this publication are intended for reference use only. No liability can be accepted for omissions or inaccuracies. Any reprinting or reuse of the depictions and/or procedures contained within, whether whole or in part, is expressly prohibited. Printed in U.S.A.

## TABLE OF CONTENTS

**Section 1 ..... Pivot**

**Section 2 ..... Ramps**

**Section 3 ..... Crazy Wheel**

**Section 4 ..... Hydraulics**

## TIPPER PIVOT

<b>Parts List</b>			
<b>ITEM</b>	<b>QTY</b>	<b>PART NUMBER</b>	<b>DESCRIPTION</b>
1	1	480TTPV401 (early design)* <u>480TTPV401-2</u> (later heavy-duty design)*	Spindle
2	1	<u>DU002</u> (early design)* <u>DU002-2</u> (later heavy-duty design)*	Seal
3	1	<u>DU003</u> (early design)* <u>DU003-2</u> (later heavy-duty design)*	Inner bearing
4	1	<u>DU004</u> (early design)* <u>DU004-2</u> (later heavy-duty design)*	Hub
5	1	<u>DU005</u> (early design)* <u>DU003</u> (later heavy-duty design)*	Outer bearing
6	1	<u>DU006</u>	Washer
7	1	<u>DU007</u>	Spindle nut
	1	<u>DU007-2</u>	Spindle nut (later heavy-duty upgrade)
8	1	<u>DU008</u>	Dust cap
9	1	<u>480TTPV118</u>	Pivot sprocket
10	1	<u>60Hconlink</u>	Master link
11	4	<u>60H CHAIN</u>	Roller chain
12	4	<u>13210</u>	1/2"-13x1-3/4" Gr 5 Zinc Fin Cap Screw
13	4	<u>33012</u>	1/2" Zinc Finish USS Flat Washer
14	2	<u>480TTMF007</u>	Motor tensioner
15	4	<u>36210</u>	1/2"-13 Zinc Plated Hex Jam Nut
16	1	<u>60BS10HT1</u>	Sprocket
17	2	<u>13210</u>	1/2"-13x1-3/4" Gr 5 Zinc Fin Cap Screw
18	1	<u>480TTMF017</u>	Motor bracket
19	4	<u>33895</u>	1/2" Yel Zinc Hi Alloy Med Split Lock Washer
20	4	<u>36310</u>	1/2"-13 Zinc Finish Grade 5 Finished Hex Nut
21	1	1 1/2KEYSTOCK	Square key
22	1	<u>DS200-X</u>	Hydraulic motor
23	2	<u>33895</u>	1/2" Yel Zinc Hi Alloy Med Split Lock Washer
24	2	<u>36310</u>	1/2"-13 Zinc Finish Grade 5 Finished Hex Nut
25	1	<u>480TTMF013</u>	Shield plate
26	6	<u>33859</u>	3/8" Yel Zinc Fin USS Thru-Hard Flat Washer
27	6	<u>33893</u>	3/8" Zinc Fin Hi Alloy Med Split Lock Washer
28	6	<u>36306</u>	3/8"-16 Zinc Finish Grade 5 Finished Hex Nut
29	8	<u>33819</u>	5/8" x 1.312" Thru-Hard Zinc SAE Flat Washer
30	8	<u>18960</u>	5/8"-18 x 2" Gr8 Yel Zinc Fin Hex Cap Screw
31	8	<u>36366</u>	3/4"-16 Zinc Finish Grade 5 Finished Hex Nut
32	8	<u>33820</u>	3/4" Thru-Hard Yel Zinc Fin SAE Flat Washer
33	4	<u>13209</u>	1/2"-13x1-1/2" Zinc SAE J429 Gr5 Cap Screw
34	8	<u>33012</u>	1/2" Zinc Finish USS Flat Washer
35	1	<u>480TTMF400</u> (early design) <u>265-4023</u> (late design)	Rear bumper ( <b>OBSOLETE</b> See Item 77)
36	4	<u>33895</u>	1/2" Yel Zinc Hi Alloy Med Split Lock Washer
37	4	<u>36310</u>	1/2"-13 Zinc Finish Grade 5 Finished Hex Nut
38	1	<u>9546K55</u>	Front bumper



## TIPPER PIVOT

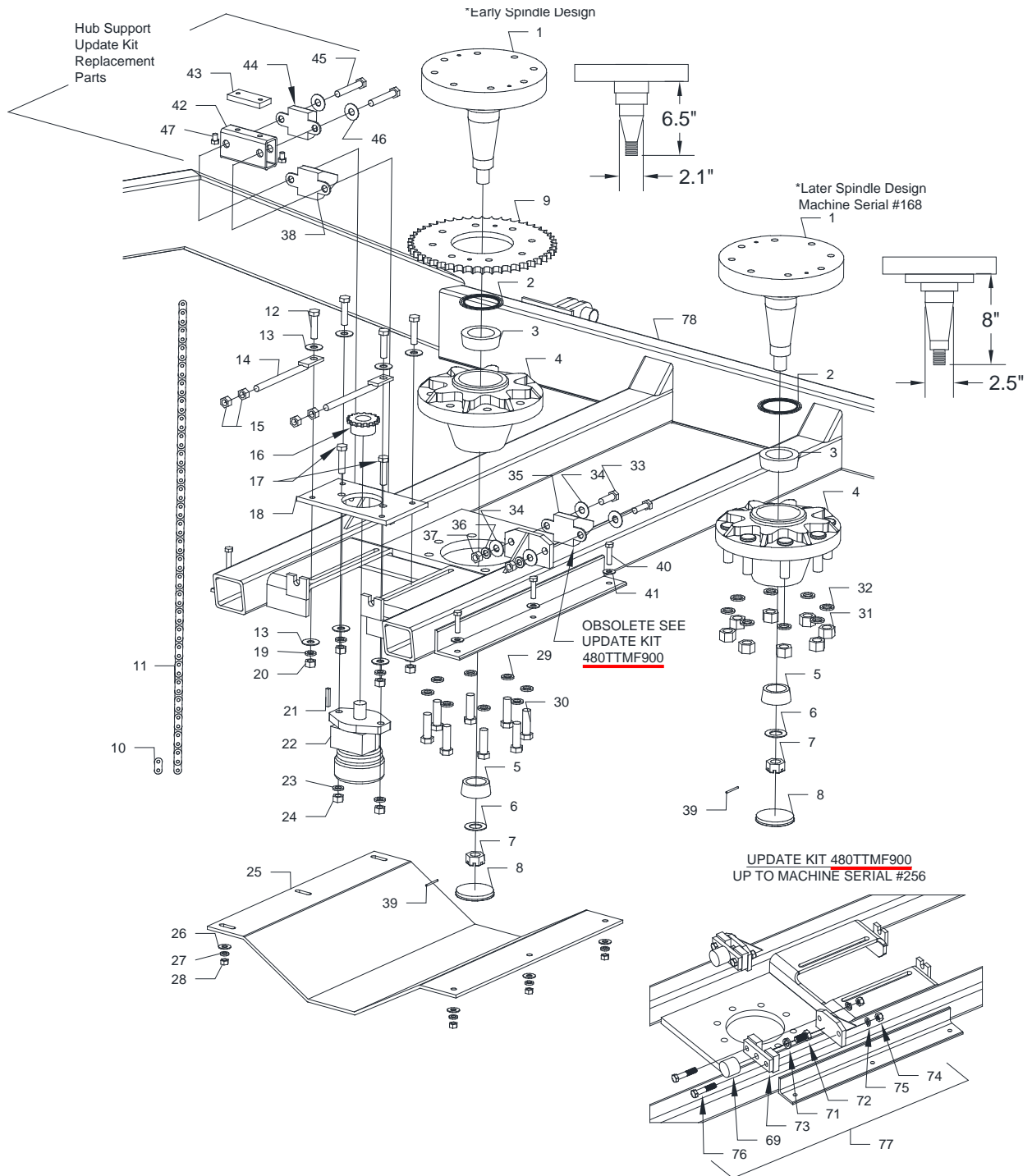
<b>Parts List</b>			
<b>ITEM</b>	<b>QTY</b>	<b>PART NUMBER</b>	<b>DESCRIPTION</b>
39	1	<u>P401902</u>	7/32" X 1 3/4" COTTER PIN
40	6	<u>13107</u>	3/8"-16x1-1/4"Zinc SAE <u>J429</u> Gr5 Cap Screw
41	6	<u>33859</u>	3/8" Yel Zinc Fin USS Thru-Hard Flat Washer
42	1	<u>480TTMF201</u>	Hub Support Block
43	1	<u>136-900105</u>	Hub Support Wear Pad
44	1	<u>9546K55</u>	Hub Support Bumper
45	2	<u>13215</u>	1/2"-13x3" Zinc Fin SAE <u>J429</u> Gr5 Cap Screw
46	2	<u>33012</u>	1/2" Zinc Finish USS Flat Washer
47	2	<u>13103</u>	3/8"-16x3/4" Gr 5 Zinc Finish Hex Cap Screw
48	1	<u>480TTTT100</u>	Platform
49	2	<u>480TTTT010</u>	Spacer
50	2	<u>P7729</u>	Clevis pin
51	4	<u>65124</u>	Cotter pin
52	8	<u>13217</u>	1/2"-13x3-1/2" Gr5 Zinc Fin Hex Cap Screw
53	8	<u>33012</u>	1/2" Zinc Finish USS Flat Washer
54	8	<u>33895</u>	1/2" Zinc Fin Hi Alloy Med Split Lock Washer
55	8	<u>36310</u>	1/2"-13 Zinc Finish Grade 5 Finished Hex Nut
56	2	<u>100075100</u>	Steel Spring Bushing
57	4	<u>100075075</u>	Steel Spring Bushing
58	4	<u>33820</u>	SAE 3/4 WASHER
59	2	<u>SC219</u>	Clevis pin
60	4	<u>36314</u>	5/8"-11 Zinc Finish Grade 5 Finished Hex Nut
61	4	<u>33897</u>	5/8" Zinc Fin Hi Alloy Med Split Lock Washer
62	4	<u>33819</u>	5/8" Thru-Hard Yel Zinc Fin SAE Flat Washer
63	4	<u>13313</u>	5/8"-11x2-1/2" Gr 5 Zinc Fin Hex Cap Screw
64	2	<u>PB112-BECI</u>	Pillow block bearing
65	1	<u>480TTPV100</u>	Pivot
66	2	<u>SC118</u>	Split collar
67	2	<u>H0007</u>	Hydraulic cylinder
68	1	<u>480TTPV000</u>	Cylinder Replacement Pin
69	2	<u>9546K55</u>	Bumper, Polyurethane
70	2	<u>33863</u>	5/8" Flat washer
71	2	<u>33897</u>	5/8" Lock washer
72	2	<u>15307</u>	5/8"-11 x 1 1/4" Cap screw, GRADE 8
73	2	<u>480TTMF901</u>	Tipper Bumper Adapter
74	4	<u>36310</u>	1/2"-13 Nut
75	4	<u>33895</u>	1/2" Lock Washer
76	4	<u>13213</u>	1/2"-13 x 2 1/2" Cap screw
77	2	<u>480TTMF900</u>	Tipper Bumper Adapter Assembly (Includes items 69 thru 76)
78	1	<u>480TTMF100</u>	SR TIPPER MAIN FRAME
<b>Repair Kit</b>			
	2	<u>1C4244</u>	Repair Kit for H0007

**NOTE\* SR UNIT SERIAL #168 AND ABOVE ARE THE LATER SPINDLE DESIGN SHOWN ON THE FOLLOWING PAGE, UNLESS UNIT HAS BEEN UPGRADED.**



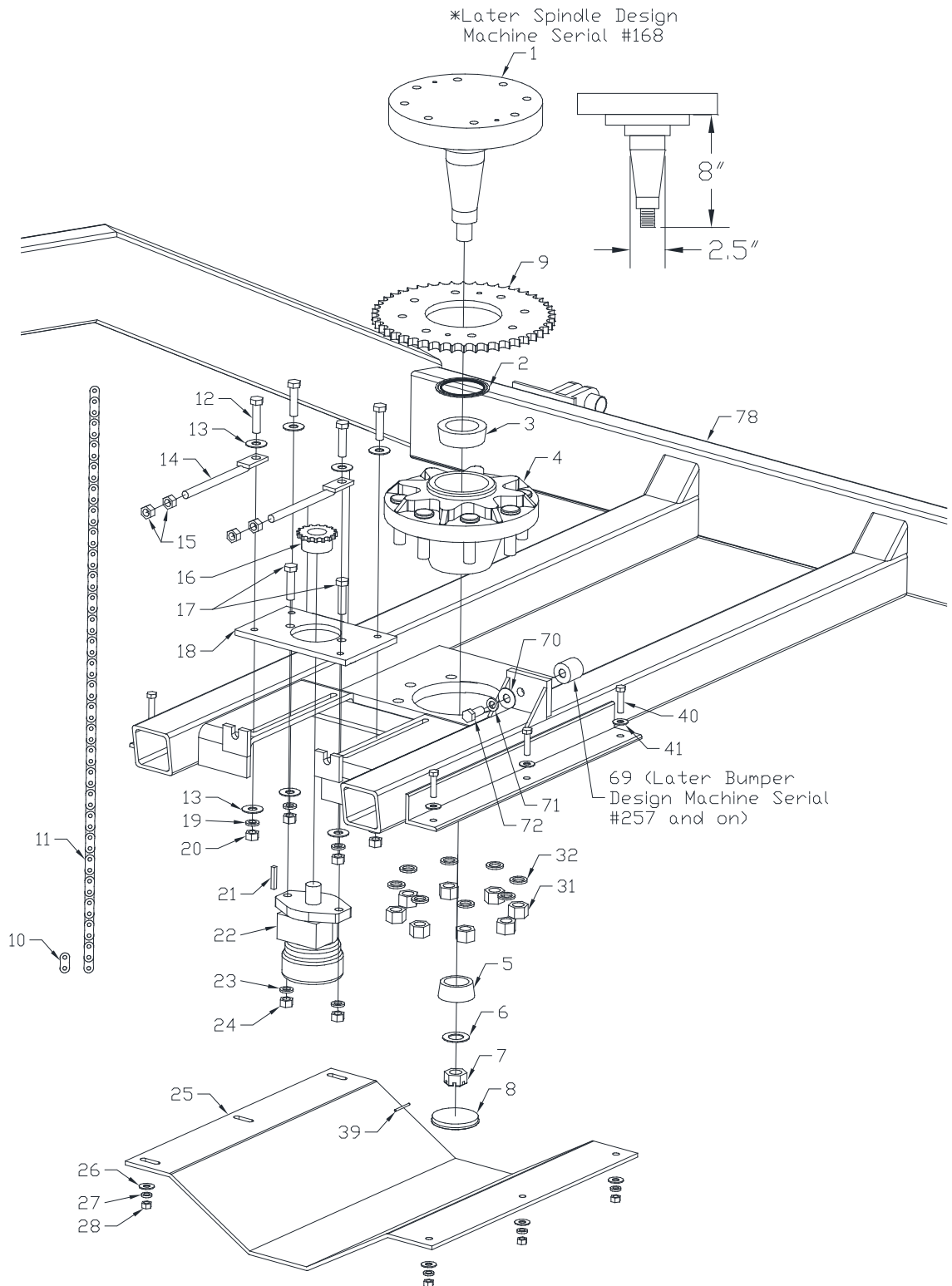
# TIPPER PIVOT

## Version 1

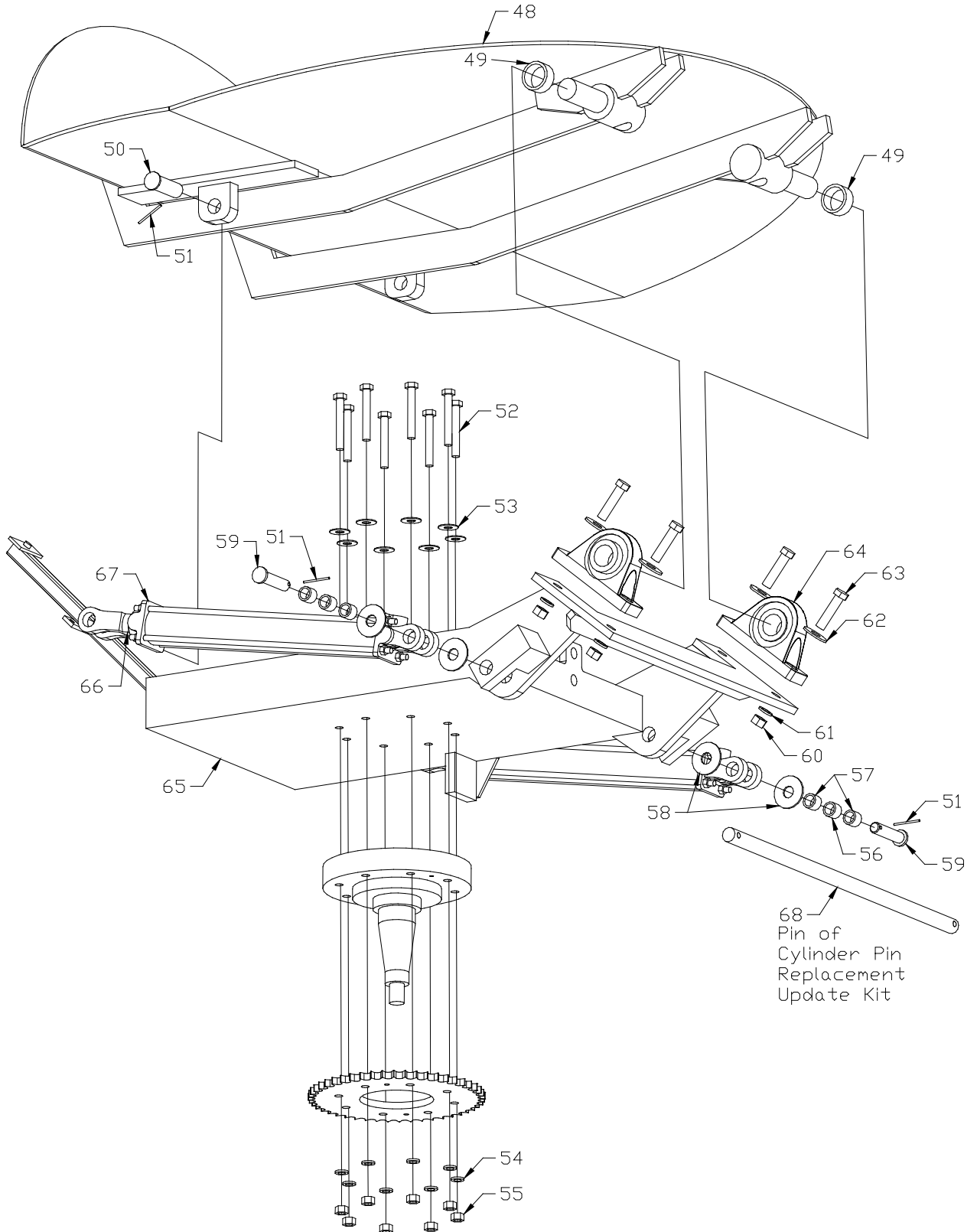


# TIPPER PIVOT

## Version 2



# TIPPER PIVOT



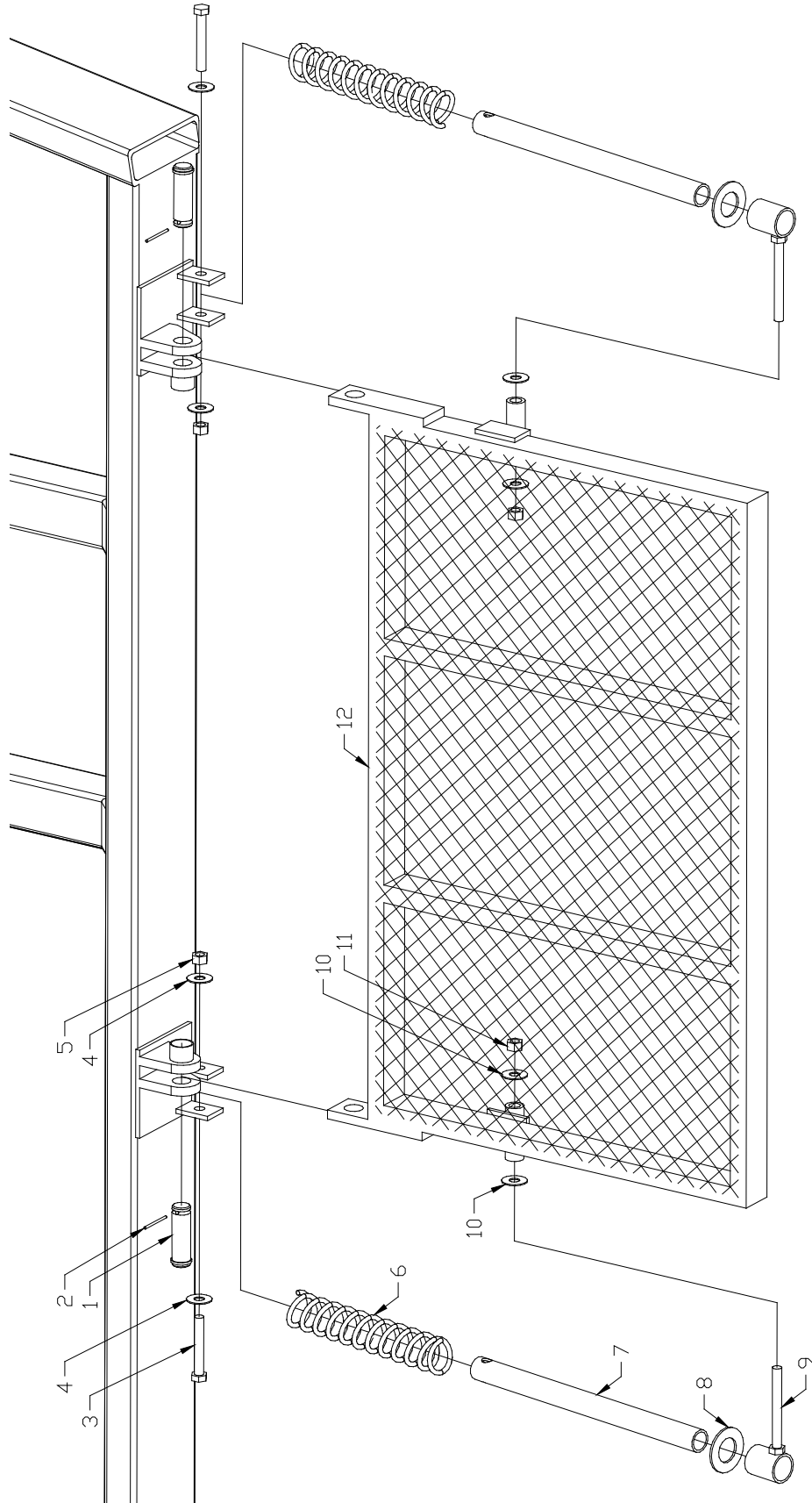


## TIPPER RAMPS

Parts List			
ITEM	QTY	PART NUMBER	DESCRIPTION
1	4	P7729	Clevis pin
2	4	<u>65124</u>	3/16 X 1 1/4 Cotter Pin
3	4	<u>13217</u>	1/2"-13x3-1/2" Gr5 Zinc Cap Screw
4	8	<u>33012</u>	1/2" Zinc Finish USS Flat Washer
5	4	<u>37268</u>	1/2"-13 Zinc Finish Grade C Top Lock Nut
6	4	200X3125.10	Spring
7	4	<u>480TTRP008</u>	Spring rod
8	4	<u>33530</u>	2 1/2" OD X 1 3/8" ID FLAT WASHER
9	4	<u>480TTRP007</u>	Pivot sleeve
10	8	33012	1/2" Zinc Finish USS Flat Washer
11	4	37268	1/2" Zinc Finish USS Flat Washer
12	2	<u>480TTRP100</u>	Ramp



# TIPPER RAMPS



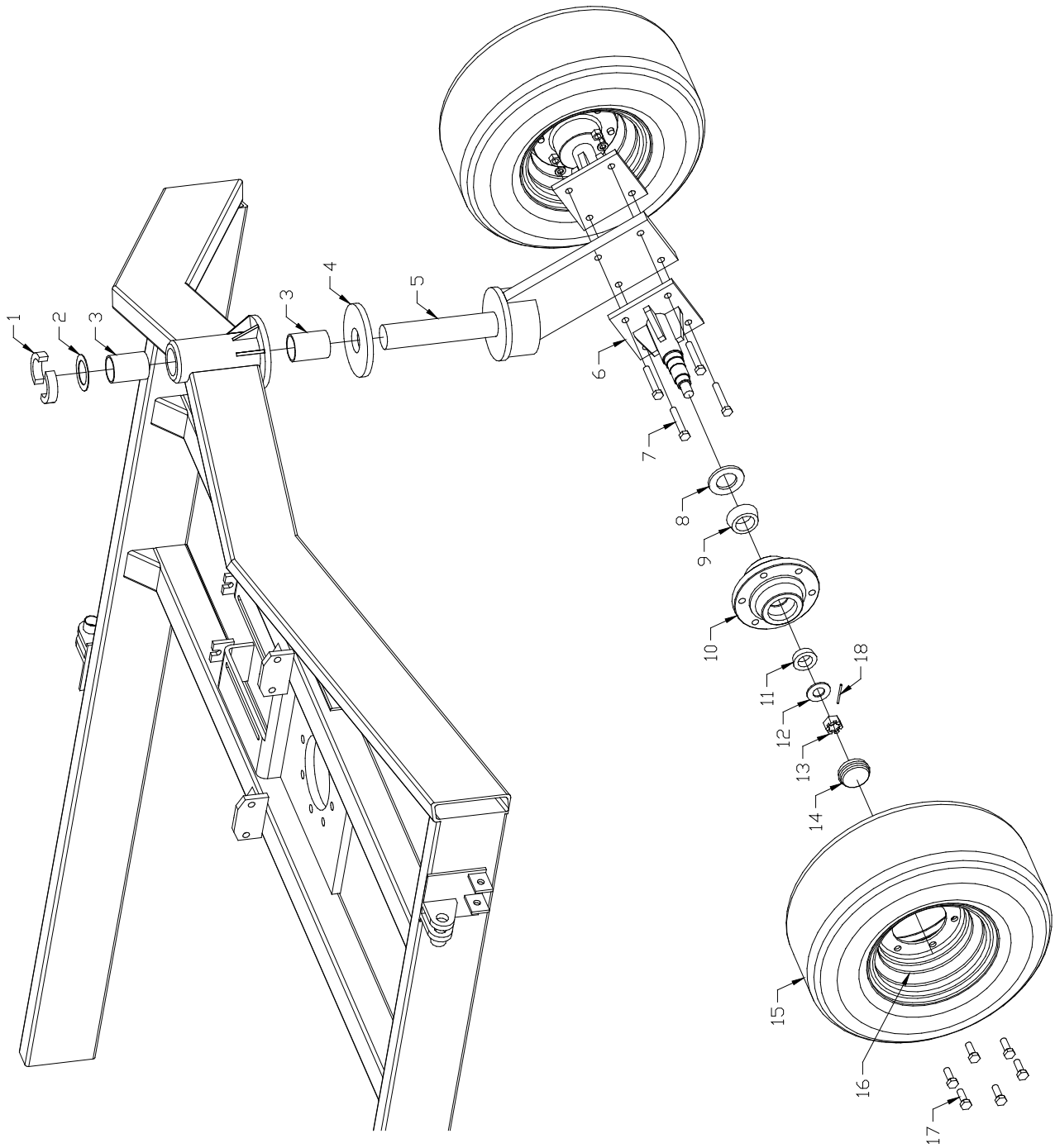


## TIPPER CRAZY WHEEL

<b>Parts List</b>			
<b>ITEM</b>	<b>QTY</b>	<b>PART NUMBER</b>	<b>DESCRIPTION</b>
1	1	<u>2C-200</u>	Split collar
2	1	<u>33495</u>	Washer
3	2	<u>EP3236-48</u>	Bushing
4	2	<u>480TTCW004</u>	Bearing plate
5	1	<u>480TTCW100</u>	Pivot spindle
6	1	<u>W888A</u>	Spindle
7	2	<u>13217</u>	1/2"-13 x 3-1/2" Grade 5 Zinc Finish Hex Cap Screw
8	8	<u>W001</u>	Seal
9	2	<u>W002</u>	Inner bearing
10	2	<u>W003</u>	Hub
11	2	<u>W004</u>	Outer bearing
12	2	<u>W005</u>	Washer
13	2	<u>W006</u>	Spindle nut
14	2	<u>W007</u>	Dust cap
15	2	<u>10N95</u>	Tire, <u>20.5X8.0</u>
16	2	<u>10X6RIM</u>	Rim
17	2	<u>12LUG</u>	1/2" Lug bolt
18	12	<u>65125</u>	Cotter Pin
<b>Repair Kits</b>			
	1	<u>W888</u>	Complete hub and spindle assy. for tipper pivot wheel (includes items 6 & 8-14)



# TIPPER CRAZY WHEEL





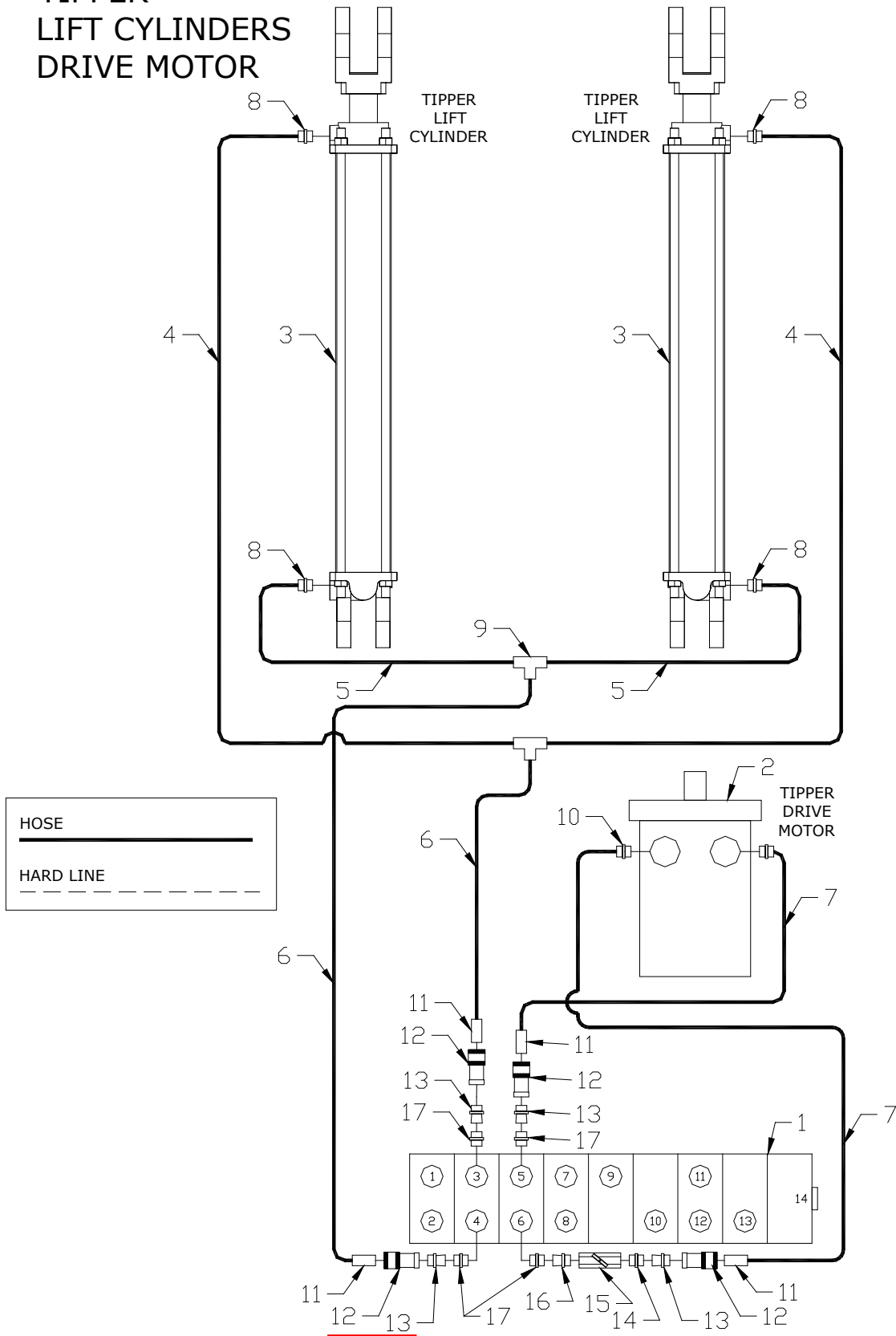
## TIPPER HYDRAULICS

<b>Parts List</b>			
<b>ITEM</b>	<b>QTY</b>	<b>PART NUMBER</b>	<b>DESCRIPTION</b>
1	1	<u>CVA-1417 Kit</u>	Selector valve assembly (includes two relief valves and handles)
2	1	<u>DS200-X</u>	Hydraulic Motor
3	2	<u>H0007</u>	Hydraulic Cylinder
4	2	<u>HSRT-1</u>	Hose Assy.
5	2	<u>HSRT-2</u>	Hose Assy.
6	2	<u>HSRT-3</u>	Hose Assy.
7	2	<u>HSRT-4</u>	Hose Assy.
8	4	<u>2404-08-06</u>	Fitting
9	2	<u>FG2703-LN-8</u>	T Fitting
10	2	<u>6400-06-10</u>	Fitting
11	4	<u>FF-38-M</u>	Quick Coupling, Male
12	4	<u>FF-38-F</u>	Quick Coupling, Female
13	4	<u>6505-06-06</u>	Fitting
14	1	<u>2404-06-04</u>	Fitting
15	1	<u>N20S</u>	Needle Valve
16	1	<u>6505-06-04</u>	Fitting
17	4	<u>6400-08-06</u>	Fitting



# TIPPER HYDRAULICS

## TIPPER LIFT CYLINDERS DRIVE MOTOR









PRINTED IN THE USA

PARTS MANUAL PN SRMANUAL